

ÍNDICE

SISTEMA ALIMENTACIÓN Y FILTRACIÓN	PÁG
BOMBAS DE COMBUSTIBLES	48
BOMBAS DE COMBUSTIBLE ELÉCTRICAS	171
CABLES ACELERADOR	170
CARBURADORES	162
COMPONENTES CARBURADOR	168
CONECTORES Y MANGUERAS COMBUSTIBLE	48
FILTROS DE ACEITE	53
FILTROS COMBUSTIBLE Y BRACKETS	49
JUNTAS BOMBAS COMBUSTIBLE	173
JUNTAS CARBURADOR	165
KIT DE CARBURADOR	166
MEMBRANAS BOMBAS COMBUSTIBLE	172
VARILLA ACELERADOR	164
SISTEMA ELÉCTRICO	PÁG
CDI	68
DESCONECTADORES DE SEGURIDAD	73
MOTORES DE ARRANQUE	63
MOTORES DE TRIM, TILT Y POWER TRIM	66
REGULADORES Y RECTIFICADORES	67
SENSORES	74
SOLENOIDES Y RELÉS	65
SISTEMA DE ENCENDIDO	PÁG
BOBINAS	70
BUJIAS CHAMPION	74
BUJIAS NGK	75
CAJAS NEGRAS	69
LLAVES DE ARRANQUE	74
STATORS	68
SISTEMA DE REFRIGERACIÓN	PÁG
COMPONENTES BOMBA DE AGUA	259
CUERPOS BOMBA DE AGUA	258
GUIA BOMBAS DE AGUA (2 TIEMPOS)	255
GUIA BOMBAS DE AGUA (4 TIEMPOS)	254
IMPULSORES	231
JUNTAS DE TERMOSTATO	174
JUNTAS TAPA REFRIGERACIÓN	152
KIT REPARACIÓN BOMBA DE AGUA	260
TERMOSTATOS	173
PARTES DE MOTOR	PÁG
DESPIECE DE MOTOR (4 TIEMPOS)	76
DESPIECE DE MOTOR (2 TIEMPOS)	98
GUIA APLICACIÓN DE BIELAS (2 / 4 TIEMPOS)	139
GUIA APLICACIÓN CIGÜEÑAL (2 TIEMPOS)	138
GUIA APLICACIÓN CIGÜEÑAL (4 TIEMPOS)	139
GUIA APLICACIÓN JUNTAS DE MOTOR (2 TIEMPOS)	150
GUIA APLICACIÓN JUNTAS DE MOTOR (4 TIEMPOS)	151
GUIA APLICACIÓN PISTONES Y SEGMENTOS (2 T)	131
GUIA APLICACIÓN PISTONES Y SEGMENTOS (4 T)	134
GUIA RODAMIENTOS MOTOR	135
JUNTAS BASE DE MOTOR (2 TIEMPOS)	148
JUNTAS BASE DE MOTOR (4 TIEMPOS)	149
JUNTAS COLECTOR Y CARTER	158
JUNTAS CULATÍN	157
JUNTAS DE CULATA (2 TIEMPOS)	142
JUNTAS DE CULATA (4 TIEMPOS)	144
JUNTAS ESCAPE	160
JUNTAS SISTEMA DE ADMISIÓN	154
KIT DE JUNTAS (2 TIEMPOS)	145
KIT DE JUNTAS (4 TIEMPOS)	148
PISTONES, AROS, RODAMIENTOS Y BULONES (4 T)	128
PISTONES, AROS, RODAMIENTOS Y BULONES (2 T)	129
COLAS Y COMPONENTES	PÁG
ÁNODOS ZINC, ALUMINIO Y MAGNESIO	54
COLAS COMPLETAS (2 Y 4 TIEMPOS)	175
DESPIECE COLAS (4 TIEMPOS)	178
DESPIECE COLAS (2 TIEMPOS)	190
KIT DE JUNTAS Y RETENES	233
GUIA APLICACIÓN PIEZAS COLAS	237
GUIA APLICACIÓN RODAMIENTOS COLA	244
SILENBLOCKS	232
HANDLE	232
MANETAS	231
BUJES	232
HÉLICES Y GUIA DE APLICACIÓN	263

TABLE OF CONTENTS

FUEL & FILTRATION SYSTEM	PAGE
PRIMER FUEL PUMP	48
ELECTRIC FUEL PUMP	171
THROTTLE CABLE	170
CARBURETOR	162
CARBURETOR COMPONENTS	168
HOSES & FUEL FITTINGS	48
OIL FILTERS	53
FUEL FILTERS & BRACKETS	49
GASKETS FUEL PUMP	173
CARBURETOR GASKET	165
CARBURETOR KIT	166
DIAFRAGM FUEL PUMP	172
ROD ACCELERATOR LEVER	164
ELECTRIC SYSTEM	PAGE
CDI	68
CUT OFF SWITCHES	73
STARTERS	63
TRIM, TILT & POWER TRIM	66
REGULATOR & RECTIFIERS	67
OXIGEN SENSOR	74
SOLENOIDS & RELAYS	65
IGNITION SYSTEM	PAGE
COILS	70
CHAMPION SPARK PLUGS	74
NGK SPARK PLUGS	75
POWER PACKS	69
IGNITION STARTER SWITCH	74
STARTOR	68
COOLING SYSTEM	PAGE
WATER PUMP COMPONENTS	259
WATER PUMP HOUSING	258
WATER PUMP GUIDE (2 STROKE)	255
WATER PUMP GUIDE (4 STROKE)	254
IMPELLERS	231
THERMOSTAT GASKET	174
GASKET,EXHAUST INNER COVER	152
WATER PUMP SERVICE KITS	260
THERMOSTATS	173
ENGINE PARTS	PAGE
ENGINES PARTS (4 STROKE)	76
ENGINE PARTS (2 STROKE)	98
GUIDE, APLICATION CONNECTING ROD (2 & 4 STROKE)	139
GUIDE APLICATION CRANKSHAFT (2 STROKE)	138
GUIDE, APLICATION CRANKSHAFT (4 STROKE)	139
GUIDE, APLICATION CRANKSHAFT (2 STROKE)	150
GUIDE, APLICATION GASKET KITS (4 STROKE)	151
PISTONS & RINGS APLICATION GUIDE (2 STROKE)	134
PISTONS & INGS APLICATION GUIDE (4 STROKE)	134
GUIDE, APLICATION ENGINE BEARING	135
GASKET CYLINDER (2 STROKE)	148
GASKET CYLINDER (4 STROKE))	149
GASKETS UPPER CASING, OIL PAN, MANIFOLDS	158
GASKETS, HEAD COVER	157
GASKET CYLINDER HEAD (2 STROKE)	142
GASKET CYLINDER HEAD (4 STROKE)	144
EXHAUST GASKET	160
GASKETS INTAKE SYSTEM	154
GASKET KIT (2 STROKE)	145
GASKET KIT (4 STROKE)	148
PISTONS, RINGS, PINS & BEARINGS (4 STROKE)	128
PISTONS, RINGS, PINS & BEARINGS (2 STROKE)	129
UNIT DRIVES & COMPONENTS	PAGE
ZINC,ALUMINIUM & MAGNESIUM ANODES	54
COMPLETE GEARCASE ASSEMBLY (2 & 4 STROKES)	175
GEARCASE COMPONENTS (4 STROKE)	178
GEARCASE COMPONENTS (2 STROKE)	190
GASKET & SEAL KITS	233
GUIDE, APLICATION STERN DRIVE COMPONENTS	237
GUIDE, APLICATION STERN DRIVE BEARINGS	244
SILENBLOCKS	232
HANDLE	232
STARTER HANDLE	231
BUSHINGS	232
PROPELLERS & APLICATION GUIDE	263

INDICE

SISTEMA DI ALIMENTAZIONE E FILTRAZIONE	PAGINA
POMPE BENZINA MANUALE	48
POMPE ELETTRICHE DI CARBURANTE	171
CAVO ACCELERATORE	170
CARBURATORI	162
COMPONENTI CARBURATORE	168
ATTACCO E TUBO BENZINA	48
FILTRI OLIO	53
FILTRO COMBUSTIBILE E BRACKETS	49
GUARNIZIONI POMPA BENZINA	173
GUARNIZIONI CARBURATORE	165
KIT CARBURATORE	166
MEMBRANA POMPA BENZINA	172
ASTA ACCELERATORE	164
SISTEMA ELETTRICO	PAGINA
CDI	68
CHIAVETTA DI SICUREZZA	73
MOTORINI AVVIAMENTO	63
MOTORINI TRIM E TRIM POWER	66
REGOLATORI E RADRIZZATORI	67
SENSORI OSSIGENO	74
SOLENOIDI E RELE	65
SISTEMA DI ACCENSIONE	PAGINA
BOBINE	70
CANDELE CHAMPION	74
CANDELE NGK	75
CENTRALINE	69
CHIAVI DI ACCENSIONE	74
STARTORI	68
SISTEMA DI RAFFREDDAMENTO	PAGINA
COMPONENTI POMPA ACQUA	259
CORPI POMPA ACQUA	258
GUIDA POMPA ACQUA (2 TEMPI)	255
GUIDA POMPA ACQUA (4 TEMPI)	254
GIRANTE	231
GUARNIZIONI TERMOSTATO	174
GUARNIZIONE COPERCHIO REFRIGERAZIONE	152
KIT RICAMBI POMPA ACQUA	260
TERMOSTATO	173
PARTI DEL MOTORE	PAGINA
PARTI DEL MOTORE (4 TEMPI)	76
PARTI DEL MOTORE (2 TEMPI)	98
GUIDA BIELLE (2 E 4 TEMPI)	139
GUIDA ALBERO MOTORE (2 TEMPI)	138
GUIDA ALBERO MOTORE (4 TEMPI)	139
GUIDA GUARNIZIONE MOTORE (2 TEMPI)	150
GUIDA GUARNIZIONE MOTORE (4 TEMPI)	151
GUIDA PISTONI E FASCE (2 TEMPI)	134
GUIDA PISTONI E FASCE (4 TEMPI)	134
GUIDA CUSCINETTI MOTORE	135
GUARNIZIONI BASE MOTORI (2 TEMPI)	148
GUARNIZIONI BASE MOTORI (4 TEMPI)	149
GUARNIZIONE COLLETTORE E CARTER	158
GUARNIZIONE TESTATA	157
GUARNIZIONE TESTATA (2 TEMPI)	142
GUARNIZIONE TESTATA (4 TEMPI)	144
GUARNIZIONE SCARICO	160
GUARNIZIONE SISTEMA ASPIRAZIONE	154
KIT GUARNIZIONE (2 TEMPI)	145
KIT GUARNIZIONE (4 TEMPI)	148
PISTONI, FASCE, BULLONI E CUSCINETTI (4 TEMPI)	128
PISTONI, FASCE, BULLONI E CUSCINETTI (2 TEMPI)	129
PIEDI E COMPONENTI	PAGINA
ANODI ZINCO, ALLUMINIO E MAGNESIO	54
PIEDI COMPLETI	175
COMPONENTI PIEDE (4 TEMPI)	178
COMPONENTI PIEDE (2 TEMPI)	190
KIT GUARNIZIONI E TENUTE	233
GUIDA RICAMBI PIEDI	237
GUIDA CUSCINETTI TRASMISSIONE	244
SILENBLOCKS	232
MANIGLIA	232
MANIGLIA DI AVVIAMENTO	231
BOCCOLE	232
ELICHE E GUIDA APPLICAZIONE	263

CONECTORES COMBUSTIBLE FUEL FITTINGS ATTACCHI BENZINA

MANGUERA DE COMBUSTIBLE FUEL HOSE TUBO BENZINA

Ref.	Ø Int	Largo Lengh Long	Envase Pack Pn
TRI305-0566	5/16" = 7,92 mm.	15 m	Caja / Box / Cassa
TRI305-0386	3/8" = 9,53 mm.	15 m.	Caja / Box / Cassa



Manguera «Trident» para líneas de combustible. Con refuerzo termoplástico que le permite excelente flexibilidad y resistencia a los rayos UV. Color gris. Resistente al alcohol. **Especialmente indicado para motores fueraborda.** Cumple las normas: SAEJ1527, ISO-8469 Tipo B1 y Certificación CE.

Garantía: 3 años

Marine fuel hose (distribution and vent) **for outboards.** Fuel resistant thermo-plastic formulation with 2 spiral reinforcement provides excellent bendability and resistance to UV, aging and permeation by all marine fuels (gasoline/petrol and diesel) including alcohol blends.

Meets or exceeds: SAEJ1527, ISO-8469 Tipo B1 & Certification CE.

Warranty: 3 years

Tubo «Trident» per linea combustibile. Con rinforzo termoplastico che gli permette un'eccellente flessibilità e resistenza ai raggi UV. Colore grigio. Resistente ai solventi. **Indicato per i motori fuoribordo.**

Conforme alla norma: SAEJ1527, ISO-8469 Tipo B1 e Certificazione CE.

Garanzia: 3 anni

BOMBA DE COMBUSTIBLE PRIMER BULB POMPA BENZINA

Ref.	Manguera Hose Tubo	Envase Pack Qnt
GS31090	5/16"	1 x blister
GS31095	3/8"	1 x blister
GS31187	1/4"	1 x blister
CEF500621	8 mm	1 x bolsa / bag / borsa



GOLDENSHIP

Universal / Universale
GS31090 - GS31095- GS31187

Fabricada con elastómeros termoplásticos inyectados, resistentes al alcohol y rayos UV.

Premium quality bulb resistance to alcohol as well as UV and ozone.

Fabbricata con elastomero termoplastico, resistente ai solventi e ai raggi UV.

cef



CEF500621

LÍNEA DE COMBUSTIBLE FUEL LINE ASSEMBLY TUBO CARBURANTE

Ref.	R.O. OEM	Manguera Hose Tubo	Envase (x bolsa) Pack (x bag) Qnt (x borsa)
GS31189		3/8"	1

GOLDENSHIP



Bomba GS31188.

Con 2 m de manguera resistente al alcohol.

Primer GS31188. With 2 m alcohol resistant hose.

Pompa GS31188 con 2 m di tubo resistente ai solventi.

Ref.	R.O. OEM	Manguera Hose Tubo	Envase (x bolsa) Pack (x bag) Qnt (x borsa)
GS31096		5/16"	1
GS31097		3/8"	1
GS31099		8 mm	1
SIE18-8013		5/16"	1
SIE18-8015		3/8"	1
CEF500600		8 mm	1

Universal. Con 2 m de manguera resistente al alcohol.

Universal. With 2 m alcohol resistant hose.

Universale con 2 m di tubo resistente ai solventi.

GOLDENSHIP



GS31096 - GS31097



GOLDENSHIP

GS31099



Sierra

SIE18-8013, SIE18-8015



cef
CEF500600

PASAMAMPAROS THRU HULL PASSASCAFO

Ref.	R.O. OEM	Manguera Hose Tubo	Envase (x blister) Pack (x blister) Qty (x blister)
GS31064		3/8"	1

GOLDENSHIP



Para atravesar mamparos de hasta 12mm. Fabricado en latón.
For bulkhead up to 12 mm. Made in machined brass.
Per attraversare paratie fino a 12mm. Fabricato in ottone.

CONECTORES / CONNECTOR / ATTACCO

Ref.	Rosca Thread Passo	Envase (x blister) Pack (x skinpack) Qty (x Blister)
GS31068	1/4" NPT	1

CODO DEPOSITO

Fabricado en latón.
TANK ELBOW

Made in machined brass.
GOMITO SERBATOIO

Fabbricato in ottone.

GOLDENSHIP



Ref.	Rosca Thread Passo	Envase (x blister) Pack (x skinpack) Qty (x Blister)
GS31069	1/4" NPT	1

CONECTOR "T"

Para conectar dos motores a un sólo depósito,
o viceversa. Fabricado en latón.

CONNECTOR "T"

To connect two motors to a single deposit, or
vice versa. Made in machined brass.

CONNETTORE "T"

Per collegare due motori ad un solo serbatoio,
o viceversa. Fabricato in ottone.

GOLDENSHIP



CONECTOR COMBUSTIBLE FUEL CONNECTOR ATTACCO COMBUSTIBILE

Ref.	R.O.
REC6G1-24304-02	6G1-24304-02



Ref.	R.O. OEM	Manguera Hose Tubo	Envase (x blister) Pack (x blister) Qty (x blister)
GS31074	6Y1-24305-06	1/4"	1
REC6G1-24305-05	6G1-24305-05	5/16"	1
GS31076	6E5-24305-06	3/8"	1

GOLDENSHIP



CONECTOR DOBLE DOUBLE CONNECTOR CONNETTORE DOPPIO

Ref.	R.O. OEM	Manguera Hose Tubo	Envase (x blister) Pack (x blister) Qty (x blister)
GS31092		8 mm	1

GOLDENSHIP



TOMA TANQUE COMBUSTIBLE FUEL TANKS CONNECTOR FILETTATURA PER SERBATOIO BENZINA

Ref.	Rosca Thread Passo	Envase (x blister) Pack (x skinpack) Qty (x Blister)
GS31073	1/4" NPT	1
GS31020	1/4" NPT Vertical / Vertical / Verticale	1

Fabricado en latón.
Made in machined brass.
Fabbricato in ottone.

GOLDENSHIP



GS31073

GS31020

FILTROS COMBUSTIBLE Y ELEMENTOS FUEL FILTERS AND ELEMENTS SUPPORTI, FILTRI BENZINA E RACCORDI

BRACKET / BRACKET / SUPPORTO

Ref.	Braket Bracket Supporto	Tomas NTPF Ports Filetto
REC25000	Aluminio / Aluminium / Alluminio	1/4"
REC25010	INOX AISI316 / S.S. AISI316	1/4"
REC25020	Aluminio / Aluminium / Alluminio	3/8"
REC25030	INOX AISI316 / S.S. AISI316	3/8"
RECOBBRACKET	Plástico / Plastic / Plastica	1/4"

Con 2 tapones de bronce y 2 tubos de extensión.

(2 entradas y 2 salidas).

With 2 brass plugs and 2 extension tubes.

(2 inputs & 2 outputs).

Con 2 tappi di bronzo e 2 tubi di estensione.

(2 ingressi entrata carburante e 2 uscite carburante).



REC25000 - REC25020

REC25010 - REC25030

RECOBBRACKET

**FILTRO COMBUSTIBLE
SEPARADOR DE AGUA
WATER SEPARATING FUEL FILTER
FILTRO SEPARATORE ACQUA-BENZINA**

Ref.	Micras Micron Micron	Altura Height Altezza
REC24942	10	4-7/16"
REC35-802893Q01	10	3-3/4"
REC855686	28	4-7/16"
REC35-802893Q	25	3-3/4"
RACPF5510	10	4-7/16"

RACOR



RACPF5510

RECMAR



REC24942 REC35-802893Q01 REC855686 REC35-802893Q

**FILTRO ORIGINAL
OEM FILTER
FILTRO BENZINA ORIGINALE**

Ref.	Micras Micron Micron	Altura Height Altezza
RM35-802893Q	10	3-3/4"



RM35-802893Q

**FILTRO CON BRACKET
OEM FILTER WITH BRACKET
FILTRO BENZINA CON SUPPORTO**

Ref.	Micras Micron Micron	Tomas NPTF Ports Filetto	Flujo Flow Flusso
REC24950	25	1/4"	50 GPH
REC24952	10	1/4"	50 GPH

Bracket de Aluminio. Con 2 tapones de bronce y 1 tubo de extensión.
Cast Aluminium Bracket. With 2 brass plugs & 1 extension tube.
Supporto in alluminio. Con 2 tappi di bronzo e 1 tubo di estensione.



Ref.	Micras Micron Micron	Tomas NPTF Ports Filetto	Flujo Flow Flusso
REC24960	28	1/4"	50 GPH
REC24956	28	1/4"	50 GPH

Bracket Inox. AISI316. Con 2 tapones de bronce y 2 tubos de extensión.
With S.S. AISI316 Bracket. With 2 brass plugs & 2 extension tubes.
Supporto Inox AISI316. Con 2 tappi di bronzo e 2 tubi di estensione.



REC24960
Bracket rojo
Red Bracket
Supporto rosso



REC24956

**FILTRO DECANTADOR COMBUSTIBLE
CON VASO TRANSPARENTE
COMPLETE FUEL FILTER WITH
TRANSPARENT BOWL
FILTRO DI DECANTAZIONE BENZINA
COMPLETO CON VASCHETTA
TRASPARENTE**

Ref.	Elemento Element Cartuccia	Bracket
RAC320R-RAC-01	RACS3213	Aluminio / Alluminum / Auminio
RAC320R-RAC-03		Plastico / Plastic / Plastica



RACOR

Incluye soporte
Includes bracket.
Con supporto

Filtro completo Compleat filter Filtro completo	Cartucho recambio Replacement element Cartuccia di ricambio	Capacidad Máx. Max. Capacity Capacità massima
RECOBFILTER	RECOBELEMENT	150 l/h



RECMAR

Filtro completo Compleat filter Filtro completo	Cartucho recambio Replacement element Cartuccia di ricambio	Capacidad Máx. Max. Capacity Capacità massima
REC90794-46866	REC90794-46868	117l/h



RECMAR

**LLAVE PARA FILTRO
FILTER KEY
CHIAVE DA FILTRO**

Ref.
RECYS-225-15



Filtro completo Compleat filter Filtro completo	Micras Micron Micron	Rosca Thread Filettatura	Capacidad Max. Max. Capacity Capacita massima
RAC490R-RAC-01	10	3/8" NPTF	340 l/h



RACOR.

CON PURGADOR. Para motores fueraborda superiores a 150 HP.
WITH PRIMING PUMP. For outboards engines more than 150 HP.
CON POMPETTA PER RIEMPIRE IL FILTRO. Per motori fuoribordo superiori a 150HP

Ref.	R.O. / OEM
RACS3227	YMM-2E227-00 YMM-2E227-01

RACOR.



ELEMENTO DE RECAMBIO

Para filtros originales Yamaha.

FILTER ELEMENT

Element for original filtres Yamaha.

CARTUCCIA DI RICAMBIO

Per filtri originali Yamaha.

**RACORS
RACORS
RACCORDO**

Ref.	Rosca Thread Passo	Manguera Hose Tubo	Envase (x blister) Pack (x skinpack) Qnt (x blister)
GS31065	1/4" NPT	3/8" = 9.5 mm	2
GS31166	1/4" NPT	5/16" = 7.9 mm	2
GS31155	3/8" NPT	3/8" = 9.5 mm	2
GS31156	3/8" NPT	5/16" = 7.9 mm	2
GS31157	3/8" NPT	1/4" = 6.4 mm	2

Racor 90° fabricado en laton.

Made in machined brass.

Raccordo 90° prodotto in ottone

GOLDENSHIP



Ref.	Rosca Thread Passo	Manguera Hose Tubo	Envase (x blister) Pack (x skinpack) Qnt (x blister)
GS31066	1/4" NPT	5/16" = 7.9 mm	2
GS31067	1/4" NPT	3/8" = 9.5 mm	2

Fabricado en laton.

Made in machined brass.

Prodotto in ottone

GOLDENSHIP



**FILTRO COMBUSTIBLE
FUEL FILTER
FILTRO COMBUSTIBILE**

Ref.	Capacidad Capacity Capacita	Manguera Hose Tubo	Envase (x blister) Pack (x skinpack) Qnt (x blister)
GS31001	50 lt/h	6-8 mm	1 x skinpack
GS31002	150 lt/h	8-10 mm	1 x skinpack

Filtro transparente para gasolina o gasoil.

Transparent plastic in line filter for petrol and diesel.

Filtro trasparente per benzina o diesel

GOLDENSHIP



Ref.	Manguera Hose Tubo	Envase (x blister) Pack (x skinpack) Qnt (x blister)
GS30435	6, 8, 10 mm	1

GOLDENSHIP

FILTRO TRANSPARENTE

De metal y cristal.

Racors para mangueras de 6-8-10 mm.

TRANSPARENT FILTER

Clear body permits visual inspection.

Racors 6-8-10 mm.

FILTRO TRASPARENTE

Di metallo e vetro. Montaggio in linea. Raccordi per tubo da 6-8-10 mm.



Ref.	Ø Manguera / Ø Hose / ØTubo
REC40145	1/4"
REC40155	5/16"
REC40165	3/8"
REC40135	5/16" Entrada In 3/8" Salida Out Uscita

De plastico / Plastic / In plastica



Ref.	R.O.
PAF4-04120005	6L5-24251-00

MOTORES / ENGINES / MOTORI

3 (1992-02)
F2.5 (2003-12)
F4 (1999-08)



Ref.	R.O.
REC35-80365M	646-24251-02

MOTORES / ENGINES / MOTORI

6 (1989, 1992-99)
8 (1989-99, 2001-02)
F4 (1999-02)
F9.9 (1989-95, 1997-99, 2001-02)
FT 9.9 (1988-90)



Ref.	R.O.
REC68T-24251-00	68T-24251-00

MOTORES / ENGINES / MOTORI

F6, F8 (01+)



Ref.	R.O.
REC6F5-24563-00	6F5-24563-00

MOTORES / ENGINES / MOTORI

9.9 HP



Ref.	R.O.
REC61N-24563-10	61N-24563-10

MOTORES / ENGINES / MOTORI

9.9HP SX



Ref.	R.O.
PAF15-07080000	61N-24560-00

MOTORES / ENGINES / MOTORI

15-60HP



Ref.	R.O.
REC6BG-13915-00	6BG-13915-00

MOTORES / ENGINES / MOTORI

F30 (2013) F75 (2005-13)
F40 (2008-13) F90 (2005-13)
F50 (2005-13) T50 (2005-13)
F60 (2005-13) T60 (2005-13)
F70 (2010-13)



YAMAHA

**RECAMBIOS
MARINOS S.L.**

Ref.	R.O.
REC6C5-24251-00	6C5-24251-00

MOTORES / ENGINES / MOTORI

F30 (2009+)	F75 (2005)
F40 (2006+)	F80 (2008+)
F50 (2005+)	F100 (2005+)
F60 (2005+)	F115 (2014+)
F70 (2011+)	F130 (2015+)



NEW

Ref.	R.O.
REC68V-24563-00	68V-24563-00

**MOTORES EUROPEOS
EUROPEAN ENGINES
MOTORI EUROPEI**

F40	F80
F50	F100
F60	F115



Ref.	R.O.
REC6D8-WS24A-00	6D8-WS24A-00

MOTORES / ENGINES / MOTORI

F50-F115



Ref.	R.O.
REC6C5-13915-00	6C5-13915-00

MOTORES / ENGINES / MOTORI

F50 (2005-13)	F90 (2005-13)
F60 (2005-13)	T50 (2005-13)
F70 (2010-13)	T60 (2005-13)
F75 (2005-13)	



Ref.	R.O.
REC64J-24560-10	64J-24560-00, 64J-24560-10

MOTORES / ENGINES / MOTORI

E75, 75AE, AET	(2003-15)
85 AED, AET	(2003-15)
F40	(2002-07)
T50, FT50, F50	(2001-16)
T60, FT60, F60	(2002-07)



NEW

Ref.	R.O.
REC69J-24501-10	69J-24501-10

MOTORES / ENGINES / MOTORI

F150-F225	(2006-14)
F250	(2005-14)



Ref.	R.O.
REC68F-24563-10	68F-24563-10

MOTORES / ENGINES / MOTORI

150-300HP	(2004-06)
Z, VZ, LZ	



Ref.	R.O.
REC6P3-WS24A-00	6P3-WS24A-00

MOTORES / ENGINES / MOTORI

F150 (2007-11)	F350 (2008-11)
Z200 (2007)	F250 (2009-11)
Z150/175 (2007)	Z300 (2007)
F225 (2007-11)	F300 (2011)
F200 (2007-11)	



Ref.	R.O.
REC65L-24563-00	65L-24563-00

MOTORES / ENGINES / MOTORI

F200 (2002-06)	225FETO (2003)
F150 (2004-06)	L/250B (1997-2003)



Ref.	R.O.
REC61A-24563-00	61A-24563-00

MOTORES / ENGINES / MOTORI

V6, 3'1L, D-T



**FILTRO CARBURADOR
ELEMENT, FILTER (CARB INLET)
FILTRO CARBURATORE**

Ref.	R.O.
REC67F-14371-01	67F-14371-01

MOTORES / ENGINES / MOTORI

F75 (2003-04)	F90 (2003-04)
F80 (2002-03)	F100 (2002-03)



**JUNTA FILTRO COMBUSTIBLE
GASKET FUEL FILTER BOWL
GUARNIZIONE FILTRO BENZINA**

Ref.	R.O.
REC6P3-24564-00	6P3-24564-00

MOTORES / ENGINES / MOTORI

F/LF 150 - F300 (2006-14)	VZ150 - VZ300 (2006-14)
	Z200 - Z300 (2006-14)



**FILTRO VST
VST FILTER
FILTRO VST**

Ref.	R.O.
REC68V-13915-00	

MOTORES / ENGINES / MOTORI

F115 (2000-09)	F225 TXR (2002-09)
F200 TXR (2002-09)	F225 TUR (2002-09)
LF200 TXR (2002-09)	



Ref.	R.O.
REC68F-13915-00	68F-13915-00

MOTORES / ENGINES / MOTORI

HPDI 150 (2000-05)	
V-Max HPDI 150 (2000-09)	
HPDI 225 (2003-09)	
HPDI 250 (2003-09)	
HPDI 300 (2004-09)	



Ref.	R.O.
REC66K-13915-00	66K-13915-00

MOTORES / ENGINES / MOTORI

DX150 (1999-05)	LX225 (2000-03)
LX150 (1999-01)	S225 (1999)
PX150 (1999)	SX225 (2000-03)
SX150 (1999-04)	V225 (1999)
VX150 (2000-04)	VX225 (2000-04)
LX200 (1999-01)	L250 (1999)
SX200 (1999-05)	LX250 (2000-03)
V200 (1999)	SX250 (2000-03)
VX200 (2000-05)	VX250 (2002-04)
L225 (1999)	



Ref.	R.O.
REC63P-13915-00	63P-13915-00

MOTORES / ENGINES / MOTORI

F150 TXR (2004-09)	F300 TXR (2007-09)
F150 TLR (2004-09)	F300 TUR (2007-09)
F150 TJR (2009)	F350 TXR (2007-09)
LF150 TXR (2004-09)	F350 TUR (2007-09)
F250 TXR (2005-09)	F225 TLR (2007-09)
F250 TUR (2005-09)	



Ref.	R.O.	
REC60V-24251-01	60V-24251-01	
MOTORES / ENGINES / MOTORI		
LZ150 (2005)	VZ225 (2005-09)	
VZ150 (2005-10)	LZ250 (2005)	
Z150 (2005)	VZ250 (2005-09)	
VZ175 (2005-10)	Z250 (2005)	
Z175 (2005)	LZ300 (2005-06)	
LZ200 (2005-10)	VZ300 (2005-09)	
VZ200 (2005-09)	Z300 (2005-06)	
Z200 (2005-10)		



Ref.	R.O.	
REC65L-13915-00	65L-13915-00	
MOTORES / ENGINES / MOTORI		
L225 (1997-98)	V200 (1998)	
S225 (1997-98)	V225 (1998)	
L250 (1997-98)		



MODELO MODEL MODELLO							Ref.	R.O. OEM
3A	F4A						PAF4-04120005	6L5-24251-00
4A	F4A	5C	6C/D	8C	F8B	F9.9A/B	REC35-80365M	646-24251-02
FT9.9A	HPDI							
FT8D							REC68T-24251-00	68T-24251-00
9.9D	15D	20C/D	25D/J/N/Q	30A/D/G	40H/Q	50D/G/55B	REC6F5-24563-00	6F5-24563-00
60F	70B	75A	80A	85A	90A/100A	115B/C(L)		
130B(L)	150C(L)	175B	200B/PRO	200V	225B (-1993)			
9.9C/D/F	15C/D/F	20D/F	25B/D/J/N/Q/V	30D/GH	40H/Q/V/X/Y/F	40A/B/F	REC61N-24563-10	61N-24563-10
45A/F	50A/B/FT	50A	50D/G/H/PRO	50	55B	60F		
70B	75A/C/PRO	75/80A	85A	90A	100A/PROV	100/115B/C(L)		
130B/D	150H(L)	150C(L)	150F	175B/D(L)	200B(L)	200F/G/PROV		
200/225B/D (1994)								
FT	9.9D	F9.9C/F	15A/F	20A/F	25A/FT	25B/F	REC40145	65W-24251-00
30A/F	40B							
F80A	F100A						REC40165	67F-24251-02
F40C	F50F	FT50C/G/F	60A/C/FT	60B/D/F	80B/F	100D/F(L)	REC68V -24563-00	68V-24563-00
115A								
150A(L)	225C(L)	250A					REC61A-24563-00	61A-24563-00
225G(L)	250B/F(L)	150A/F(L)	200A/F(L)	225A/F(L)	250A		REC65L-24563-00	65L-24563-00
HPDI (Fuel Strainer)							REC60V-24251-01	60V-24251-01

FILTROS ACEITE OIL FILTERS FILTRI OLIO

Ref.	R.O.	
REC61A-13411-00	61A-13411-00	
MOTORES / ENGINES / MOTORI		
Z250TR	AETO (1993-06)	Z300 AETO
DETO	L250B	TXR (2004-07)
FETO (2003-07)	TXR (2000-03)	L250G-GETOX (2006-10)
250B	225G-GETOL (1999-03)	



Ref.	R.O.	
REC6E5-13411-00	6E5-13411-00	
MOTORES / ENGINES / MOTORI		
V-Z 200T	175D	130BETO (1991-01)
PETO	DETO (1996-03)	115CETO
TLR (2001-07)	Z1200F-FETO (1996-10)	TLR
Z150 F	225D-DETOX (2000-03)	TXR (1991-13)
TXRA	115 B	
PETOLX (1996-07)	BET (1988-02)	



Ref.	R.O.	
REC6J8-13411-00	6J8-13411-00	
MOTORES / ENGINES / MOTORI		
25Q-QEO (1990-94)	DEOS	25J
50	MH (2011-13)	JEQ
G-GEO-GETOL (1993-07)	GOLTRA	JETO
50H-HR-MDO (1996-02)	F	NEM
40V-MH-MD	FETO	W (1988-13)
VETO	L (1989-13)	20D
VE-O (1995-13)	70BETO	EM-ML
40YETO-YETOL (2005-07)	B	W (1988-13)
30DETOL	BEMO (1989-13)	



Ref.	R.O.	
REC68F-13440-00	68F-13440-00	
MOTORES / ENGINES / MOTORI		
LZ	TLR (2001-07)	
LZ300	Z250	
TR	TXR	
AETO-X-V (2004-07)	DETO	
Z175TR	X (2003-07)	
GETO-X (2002-07)	Z150P	
V	TXR	
Z200T	PETO (2000-07)	
PETO		



Ref.	R.O.	
REC6G8-13440-00	6G8-13440-00	
MOTORES / ENGINES / MOTORI		
F8		
F/FT 9.9		



Ref.	R.O.	
REC35-80365M	646-24251-02	
MOTORES / ENGINES / MOTORI		
L150	250	
L200	115	
225	130	
175		



Ref.	R.O.	
REC35-822626Q15	69J-13440-00	
MOTORES / ENGINES / MOTORI		
F150 (2004-06)	F225 (2002-06)	
F200	F250 (2005-06)	



Ref.	R.O.
REC5GH-13440-00	5GH-13440-00

MOTORES / ENGINES / MOTORI

F15 (2000-05)	T6 (2003-05)
F	F75 (2003-05)
T25 (2000-05)	F80 (2000-03)
F40 (2000-05)	F90 (2003-05)
F50 (2000-05)	F100 (2000-02)
F60 (2002-05)	LF115 (2000-05)



Ref.	R.O.	Rosca Tread Passo
REC26-13440-00	N26-13440-00	3/4" x 16NNPT

MOTORES / ENGINES / MOTORI

F300
F350



Ref.	R.O.
REC3FV-13440-00	3FV-13440-00

MOTORES / ENGINES / MOTORI

F15 (98-1999)	FT50 (95-1999)
F40 (99-2001)	F80 (1999+)
F25 (98-1999)	F100 (99-2000)



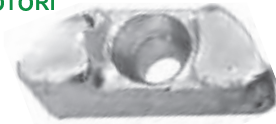
MODELO MODEL MODELLO	AÑO YEAR ANNO	R.O. OEM	Ref.
F9.9 T9.9	2006-13	5GH-13440-00	REC5GH-13440-00
F8B T9.9	1990-05	6G8-13440-00	REC6G8-13440-00
F15	1998-99	3FV-13440-00	REC3FV-13440-00
F13,5 F15	2000-13	5GH-13440-00	REC5GH-13440-00
F20 F25	1998-99	3FV-13440-00	REC3FV-13440-00
F25 T25	2000-13	5GH-13440-00	REC5GH-13440-00
F30	2001-13	5GH-13440-00	REC5GH-13440-00
F40	1990-00	3FV-13440-00	REC3FV-13440-00
F40 F45A	2001-13	5GH-13440-00	REC5GH-13440-00
F50 T50	1995-99	3FV-13440-00	REC3FV-13440-00
F50 T50	2000-05	5GH-13440-00	REC5GH-13440-00
F60 T60	2002-05	5GH-13440-00	REC5GH-13440-00
F70 F75 F90	2003-13	5GH-13440-00	REC5GH-13440-00
F80 F100	1999	3FV-13440-00	REC3FV-13440-00
F80	2000-13	5GH-13440-00	REC5GH-13440-00
F100	2000-03	5GH-13440-00	REC5GH-13440-00
F115	2001-13	5GH-13440-00	REC5GH-13440-00
F150	2004-06	69J-13440-00	REC35-822626Q15
F200 F225	2002-06	69J-13440-00	REC35-822626Q15
F250	2005-06	69J-13440-00	REC35-822626Q15
F300 F350	2008+	N26-13440-00	REC26-13440-00
WAVERUNNERS			
FX40 FX140		5GH-13440-00	REC5GH-13440-00
FXCRUISER		5GH-13440-00	REC5GH-13440-00

ÁNODOS ANODES ANODI

Ref.	R.O.		Peso Weight Peso
CM15026	6E5-11325-00	Cinc / Zinc / Zinco	0,010 kg
CM15026A	6E5-11325-00	Aluminio / Aluminium / Alluminio	0,005 kg

MOTORES / ENGINES / MOTORI

100 - 225 HP



Ref.	R.O.		Peso Weight Peso
CM6U4-45251-00		Cinc / Zinc / Zinco	0,27 kg

MOTORES / ENGINES / MOTORI

Serie TD



Ref.	R.O.		Peso Weight Peso
CM6G5-45251-01	6G5-45251-01	Cinc / Zinc / Zinco	0,91 kg
CM6G5-45251-01A	6G5-45251-01	Aluminio / Aluminium / Alluminio	0,37 kg

MOTORES / ENGINES / MOTORI

Serie MALTA 2/4, 3.5 HP
2B/3, A/4, A/5C, 150/200 HP



Ref.	R.O.		Peso Weight Peso
CM6H1-45251-02	6H14525102	Cinc / Zinc / Zinco	0,49 kg
CM6H1-45251-02A	6H14525102	Aluminio / Aluminium / Alluminio	0,20 kg

MOTORES / ENGINES / MOTORI

Serie TOP 700



Ref.	R.O.		Peso Weight Peso
CM68V-11325-01	68V-11325-01	Cinc / Zinc / Zinco	0,07 kg
CM68V-11325-01A	68V-11325-01	Aluminio / Aluminium / Alluminio	0,03 kg



Ref.	R.O.		Peso Weight Peso
CM68T-45251-00	68T-45251-00	Cinc / Zinc / Zinco	0,10 kg
CM68T-45251-00A	68T-45251-00	Aluminio / Aluminium / Alluminio	0,04 kg



Ref.	R.O.		Peso Weight Peso
CM6E5-45251-00		Cinc / Zinc / Zinco	0,10 kg
CM6E5-45251-00A		Aluminio / Aluminium / Alluminio	0,05 kg



Ref.	R.O.	Peso Weight Peso
CM6E0-45251-11	6E0-45251-11-00 Cinc / Zinc / Zinco	0,10 kg
CM6E0-45251-11A	6E0-45251-11-00 Aluminio / Aluminium / Alluminio	0,04 kg

MOTORES / ENGINES / MOTORI
40 HP



Ref.	R.O.	Peso Weight Peso
CM67C-45251-00	67C-45251-00 Cinc / Zinc / Zinco	0,12 kg

MOTORES / ENGINES / MOTORI
Fueraordas / Outboards / Fuoribordo



Ref.	R.O.	Peso Weight Peso
CM3082523	689-11325-00 Cinc / Zinc / Zinco	0,03 kg



Ref.	R.O.	Peso Weight Peso
CM41106-ZW000	Cinc / Zinc / Zinco	0,03 kg

MOTORES / ENGINES / MOTORI
2-25 HP



Ref.	R.O.	Peso Weight Peso
CM688-45251-01	688-45251-01 Cinc / Zinc / Zinco	0,03 kg
CM688-45251-01A	688-45251-01 Aluminio / Aluminium / Alluminio	0,01 kg

MOTORES / ENGINES / MOTORI
Serie 2-115, 60, 85, 115



Ref.	R.O.	Peso Weight Peso
CM6H1-45251-01	6H1-45251-01 Cinc / Zinc / Zinco	0,56 kg



Ref.	R.O.	Peso Weight Peso
CM825171	Cinc / Zinc / Zinco	0,29 kg

MOTORES / ENGINES / MOTORI
30-40 HP



Ref.	R.O.	Peso Weight Peso
CM62Y-11325-00	62Y-11325-00 Cinc / Zinc / Zinco	0,02 kg

MOTORES / ENGINES / MOTORI
40-200 HP



Ref.	R.O.	Peso Weight Peso
CM6L5-45251-02	6L5-45251-02 Cinc / Zinc / Zinco	0,06 kg
CM6L5-45251-02A	6L5-45251-02 Aluminio / Aluminium / Alluminio	0,03 kg

MOTORES / ENGINES / MOTORI
3,5 HP



Ref.	R.O.	Peso Weight Peso
CM6G1-45251-03	6G1-45251-03 Cinc / Zinc / Zinco	0,17 kg

MOTORES / ENGINES / MOTORI
6C - 6D - 8C



Ref.	R.O.	Peso Weight Peso
CM42121	Cinc / Zinc / Zinco	0,03 kg

MOTORES / ENGINES / MOTORI
6 - 9,9 HP



Ref.	R.O.	Peso Weight Peso
CM6E8-45251-00	6E8-45251-00 Cinc / Zinc / Zinco	0,06 kg

MOTORES / ENGINES / MOTORI
9,9 HP



Ref.	R.O.	Peso Weight Peso
CM6E8-45251-01	6E8-45251-02 Cinc / Zinc / Zinco	0,15 kg

MOTORES / ENGINES / MOTORI
9,9 - 15 HP



Ref.	R.O.	Peso Weight Peso
CM6G8-45251-01	6G8-45251-00 Cinc / Zinc / Zinco	0,20 kg

MOTORES / ENGINES / MOTORI
9,9 HP



Ref.	R.O.	Peso Weight Peso
CM66M-45371-00	66M-45371-00 Cinc / Zinc / Zinco	0,08 kg

MOTORES / ENGINES / MOTORI
9,9 HP - 4T



Ref.	R.O.	Peso Weight Peso
CM6G1-45251-02	6G1-45251-02 Cinc / Zinc / Zinco	0,03 kg

MOTORES / ENGINES / MOTORI
6 - 8 HP



Ref.	R.O.	Peso Weight Peso
CM6U0-45251-00	6U0-45251-00 Cinc / Zinc / Zinco	1,50 kg

MOTORES / ENGINES / MOTORI
Fueraordos / Outboards / Fuoribordo



Ref.	R.O.	Peso Weight Peso
CM6T4-45836-00	6T4-45836-00 Cinc / Zinc / Zinco	1,44 kg

MOTORES / ENGINES / MOTORI
V8



Ref.	R.O.	Peso Weight Peso
CM6T5-45373-00	6T5-45373-00 Cinc / Zinc / Zinco	1,07 kg

MOTORES / ENGINES / MOTORI
130 - 260 HP



Ref.	R.O.	Peso Weight Peso
CM15008	66M-11325-00 Cinc / Zinc / Zinco	0,014 kg
CM15008A	66M-11325-00 Aluminio / Aluminium / Alluminio	0,006 kg

MOTORES / ENGINES / MOTORI
9.9 HP



Ref.	R.O.	Peso Weight Peso
CM67F-11325-00	67F-11325-00 Cinc / Zinc / Zinco	0,06 kg

MOTORES / ENGINES / MOTORI
80 - 100 HP



Ref.	R.O.	Peso Weight Peso
CM63D-45251-01	63D-45251-01 Cinc / Zinc / Zinco	0,54 kg



Ref.	R.O.	Peso Weight Peso
CM67C-45371-00	67C-45371-00 Cinc / Zinc / Zinco	0,21 kg

MOTORES / ENGINES / MOTORI
F25 - F40 - F50 - F60



Ref.	R.O.	Peso Weight Peso
CM6E5-45371-10	6E5-45371-10 Cinc / Zinc / Zinco	0,23 kg

MOTORES / ENGINES / MOTORI
60 - 225 HP



Ref.	R.O.	Peso Weight Peso
CM6G8-11325-00	6G8-11325-00 Cinc / Zinc / Zinco	0,02 kg

MOTORES / ENGINES / MOTORI
2.5 - 9.0 HP



Ref.	R.O.	Peso Weight Peso
CM85007	688-11325-00 Cinc / Zinc / Zinco	0,010 kg
CM85007A	688-11325-00 Aluminio / Aluminium / Alluminio	0,004 kg

MOTORES / ENGINES / MOTORI
25 - 90 HP



Ref.	R.O.	Peso Weight Peso
CM61A-45371	61A-45371-00 Cinc / Zinc / Zinco	0,63 kg
CM61A-45371-00A	61A-45371-00 Aluminio / Aluminium / Alluminio	0,25 kg

MOTORES / ENGINES / MOTORI
250A



Ref.	R.O.	Peso Weight Peso
CM61N-45251-01	61N-45251-01 Cinc / Zinc / Zinco	0,26 kg
CM61N-45251-01A	61N-45251-01 Aluminio / Aluminium / Alluminio	0,10 kg

MOTORES / ENGINES / MOTORI
4T, 9.9, 15F, 25HP



Ref.	R.O.	Peso Weight Peso
CM664-45371-01	664-45371-01A Cinc / Zinc / Zinco	0,28 kg
CM664-45371-01A	664-45371-01A Aluminio / Aluminium / Alluminio	0,11 kg

MOTORES / ENGINES / MOTORI
20, 25, 30 HP



Ref.	R.O.	Peso Weight Peso
CM82795M	Cinc / Zinc / Zinco	0,19 kg
CM82795MA	Aluminio / Aluminium / Alluminio	0,07 kg

MOTORES / ENGINES / MOTORI
25, 30 HP



Ref.	R.O.	Peso Weight Peso
CM688-45371-02	688-45371-02 Cinc / Zinc / Zinco	0,48 kg
CM688-45371-02A	688-45371-02 Aluminio / Aluminium / Alluminio	0,19 kg

MOTORES / ENGINES / MOTORI
60, 90 HP



Ref.	R.O.	Peso Weight Peso
CM679-45251-00	679-45251-00 Cinc / Zinc / Zinco	0,56 kg

MOTORES / ENGINES / MOTORI
55 HP



Ref.	R.O.	Peso Weight Peso
CM6J9-45371-01	6J9-45371-01 Cinc / Zinc / Zinco	0,50 kg
CM6J9-45371-01A	6J9-45371-01 Aluminio / Aluminium / Alluminio	0,20 kg

MOTORES / ENGINES / MOTORI
150, 200 HP



Ref.	R.O.	Peso Weight Peso
CM6K1-45371-02	6J9-45371-02 Cinc / Zinc / Zinco	0,50 kg
CM6K1-45371-02A	6J9-45371-02 Aluminio / Aluminium / Alluminio	0,21 kg

MOTORES / ENGINES / MOTORI
150, 200 HP
Contra-rotación
Counter rotation
Contro-rotante



Ref.	R.O.	Peso Weight Peso
CM69L-45371-00	69L-45371-00 Cinc / Zinc / Zinco	0,52 kg
CM69L-45371-00A	69L-45371-00 Aluminio / Aluminium / Alluminio	0,21 kg



Ref.	R.O.	Peso Weight Peso
CM6T5-45371-00	6T5-45371-00 Cinc / Zinc / Zinco	0,52 kg

MOTORES / ENGINES / MOTORI
130, 160 HP



Ref.	R.O.	Peso Weight Peso
CM6E5-45371-01	6E5-45371-01 Cinc / Zinc / Zinco	0,42 kg
CM6E5-45371-01A	6E5-45371-01 Aluminio / Aluminium / Alluminio	0,17 kg

MOTORES / ENGINES / MOTORI
115 - 225 HP (V-4 - V6)



Ref.	R.O.	Peso Weight Peso
CM6K1-45371-00	6K1-45371-00 Cinc / Zinc / Zinco	0,42 kg
CM6K1-45371-00A	6K1-45371-00 Aluminio / Aluminium / Alluminio	0,17 kg

MOTORES / ENGINES / MOTORI
115 - 225 HP (V-4 - V6)
Contra-rotación
Counter rotation
Contro-rotante



Ref.	R.O.	Peso Weight Peso
TEN01109	Cinc / Zinc / Zinco	0,020 kg

MOTORES / ENGINES / MOTORI
Serie 2 - 115 HP
Mariner / Yamaha 2 - 25 HP



Ref.	R.O.	Peso Weight Peso
TEN01110	688-45251-01 Cinc / Zinc / Zinco	0,040 kg

MOTORES / ENGINES / MOTORI
Serie 2 - 115 HP
Yamaha 60 - 85 - 115 HP



Ref.	R.O.	Peso Weight Peso
TEN01111	Cinc / Zinc / Zinco	0,210 kg

MOTORES / ENGINES / MOTORI
Serie 2 - 115 HP
Mariner 40 HP
Yamaha 70 - 85 HP



Ref.	R.O.	Peso Weight Peso
TEN01127	676-45251-00 Ø 20 mm	0,020 kg
TEN01128	823913 Ø 24 mm	0,020 kg

MOTORES / ENGINES / MOTORI

Ánodo motor.
Anode for engine.
Anodo motore.



Ref.	R.O.	Peso Weight Peso
TEN01165	63P-11325-21-00 Cinc / Zinc / Zinco	0,030 kg



Ref.	R.O.	Peso Weight Peso
TEN01148	6G8-11325-00 Cinc / Zinc / Zinco	0,010 kg

MOTORES / ENGINES / MOTORI

Serie 2,5 - 9,0 HP



Ref.	R.O.	Peso Weight Peso
TEN01161	6BL-11325-00 Cinc / Zinc / Zinco	0,020 kg

MOTORES / ENGINES / MOTORI

Ánodo motor.
Anode for engine.
Anodo motore.



Ref.	R.O.	Peso Weight Peso
TEN01163	6BT-11325-00 Cinc / Zinc / Zinco	0,020 kg

MOTORES / ENGINES / MOTORI

Ánodo motor.
Anode for engine.
Anodo motore.



Ref.	R.O.	Peso Weight Peso
TEN01149	62Y-11325-00 Cinc / Zinc / Zinco	0,020 kg

MOTORES / ENGINES / MOTORI

Serie 40 - 200 HP



Ref.	R.O.	Peso Weight Peso
TEN01150	6J8-11325-00 Cinc / Zinc / Zinco	0,020 kg

MOTORES / ENGINES / MOTORI

Serie 20 - 25 HP



Ref.	R.O.	Peso Weight Peso
TEN01168	61A-11325-00 Cinc / Zinc / Zinco	0,020 kg



Ref.	R.O.	Peso Weight Peso
TEN01112	6G5-45251-01 Cinc / Zinc / Zinco 6G5-45251-02	0,900 kg

MOTORES / ENGINES / MOTORI

Ánodo barra motor.
Anode bar for engine.
Anodo barra motore.



Ref.	R.O.	Peso Weight Peso
TEN01112-1	6AW-45251 Cinc / Zinc / Zinco	0,650 kg

MOTORES / ENGINES / MOTORI

Ánodo barra motor.
Anode bar for engine.
Anodo barra motore.



Ref.	R.O.	Peso Weight Peso
TEN01113	6H1-45251-01 Cinc / Zinc / Zinco	0,550 kg

MOTORES / ENGINES / MOTORI

Serie Yamaha 60 - 90 HP
Anodo barra motor.
Anode bar for engine.
Anodo barra motore.



Ref.	R.O.	Peso Weight Peso
TEN01115	6H1-45251-03 Cinc / Zinc / Zinco	0,460 kg

MOTORES / ENGINES / MOTORI

Serie Yamaha TOP 700
Anodo barra motor.
Anode bar for engine.
Anodo barra motore.



Ref.	R.O.	Peso Weight Peso
TEN01125	6H1-45251-03 Cinc / Zinc / Zinco	1,200 kg

MOTORES / ENGINES / MOTORI

Serie 150 - 200 HP
Anodo barra motor.
Anode bar for engine.
Anodo barra motore.



Ref.	R.O.	Peso Weight Peso
TEN01126	Cinc / Zinc / Zinco	0,290 kg

MOTORES / ENGINES / MOTORI

Serie 30 - 40 HP
Anodo barra motor.
Anode bar for engine.
Anodo barra motore.



Ref.	R.O.	Peso Weight Peso
TEN01120	6T5-45373-00-00 Cinc / Zinc / Zinco	0,770 kg

MOTORES / ENGINES / MOTORI

Serie Yamaha 130 - 205, 230 - 260
 Ànodo motor.
 Anode for engine.
 Anodo motore.



Ref.	R.O.	Peso Weight Peso
TEN01162	682-11325-00 Cinc / Zinc / Zinco	0,020 kg

MOTORES / ENGINES / MOTORI

Ànodo motor.
 Anode for engine.
 Anodo motore.



Ref.	R.O.	Peso Weight Peso
TEN01159	6U4-45251-00 Cinc / Zinc / Zinco	0,600 kg

MOTORES / ENGINES / MOTORI

Ànodo barra motor.
 Anode bar for engine.
 Anodo barra motore.



Ref.	R.O.	Peso Weight Peso
TEN01164	63P-11325-11-00 Cinc / Zinc / Zinco	0,020 kg

MOTORES / ENGINES / MOTORI

Ànodo motor.
 Anode for engine.
 Anodo motore.



Ref.	R.O.	Peso Weight Peso
TEN01121	689-11325-00 Cinc / Zinc / Zinco	0,020 kg

MOTORES / ENGINES / MOTORI

Serie Yamaha W30 - W8 25/2/3
 Ànodo motor.
 Anode for engine.
 Anodo motore.



Ref.	R.O.	Peso Weight Peso
TEN01166	676-11325-00 Cinc / Zinc / Zinco	0,030 kg

MOTORES / ENGINES / MOTORI

Ànodo motor.
 Anode for engine.
 Anodo motore.



Ref.	R.O.	Peso Weight Peso
TEN01132	67C-45251-00 Cinc / Zinc / Zinco	0,120 kg



Ref.	R.O.	Peso Weight Peso
TEN01167	63P-11325-01-00 Cinc / Zinc / Zinco	0,020 kg

MOTORES / ENGINES / MOTORI

Ànodo motor.
 Anode for engine.
 Anodo motore.



Ref.	R.O.	Peso Weight Peso
TEN01142	68T-45251-00 Cinc / Zinc / Zinco	0,100 kg

MOTORES / ENGINES / MOTORI

Serie Yamaha F8C - 68T 2000 - 4



Ref.	R.O.	Peso Weight Peso
TEN01160T	N51-11325-01 Cinc / Zinc / Zinco	0,020 kg

MOTORES / ENGINES / MOTORI

Ànodo motor.
 Anode for engine.
 Anodo motore.



Ref.	R.O.	Peso Weight Peso
TEN01147	688-11325-00 Cinc / Zinc / Zinco	0,010 kg

MOTORES / ENGINES / MOTORI

Serie 25 - 90 HP



Ref.	R.O.	Peso Weight Peso
TEN01146	67F-11325-00 Cinc / Zinc / Zinco	0,070 kg

MOTORES / ENGINES / MOTORI

Serie 80 - 100 HP



Ref.	R.O.	Peso Weight Peso
TEN01152	6E5-11325-00 Cinc / Zinc / Zinco	0,010 kg

MOTORES / ENGINES / MOTORI

Serie 100 - 225 HP



Ref.	R.O.	Peso Weight Peso
TEN01146-1	67F-11325-00 Cinc / Zinc / Zinco	0,050 kg

MOTORES / ENGINES / MOTORI

Serie 80 - 100 HP



Ref.	R.O.	Peso Weight Peso
TEN01151	66M-11325-00 Cinc / Zinc / Zinco	0,010 kg

MOTORES / ENGINES / MOTORI
Serie 9,9 HP



Ref.	R.O.	Peso Weight Peso
TEN01156	68V-11325-02 Cinc / Zinc / Zinco	0,030 kg

MOTORES / ENGINES / MOTORI
Ánodo motor.
Anode for engine.
Anodo motore.



Ref.	R.O.	Peso Weight Peso
TEN01156-1	68V-11325-01 Cinc / Zinc / Zinco	0,030 kg

MOTORES / ENGINES / MOTORI
Ánodo motor.
Anode for engine.
Anodo motore.



Ref.	R.O.	Peso Weight Peso
TEN01114	Cinc / Zinc / Zinco	0,090 kg

MOTORES / ENGINES / MOTORI
Ánodo motor.
Anode for engine.
Anodo motore.



Ref.	R.O.	Peso Weight Peso
TEN01131	63D-45251-00 Cinc / Zinc / Zinco 63D-45251-01	0,570 kg

MOTORES / ENGINES / MOTORI
Serie H.C. 48
Ánodo platina motor.
Anode plate for engine.
Anodo piastra motore.



Ref.	R.O.	Peso Weight Peso
TEN01135	61N-45251-01 Cinc / Zinc / Zinco	0,270kg

MOTORES / ENGINES / MOTORI
Serie 4T - 9,9 - 15F - 25 HP



Ref.	R.O.	Peso Weight Peso
TEN01137	6G8-45251-00 Cinc / Zinc / Zinco	0,200 kg

MOTORES / ENGINES / MOTORI
Serie 9,9 HP



Ref.	R.O.	Peso Weight Peso
TEN01138	6G8-45251-00 Cinc / Zinc / Zinco	0,280 kg

MOTORES / ENGINES / MOTORI
Serie Yamaha TD



Ref.	R.O.	Peso Weight Peso
TEN01123	6E0-45251-11-00 Cinc / Zinc / Zinco 65W-45251-00	0,100 kg

MOTORES / ENGINES / MOTORI
Serie Yamaha 40 HP



Ref.	R.O.	Peso Weight Peso
TEN01139	6T5-45251-00 Cinc / Zinc / Zinco	0,350 kg

MOTORES / ENGINES / MOTORI
Ánodo motor.
Anode for engine.
Anodo motore.



Ref.	R.O.	Peso Weight Peso
TEN01154AL	6AH-45251 Aluminio / Aluminium / Alluminio	0,690 kg

MOTORES / ENGINES / MOTORI
Ánodo platina motor.
Anode plate for engine.
Anodo piastra motore.



Ref.	R.O.	Peso Weight Peso
TEN01105	6E5-45251 Cinc / Zinc / Zinco	0,150 kg

MOTORES / ENGINES / MOTORI
Serie Yamaha 115 - 225 HP



Ref.	R.O.	Peso Weight Peso
TEN01129	6E5-45251 Cinc / Zinc / Zinco	0,240 kg

MOTORES / ENGINES / MOTORI
Serie 75 HP - XR6
Ánodo platina motor.
Anode plate for engine.
Anodo piastra motore.



Ref.	R.O.	Peso Weight Peso
TEN01157	6U0-45251-00 Cinc / Zinc / Zinco	1,500 kg

MOTORES / ENGINES / MOTORI
Serie Yamaha TD
Ánodo platina motor.
Anode plate for engine.
Anodo piastra motore.



Ref.	R.O.	Peso Weight Peso
TEN01106	6E8-45251-00 Cinc / Zinc / Zinco	0,45g

MOTORES / ENGINES / MOTORI
Serie Yamaha 9,9 HP



Ref.	R.O.	Peso Weight Peso
TEN01107	Cinc / Zinc / Zinco	0,030 kg

MOTORES / ENGINES / MOTORI
Serie Yamaha 9,9 HP
Ánodo platina motor.
Anode plate for engine.
Anodo piastra motore.



Ref.	R.O.	Peso Weight Peso
TEN01155AL	6AH-45251 Aluminio / Aluminium / Alluminio	1,050 kg

MOTORES / ENGINES / MOTORI
Ánodo platina motor.
Anode plate for engine.
Anodo piastra motore.



Ref.	R.O.	Peso Weight Peso
TEN01116	6E8-45251-02 Cinc / Zinc / Zinco	0,140 kg

MOTORES / ENGINES / MOTORI
Serie Yamaha 9,9 - 15 HP



Ref.	R.O.	Peso Weight Peso
TEN01144	6K1-45371-00 Cinc / Zinc / Zinco	0,410 kg

MOTORES / ENGINES / MOTORI
Ánodo Cola
Skeg Anode
Anodo Pinna



Ref.	R.O.	Peso Weight Peso
TEN01145	69L-45371-00 Cinc / Zinc / Zinco	0,660 kg

MOTORES / ENGINES / MOTORI
Ánodo Cola
Skeg Anode
Anodo Pinna



Ref.	R.O.	Peso Weight Peso
TEN01136	66M-45371-00 Cinc / Zinc / Zinco	0,090 kg

MOTORES / ENGINES / MOTORI
Serie 9,9 HP 4T



Ref.	R.O.	Peso Weight Peso
TEN01153	6E5-45371-00 Cinc / Zinc / Zinco	0,337 kg

MOTORES / ENGINES / MOTORI
Serie 60 - 225 HP



Ref.	R.O.	Peso Weight Peso
TEN01169	6AW-45619-00 Cinc / Zinc / Zinco	0,300 kg

MOTORES / ENGINES / MOTORI
Ánodo platina motor.
Anode plate for engine.
Anodo piastra motore.



Ref.	R.O.	Peso Weight Peso
TEN01158	6U4-45373-00 Cinc / Zinc / Zinco	0,330 kg

MOTORES / ENGINES / MOTORI
Ánodo platina motor.
Anode plate for engine.
Anodo piastra motore.



Ref.	R.O.	Peso Weight Peso
TEN01108	6G1-45251-02 Cinc / Zinc / Zinco	0,040 kg

MOTORES / ENGINES / MOTORI
Serie Yamaha 6 - 8 HP
Ánodo platina motor.
Anode plate for engine.
Anodo piastra motore.



Ref.	R.O.	Peso Weight Peso
TEN01117	6L5-45251-02 Cinc / Zinc / Zinco	0,070 kg

MOTORES / ENGINES / MOTORI
Serie Yamaha Malta 3,5 HP
+ 2B - 3A - 4A - 5C
Ánodo platina motor.
Anode plate for engine.
Anodo piastra motore.



YAMAHA

**RECAMBIOS
MARINOS S.L.**

Ref.	R.O.	Peso Weight Peso
TEN01118	6G1-45251-03 Cinc / Zinc / Zinco	0,175 kg

MOTORES / ENGINES / MOTORI
Serie Yamaha 6C - 6D - 8C HP



Ref.	R.O.	Peso Weight Peso
TEN01122	6T4-45836-00 Cinc / Zinc / Zinco	1,490 kg

MOTORES / ENGINES / MOTORI
Serie Yamaha V8



Ref.	R.O.	Peso Weight Peso
TEN01100	664-45371-01A Cinc / Zinc / Zinco	0,210 kg

MOTORES / ENGINES / MOTORI
Serie Mariner 10 - 50 HP
Yamaha 20 - 25 - 30 HP



Ref.	R.O.	Peso Weight Peso
TEN01101	664-45371-01A Cinc / Zinc / Zinco	0,460 kg

MOTORES / ENGINES / MOTORI
Serie Mariner 40 - 60 HP 10x1,25
Mariner 40 - 60 HP 7/16" 1991+
Yamaha 55 HP 10x1,25



Ref.	R.O.	Peso Weight Peso
TEN01102	Cinc / Zinc / Zinco	0,620 kg

MOTORES / ENGINES / MOTORI
Serie Mariner 90-140 HP



Ref.	R.O.	Peso Weight Peso
TEN01103	6E5-45371-01 Cinc / Zinc / Zinco	0,390 kg

MOTORES / ENGINES / MOTORI
Serie Yamaha 115 - 225 HP
V4 - V6



Ref.	R.O.	Peso Weight Peso
TEN01104	688-45371-02 Cinc / Zinc / Zinco	0,430 kg

MOTORES / ENGINES / MOTORI
Serie Yamaha 60 - 90 HP



Ref.	R.O.	Peso Weight Peso
TEN01119	6T5-45371-00 Cinc / Zinc / Zinco	0,580 kg

MOTORES / ENGINES / MOTORI
Serie Yamaha 130 - 205 -
230 - 260 HP



Ref.	R.O.	Peso Weight Peso
TEN01124	61A-45371-00 Cinc / Zinc / Zinco	0,680 kg

MOTORES / ENGINES / MOTORI
Serie Yamaha 250A HP



Ref.	R.O.	Peso Weight Peso
TEN01130	Cinc / Zinc / Zinco	0,270 kg

MOTORES / ENGINES / MOTORI
Serie Yamaha 25 - 30 HP



Ref.	R.O.	Peso Weight Peso
TEN01133	DX220 6J9-45371-01	0,630 kg
TEN01134	SX220 6K1-45371-02	0,630 kg

MOTORES / ENGINES / MOTORI
Yamaha 150 - 200 HP



Ref.	R.O.	Peso Weight Peso
TEN01140	67F-45371-00 Cinc / Zinc / Zinco	0,400 kg

MOTORES / ENGINES / MOTORI
Serie 80 - 100 HP 4T



Ref.	R.O.	Peso Weight Peso
TEN01141	67C-45371-00 Cinc / Zinc / Zinco	0,220 kg

MOTORES / ENGINES / MOTORI
Yamaha F40 - F50 - F60 4T



Ref.	R.O.	Peso Weight Peso
TEN01143	6J9-45371-00 Cinc / Zinc / Zinco	0,560 kg

MOTORES / ENGINES / MOTORI
Yamaha 150 - 225 HP



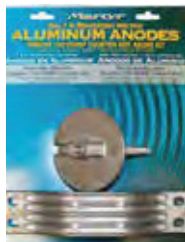
KIT ANODOS PARA FUERABORDAS KIT ANODES FOR OUTBOARDS KIT ANODI PER FUORIBORDO

Ref.	
CMY150KITA	Aluminio / Aluminium / Alluminio
CMY150KITM	Magnesio / Magnesium / Magnesio
CMY150CRKITA	Aluminio / Aluminium / Alluminio
CMY150CRKITM	Magnesio / Magnesium / Magnesio

MOTORES / ENGINES / MOTORI
150-200 HP



CMY150KITA, CMY150KITM



CMY150CRKITA, CMY150CRKITM
Contrarrotación
Counter rotation
Contro-rotante



Ref.	
CMY200250KITA	Aluminio / Aluminium / Alluminio
CMY200250KITM	Magnesio / Magnesium / Magnesio

MOTORES / ENGINES / MOTORI
200-250 HP



Ref.	
CMYHP200300KITA	Aluminio / Aluminium / Alluminio
CMY200300KITM	Magnesio / Magnesium / Magnesio

MOTORES / ENGINES / MOTORI
200-300 HP



MOTORES DE ARRANQUE STARTERS MOTORINI AVVIAMENTO

Ref.	R.O.	Tiempos Strokes Tempi
PH130-0061	6L2-81800-11/20, 682-81800-11/12	2

MOTORES / ENGINES / MOTORI

9.9-15HP (1984-97)
25HP (1988-98)
6HP (1984-90)
8HP (1984-90)



Ref.	R.O.	Tiempos Strokes Tempi
PH130-0049	689-81800-13/12/11	2

MOTORES / ENGINES / MOTORI

25-40HP - 30HP/20HP



Ref.	R.O.	Tiempos Strokes Tempi
PH130-0062	6J4-81800-01/00	2

MOTORES / ENGINES / MOTORI

30 HP (1987+)
40-50 HP (1989+)



Ref.	R.O.	Tiempos Strokes Tempi
PH130-0084	66T-81800-03/02	2

MOTORES / ENGINES / MOTORI

40 HP



Ref.	R.O.	Tiempos Strokes Tempi
PH130-0005	6CJ-81800-00, 6E5-81800-12/11	2, 4

MOTORES / ENGINES / MOTORI

40-50 HP
115-130HP V4
150-175-200HP V6



Ref.	R.O.	Tiempos Strokes Tempi
PH130-0063	6H4-81800-12 /11/10	2

MOTORES / ENGINES / MOTORI

40-50 HP (1984-1988)



YAMAHA

**RECAMBIOS
MARINOS S.L.**

Ref.	R.O.	Tiempos Strokes Tempi
PH130-0051	99999-03938-00, 6N7-81800-00/01/10	2

MOTORES / ENGINES / MOTORI
115-250HP V4



Ref.	R.O.	Tiempos Strokes Tempi
PH130-0059	69W-81800-00, 69L-81800-00	2, 4

MOTORES / ENGINES / MOTORI

V200 (1998+) 225 HWP (1994+)
F40 (2002-06) 250 HP (1990+)
F50 (2003-14)
F60 (2003-07)



Ref.	R.O.	Tiempos Strokes Tempi
PH130-0050	6H3-81800-11/10	2

MOTORES / ENGINES / MOTORI

9 Dientes / 9 Teeth / 9 Denti
50HP (1993-14)
60HP (1991+)
70HP (1984-14)



Ref.	R.O.	Tiempos Strokes Tempi
PH130-0007	99999-03249-00, 697-81800-10/12/13	2

MOTORES / ENGINES / MOTORI

55-60HP 2 CIL



Ref.	R.O.	Tiempos Strokes Tempi
PH130-0058	688-81800-12	2

MOTORES / ENGINES / MOTORI

75 HP (1994-99) 85HP (1992-03)
85 HP (1991-96) 80HP (1993-02)
90 HP (1984-14)



Ref.	R.O.	Tiempos Strokes Tempi
PH130-0056	68F-81800-03/02/01/00	2

MOTORES / ENGINES / MOTORI

LZ 150-175 HP (2000+)
VZ 150-175 HP (2000+)
Z 150-175 HP (2000+)
LZ 200-Z200 HP (2000+)



Ref.	R.O.	Tiempos Strokes Tempi
PH130-0034	66M-81800-01/02	4

MOTORES / ENGINES / MOTORI

F9.9
F13.5
F15 HP (2000-08)



Ref.	R.O.	Tiempos Strokes Tempi
PAF20-05000900W	6AH-81800-00 4	4

MOTORES / ENGINES / MOTORI

F13,5 ALL (2007-09)
F15 (2007-14)
F20 ALL (2007-14)



Ref.	R.O.	Tiempos Strokes Tempi
PH130-0029	65W-81800-01/02/03, 67C-81800-02	4

MOTORES / ENGINES / MOTORI

F20
F25HP (1999-09)
F30/F40 (2005-09)



Ref.	R.O.	Tiempos Strokes Tempi
PH130-0057	68V-81800-02/01/00	4

MOTORES / ENGINES / MOTORI

F80 (2005+)
F100 (2005+)
F115 (2000+)
LF115 (2000+)



Ref.	R.O.	Tiempos Strokes Tempi
PH130-0055	67F-81800-00/01/02/03	4

MOTORES / ENGINES / MOTORI

F80 HP (1999+)
F100 HP (1999+)



Ref.	R.O.	Tiempos Strokes Tempi
PH130-0073	63P-81800-00, 6BR-81800-00	4

MOTORES / ENGINES / MOTORI

FL, F150 AET, X, L (2009-11)
FL, F200 CETX (2009-11)
FL, F225 BET
X, U, CET, L (2009-11)
FL, F250 AET, X, U, BET, X, U (2009-11)



Ref.	R.O.	Tiempos Strokes Tempi
PH130-0074	69J-81800-00	4

MOTORES / ENGINES / MOTORI
F200, F225 HP (2002-2007)



Ref.	R.O.	Tiempos Strokes Tempi
PH130-0076	60V-81800-00, 60X-81800-00	4

MOTORES / ENGINES / MOTORI
250HP (2003-07)



SOLENOIDES Y RELÉS SOLENOID AND RELAYS SOLENOIDI E RELE

SOLENOIDE SOLENOID SOLENOIDI

Ref.	R.O.
PH375-0034	65W-81941-00

MOTORES / ENGINES / MOTORI
F20 (1998-09) F30 (2001-09)
F25 (1998-09) F40 (2000-09)



Ref.	R.O.
REC61A-81941-00	61A-81941-00, 6E5-81941-11

MOTORES / ENGINES / MOTORI
150 175
200 115
225 130
250 100HP



Ref.	R.O.
REC688-81950-10	688-81950-10

MOTORES / ENGINES / MOTORI
50G 80A
50D 90A
E60 60F
70B



Ref.	R.O.
PH375-0041	6G1-81941-10

MOTORES / ENGINES / MOTORI
6HP-90HP



RELÉ RELAY RELE

Ref.	R.O.
REC63P-81950-00	63P-81950-00

MOTORES / ENGINES / MOTORI
F25 - F250 (2004-16)



Ref.	R.O.
PH375-0042	68V-8194A-00, 68N-81940-00

MOTORES / ENGINES / MOTORI
F40 - F200 (2000-16)
Z / LZ / VZ200 (2004-07)
Z / LZ / VZ250 (2003-07)
Z / LZ / VZ300 (2004-07)



RELÉ POWER TRIM POWER TRIM RELAY RELE POWER TRIM

Ref.	R.O.
PH375-0047	6E5-81950-01

MOTORES / ENGINES / MOTORI
175HP (1991-96) 115HP (1995-13)
200HP (1991-10) 100HP (1996-01)
225HP (1996-09) 130HP (1991-07)
150HP (1996-03)



Ref.	R.O.
PH375-0048	6E5-8195A-01, 6E5-8195C-01

MOTORES / ENGINES / MOTORI
100 (1996-01)
115 (1991-13)
130 (1991-07)
150 (1998-07)
175 (1996-03)
200 (1991-10)
225 (1996-09)
F100 A/AET/TLR/TRZ (1999-06)
F100 BET (2003-12)
F100 CETL (2003)
40X/E40MLH (1998-03)
F80A/AET/TLR (1999-06)



MOTORES TRIM, TILT Y POWERTRIM TRIM, TILT ENGINES AND COMPLETE TRIM MOTORINI TRIM, TILT E POWERTRIM

INSTALACIÓN ELÉCTRICA WIRING HARNESS ISTALLAZIONE ELETTRICA

Ref. R.O.
PH200-WH01

Sustituye de 2 a 3 cables.
Converts 3-wire Tilt and Trim motors to 2-Wire design
Sustituisce da 2 a 3 cavi.



TRIM COMPLETO COMPLETE TRIM ASSEMBLY MOTORINO TRIM COMPLETO

Ref. R.O.
REC67C-43880-01 67C-43880-00, 01



MOTORES / ENGINES / MOTORI

T25 / FT25 (68V0 - 68V9) (2001-09)
T25 / FT25 (6BL1 - 6BL8) (2009-15)
F30 (69H1 - 69H9) (2001-09)
F30 (6BT1 - 6BT8) (2009-15)
F40 (67C0 - 67C8) (2001-09)
F40 (6BG1 - 6BG8) (2009-15)

4 Tiempos / 4 Strokes / 4 tempi



Ref. R.O.
PH200-T029 6H1-43880-02

MOTORES / ENGINES / MOTORI

Motor trim 3 tornillos - 2 cables
Trim motor 3 bolts - 2 wires
Motorino Trim 3 viti - 2 cavi

40HP (1994)
50-90HP (1992-95)
70-90 (1996)
60-70-90 (1998)
90HP (1992-02)



Ref. R.O.
PH200-T036 62Y-43880-02, 69W-43880-01

MOTORES / ENGINES / MOTORI

Motor trim 3 tornillos - 2 cables
Trim motor 3 bolts - 2 wires
Motorino Trim 3 viti - 2 cavi

40Y (2005-07)
40V (2003)
C40 (2002)
F40 (2002)
F50
FT50 (2002-07)



Ref. R.O.
PH200-T035 62X-43880-09

MOTORES / ENGINES / MOTORI

Motor trim 3 tornillos - 2 cables
Trim motor 3 bolts - 2 wires
Motorino Trim 3 viti - 2 cavi

40V (1995-98)
F45 (1995-99)
50H (1995-98)
F50 (1995-99)
FT50 (1996-00)



Ref. R.O.
PH200-T048 6H5-43880-02/09

MOTORES / ENGINES / MOTORI

40-50HP (1984-94)



Ref. R.O.
PH200-T045 6C5-43880-01/00

MOTORES / ENGINES / MOTORI

Motor trim 3 tornillos - 2 cables
Trim motor 3 bolts - 2 wires
Motorino Trim 3 viti - 2 cavi

F40 (2006-10)
F60 (2006-10)
F50 (2005-10)
FT60 (2006-10)
40-50HP (1985-92)



Ref. R.O.
PH200-T037 6H1-43880-00, 688-43880-11,
6E5-43880-01/02

MOTORES / ENGINES / MOTORI

Motor trim 3 tornillos - 3 cables
Trim motor 3 bolts - 3 wires
Motorino Trim 3 viti - 3 cavi

60 90
70 115
75 150
80 200HP
85



Ref. R.O.
PH200-T044 67F-43880-00

MOTORES / ENGINES / MOTORI

F75 (2003-04)
F80 (1999-03)
F90 (2003-04)
F100 (1999-02)



Ref. R.O.
REC18-6865

MOTORES / ENGINES / MOTORI

3 RAM
115-225HP



Ref. R.O.
PH200-T030 6G5-43880-01/00

MOTORES / ENGINES / MOTORI

Motor trim 3 tornillos - 2 cables
Trim motor 3 bolts - 2 wires
Motorino Trim 3 viti - 2 cavi

115-200 (1987-95)
225 (1990-94)



Ref.	R.O.
PH200-T069	69J-43880-00/01

MOTORES / ENGINES / MOTORI

F200
F225 (2002+)
F250 (2005+)
Z300



Ref.	R.O.
PH200-T057	64E-43880-00 64E-43880-01/03/04

MOTORES / ENGINES / MOTORI

Motor trim 4 tornillos - 2 cables
Trim motor 4 bolts - 2 wires
Motorino Trim 4 viti - 2 cavi

225
250HP
115
225 (1997-02)



Ref.	R.O.
PH200-T050	61A-43880-01/02, 69W-81800-00

MOTORES / ENGINES / MOTORI

Motor trim 3 tornillos - 4 cables
Trim motor 3 bolts - 4 wires
Motorino Trim 3 viti - 4 cavi

225
250HP



Ref.	R.O.
REC6D8-43880-09	6D8-43880-00, 6D8-43880-09



MOTORES / ENGINES / MOTORI

F75TR,TLR,BET (2005)
F80AET,BET (2005-06)
F100AET,DET (2005-06)



TILT

Ref.	R.O.
PAT40-10020500	65W-43880-00, 65W-43880-01



MOTORES / ENGINES / MOTORI

F20AE, AET, DET (1998-15)
F25A, AET, AMH, AW, EH, ELH, MHA, DMH, DET (1998-15)
F45AET/F50TJR (1999)
25J, JEO, ESH (1999)
30D, DETO, DMH (1999-10)
40X/E40X (1998-03)



**REGULADORES Y RECTIFICADORES
REGULATOR AND RECTIFIERS
REGOLATORI E RADDRIZZATORI**

Ref.	R.O.
REC6H2-81960-10	6H2-81960-10

MOTORES / ENGINES / MOTORI

40
50
60
70



Ref.	R.O.
REC6G1-81970-62	6G1-81970-61/62

MOTORES / ENGINES / MOTORI

70HP



Ref.	R.O.
REC67F-81960-12	67F-81960-00



MOTORES / ENGINES / MOTORI

F75AETL (2003)
F80A,TLR,TJRA (1999-06)
F90AET,TRB,TLRB (2003)
F100A,TLR,BET,CET (1999-12)



Ref.	R.O.
REC6H0-81960-00	6H0-81960-00



MOTORES ENGINES MOTORI	MODELO MODEL MODELLO	AÑOS YEARS ANNI	TIEMPOS STROKES TEMPI
75 A, AEM, AEHD	692 - 6922	1997-02	2
85 A, AE, AED, AEDL, AEDH, AEDX, AET, AETL, AETX	688 - 688F	1997-15	2
E115 A, AE, AEL, AMH, AMHL, AET, AETL, AETX	61U0-61UG	2001-15	2

Ref.	R.O.
REC68V-81960-10	68V-81960-10



MOTORES / ENGINES / MOTORI

F40DET,GET,HET	(2011-16)
FT7/F50FED,FET,HED	(2011-16)
FT/T/F60A,B,CET,FET,DET,GET	(2011-16)
F70A,AET	(2011-16)
F115A,AET,TJR,TRG	(2007-15)



Ref.	R.O.
REC6G5-81960-A0	6G5-81960-A0

MOTORES / ENGINES / MOTORI

75	(1988-96)
85	(1989-96)
90	(1984-91)
115	(1991-96)
130	(1988-89)
150	(1984-89)
150	(1997)
175	(1984-89)
200	(1984-89)



Ref.	R.O.
REC61A-81950-01	61A-81950-00, 61A-81950-01



MOTORES ENGINES MOTORI	AÑOS YEARS ANNI	TIEMPOS STROKES TEMPI
50 - 250Hp	1990-16	2
F20, F25	1998-09	4



CDI

Ref.	R.O.
REC688-85540-00	688-85540-00



MOTORES ENGINES MOTORI	MODELO MODEL MODELLO	AÑOS YEARS ANNI	TIEMPOS STROKES TEMPI
E75 BMHD, BMHDL	6925 - 692Y	2003-15	2
75 A, AED, AEDL, AEM, AEHD, AET, AETL	692 - 692Y	1997-15	2
75 A'08	692E	2008	2
85, A, AE, AED, AEDL, AEDX, AEHD, AET, AETX	688 - 688F	1997-15	2
85 A'07, A'08	6886 - 6887	2007-08	2



**STARTOR
STARTOR
STARTORI**

Ref.	R.O.
REC688-85510-10	688-85510-11/10

MOTORES / ENGINES / MOTORI

75	(1988-96)
85	(1989-96)
90	(1984-90)



Ref.	R.O.
REC688-85510-01	688-85510-00, 688-85510-01



MOTORES ENGINES MOTORI	MODELO MODEL MODELLO	AÑOS YEARS ANNI	TIEMPOS STROKES TEMPI
E75 BMHD, BMHDL	6925 - 692Y	2003-15	2
75 A, AED, AEDL, AEM, AEHD, AET, AETL	692 - 692Y	1997-15	2
75 A'08	692E	2008	2
85 A, AE, AED, AEDL, AEDX, AEHD, AET, AETX	688 - 688F	1997-15	2
85 A'07, A'08	6886 - 6887	2007-08	2



Ref.	R.O.
REC6G5-85510-11	6G5-85510-10

MOTORES / ENGINES / MOTORI

200	(1984-89)
-----	-----------



Ref.	R.O.
REC6H1-85510-00	6H1-85510-00

MOTORES / ENGINES / MOTORI

80A	(1990-91)
AE	(1990-91)
90 AEO	(1990-91)
AETO	(1990-91)



Ref.	R.O.
REC6E5-85510-11	6E5-85510-11/10

MOTORES / ENGINES / MOTORI

115	(1984-89), (1991-98)
130	(1988-89)
150	(1984-89)



Ref.	R.O.
PAF25-05140000	65W-85510-10

MOTORES / ENGINES / MOTORI

F20	(1998-06)
F25	(1998-09)
T25/FT25	(2000-09)
F30	(2001-09)
F40	(2000-09)



CAJAS NEGRAS POWER PACKS CENTRALINE

Ref.	R.O.
REC63V-85540-00-01	63V-85540-00/01

MOTORES / ENGINES / MOTORI

9.9, 15HP (1995-08)
13, 5HP (2003-04)



Ref.	R.O.
REC61N-85540-00	61N-85540-00

MOTORES / ENGINES / MOTORI

25 (1997-07)
30 (1996-08)
200 (1993)



Ref.	R.O.
REC6F5-85540-22	6F5-85540-22

MOTORES / ENGINES / MOTORI

E40 (2003)



Ref.	R.O.
REC695-85540-11	695-85540-11/12

MOTORES / ENGINES / MOTORI

E40 (2003)
9.9 (1986-95)
15 (1986-95)
20 (1985-02)
25 (1985-02)



Ref.	R.O.
REC6G0-85540-11	6G0-85540-11

MOTORES / ENGINES / MOTORI

175 (1986-89)
200 (1986-89)
150 (1988)
225 (1987-89)



Ref.	R.O.
REC663-85540-15	663-85540-11/15

MOTORES / ENGINES / MOTORI

55 (1990-93)



Ref.	R.O.
REC6E0-85540-71	6E0-85540-71/70

MOTORES / ENGINES / MOTORI

4 (1984-03)
5 (1984-14)



Ref.	R.O.
REC689-85540-21	689-85540-21/20

MOTORES / ENGINES / MOTORI

25 (1984-87)
30 (1984-87)
30 (1989-90)
40 (1990)



Ref.	R.O.
REC696-85540-12	696-85540-12/11/10

MOTORES / ENGINES / MOTORI

6 (1984-99)
8 (1984-04)



Ref.	R.O.
REC6B4-85540-01	6B4-85540-01

MOTORES / ENGINES / MOTORI

E9.9 DMH-5 (2003)
E15 DMH -5 (2003)



Ref.	R.O.
REC6J8-85540-H2	6J8-85540-H2

MOTORES / ENGINES / MOTORI

25J/EO/SH (1999)
30D/ETOL/EOS/MHS
MHOL, E, L, H (1999+)



Ref.	R.O.
REC66T-85540-00-01	66T-85540-01

MOTORES / ENGINES / MOTORI

40X/E40X
MLH
XW (1998+)



Ref.	R.O.
REC6E5-85540-12	6E5-85540-12/11/10

MOTORES / ENGINES / MOTORI

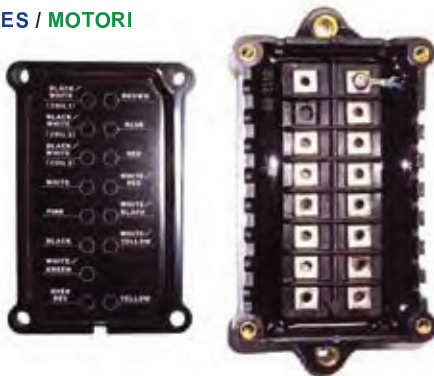
- 115 (1984-89)
- 115 (1991-98)
- 130 (1988-89)



Ref.	R.O.
REC688-85540-16	688-85540-16

MOTORES / ENGINES / MOTORI

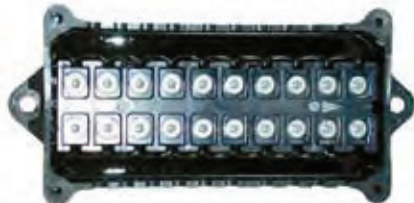
- 75
- 85



Ref.	R.O.
REC6G5-85540-12	6G5-85540-12/11/10

MOTORES / ENGINES / MOTORI

- 150HP (1984-89)



**BOBINAS
COILS
BOBINE**

Ref.	R.O.	Tiempos / Strokes / Tempi
PAF2.6-04000600	69M-85640-00	4

MOTORES / ENGINES / MOTORI

- F2.5 ALL (2003+)



Ref.	R.O.	Tiempos / Strokes / Tempi
REC63V-85520-00	63V-85520-00	2

MOTORES / ENGINES / MOTORI

- 15F (1995+)
- 9,9 F/M (1995+)
- 13,5 A (2003-04)



Ref.	R.O.	Tiempos / Strokes / Tempi
PAF15-07000300	66M-85520-00	4

MOTORES / ENGINES / MOTORI

- F15 ALL (1998-07)
- F9.9 ALL (1998-08)
- F13.5 ALL (2002-07)



**BOBINA DE IGNICIÓN
COIL IGNITION
BOBINE INIEZIONE**

Ref.	R.O.	Tiempos / Strokes / Tempi
PAF4-04000038	67D-85640-00	4

MOTORES / ENGINES / MOTORI

- F4 ALL (1998+)



Ref.	R.O.	Tiempos / Strokes / Tempi
PAF25-05120000	65W-85570-01	4

MOTORES / ENGINES / MOTORI

- F20A/E (1998-06)
- F25A/B/T/M (1998-09)



Ref.	R.O.	Tiempos / Strokes / Tempi
REC6F5-85570-11	6F5-85570-13	4

MOTORES / ENGINES / MOTORI

- F9.9 (2009+)
- F20/25 B/F (2007+)
- F13.5 B/M (2007+)
- F15 C/M/E (2007-09)



Ref.	R.O.	Tiempos / Strokes / Tempi
PAF15-0700600	66M-85570-00	4

MOTORES / ENGINES / MOTORI

F15 ALL (1998-07)
 F9.9 ALL (1998-08)
 F13.5 ALL (2002-07)



Ref.	R.O.	Tiempos / Strokes / Tempi
REC6R3-85570-01	6R3-85570-01	2

MOTORES / ENGINES / MOTORI

200 A/E/F (1997-10) 130 B/T (1994-07)
 150 F/T (1994-07) 115 C/T (1994-13)
 175D (1996-03) 130 BETO (1994-01)
 225D (1996-09)



Ref.	R.O.	Tiempos / Strokes / Tempi
REC697-85570-00	697-85570-00	2

MOTORES / ENGINES / MOTORI

50G/ETOL (1995-07) 90A/T/ETOL (1997-14)
 75T/L/A/C/B (1997-14) 60F/T/ETOL (1995-07)
 85A/E/TDL/X (1997-03) 70B/E/ETOL (1995-14)
 55 B/M/ET (1995-02)



Ref.	R.O.	Tiempos / Strokes / Tempi
REC61N-85570-01	61N-85570-00, 61N-85570-01	2

MOTORES / ENGINES / MOTORI

20 D, DEM, MLH, MSH, DMH, DWO,
 DWH (6L3 - 6L3A) (1994-11) **NEW**
 E25 A (61N) (1998)
 25B, BMH, BWC, BWHVM (61R0 - 69RG) (2001-15)
 E25 BMH (63P3 - 69PG) (2003-15)
 25 N, NE, MLH, MSH, NMH, NW,
 MH (6L2 - 6L2G) (1994-15)
 30 G, C30 ELRW (61T - 61T0) (1998-01)
 330 HMH (60B3) (2003)



Ref.	R.O.	Tiempos / Strokes / Tempi
REC689-81311-40	66M-85570-00	2

MOTORES / ENGINES / MOTORI

3A (1985-92)
 40Q (1990-98)



Ref.	R.O.	Tiempos / Strokes / Tempi
REC697-85570-10	697-85570-11	2

MOTORES / ENGINES / MOTORI

55HP 2 Cil. (1989-94)
 90A/ETN/AETO (1984-88)
 80A (1984-89)



Ref.	R.O.	Tiempos / Strokes / Tempi
REC6E5-85570-11	6E5-85570-11/10	2

MOTORES / ENGINES / MOTORI

115HP 4Cil. (1984-91)
 140A/E (1984-89)
 150
 175
 200HP (1984-89)



Ref.	R.O.	Tiempos / Strokes / Tempi
REC6E7-85570-19	6E7-85570-19-00	2

MOTORES / ENGINES / MOTORI

9.9/15HP (1988-95)
 20C/D (1985-93)
 25C/D (1985-93)



Ref.	R.O.	Tiempos / Strokes / Tempi
REC63V-85570-00	65E-85570-00	2

MOTORES / ENGINES / MOTORI

9,9 / 15F/M (1995-13)
 13,5A (2003-04)
 E15 (2003)



Ref.	R.O.	Tiempos / Strokes / Tempi
REC66T-85570-00	66T-85570-00	2

MOTORES / ENGINES / MOTORI

E40 (1998+)
 40X/M (1998+)



BOBINA DE PULSACIÓN
COIL PULSER
BOBINE ACCENSIONE

Ref.	R.O.	Tiempos / Strokes / Tempi
PAF25-05110000	65W-85580-00	4

MOTORES / ENGINES / MOTORI

F25 ALL (1998-09)
F40 E
B (2000-09)
F30 A
ERZ
ML (2001-09)



Ref.	R.O.	Tiempos / Strokes / Tempi
PAF15-07000200	66M-85580-00	4

MOTORES / ENGINES / MOTORI

F15 ALL (1998-07)
F9.9 ALL (1998-08)
F13.5 ALL (2002-07)



Ref.	R.O.	Tiempos / Strokes / Tempi
PAF15-07000400	66M-85533-00	4

MOTORES / ENGINES / MOTORI

F15 ALL (1998-07)
F9.9 ALL (1998-08)
F13.5 ALL (2002-07)



Ref.	R.O.	Tiempos / Strokes / Tempi
REC63V-85580-01	63V-85580-01	2

MOTORES / ENGINES / MOTORI

9,9/15 F/M (2003+)
13,5A (2003-04)



Ref.	R.O.	Tiempos / Strokes / Tempi
REC66T-85580-00	66T-85580-00	2

MOTORES / ENGINES / MOTORI

E40 (1998+)
40X/M (1998+)

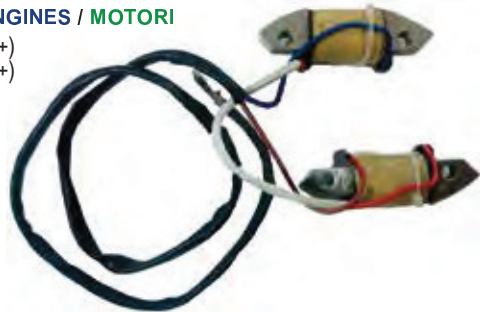


BOBINA DE CARGA
COIL CHARGER
BOBINE DI CARICA

Ref.	R.O.	Tiempos / Strokes / Tempi
REC66T-85520-00		2

MOTORES / ENGINES / MOTORI

E40 (1998+)
40X/M (1998+)

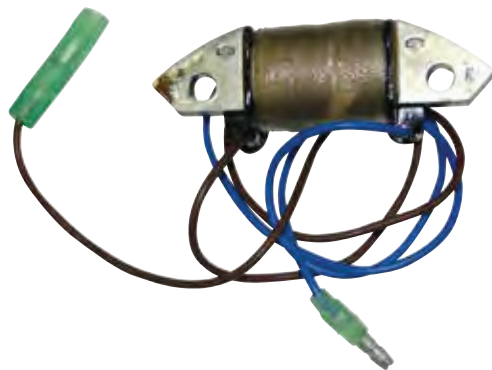


Ref.	R.O.	Tiempos / Strokes / Tempi
REC69P-85541-09	69P-85541-09	2

MOTORES / ENGINES / MOTORI

E25 B, BMH (69P1 - 69PG) (2001-15)
25 B, BMH, BWC, BWH, MWS (69R1 - 69RG) (2001-15)
E30 HMH (60B3) (2003)
30 H, HMH, HWH, HWS, HWL, HW, HWC (69S3 - 69SG) (200315)

NEW



BOBINA DE LUZ
COIL LIGHTING
BOBINE LUCE

Ref.	R.O.	Tiempos / Strokes / Tempi
REC63V-85533-00	63V-85533-00	2

MOTORES / ENGINES / MOTORI

9,9/15 F/M (1995+)
13,5 AM (2003-04)
E9.9/15 (2003)



Ref.	R.O.	Tiempos / Strokes / Tempi
REC66T-85533-00	66T-85533-00	2

MOTORES / ENGINES / MOTORI

E40 (1998+)
40X/M (1998+)



DESCONECTORES DE SEGURIDAD CUT OFF SWITCHES CHIAVETTA DI SICUREZZA

Ref.	R.O.
REC688-82575-01	688-82575-01



Ref.	R.O.
REC69W-82575-00	69W-82575-00



Ref.	R.O.
REC66T-82575-01	66T-82575-01

MOTORES / ENGINES / MOTORI

E40X
MLHZ
X
MH (2001+)



Ref.	R.O.
REC6G8-81870-00	6G8-81870-00

MOTORES / ENGINES / MOTORI

F8A-B (1986-99)
F9.9A
M,E,B (1985-99)
9.9F (1995-2000)
9.9-15-8-6/C-M-D (1984-2002)



Ref.	R.O.
REC65W-82575-01	65W-82575-01

MOTORES / ENGINES / MOTORI

F2.5
T-F 6-8
F9.9 -F15
9.9F-M
F13.5
F25 (2002+)



Ref.	R.O.
REC6A0-82550-01	6A0-82550-01

MOTORES / ENGINES / MOTORI

9.9D/15D (1985-93)
8N/JCEM (1984-96)
6CEM/6DEM (1984-96)



Ref.	R.O.
REC6E9-82575-02	6E9-82575-00

MOTORES / ENGINES / MOTORI

E30/GE/BMH (1996-12)
25V/M/E/B (1996-10)
6/8C/TRV/MSH (1996-12)



KITS

Interruptor de encendido para todo tipo de motores fueraborda o intraborda.

Emergency and stop switch for inboard or outboards.

Interruttore di accensione per tutti i tipi di motori fuoribordo o entro bordo.

Ref.	Envase / Pack / Qnt
REC40970	Kit completo / Complete kit / Kit completo 1 x blister
REC40990	Cuerda tirador de recambio / Spare 1 x blister
	Corda elastica di ricambio
GS11290	Kit completo / Complete kit / Kit completo 1 x blister
GS11291	Cuerda tirador de recambio / Spare 1 x blister
	Corda elastica di ricambio
GS11292	Kit completo / Complete kit / Kit completo 1 x blister



REC40970 - REC40990

GS11290 - GS11291



GS11292

Ref.	Envase / Pack / Qnt
GS11294	1 x blister

GOLDENSHIP

Kit de 8 llaves de recambio para:
Kit of 8 spare keys for:

Kit di 8 chiavi di ricambi per:

J/E, OMC, Mercury, Yamaha, Honda,
Suzuki, Tohatsu.



LLAVES DE ARRANQUE IGNITION STARTER SWITCH CHIAVI DI ACCENSIONE

Ref.	R.O.	Tiempos / Strokes / Tempi
PAF15-13000200W	703-82510-12	2, 4
REC61B-82510-02	61B-82510-01	2
REC703-82510-44	703-82510-43	2, 4
REC6K1-82510-07	6K1-82510-06	2, 4



PAF15-13000200W
Montaje en mando control
Control box
Montaggio nel telecomando

REC61B-82510-02
Montaje en panel
Dash mount
Montaggio nel pannello



REC703-82510-44
Llave con choque
Push t. Choke
Chiave con contatto

REC6K1-82510-07
Llave doble instalación
Dual engine application
Chiave doppia installazione

SENSOR TEMPERATURA TEMPERATURE SENSOR SENSORI TEMPERATURA

Ref.	R.O.
REC688-82560-10	688-82560-10

MOTORES / ENGINES / MOTORI
40 - 300 HP (2Tiempos / 2 Strokes / 2 tempi)
(1984-16)

NEW



SENSORES OXÍGENO OXYGEN SENSOR SENSORI OSSIGENO

Ref.	R.O.
REC67H-8592A-01	67H-8592A-01

MOTORES / ENGINES / MOTORI
LX200/5X200 (2001-05)
DX150/LX150 (2001-05)
SX150/VX150 (2001-05)



Ref.	R.O.
REC68F-8592A-00	68F-8592A-00

MOTORES / ENGINES / MOTORI
200HP (2001-2007)
150HP (2001-2007)
175HP (2001-2007)
L, Z, V-PETO, TLR, NETO



BUJÍAS CHAMPION SPARK CHAMPION CANDELE CHAMPION

Potencia HP Power HP Potenza HP	Año Year Anno	Ref
2 Tiempos / Stroke / Tempi		
2	1984+	CHAL90C
3	1988+	CHAQL86C
5	1984+	CHAQL82C/L82C
6	1986+	CHAQL82C/L82C
8	1984+	CHAQL82C/L82C
9.9	1984+	CHAQL82C/L82C
20	1996+	CHAQL82C/L82C
25	1999+	CHAQL82C/L82C
30	1984+	CHAQL82C/L82C
40	1984+	CHAQL82C/L82C
50	1995+	CHARA8HC
70	1984+	CHAQL78C
90B	1984+	CHAQL78C
90	1984-2000	CHAQL78C
115	1984-2005	CHAQL78C
130	1989+	CHAQL78C
150 Carb	1996+	CHAQL82C/L82C
150 EFI	1999-2000	CHAQL78C
150 EFI	2000+	CHARC12YC
150 MPDI	2000+	CHARC12YC
150 VMAX	1997+	CHAQL78C
175	1984+	CHAQL78C
175 VMAX	1992+	CHAQL78C
200 LX	1999+	CHAQL78C
200 LZ	1999+	CHARC9YC4
200 SX	1999+	CHAQL78C
200 VX	2000+	CHAQL78C
200 Z	2000+	CHARC9YC4
225	2000+	CHAQL77JC4/L77JC4
250	2000+	CHAQL77JC4/L77JC4
4 Tiempos / Stroke / Tempi		
2.5F	2003+	CHAQL86C
4F	1999+	CHAQL86C
9.9Fi	1996+	CHAZ9Y
9.9T	1996+	CHAZ9Y
15F	1999+	CHARA8HS
25F	1998+	CHARA8HS
30F	2001+	CHARA8HC
40F	1999+	CHARA8HS
50F	1999+	CHARA8HC
60	2002+	CHARA8HC
75	2003+	CHAREC10YC4
80	1999+	CHAREC10YC4



BUJÍAS NGK SPARK NGK CANDELE NGK



Potencia HP Power HP Potenza HP	Año Year Anno	Ref
2 Tiempos / Stroke / Tempi		
2A		NGKB6HS
2B	87-	NGKBR5HS
2B	85-86	NGKB7HS
2B	-84	NGKBR5HS
2C	95-	NGKB7HS
3,5A/AC		NGKB6HS
3A (Malta)		NGKBR6HS-10
4A/AC/AS/BC		NGKBR7HS
4A/B	01-	NGKB7HS
5A/AS		NGKB7HS
5B/BS		NGKB6HS
5C		NGKBR7HS
5D		NGKB5HS
6A		NGKB6HS
6B		NGKB5HS
6C		NGKBR7HS-10
6D		NGKBR6HS-10
7A		NGKB6HS
8A		NGKB6HS
8B		NGKB7HS
8C		NGKBR7HS-10
E8D		NGKBR7HS-10
9.5A		NGKB7HS
9.9B		NGKB7HS
9.9D		NGKBR7HS-10
9.9F	95-	NGKBR7HS-10
9A		NGKB6HS
12A		NGKB7HS
13.5A		NGKBR7HS-10
13.5F		NGKB7HS-10
15A		NGKB7HS
15B		NGKB7HS
15C		NGKB7HS
15D		NGKBR7HS-10
15F	95-	NGKBR7HS-10
20A		NGKB6HS
20B		NGKB6HS
20C (C20)	99-	NGKB7HS
20C/CE/CM		NGKBR7HS-10
20D		NGKBR7HS-10
25A		NGKB7HS
25B	-94	NGKB7HS
25B	01-	NGKBR7HS-10
25B/25Q	95-00	NGKBR7HS-10
25CMK		NGKB6HS
25D (25)		NGKB7HS
25DE		NGKBR7HS-10
25J		NGKBR7HS-10
25N		NGKBR7HS-10
25V (25)	95-	NGKBR7HS-10
28A/AE		NGKB7HS
30A/AE/AM		NGKB7HS
30D		NGKBR7HS-10
30G	95-	NGKB8HS-10
30H	01-	NGKB8HS-10
40AE/AM/AR		NGKB8HS
40BE/BM/BR		NGKB8HS
40C		NGKB8HS
40D	-89	NGKB8HS
40F		NGKB8HS
40FE		NGKB7HS-10
40GK		NGKB7HS
40H		NGKBR7HS-10
40J	01-	NGKB7HS
40Q (40)	95-	NGKBR8HS
40V	95-	NGKBR7HS-10
40X	-00	NGKBR7HS
40Y (ET)	01-	NGKBR8HS-10
40Y (MH)	01-	NGKBR7HS-10
48A/B		NGKB7HS
50	01-	NGKB8HS-10
50C		NGKB8HS
50CE		NGKB8HS-10

Potencia HP Power HP Potenza HP	Año Year Anno	Ref
50D		NGKBR8HS-10
50G/50H	95-	NGKBR8HS-10
E60H		NGKBR8HS-10
60TLRB	03-	NGKB7HS-10
55AE	-78	NGKB8HS
55AE	79-	NGKB8HS-10
55AEM/AM/AW		NGKB8HS
55B		NGKB8HS-10
55B	90-	NGKBR8HS-10
55B(M)	95-	NGKB8HS
55BM/BW		NGKB8HS
60	01-	NGKB8HS-10
60AE	-78	NGKB8HS
60AE	79-	NGKB8HS-10
60B		NGKB8HS-10
60CE/CET		NGKB8HS-10
60D	86-	NGKBR8HS-10
60DE		NGKB8HS-10
60F		NGKBR8HS-10
E60H		NGKBR8HS-10
70B		NGKBR8HS-10
70C		NGKBR8HS-10
70ETO		NGKBR8HS-10
75A		NGKBR8HS-10
75B		NGKBR8HS-10
75C		NGKBR8HS-10
80A		NGKBR8HS-10
85A		NGKBR8HS-10
90A		NGKBR8HS-10
100AETOL	98-	NGKBR8HS-10
100A		NGKBR8HS-10
115A	04-	NGKB8HS-10
115AEO/AO		NGKBR8HS-10
115B/BETO		NGKBR8HS-10
115C		NGKBR8HS-10
115D	95-	NGKBR8HS-10
130A		NGKBR9HS-10
130B	95-	NGKBR9HS-10
130BETO		NGKBR9HS-10
140A		NGKBR8HS-10
140B	-88	NGKBR8HS-10
140B	89-	NGKBR9HS-10
140BETO		NGKBR9HS-10
140C/L140C	95-	NGKBR9HS-10
150A	86-	NGKBR8HS-10
150A	-85	NGKBR7HS-10
150AETO/CETO		NGKBR8HS-10
150C		NGKBR8HS-10
150F/L150F		NGKBR7HS-10
150G		NGKBR7HS-10
Z150P/Q		NGKBKR6EKU
D150H		NGKBR8HS-10
175A		NGKBR8HS-10
175B		NGKBR8HS-10
175D		NGKBR8HS-10
175F		NGKBR8HS-10
Z175GH		NGKR7EKU
200A/B	95-	NGKBR8HS-10
200C		NGKBR9HS-10
200F (L200F)		NGKBR8HS-10
200G		NGKBR8HS-10
Z200N		NGKR7EKU
220A / AET	86-	NGKBR8HS-10
225AETO		NGKBR8HS-10
225AO/BETO/B/C		NGKBR9HS-10
L225B/C/G		NGKBR9HS-10
225D		NGKBR8HS-10
225G		NGKBR9HS-10
250A / L250A		NGKBR8HS-10
250B / L250B		NGKBR9HS-10
Z250D	2005+	NGKBKR6EKU
Z250D/F	-2004	NGKR7EKU
Z300A	-2004	NGKBKR6EKU
Z300A	2005+	NGKBKR6EKU

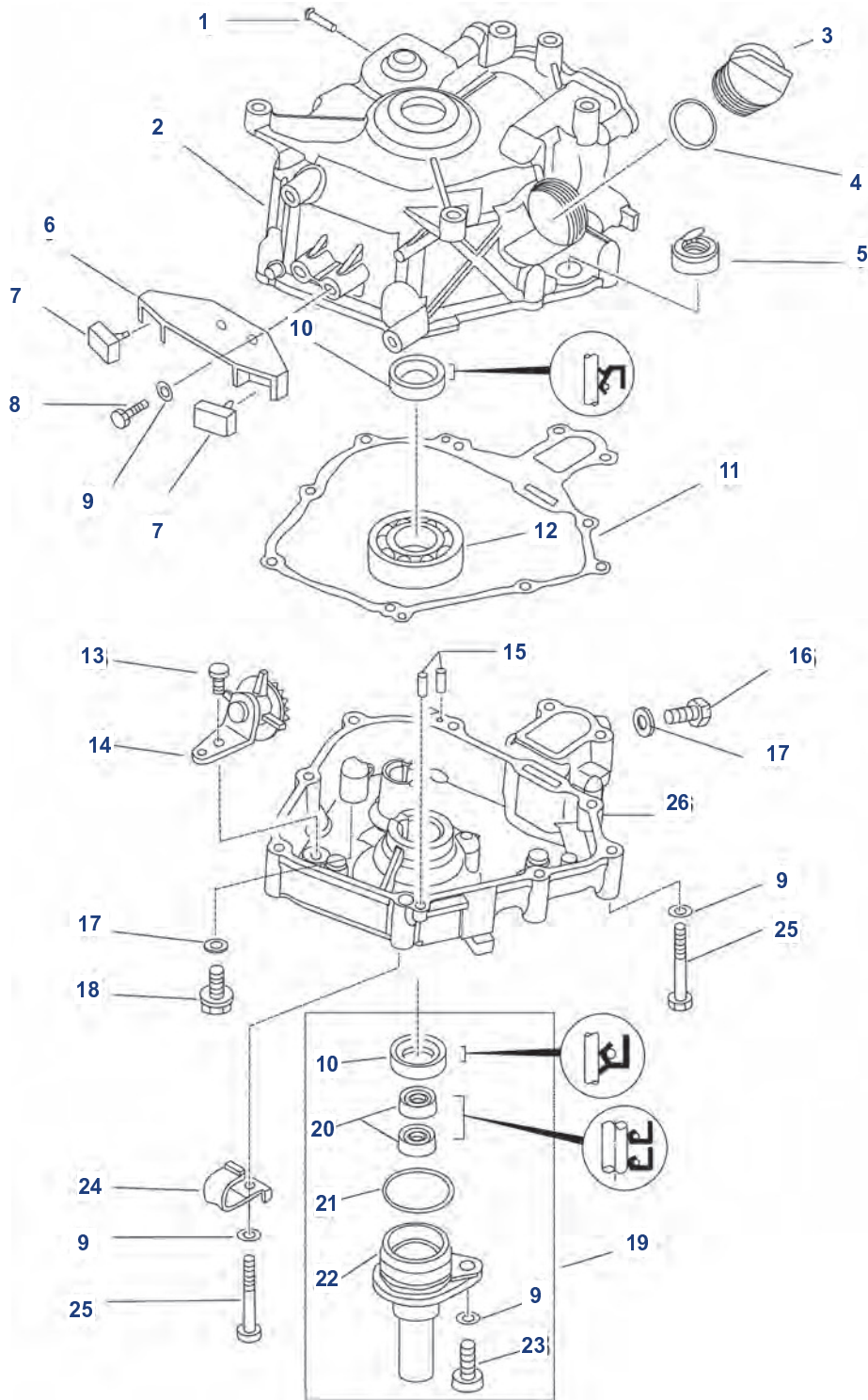
Potencia HP Power HP Potenza HP	Año Year Anno	Ref
4 Tiempos / Stroke / Tempi		
F2.5A	02-	NGKBR6HS
F4A	98-	NGKBR6HS
F6A	00-	NGKBR6HS-10
F6B	01-	NGKBR6HS-10
F8	01-	NGKBR6HS-10
F8-A	85-	NGKCR6HS
F8B/AM-AEM	86-02	NGKCR5HS
F8B/BM/BE	86-	NGKCR5HS
F8C	00-	NGKBR6HS-10
F9.9DE		NGKBR7HS-10
F9.9A	85-00	NGKCR6HS
F9.9B	86-00	NGKCR6HS
F9.9C/D	98-03	NGKDPR6EA-9
F13.5 A	98-03	NGKDPR6EA-9
F15A	98-03	NGKDPR6EA-9
F20A	98-01	NGKDPR6EA-9
F25A (E, ET)	98-02	NGKDPR6EA-9
F25A (MH)		NGKDPR6EA-9
F30A	01-02	NGKDPR6EA-9
F30 OHC	01-02	NGKDPR6EA-9
F40A/B	00-02	NGKDPR6EA-9
F40C		NGKDPR5EA-9
F45A/AETL	98-	NGKDPR6EA-9
F50A/B	95-02	NGKDPR6EA-9
F60A	02-	NGKDPR5EA-9
F80A	00-03	NGKLF5A-11
F100A	99-03	NGKLF5A-11
F115 V-41 7L	99-03	NGKLF6A-11
F115A (FL-115A)		NGKLF6A-11
F150A (FL-150A)		NGKLF5A-11
FT8D		NGKBR6HS-10
FT9.9A	98-	NGKCR6HS
FT9.9D		NGKDPR6EA-9
FT25B		NGKDPR6EA-9
FT50B/BETL	98-	NGKDPR6EA-9
FT50C/G		NGKDPR6EA-9
FT60B/D		NGKDPR5EA-9
FX700(FX-1)	95-	NGKBR8HS
F150A		NGKLF5A-11
F200A		NGKLF5A-11
F225A		NGKLF5A-11
F300		NGKLF6A-11
F350		NGKLF6A-11

BLOQUE MOTOR ENGINE BLOCK BLOCCO MOTORE

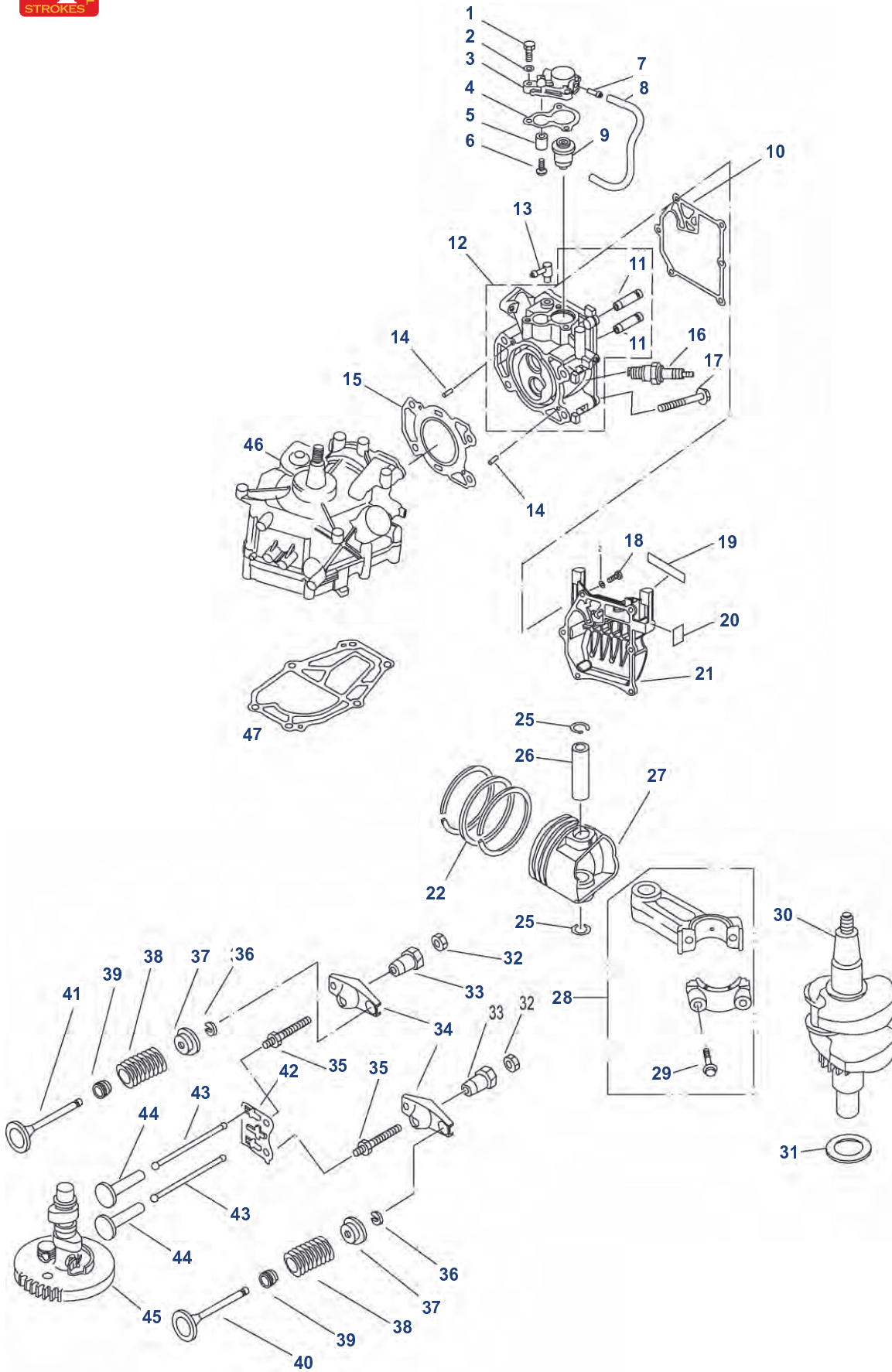
RECMAR®

4
STROKES
TIEMPOS

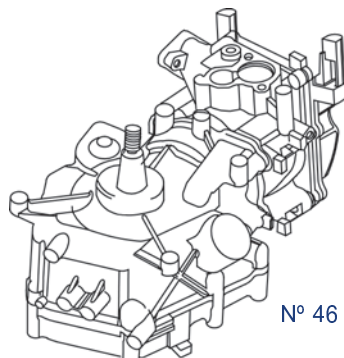
F2.5 AMH/MLH/MSH/MHA (ALL) (2003+)



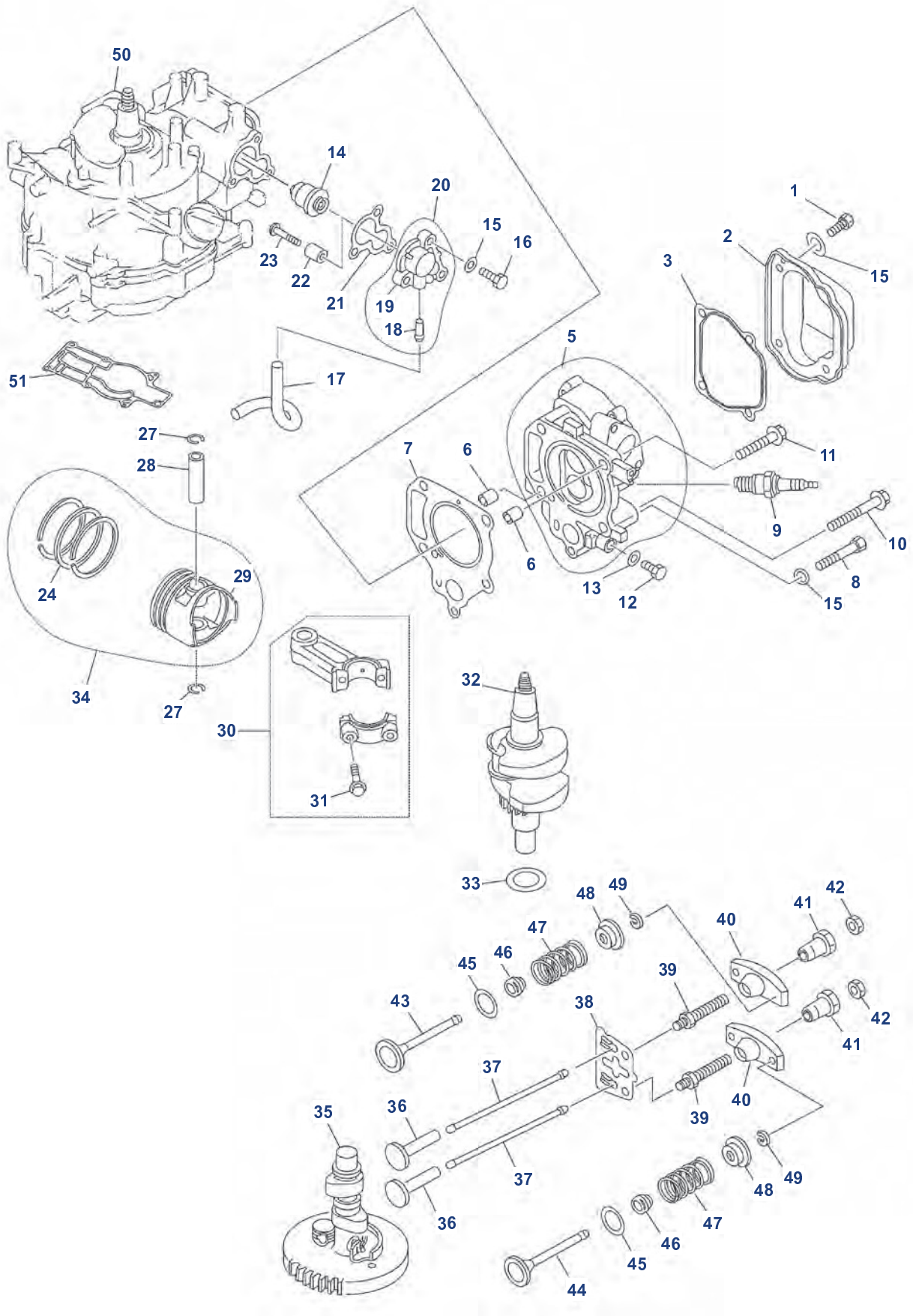
Nº	Ref.	R.O. OEM	Descripción	Description	Descrizione	Cantidad Qty Quantità
1	PAT15-04010202	6H1-14485-00	TUBO AGUA	PIPE, WATER	TUBO ACQUA	1
2	PAF2.6-04010100	69M-E1311-00-1	CARCASA MOTOR	CRANK CASE	COPERCHIO MOTORE	1
3	PAF15-07050004	69M-E5363-00	TAPÓN ACEITE	PLUG, OIL	TAPPO OLIO	1
4	PAJASOF40431-025	93210-24M79	ARO TÓRICO	O-RING	O-RING	1
5	PAF2.6-04010102	69M-15361-00	INDICADOR NIVEL	GAUGE, LEVEL	INDICATORE LIVELLO	1
6	PAF2.6-04000008	69M-G2743-00	SOPORTE MOTOR	BRACKET, DAMPER	SUPPORTO MOTORE	1
7	PAF2.6-04000009	6G8-44352-00	GOMA SOPORTE	RUBBER BLOCK, DAMPER	GOMMA SUPPORTO	2
8		92995-06600	TORNILLO	BOLT	VITE	2
9		92995-06600	ARANDELA	WASHER	RONDELLA	11
10	PAF2.6-04010001	93102-20108	RETÉN	OIL SEAL	PARAOLIO	2
11	PAF2.6-04000004	69M-11351-A0	JUNTA MOTOR	CRANK CASE COMPLEX GASKET	GUARNIZIONE	1
12		93306-272Y2	RODAMIENTO	BALL BEARING	CUSCINETTO	1
13		95817-06012	BOLT	TORNILLO	VITE	1
14	PAF2.6-04050100	69M-E3102-00	PIÑÓN	GEAR UNIT ASSY	PIGNONE	1
15	PAF15-00000013	93604-12M07	PIN	PIN	SPINOTTO	2
16		97095-08014	TORNILLO	BOLT	VITE	1
17	PAF4-04000006	90201-08818-00	ARANDELA	WASHER	RONDELLA	2
18	PAF4-04000001	90105-08M76	TORNILLO DRENAJE	BOLT, DISCHARGING OIL	VITE DRENAGGIO	1
19		93102-09004	RETÉN Y CUERPO	OIL SEAL SHELL ASSY	GUARNIZIONE E CORPO	1
20	PAF2.6-04060002	93210-09004	RETÉN	OIL SEAL	PARAOLIO	2
21	PAF4-04060002	93210-35537	ARO TÓRICO	O RING	O-RING	1
22	PAF2.6-04060001	69M-E5396-00	CUERPO RETÉN	SHELL, OIL SEAL	GUARNIZIONE CORPO	1
23	PAGB/T5783-2000	90465-08M99	TORNILLO	BOLT	VITE	1
24		90465-08M99	BRIDA SUJECIÓN	CLAMP A	FLANGIA	1
25	PAGB/T5783-2000	97013-06045	TORNILLO	BOLT	VITE	8
26	PAF2.6-04050001	69M-E5111-00-1S	CARTER	CRANKCASE COVER	CARTER	1



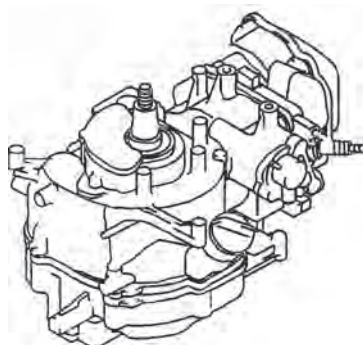
Nº	Ref.	R.O. OEM	Descripción	Description	Descrizione	Cantidad Qty Quantità
1		97095-06020	TORNILLO	BOLT	VITE	3
2		92995-06600	ARANDELA	WASHER, PLATE	RONDELLA	9
3	PAF2.6-04000501	69M-E2413-00-1S	TAPA TERMOSTATO	COVER, THERMOSTAT	TAPPO TERMOSTATO	1
4	PAF4-04000011	68D-E2414-A0	JUNTA TAPA TERMOSTATO	GASKET, THERMOSTAT	GUARNIZIONE TAPPO TERMOSTATO	1
5	PAF4-04070003	68D-E1325-00	ÁNODO	ANODE	ANODO	1
6		97880-05025	TORNILLO	SCREW, PAN HEAD	VITE	1
7	PAF4-04010002	650-24378-00	PIPA	PIPE, JOINT	TUBO	1
8	PAF2.6-04000007	90445-09808	TUBO DE AGUA	PIPE, WATER	TUBO DELL'ACQUA	1
9	PAT15-04000010	69M-12411-01	TERMOSTATO	THERMOSTAT	TERMOSTATO	1
10	PAF2.6-04000005	69M-11193-A0	JUNTA TAPA BALANCINES	GASKET, CYLINDER COVER	GUARN. COPERCHIO PUNTERIE	1
11		67D-11133-10	GUÍA VÁLVULA	VALVE GUIDE BUSH	GUIDA VALVOLA	2
12	PAF2.6-04040100	69M-E1111-00-1S	CULATA	CYLINDER HEAD ASSY	TESTATA	1
13	PAF15-04000005	676-11372-00	PIPA	SPILE WATER ASSY	TUBO	1
14	PAF15-00000013	93604-12M07	PIN	GEAR UNIT ASSY	SPINOTTO	2
15	PAF2.6-04000001	69M-11181-00	JUNTA CULATA	GASKET, CYLINDER HEAD	GUARNIZIONE TESTATA	1
16	NGKBR6HS	94702-00248	BUJÍA	SPARK PLUG	CANDELA	1
17	PAF4-04000034	90105-08M36	TORNILLO	BOLT	VITE	4
18		90105-06039	TORNILLO	BOLT	VITE	6
19	PAF2.6-07000008	68D-E2138-40	ADHESIVO	MARK 8	ADESIVO	1
20	PAF4-08000110	67D-42797-10	ADHESIVO	MARK 10	ADESIVO	1
21	PAF2.6-04000006	69M-E1191-00-1S	TAPA BALANCINES	COVER, CYLINDER HEAD	COPERCHIO PUNTERIE	1
22	REC69M-E1603-01	69M-E1603-01	AROS KIT	PISTON RING KIT	FASCIA KIT	1
25	PAF2.6-04020006	93450-13130	CLIP	CIRCLIP	CLIP	2
26	PAF2.6-04020005	69M-E1633-00	BULÓN	PIN, PISTON	BULLONE	1
27	PAF2.6-04020001	69M-E1631-01-96	PISTÓN	PISTON	PISTONE	1
28	PAF2.6-04020100	69M-11650-00	BIELA	ROD, CONNECTING	BIELLA	1
29	PAF2.6-04020103	7FK-11654-00	TORNILLO	BOLT	VITE	2
30	PAF2.6-04030000	69M-11400-00	CIGÜEÑAL	CRANK ASSY	ALBERO MOTORE	1
31	PAF2.6-04000003	90201-23008	ARANDELA	WASHER, PLATE	RONDELLA	1
32	PA166F-010011	7FK-12158-00	TUERCA	LOCK NUT	GHIERA	2
33	PA166F-010010	7FK-12165-00	TUERCA BALANCÍN	PIVOT, ROCKER ARM	DADO BILANCERE	2
34	PA166F-010009	67D-12151-00	BALANCÍN	ARM, VALVE ROCKER	BILANCERE	2
35	PA166F-010008	67D-12157-00	TORNILLO BALANCÍN	BOLT, ROCKER ARM	VITE PUNTERIE	2
36	PA166F-010006	7NJ-12118-00	SEGURO VÁLVULA	CLAMP, VALVE	VALVOLA DI SICUREZZA	2
37	PAF4-04080010	7NJ-12117-00	RETÉN RESORTE	SPRING, VALVE RETAINER	VALVOLA DI RITEGNO	2
38	PAF4-04080008	68D-E2113-00	MUELLE	SPRING, VALVE STEM	MOLLA	2
39	PA166F-010003	51Y-12119-00	RETÉN	SEAT, VALVE STEM	GUARNIZIONE	2
40	PA166F-010001	67D-12111-00	VÁLVULA ADMISIÓN	VALVE, INTAKE	VALVOLA ASPIRAZIONE	1
41	PA166F-010002	67D-12121-00	VÁLVULA ESCAPE	VALVE, EXHAUST	VALVOLA SCARICO	1
42	PAF2.6-04040001	69M-E2155-00	PLETINA	PLATE, PUSH ROD	ASTA	1
43	PAF2.6-04000002	69M-12154-00	VARILLA	ROD, VALVE PUSH	VALVOLA SPINTA	2
44	PA166F-000001	JA9-12153-00	EMPUJADOR	LIFTER, VALVE	BILANCERE	2
45	PAF2.6-04000100	69M-12170-01	ÁRBOL DE LEVAS	CAMSHAFT ASSY	ALBERO MOTORE	1
46	POWERHEAD2.6	69M-WE0090-01-1S	MOTOR	POWER HEAD	MOTORE	1
47	PAF2.6-00000003	69M-45113-A0	JUNTA BASE MOTOR	GASKET ENGINE	GUARNIZIONE BASE MOTORE	1



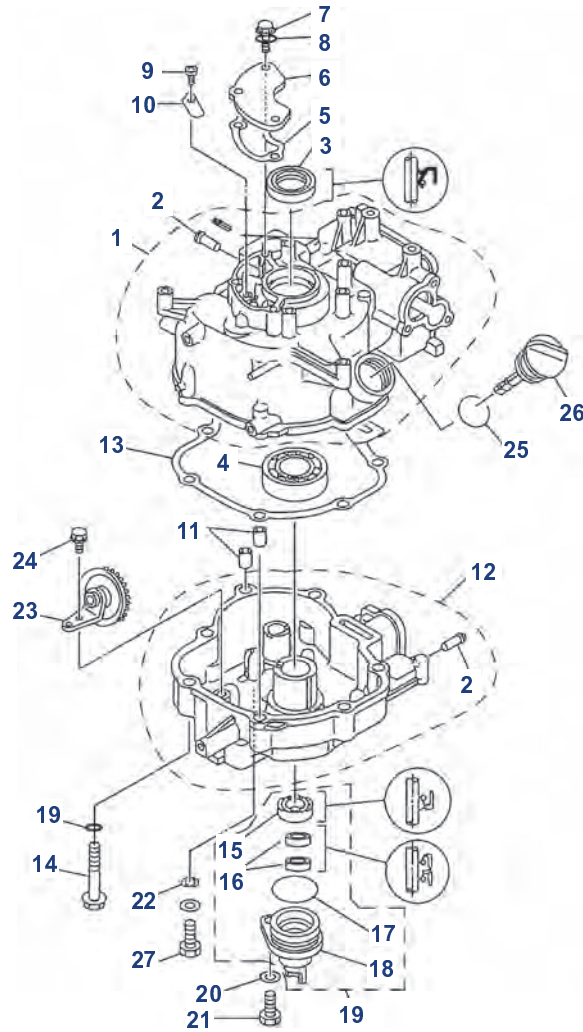
Nº 46



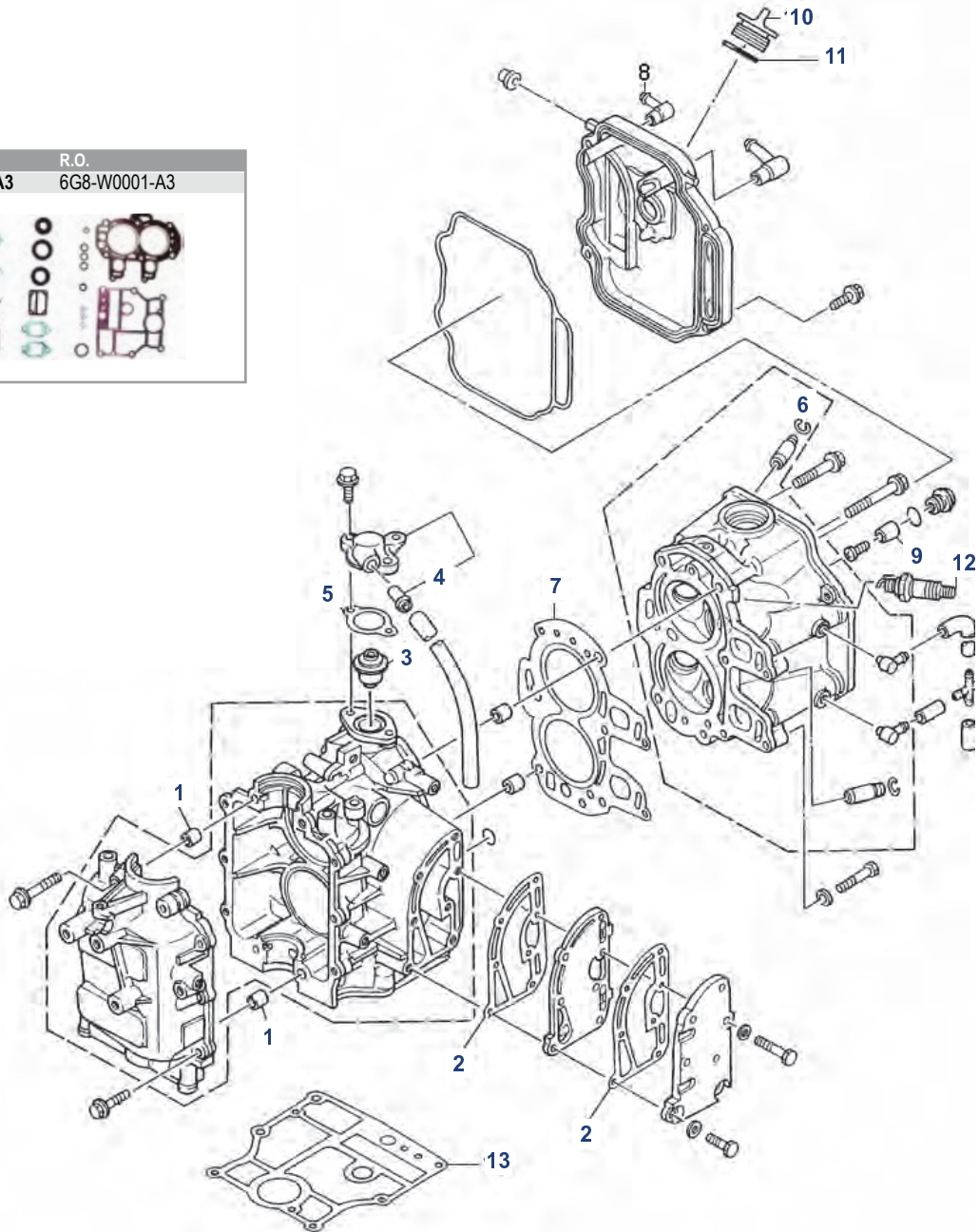
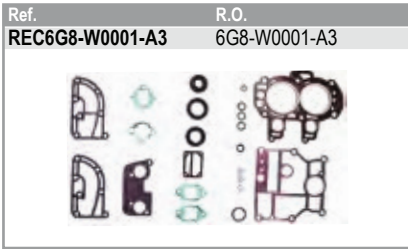
Nº	Ref.	R.O. OEM	Descripción	Description	Descrizione	Cantidad Qty Quantità
1		40105-06M14-00	TORNILLO	BOLT, HEXAGON	VITE	4
2	PAF4-04000018	67D-11191-00	TAPA BALANCINES	COVER,CYLINDERHEAD	COPERCHIO BILANCERE	1
3	PAF4-04000017	68D-E1193-A0	JUNTA TAPA	GASKET, CYLINDER COVER	GUARNIZIONE COPERCHIO	1
4			CONECTOR	PIPE, VALVE	CONNETTORE	2
5	PAF4-04080101	68D-E1111-10-1S	CULATA	CYLINDER, HEAD	TESTATA	1
6	PAF4-04000003	99510-10114	PIN	PIN, HOLLOW	SPINOTTO	2
7	PAF4-04000014	67D-11181-A0	JUNTA CULATA	GASKET, CYLINDER HEAD	GUARNIZIONE TESTATA	1
8		40105-06M25-00	TORNILLO	BOLT, HEXAGON	VITE	1
9	NGKBPR7HS	94702-00248	BUJÍA	PLUG, SPARK	CANDELA	1
10	PAF4-04000034	90105-08M36-00	TORNILLO	BOLT, CYLINDER HEAD "A"	VITE	3
11	PAF4-04000033	90105-08046-00	TORNILLO	BOLT	VITE	1
12		97095-08014-00	TORNILLO	BOLT, HEXAGON	VITE	1
13		90430-08800-00	ARANDELA	WASHER, PLATE	RONDELLA	1
14	PAT15-04000010	69M-12411-01	TERMOSTATO	TEHRMOSTAT	TERMOSTATO	1
15		92995-066000-00	ARANDELA	WASHER, PLATE	RONDELLA	8
16		97095-06020-00	TORNILLO	BOLT, HEXAGON	VITE	3
17	PAF4-04000012	90445-09807	TUBO	PIPE, RETURN	TUBO	1
18	PAF4-04010002	650-24378-00	CONECTOR	SPILEWATER	CONNETTORE	1
19	PAF4-04070001		TAPA TERMOSTATO	COVER, THERMOSTAT	COPERCHIO TERMOSTATO	1
20	PAF4-04070100	68D-E2413-001S	TAPA TERMOSTATO	COVER ADN SPLIE WATER ASSY	TAPPO TERMOSTATO	1
21	PAF4-04000011	68D-E2414-A0	JUNTA TAPA TERMOSTATO	GASKET, THERMOSTAT	GUARN. COPERCHIO TERMOSTATO	1
22	PAF4-04070003	68D-E1325-00	ÁNODO	ANODE	ANODO	1
23		97880-05025-00	TORNILLO	SCREW, PANHEAD	VITE	1
24	REC68D-E1603-00	68D-E1603-00	ARO PISTÓN KIT	PISTONRING KIT	FASCIA PISTONE KIT	1
27	PAF4-04020006	93450-14088	CLIP	CIRCLIP	CLIP	2
28	PAF4-04020005	68D-E1633-00	BULÓN	PIN, PISTON	BULLONE	1
29	PAF4-04020001	68D-E1631-00-96	PISTÓN	PISTON	PISTONE	1
30	PAF4-04020100	67D-11650-00	BIELA	ROD, CONNECTING	BIELLAA	1
31	PAF4-04020103		TORNILLO	BOLT, ROD CLEVEL	VITE	2
32	PAF4-04030000	67D-11400-00	CIGÜEÑAL	CRANK ASSY	ALBERO MOTORE	1
33	PAF4-04000004	90201-266P2	ARANDELA	WASHER, PLATE	RONDELLA	1
34	PAF4-04020200		PISTÓN	PISTON ASSY	PISTONE	1
35	PAF4-04040000	68D-E2170-00	ÁRBOL DE LEVAS	CAMSHAFT ASSY	ALBERO MOTORE	1
36	PA166F-000001	JA9-12153-00	EMPUJADOR	LIFTER, VALVE	BILANCERE	2
37	PAF4-04000015	67D-12154-00	VARILLA	ROD, VALVE PUSH	VALVOLA SPINTA	2
38	PAF4-04080009	68D-E2155-00	PLETINA	PLATE, PUSH ROD	ASTA	1
39	PA166F-010008	67D-12157-00	TORNILLO	BOLT, ROCKER ARM	VITE	2
40	PA166F-010009	67D-12151-00	BALANCÍN	ARM, VALVE ROCKER	BILANCERE	2
41	PA166F-010010	7FK-12165-00	TUERCA BALANCÍN	PIVOT, ROCKER ARM	DADO BILANCERE	2
42	PA166F-010011	7FK-12158-00	TUERCA	LOCKNUTM 6x0.75	GHIERA	1
43	PAF4-04080005	67D-12111-00	VÁLVULA ADMISIÓN	VALVE, INTAKE	VALVOLA ASPIRAZIONE	1
44	PAF4-04080006	67D-12121-00	VÁLVULA ESCAPE	VALVE, EXHAUST	VALVOLA SCARICO	1
45	PAF4-04080007	68T-12116-00	ARANDELA ASIENTO	SEAT, VALVE SPRING	RONDELLA BASAMENTO	2
46	PAPS2700.04.03	51Y-12119-00	RETÉN VÁLVULA	SEAT, VALVE STEM	GOMMINO VALVOLA	2
47	PAF4-04080008	68D-E2113-00	MUELLE	SPRING, VALVE INNER	MOLLA	2
48	PAF4-04080010	7NJ-12117-00	RETÉN RESORTE	SPRING, VALVE RETAINER	VALVOLA DI RITEGNO	2
49	PA166F-010006	7NJ-12118-00	SEGURO VÁLVULA	CLAMP, VALVE	VALVOLA DI SICUREZZA	2
50	PAF4-04000000	680-WE090-11-15	MOTOR	POWER HEAD 4-5	MOTORE	1
51	PAF4-00000006	67D-45113-A0	JUNTA BASE MOTOR	GASKET ENGINE	GUARNIZIONE BASE MOTORE	1



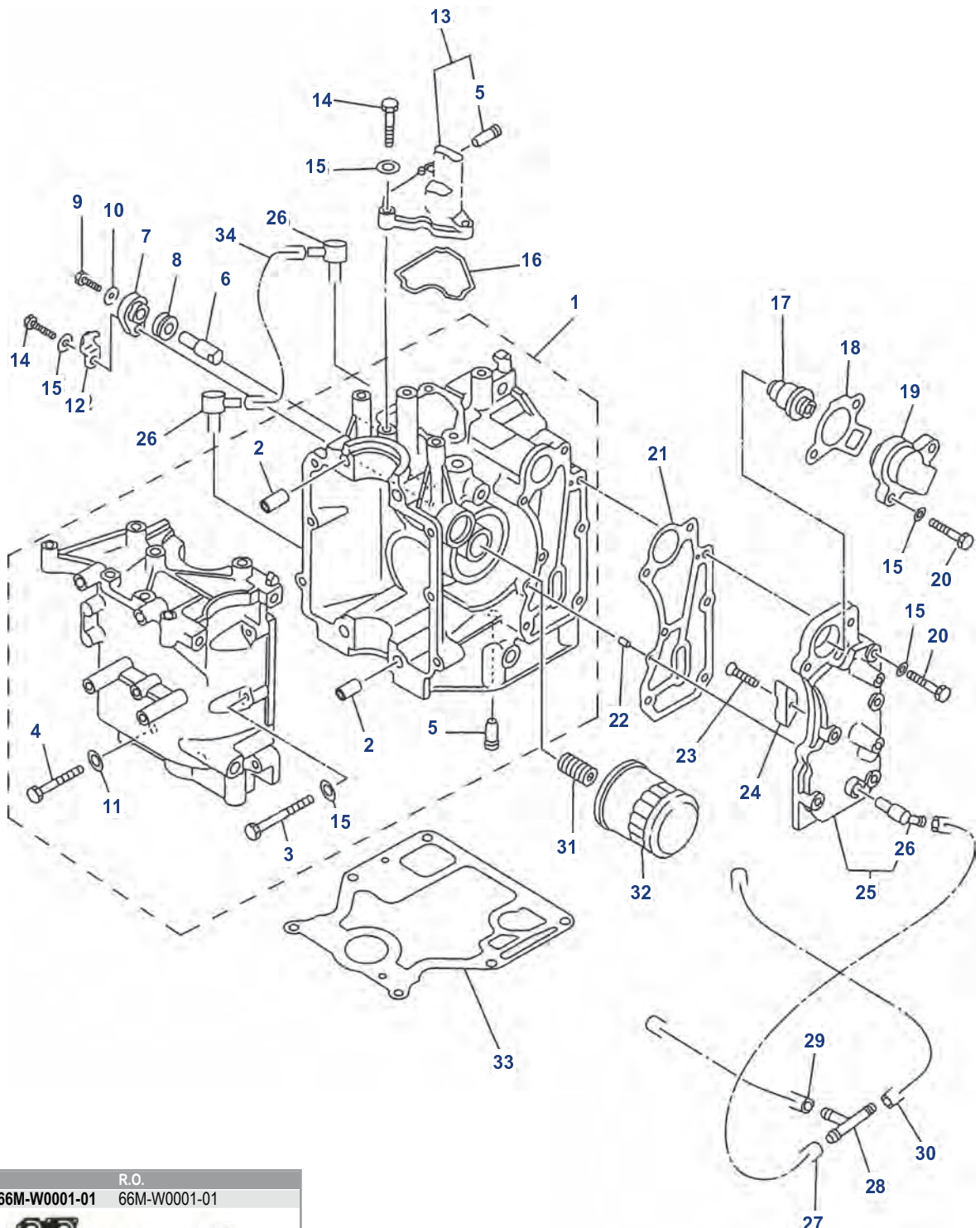
Nº 50



Nº	Ref.	R.O. OEM	Descripción	Description	Descrizione	Cantidad Quantity Quantità
1	PAF4-04010100	68D-E1311-02-15	CILINDRO	CRANK CASE	CILINDRO	1
2	PAF4-04010002	650-24378-00	PIPA	PIPE, JOINT	TUBO	1
3	PAF4-04010004	93102-25090	RETÉN	OIL SEAL	PARAOLIO	1
4	PAGB/T276-94	93306-205YD	RODAMIENTO	BEARING	CUSCINETTO	1
5	PAF4-04000009	68D-E1169-A0	JUNTA	BREATHER GASKET	GUARNIZIONE	1
6	PAF4-04000010	68D-E1168-00	TAPA	COVER	TUBO	1
7		90119-06M80-00	TORNILLO	BOLT, HEXAGON	VITE	3
9		98503-04066-00	TORNILLO	SCREW, PAN HEAD	VITE	1
10	PAF4-04010003	68D-E5346-00	VÁLVULA	VALVE, BREATHER FLAP	VALVOLA	1
11	PAF4-04000003	99510-10114	PIN	HOLLOWPIN	SPINOTTO	2
12	PAF4-04050001	68D-E5111-00-1S	CARTER	COVER, CRANK CASE	CARTER	1
13	PAF4-04000002	68D-11351-A0	JUNTA CARTER	CRANK CASE COMPLEX	GUARNIZIONE CARTER	1
14		97575-08550-00	TORNILLO	BOLT, HEXAGON	VITE	7
15	PAF4-04060003	93102-20108	RETÉN	OIL SEAL	PARAOLIO	1
16	PAF4-04060004	93102-10004	RETÉN	OIL SEAL	PARAOLIO	2
17	PAF4-04060002	93210-35537	TÓRICA	O-RING	O-RING	1
18	PAF4-04060001	68D-E5396-00-5B	CUERPO RETÉN	SHELL, OIL SEAL	CORPO GUARNIZIONE	1
19	PAF4-04060000		CUERPO RETÉN COMPLETO	OIL SEAL, SHELL ASSY	CORPO GUARNIZIONE COMPLETO	1
20	PAGB/T97.1-8	92955-08600-00	ARANDELA	WASHER, PLATE	RONDELLA	8
21		97095-08020-00	TORNILLO	BOLT, HEXAGON	VITE	1
22	PAF4-04000006	90201-08818	ARANDELA	WASHER	RONDELLA	1
23	PAF4-04050100	68D-E3102-00	PIÑÓN	GEAR UNIT ASSY	PIGNONE	1
24		95817-06012-00	TORNILLO	BOLT, HEXAGON	VITE	1
25	PAF4-04000008	93210-24M79	TÓRICA	O-RING	O-RING	1
26	PAF4-04000007	68D-E5362-00	TAPÓN MEDIDOR NIVEL	PLUG WITH DIPSTICK	TAPPO LIVELLO	1
27	PAF4-04000001	97095-08020-00	TAPÓN DRENAJE	BOLT, DISCHARGING OIL	TAPPO DRENAGGIO	1



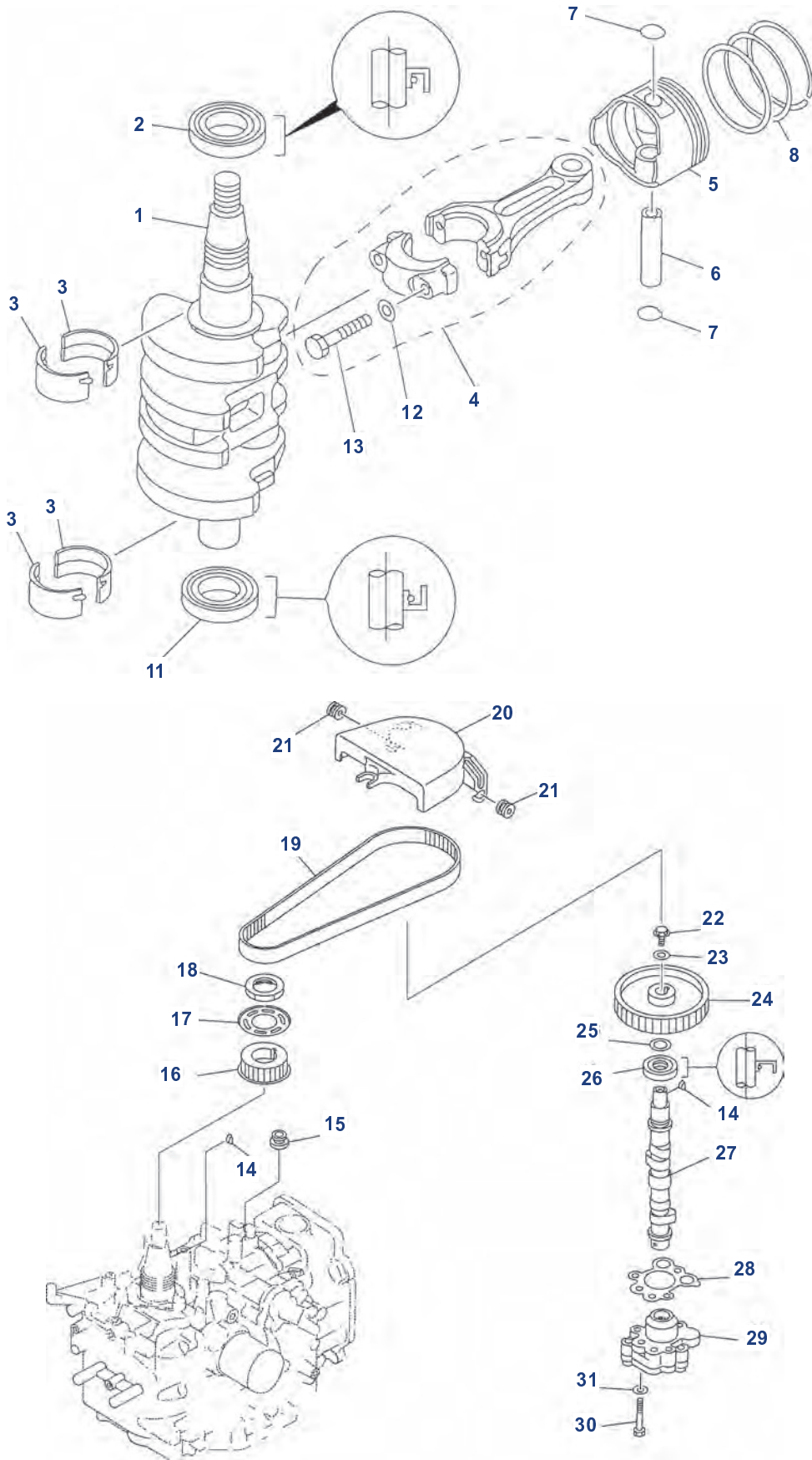
Nº	Ref.	R.O. OEM	Descripción	Description	Descrizione	Cantidad Qty Quantità
1	PAF15-07000001	91810-03014	TORNILLO	BOLT	VITE	2
2	REC6G8-41112-02	6G8-41112-02	JUNTA	GASKET	GUARNIZIONE	2
3	PAT15-04000010	6G8-12411-00	TERMOSTATO	THERMOSTAT	TERMOSTATO	1
4	PAF15-07010006	6E5-24377-00	PIPA	UNION TUBE 2	TUBO	1
5	REC6G8-12414-A0	6G8-12414-00	JUNTA TAPA TERMOSTATO	GASKET	GUARNIZIONE COPERCHIO TERMOSTATO	1
6		93450-09M01	CIERRE	LOCK	FERMO	4
7	REC6G8-11181-A1	6G8-11181-00	JUNTA CULATA	HEAD CYLINDER GASKET 1	GUARNIZIONE TESTATA	1
8	PAF15-04000005	676-11372-00	PIPA	HOSE NIPLE	TUBO	2
9	CM6G8-11325-00	6G8-11325-00	ÁNODO	ANODE	ANODO	1
10	PAF15-07050004	6G8-15363-00	TAPÓN ACEITE	OIL PLUG	TAPPO OLIO	1
11	PAJASOF40431-025	93210-24M79	TÓRICA	O-RING	O-RING	1
12	NGKCR6HS	94701-00282	BUJÍA	SPARK PLUG	CANDELA	2
13	REC6G8-11351-A0	6G8-11351-00	JUNTA BASE MOTOR	GASKET ENGINE	GUARNIZIONE BASE MOTOR	1



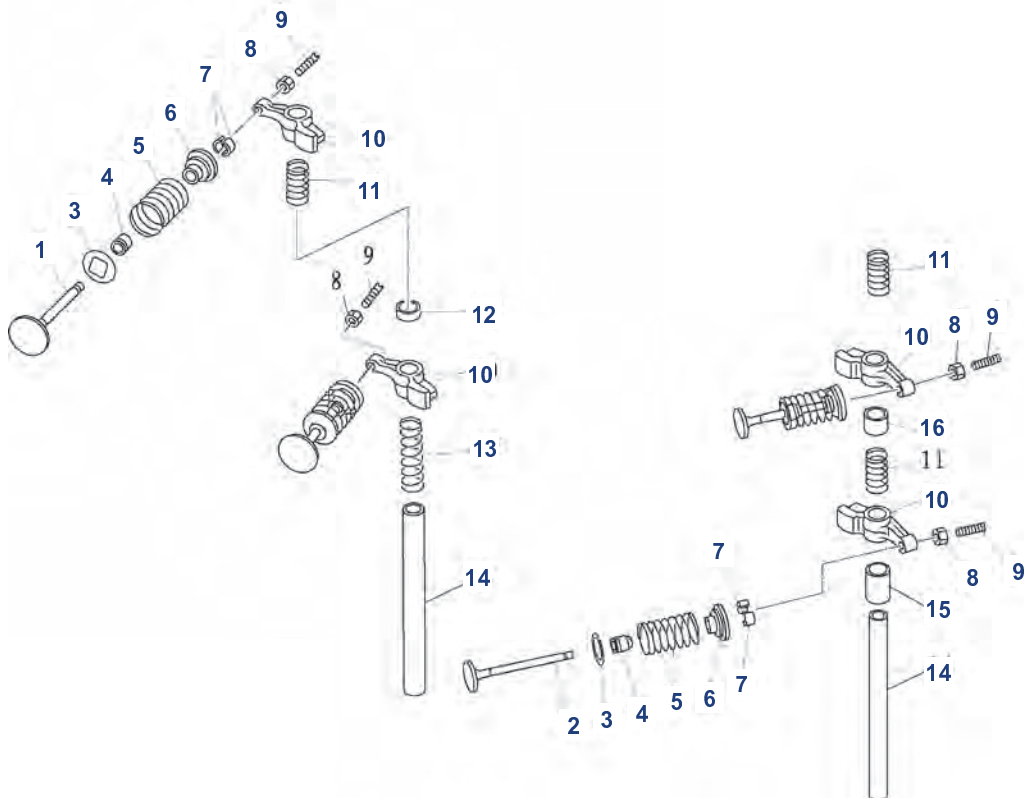
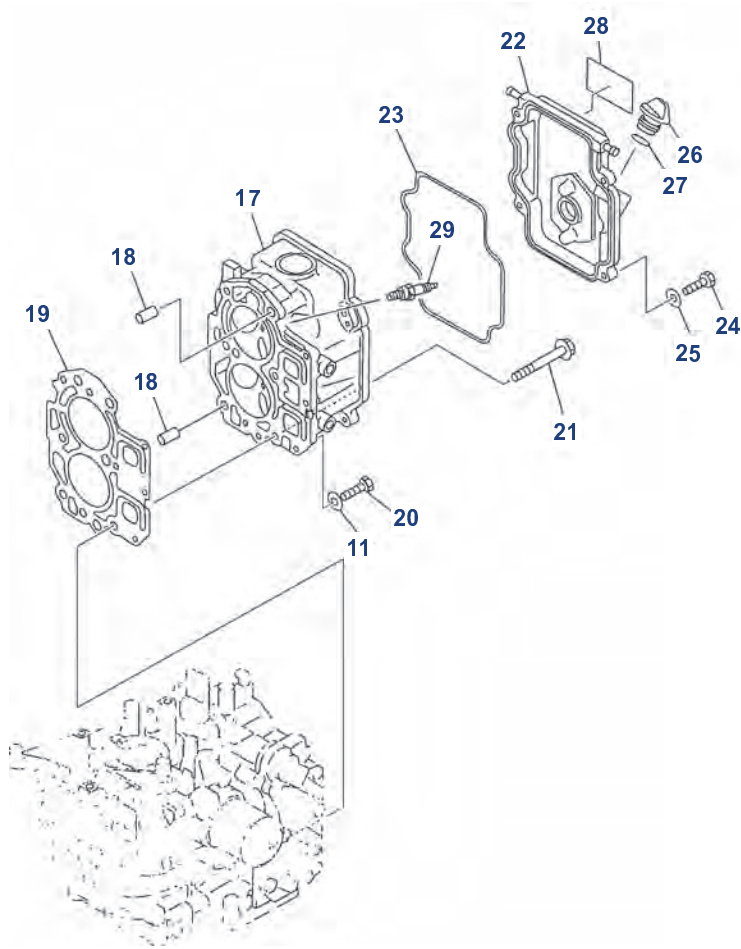
Ref.	R.O.
REC66M-W0001-01	66M-W0001-01

Kit juntas de motor
Power head gasket kit
Kit guarnizione motore

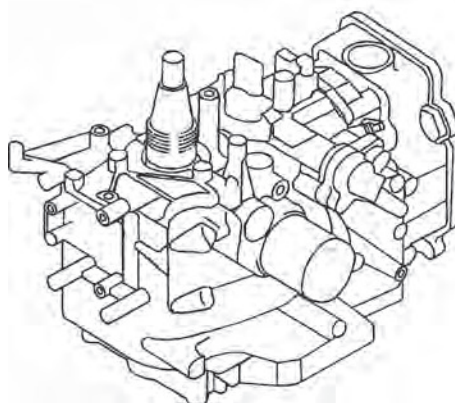
Nº	Ref.	R.O. OEM	Descripción	Description	Descrizione	Cantidad Qty Quantità
1	PAF15-07010000	66M-15100-02-1S	BLOQUE MOTOR	CRANKCASE ASSY	BLOCCO MOTORE	1
2	PAF15-07000001	99510-10114	PIN	PIN, HOLLOW	SPINOTTO	2
3	PAGB/T5783-2000	93102-25090	TORNILLO	BOLT, HEXAGON	VITE	6
4	PAGB/T5783-2000	93306-205YD	TORNILLO	BOLT, HEXAGON	VITE	4
5	PAF15-07010006	6E5-24377-00	PIPA	PIPE, JOINT	TUBO	2
6	PAF15-07010008	66M-11325-00	ÁNODO	ANODE	ANODO	1
7	PAF15-07010011	66M-11327-00-94	TAPA ÁNODO	COVER, ANODE	COPERTURA ANODO	1
8	PAF15-07010009	66M-11328-00	ALOJAMIENTO ÁNODO	GROMMET, ANODE	ALLOGGIAMENTO ANODO	1
9	PAGB/T5783-2000		TORNILLO	SCREW, PAN HEAD	VITE	1
10	PAGB/T97.1-8		ARANDELA	WASHER 5	RONDELLA	1
11	PAGB/T97.1-8		ARANDELA	WASHER 8	RONDELLA	4
12	PAF15-07010012	66M-12535-00	EMPAQUETADORA	PLATE, ANODE	PIASTRA ANODO	1
13	PAF15-07010013	66M-11168-001S	TAPA	COVER, BREATHER	COPERCHIO	1
14	PAGB/T5783-2000	97575-08550-00	TORNILLO	BOLT	VITE	4
15	PAGB/T97.1-8	93102-20108	ARANDELA	WASHER 6	RONDELLA	17
16	REC66M-11357-00	66M-11357-00	JUNTA TAPA	BREATHER GASKET	GUARNIZIONE COPERCHIO	1
16	PAF15-07010014	66M-11357-00	JUNTA TAPA	BREATHER GASKET	GUARNIZIONE COPERCHIO	1
17	PAF15-07000031	66M-12411-01	TERMOSTATO	THERMOSTAT	TERMOSTATO	1
18	REC62Y-12414-00	62Y-12414-00	JUNTA TERMOSTATO	GASKET, THERMOSTAT	GUARNIZIONE TERMOSTATO	1
18	PAF15-07010022	62Y-12414-00	JUNTA TERMOSTATO	GASKET, THERMOSTAT	GUARNIZIONE TERMOSTATO	1
19	PAF15-07010021	6H3-12413-001S	TAPA TERMOSTATO	COVER, THERMOSTAT	COPERCHIO TERMOSTATO	1
20	PAGB/T5783-2000	90201-08818	TORNILLO	BOLT	VITE	7
21	REC66M-41114-01	66M-41114-01	JUNTA	GASKET, EXHAUST OUTER COVER	GUARNIZIONE	1
21	PAF15-07010018	66M-41114-01	JUNTA	GASKET, EXHAUST OUTER COVER	GUARNIZIONE	1
22	PAF15-07000013	93604-12M07	PIN	O-RING	SPINOTTO	2
23	PAGB/T5783-2000	68D-E5362-00	TORNILLO	SCREW	VITE	1
24	PAF15-07010026	6E5-11325-00	ÁNODO	ANODE	ANODO	1
25	PAF15-07010019	66M-41113-20-1S	TAPA	OUTTER COVER, EXHAUST	COPERCHIO	1
26	PAF15-04000005	676-11372-00	PIPA	WATER NIPPLE	TUBO	3
27	PAF15-05000012	90445-09061	TUBO	HOSE A	TUBO	1
28	PAF15-05000011	688-24378-00	CONECTOR	THREE-WAY PIPE	CONNETTORE	1
29	PAF15-05000013	90445-09086	TUBO	HOSE B	TUBO	1
30	PAF15-05000014	90445-09104	TUBO	HOSE C	TUBO	1
31	PAF15-07010003	90401-20M00	TORNILLO	BOLT UNION	VITE	1
32	PAF15-07010023	5GH-13440-00	FILTRO ACEITE	OIL CLEANER	FILTRO DELL'OLIO	1
32	REC5GH-13440-00	5GH-13440-00	FILTRO ACEITE	OIL CLEANER	FILTRO DELL'OLIO	1
33	REC66M-11351-10	66M-11351-10	JUNTA BASE MOTOR	GASKET, ENGINE	GUARNIZIONE BASE MOTORE	1
33	PAF15-00000014	66M-11351-10	JUNTA BASE MOTOR	GASKET, ENGINE	GUARNIZIONE BASE MOTORE	1
34	PAF15-07010007		TUBO	HOSE, RETURN OIL	TUBO	1



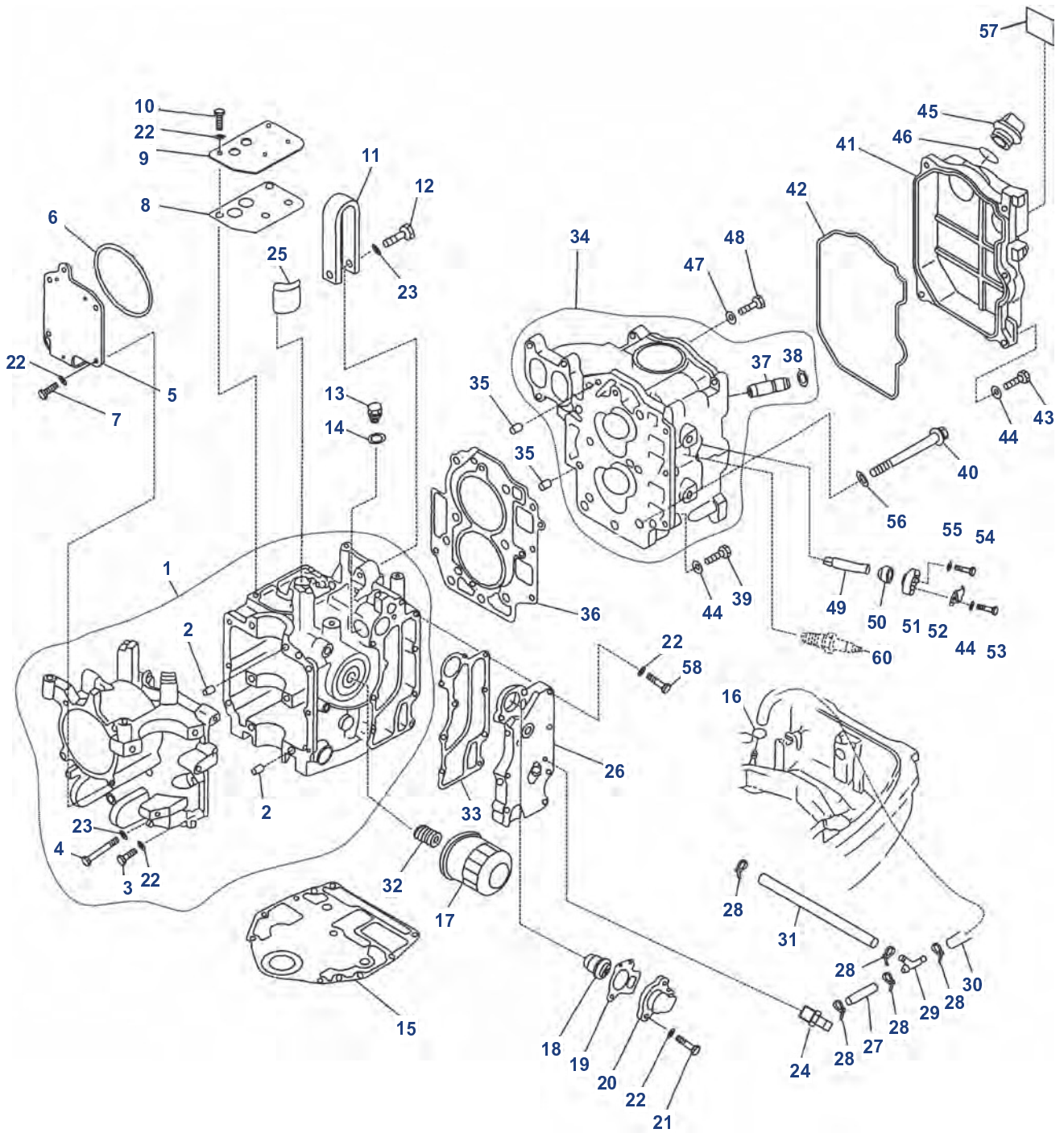
Nº	Ref.	R.O. OEM	Descripción	Description	Descrizione	Cantidad Quanti Quantità
1	PAF15-07030000	66M-11411-00	CIGÜEÑAL	CRANK ASSY	ALBERO MOTORE	1
2	PAF15-07030006	93102-35M51	RETÉN	OIL SEAL A	PARAOLIO	1
2	REC93102-35M51	93102-35M51	RETÉN	OIL SEAL A	PARAOLIO	1
3	PAF15-07010024	66M-11416-00	COJINETE BANCADA	MAIN BEARING	CUSCINETTO	4
4	PAF15-07020100	66M-11650-00	BIELA	ROD, CONNECTING	BIELLA	2
5	PAF15-07020001	66M-11631-00-96	PISTÓN	PISTON	PISTONE	2
6	PAF15-07020006	634-11633-00	BULÓN	PIN, PISTON	BULLONE	2
7	PAF15-07020005	93450-15023	CLIP	CIRCLIP	CLIP	4
8	REC66N-11603-00	66N-11603-00	ARO PISTÓN KIT	PISTON RING KIT	FASCIA PISTONE KIT	2
11	PAF15-07030007	93102-25M52	RETÉN	OIL SEAL B	PARAOLIO	1
11	REC93102-25M52	93102-25M52	RETÉN	OIL SEAL B	PARAOLIO	1
12		90201-07M01	ARANDELA	WASHER, PLATE	RONDELLA	4
13		66M-11654-00	TORNILLO	BOLT CONNECTING ROD	VITE	4
14	PAGB/T1099-1979	90280-03M01	CHAVETA	KEY, WOODRUFF	CHIAVETTA	1
15	PAF15-07010027	90480-12072	GOMA	RUBBER RING B	GOMMINO	1
16	PAF15-07030003	66M-11536-10	POLEA DENTADA	BELT PULLEY, TIMING	PULEGGIA	1
17	PAF15-07030004	66M-11557-00	ARANDELA	WASHER	RONDELLA	1
18	PAF15-07030005	90170-28M37	TUERCA	NUT	GHIERA	1
19	PAF15-07000002	66M-46241-00	CORREA DISTRIBUCIÓN	BELT TIMING	CINGHIA DISTRIBUZIONE	1
20	PAF15-07000024	66M-46297-00	TAPA	COVER, DUST	COPERCHIO	1
21	PAF15-07050003	90480-10M16	GOMA	RING RUBBER A	GOMMINO	2
22	PAGB/T5783-2000	97013-06016	TORNILLO	BOLT	VITE	1
23	PAGB/T5287-85	90201-06M94	ARANDELA	BIG WASHER	RONDELLA	1
24	PAF15-07040018	66M-11537-00-94	POLEA	BELT PULLEY, DRIVEN	PULEGGIA	1
25	PAF15-07040017	90201-13201	ARANDELA	WASHER	RONDELLA	1
26	PAF15-07040008	93102-18M21	RETÉN	OIL SEAL	PARAOLIO	1
26	REC93102-18M21	93102-18M21	RETÉN	OIL SEAL	PARAOLIO	1
27	PAF15-07040200	66M-12170-00	ÁRBOL DE LEVAS	CAMSHAFT ASSY	ALBERO MOTORE	2
28	PAF15-07040016	66M-13329-10	JUNTA	MAT, AIRPROOF	GUARNIZIONE	1
29	PAF15-07040500	66M-13300-10	BOMBA ACEITE	OIL PUMP ASSY	POMPA DELL'OLIO	1
30	PAGB/T5783-2000	97095-06035	TORNILLO	BOLT	VITE	3
31	PAGB/T97.1-8	92995-06600	ARANDELA	WASHER	RONDELLA	3



Nº	Ref.	R.O. OEM	Descripción	Description	Descrizione	Cantidad Qty Quantità
1	PAF15-07040001	66M-12111-00	VÁLVULA ADMISIÓN	VALVE, INTAKE	VALVOLA ASPIRAZIONE	2
2	PAF15-07040002	66M-12121-00	VÁLVULA ESCAPE	VALVE, EXHAUST	VALVOLA SCARICO	2
3	PAF15-07040004	66M-12116-00	ASIENTO MUELLE	SEAL, VALVE SPRING	MOLLA VALVOLA	4
4	PAPS2700.04.03	51Y-12119-00	RETÉN	SEAL, VALVESTEM	GUARNIZIONE	4
5	PAF15-07040005	66M-12113-00	MUELLE	SPRING, VALVE	MOLLA	4
6	PAF15-07050006	30X-12117-00	RESORTE	RETAINER, VALVE SPRING	FERMA VALVOLA	4
7	PAF15-07040007	30X-12118-00	SEGURO VÁLVULA	COTTER, VALVE	VALVOLA DI SICUREZZA	8
8	PAF15-07040304	62Y-12158-00	TUERCA	LOCK NUT	GHIERA	4
9	PAF15-07040303	62Y-12159-00	REGULADOR	SCREW, VALVE ADJUSTING	REGOLATORE	4
10	PAF15-07040301	66M-12151-10	BALANCÍN	ROCKER	BILANCERE	4
11	PAF15-07040014	90501-12M40	MUELLE	SPRING, ROCKER B	MOLLA	3
12	PAF15-07040009	90387-13001	ALOJAMIENTO	BUSHER, VALVE INTAKE	GOMMINO VALVOLA	1
13	PAF15-07040013	90501-12M41	MUELLE	SPRING, ROCKER A	MOLLA	1
14	PAF15-07040015	66M-12146-00	EJE	SHAFT, ROCKER	ASSE	2
15	PAF15-07040012	90387-13M56	CASQUILLO	BUSHER, VALVE EXHAUST B	COPERCHIO	1
16	PAF15-07040011	90387-13002	CASQUILLO	BUSHER, VALVE EXHAUST A	COPERCHIO	1
17	PAF15-07040100	66M-11111-01-1S	CULATA	CYLINDER HEAD ASSY	TESTATA	1
18	PAF15-07000001	99510-10114	PIN	HOLLOW PIN	SPINOTTO	2
19	PAF15-07000100	66M-11181-10	JUNTA CULATA	GASKET, CYLINDER HEAD	GUARNIZIONE TESTATA	1
20		97513-06525	TORNILLO	BOLT, HEXAGON	VITE	3
21	PAF15-07000028	90105-08M78	TORNILLO	BOLT, FLANGE	VITE	6
22	PAF15-07050001	66M-11191-00-1S	TAPA BALANCINES	COVER, CYLINDER HEAD	COPERCHIO BILANCERE	1
23	REC66M-11356-00	66M-11356-00	JUNTA TAPA	SEAL, CYLINDER COVER	GUARNIZIONE TAPPO	1
24		97595-06520	TORNILLO	BOLT, HEXAGON	VITE	4
25	PAGB/T5783-2000	92995-06600	ARANDELA	WASHER, PLATE	RONDELLA	7
26	PAF15-07050004	6G8-15363-00	TAPÓN ACEITE	PLUG, OIL	TAPPO OLIO	1
27	PAF4-04000008	93210-24M79	TÓRICA	O-RING	O-RING	1
28	PAF15-10030001	66M-12138-60	ADHESIVO	MARK 4	ADESIVO	1
29	NGKDPR7EA-9	94701-00375	BUJÍA	SPARK PLUG	CANDELA	2
30	POWERHEAD9.9-15	66M-W009B-15-1S	MOTOR	POWER HEAD COMPLETE	MOTORE	15

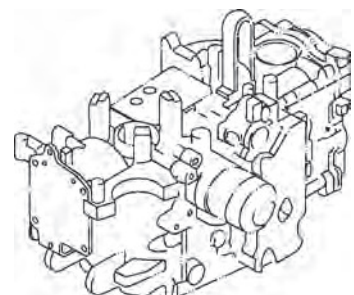


Nº 30



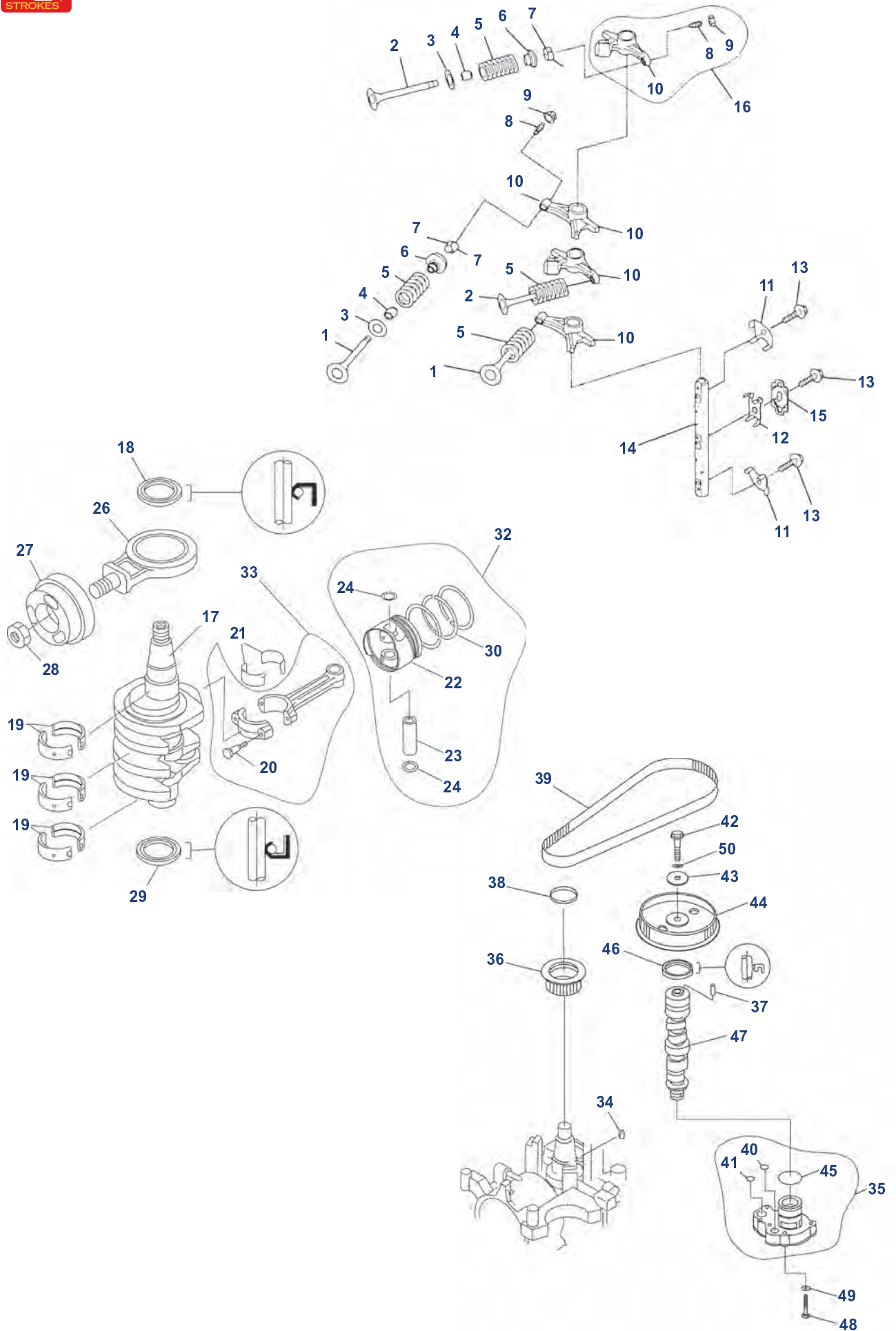
Ref.	R.O.
REC65W-W0001-00	65W-W0001-02

Kit juntas de motor
Power head gasket kit
Kit guarnizione motore

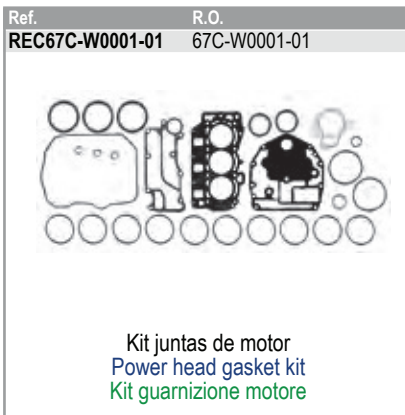
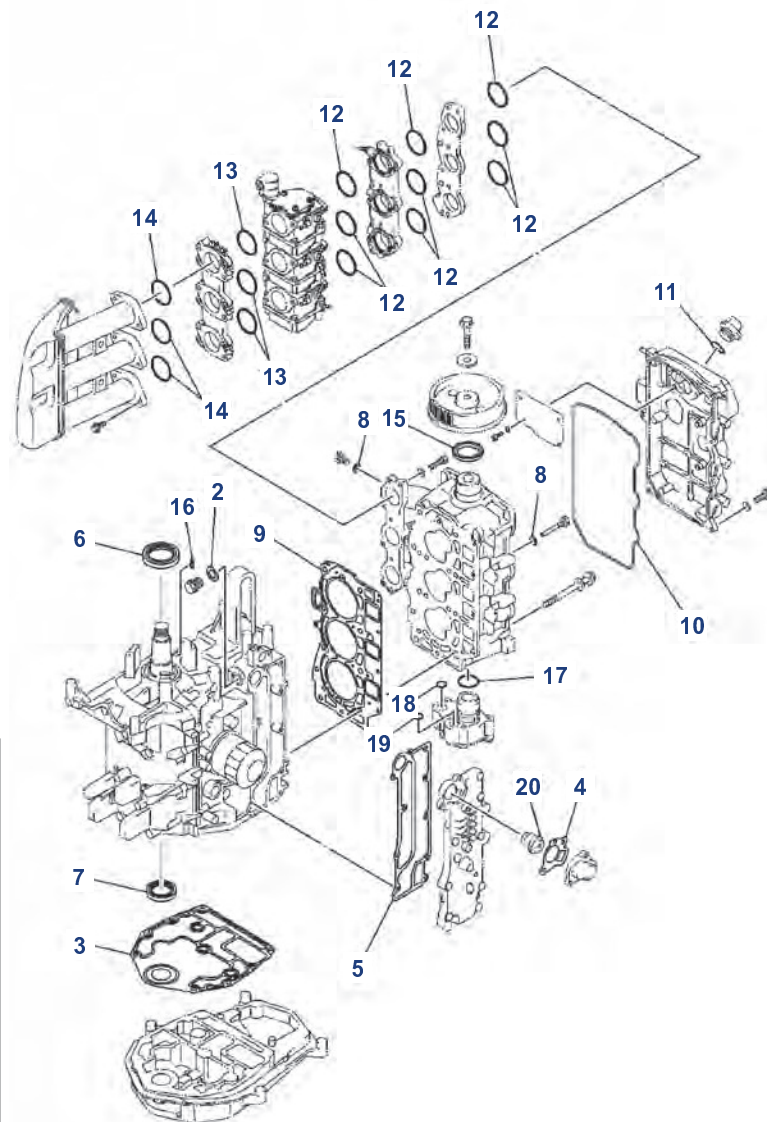


59

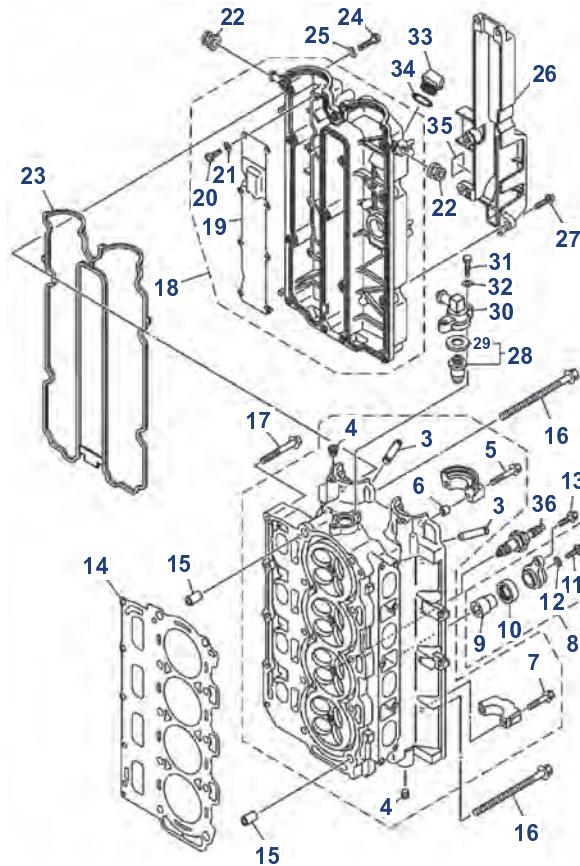
Nº	Ref.	R.O. OEM	Descripción	Description	Descrizione	Cantidad Quanti Quantità
1	PAF25-05010000	65W-15100-00-94	BLOQUE	CRANKCASE ASSY	BLOCCO	1
2	PAF25-00000014	99530-08012	PIN	PIN, DOWEL	SPINOTTO	2
3		90119-06MA5	TORNILLO	BOLT, HEXAGON	VITE	6
4		90119-08M01	TORNILLO	BOLT, HEXAGON	VITE	6
5	PAF25-05000007	65W-15121-00	TAPA	CRANKCASE	COPERCHIO	1
6	PAGB/T3452.1-1992	65W-15663-00	JUNTA	SEAL	GUARNIZIONE	1
7		65W-12228-00	TORNILLO	BOLT, HEXAGON	VITE	4
8	PAF25-05010108	65W-11169-00	JUNTA	GASKET, BREATHERCOVER	GUARNIZIONE	1
9	PAF25-05010109	65W-11168-00	TAPA	COVER, BREATHER	TAPPO	1
10		65W-12228-00	TORNILLO	BOLT, HEXAGON	VITE	4
11	PAF25-05010106	66W-11119-00	SOPORTE	HANGER, ENGINE	SUPPORTO	1
12		65W-08M87	TORNILLO	BOLT, HEXAGON	VITE	1
13	PAF15-04000002	90340-14M06	TORNILLO DRENAJE	BOLT, OIL DRAIN	VITE DRENAGGIO	1
14	PAF15-04000003	90430-14M09	ARANDELA	WASHER	RONDELLA	1
15	PAF25-00000013	65W-11351-00	JUNTA BASE MOTOR	GASKET, ENGINE	GUARNIZIONE BASE MOTORE	1
16	PAF4-04000030	90467-09M09	MUELLE	SPRING, FUEL PIPE "B"	MOLLA	1
17	PAF25-05000100	5GH-13440-00	FILTRO ACEITE	OIL CLEANER	FILTRO OLIO	1
17	REC5GH-13440-00	5GH-13440-00	FILTRO ACEITE	OIL CLEANER	FILTRO OLIO	1
18	PAF15-07000031	6G8-12411-02	TERMOSTATO	THERMOSTAT	TERMOSTATO	1
19	PAF15-07010022	62Y-12414-00	JUNTA TERMOSTATO	GASKET, THERMOSTAT	GUARNIZIONE TERMOSTATO	1
20	PAF15-07010021	6H3-12413-00-9M	TAPA TERMOSTATO	COVER, TEHRMOSTAT	TAPPO TERMOSTATO	1
21		90119-06MA5	TORNILLO	BOLT	VITE	2
22	PAGB/T97.1-8	66M-11356-00	ARANDELA	WASHER 6	RONDELLA	17
23	PAGB/T97.1-8	97595-06520	ARANDELA	WASHER 8	RONDELLA	7
24	PAF25-05010113	62Y-11372-01	PIPA	NIPPLE, HOSE	TUBO	1
25	PAF25-05010107	65W-13286-00	FILTRO	CLEANER	FILTRO	1
26	PAF25-05010112	65W-41113-01-94	TAPA	OUTTER COVER, EXHAUST	TAPPO	1
27	PAF25-03000008	90445-09068	TUBO	HOSE	TUBO	1
28	PAHT-2.5x60	90465-11M10	BRIDA	CLAMP	FLANGIA	5
29	PAF15-05000011	688-24378-00	CONECTOR	THREE-WAY PIPE	CONNETTORE	1
30	PAF25-03000011	90445-09105	TUBO	HOSE	TUBO	1
31	PAF25-03000009	90445-09095	TUBO	HOSE	TUBO	1
32	PAF15-07010003	90401-20M00	TORNILLO	BOLT, UNION	VITE	1
33	PAF25-05010111	65W-41114-00	JUNTA	GASKET, EXHAUST OUTER COVER	GUARNIZIONE	1
34	PAF25-05050100	65W-11111-02-94	CULATA	CYLINDER ASSY	TESTATA	1
35	PAF25-00000014	99530-08012	PIN	PIN, DOWEL	SPINOTTO	2
36	PAF25-05040000	65W-11181-30	JUNTA CULATA	GASKET, CYLINDER HEAD	GUARNIZIONE TESTATA	1
37		62Y-11133-10	GUÍA VÁLVULA	VALVE GUIDE BUSH	GUIDA VALVOLA	4
38		93450-09M01	CLIP	CIRCLIP, GUIDE BUSH	CLIP	4
39		90119-06MA3	TORNILLO	BOLT, HEXAGON	VITE	6
40	PAF25-05000002	90119-09M00	TORNILLO	BOLT, FLANGE	VITE	9
41	PAF25-05000005	65W-11191-00-94	TAPA BALANCINES	COVER, CLYLINDER HEAD	TAPPO BILANCERE	1
42	PAF25-05000004	65W-11356-00	JUNTA TAPA	SEAL, CYLINDER COVER	GUARNIZIONE TAPPO	1
43		90119-06MA3	TORNILLO	BOLT, HEXAGON	VITE	5
44	PAGB/T97.1-8		ARANDELA	WASHER, PLATE	RONDELLA	10
45	PAF15-07050004	6G8-15363-00	TAPÓN ACEITE	PLUG, OIL	TAPPO OLIO	1
46		93210-24M79	TÓRICA	O-RING	O-RING	1
47	PAF25-05050007	90430-06014	JUNTA	GASKET	GUARNIZIONE	1
48	PAF25-05050006	90109-06M65	TORNILLO	BOLT	VITE	1
49	PAF25-02010005	62Y-11325-00	ÁNODO	ANODE	ANODO	2
50	PAF15-07010009	66M-11328-00	ALOJAMIENTO	GROMMET, ANODE	ANELLO TENUTA	2
51		66M-11327-00-94	TAPA	COVER, ANODE	TAPPO	2
52		66M-12535-00	PLETINA	PLATE, ANODE	PIASTRA ANODO	2
53		97095-06020	TORNILLO	BOLT, HEXAGON	VITE	2
54		97095-05012	TORNILLO	BOLT, HEXAGON	VITE	2
55		92995-05600	ARANDELA	WASHER, PLATE	RONDELLA	2
56			ARANDELA	WASHER, PLATE	RONDELLA	6
57		62Y-12138-40	ADHESIVO	SIGN 5	ADESIVO	1
58		90119-06MAS	TORNILLO	BOLT	VITE	7
59	POWERHEAD20-25		MOTOR	COMPLETE, POWER	MOTORE	1
60	NGKDP7EA-9	94701-00375	BUJÍA	SPARK-PLUG	CANDELA	2



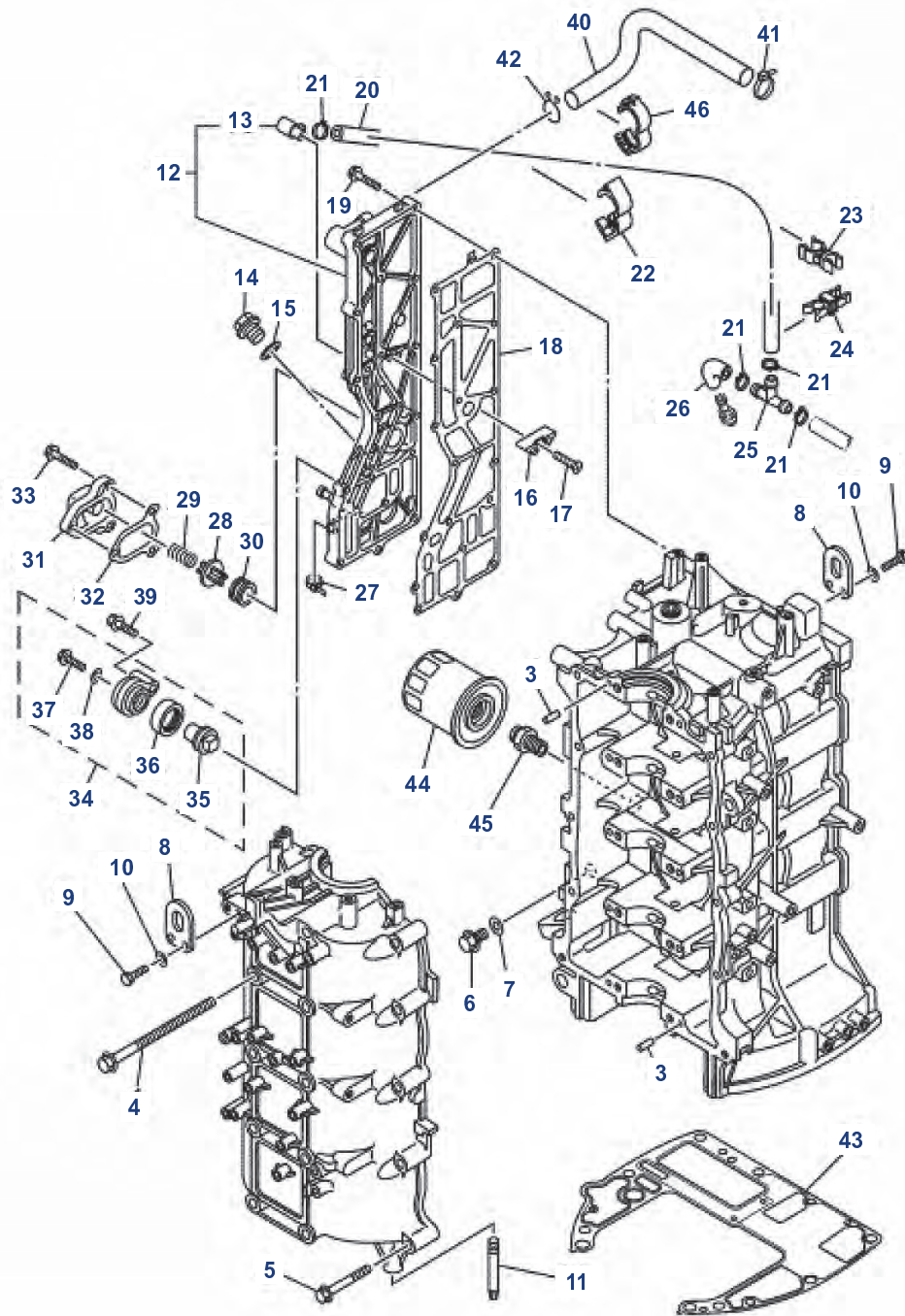
Nº	Ref.	R.O. OEM	Descripción	Description	Descrizione	Cantidad Quanti Quantità
1	PAF25-05050001	67C-12111-00	VÁLVULA ADMISIÓN	VALVE, INTAKE	VALVOLA ASPIRAZIONE	2
2	PAF25-05050002	62Y-12121-00	VÁLVULA ESCAPE	VALVE, EXHAUST	VALVOLA SCARICO	2
3	PAF25-05050003	62Y-12116-00	ASIENTO MUELLE	SEAL, VALVE SPRING	MOLLA VALVOLA	4
4	PAF166-010003	51Y-12119-00	RETÉN VÁLVULA	SEAL, VALVE STEM	GOMMINO VALVOLA	4
5	PAF25-05050005	51Y-12119-00	MUELLE	SPRING, VALVE	MOLLA	4
6	PAF15-07040006	30X-12117-00	RESORTE	RETAINER, VALVE SPRING	FERMA VALVOLA	4
7	PAF15-07040007	30X-12118-00	SEGURO VÁLVULA	COTTER, VALVE	VALVOLA SICUREZZA	8
8	PAF15-07040303	62Y-12159-00	TORNILLO	SCREW, VALVE ADJUSTING	VITE	1
9	PAF15-07040304	62Y-12158-00	TUERCA	NUT	GHIERA	1
10	PAF25-05050301	65W-12151-00	BALANCÍN	ROCKET	BILANCERE	1
11	PAF25-05050009	62Y-12238-00	PLETINA	PLATE, BOLT STOPPER	PIASTRINA	2
12	PAF25-05050011	62Y-12216-00	MUELLE	SPRING	MOLLA	1
13	PAF25-05050019	90109-08M63	TORNILLO	BOLT	VITE	3
14	PAF25-05050008	65W-12146-00	EJE	SHAFT, ROCKET	ASSE	1
15	PAF25-05050012	62Y-12231-00	PLETINA	PLATE B, BOLT STOPPER	PIASTRINA	1
16	PAF25-05050300		BALANCÍN COMPLETA	ROCKET ASSY	BILANCERE COMPLETO	4
17	PAF25-05020001	65W-11411-01	CIGÜEÑAL	CRANK SHAFT	ALBERO MOTORE	1
18	PAF25-05020003	93102-43M42	RETÉN	OIL SEAL B	PARAOILIO	1
19	PAF25-05010302-1	62Y-11416-00	COJINETE BANCADA	MAIN BEARING	CUSCINETTI BANCO	6
19	PAF25-05010302-2	62Y-11416-10	COJINETE BANCADA	MAIN BEARING	CUSCINETTI BANCO	6
20	PAF25-05020204	62Y-11654-00	TORNILLO	BOLT, CONNECTING ROD	VITE	2
21	PAF25-05020203-1	62Y-11656-00	COJINETE BIELA	PLANE BEARING, CONNECTING ROD	CUSCINETTI BIELLAA	2
21	PAF25-05020203-2	62Y-11656-00	COJINETE BIELA	PLANE BEARING, CONNECTING ROD	CUSCINETTI BIELLAA	2
22	PAF25-05020101	65W-11631-00-96	PISTÓN	PISTON	PISTONE	2
23	PAF25-05020105	62Y-11633-00	BULÓN	PIN, PISTON	BULLONE	2
24	PAF25-05020106	93450-17129	CLIP	CIRCLIP	CLIP	4
26	PAF25-05020310	65W-11665-00	BIELA	CON-ROD ASSY, BALANCE	BIELLA	1
27	PAF25-05020301	65W-11642-11	PISTÓN CONTRA	PISTON, BALANCE	CONTRO PISTONE	1
28	PAF25-05000026	90170-35M47	TUERCA	NUT	GHIERA	1
29	PAF25-05020002	93102-35M47	RETÉN	OIL-SEAL A	GUARNIZIONE	1
31	REC67C-11603-00	67C-11603-00	ARO PISTÓN KIT	PISTON RING KIT	FASCIA PISTONE KIT	2
32	PAF25-05020100	65W-41114-00	PISTÓN COMPLETO	PISTON ASSY	PISTONE COMPLETO	2
33	PAF25-05020200	67C-11650-00	BIELA	ROD, CONNECTING	BIELLA	2
34	PAF4-04000019	90280-04M06	CHAVETA	KEY, WOODRUF	CHIAVETTA	1
35	PAF25-05050400	65W-13300-00	BOMBA ACEITE	OIL PUMP ASSY	POMPA OLIO	1
36	PAF25-05000021	65W-11536-10	POLEA	BELT PULLEY, TIMING	PULEGGIA	1
37	PAF25-05050016	93605-14143	PIN	PIN, DOWELL	SPINOTTO	1
38	PAF25-05000022	65W-11476-00	MUELLE	BUSH, SPRING	MOLLA	1
39	PAF25-05000023	65W-46241-00	CORREA DISTRIBUCIÓN	BELT, TIMING	CINGHIA DISTRIBUZIONE	1
40	PAF25-05050013	93210-12MG9	TÓRICA	O-RING A	O-RING	1
41	PAF25-05050014	93210-14515	TÓRICA	O-RING B	O-RING	1
42	PAGB/T5785-2000	90119-06MA3	TORNILLO	BOLT	VITE	1
43	PAF25-05050018	90201-10M06	ARANDELA	WASHER, PLATE	RONDELLA	1
44	PAF25-05050017	65W-11537-01	POLEA DENTADA	BELT PULLEY, DRIVEN	PULEGGIA DENTATA	1
45	PAF25-05050015	93210-33MH2	TÓRICA	O-RING C	O-RING	1
46	PAF25-05050021	93102-37M40	RETÉN	OIL SEAL	PARAOILIO	1
47	PAF25-05050200	65W-12171-10	ÁRBOL DE LEVAS	CAMSHAFT ASSY	ALBERO MOTORE	1
48	PAGB/T5782-2000		TORNILLO	BOLT	VITE	4
49	PAGB/T97.1-8	66M-11328-00	ARANDELA	WASHER , PLATE	RONDELLA	4
50	PAGB/T97.1-8	66M-11327-00-94	ARANDELA	WASHER, PLATE	RONDELLA	1



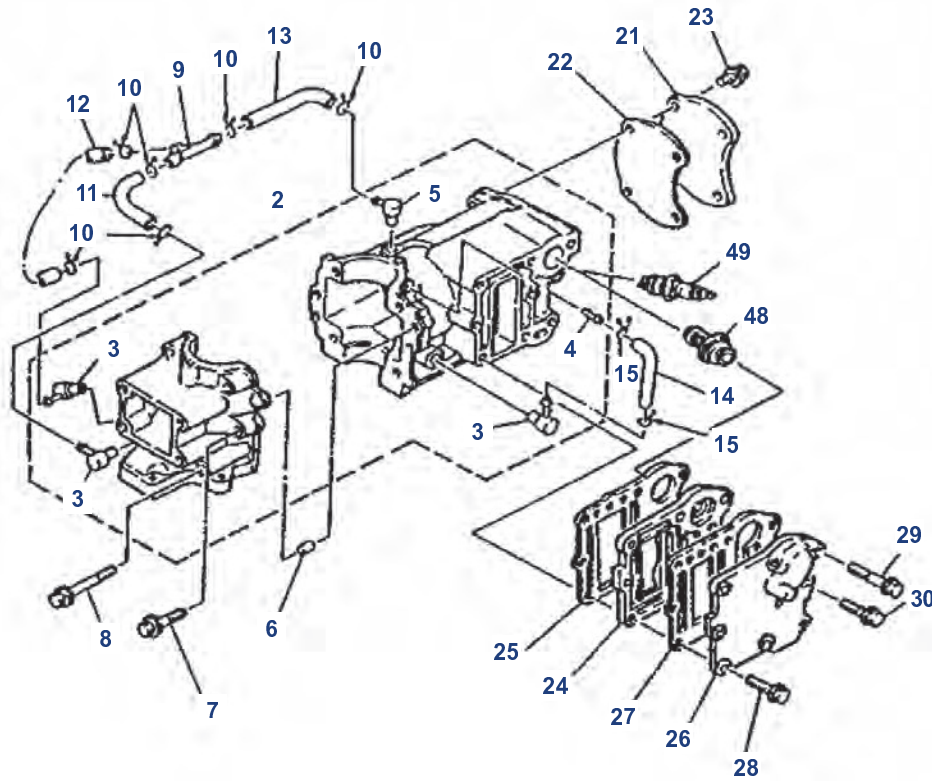
Nº	Ref.	R.O. OEM	Descripción	Description	Descrizione	Cantidad Quantity Quantità
1	REC67C-W0001-01	67C-W0001-01	KIT JUNTAS	POWER HEAD GASKET KIT	KIT GUARNIZIONI	1
2	REC90430-14115	90430-14115	JUNTA	GASKET	GUARNIZIONE	1
3	REC67C-11351-00	67C-11351-01	JUNTA BASE MOTOR	GASKET, CYLINDER	GUARNIZIONE BASE MOTORE	1
4	PAF4-04000011	62Y-12414-00	JUNTA TERMOSTATO	GASKET, COVER	GUARNIZIONE TERMOSTATO	1
5	REC67C-41114-00	67C-41114-10	JUNTA	GASKET, EXHAUST COVER	GUARNIZIONE	1
6	REC93102-43M42	93102-43M42	RETÉN	OIL SEAL	PARAOLIO	1
7	REC93102-35M47	93102-35M47	RETÉN	OIL SEAL	PARAOLIO	1
8	REC90430-06014	90430-06014	JUNTA	GASKET	GUARNIZIONE	4
9	REC67C-11181-01	67C-11181-01	JUNTA CULATA	GASKET, CYLINDER HEAD	GUARNIZIONE TESTATA	1
10	REC67C-11356-00	67C-11356-00	JUNTA	SEAL, CYLINDER	GUARNIZIONE	1
11	PAJASO F404-31-025	93210-24M79	TÓRICA	O-RING	O-RING	2
12		67C-14561-00	TÓRICA	O-RING	O-RING	9
13		67C-14562-00	TÓRICA	O-RING	O-RING	3
14		93210-34MJ6	TÓRICA	O-RING	O-RING	3
15	REC93102-37M40	93102-37M40	RETÉN	OIL SEAL	PARAOLIO	1
16	PAF25-05000024	90280-04M06	CHAVETA	KEY, WOODRUFF	CHIAVETTA	1
17	REC93210-33MH2	93210-33MH2	TÓRICA	O-RING	O-RING	1
18	REC93210-12MG9	93210-12MG9	TÓRICA	O-RING	O-RING	1
19	REC93210-14515	93210-14515	TÓRICA	O-RING	O-RING	1
20	PAF15-07000031	66M-12411-01	TERMOSTATO	THERMOSTAT	TERMOSTATO	1



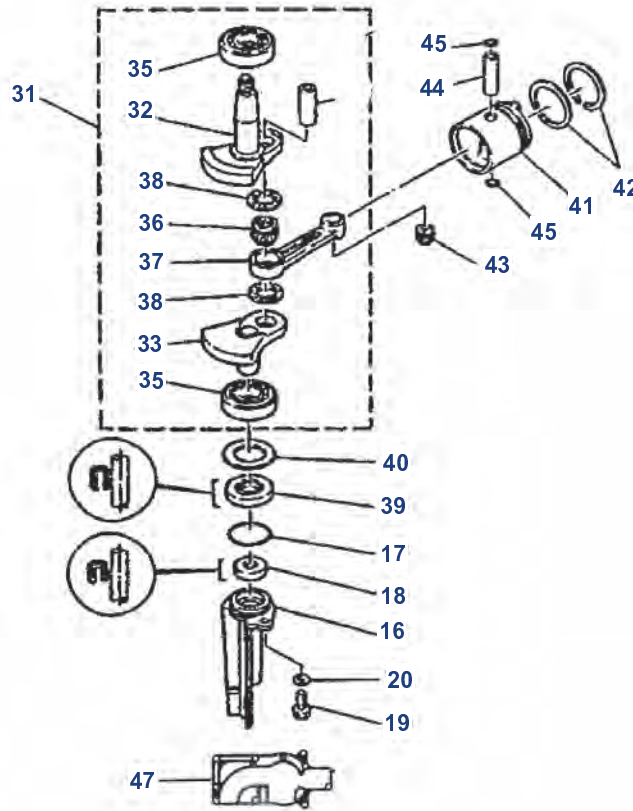
Nº	Ref.	R.O. OEM	Descripción	Description	Descrizione	Cantidad Qty Quantità
3		67F-11133-10	GUÍA DE VÁLVULA 1	GUIDE VALVE 1	GUIDA VALVOLA 1	16
4		90344-51019	TAPÓN DE TORNILLO AHUSADO	PLUG TAPER SCREW	VITE TAPPO CONICO	4
5		90119-07235	TORNILLO CON ARANDELA	BOLT WITH WASHER	VITE CON RONDELLA	4
6		91809-08006	PASADOR DE CLAVIJA	PIN, DOWEL	SPINOTTO DI CENTRAGGIO	4
7		K0F-A9904-20	TORNILLO CON ARANDELA	BOLT WITH WASHER	VITE CON RONDELLA	16
8		69J-11301-00	CONJUNTO CUBIERTA DE ÁNODO	COVER ANODE	COPERCHIO ANODO	2
9	TEN01146-1	67F-11325-01	ÁNODO	ANODE	ANODO	1
10		67F-11328-00	TAPÓN	PLUG	COPERCHIO	1
11		90105-06M07	TORNILLO	BOLT	VITE	1
12	REC90430-06M03	90430-06M03	JUNTA	GASKET	GUARNIZIONE	1
13		97575-08540	PERNO CON ARANDELA	BOLT WITH WASHER	PERNO CON RONDELLA	2
14	REC67F-11181-03	67F-11181-03	JUNTA, DE CULATA 1	HEAD CYLINDER GASKET 1	GUARNIZIONE TESTATA 1	1
15		90387-10M08	ESPACIADOR	COLLAR	DISTANZIALE	2
16		90105-10M89	TORNILLO	BOLT	VITE	10
17		90119-08M91	TORNILLO CON ARANDELA	BOLT WITH WASHER	VITE CON RONDELLA	5
18		6D8-11191-00-9S	TAPA CULATA DE CILINDRO 1	HEAD CYLINDER COVER 1	COPERCHIO TESTATA CILINDRO 1	1
19		67F-11168-00	CUBIERTA RESPIRADERO	COVER, BREATHER	COPERCHIO SFIATO	1
20		98507-04008	TORNILLO DE CABEZA PLANA	SCREW, PAN HEAD	VITE TESTA PIANA	8
21		92907-04600	ARANDELA	WASHER	RONDELLA	8
22		90480-12072	TAPÓN	PLUG	COPERCHIO	2
23		6D8-11356-01	RETÉN ACEITE CILINDRO 2	SEAL CYLINDER 2	GUARNIZIONE CILINDRO 2	1
24		97095-06030	PERNO	BOLT	PERNO	14
25		92995-06600	ARANDELA	WASHER	RONDELLA	14
26		67F-11192-01	TAPA CULATA DE CILINDRO 2	COVER CYLINDER HEAD	COPERCHIO TESTATA CILINDRO 2	1
27		90159-06M29	TORNILLO CON VALONA	SCREW WITH WASHER	VITE CON RONDELLA	5
28	REC67F-12411-01	67F-12411-01	TERMOSTAT	THERMOSTAT	TERMOSTATO	1
29		67F-12412-00	SELLO TERMOSTATO	SEAL THERMOSTAT	GUARNIZIONE TERMOSTATO	1
30		68V-12413-00-9S	CUBIERTA TERMOSTATO	COVER THERMOSTAT	COPERCHIO TERMOSTATO	1
31		97095-06025	PERNO	PLUG	PERNO	2
32	PAGB/T97.1-8	92995-06600	ARANDELA	WASHER	RONDELLA	2
33		6G8-15363-00	TAPÓN DE ACIETE	OIL PLUG	TAPPO DELL'OLIO	1
34		93210-24M79	ANILLO O	O RING	O-RING	1
35		6D8-83626-00	MARCA 6	MARK 6	MARCA 6	1
36	NGK LFR5A-11	94702-00391	BUJÍA (NGK LFR5A-11)	PLUG SPARK (NGK LFR5A-11)	CANDELA (NGK LFR5A-11)	4



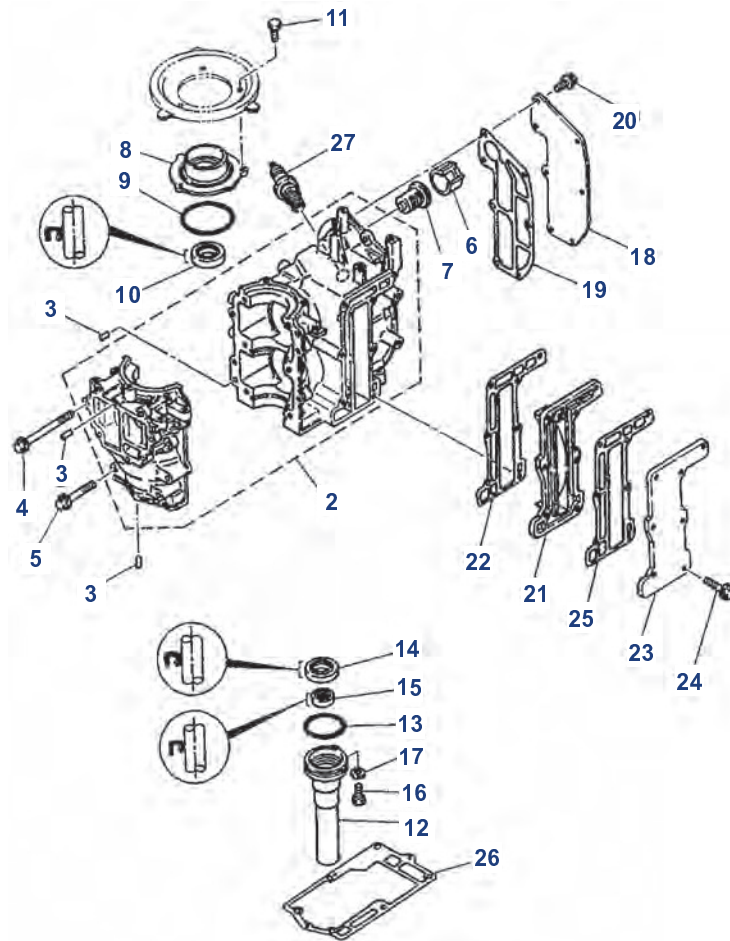
Nº	Ref.	R.O. OEM	Descripción	Description	Descrizione	Cantidad Qty Quantità
3	REC93606-12019	93606-12019	PASADOR DE CLAVIJA	PEG BOLT	SPINOTTO DI CENTRAGGIO	10
4		90119-10M88	TORNILLO CON ARANDELA	BOLT WITH WASHER	VITE CON RONDELLA	10
5		90119-08M66	TORNILLO CON ARANDELA	BOLT WITH WASHER	VITE CON RONDELLA	10
6		90340-14M06	TORNILLO, DE DRENAJE	BOLT WITH WASHER	VITE DRENAGGIO	1
7	PAF15-04000003	90430-14115	JUNTA	GASKET	GUARNIZIONE	1
8		62Y-11119-00	SOPORTE DE MOTOR	ENGINE BRACKET	SUPPORTO MOTORE	2
9		97095-06020	PERNO	BOLT	PERNO	4
10	PAGB/T97.1-8	92995-06600	ARANDELA	WASHER	RONDELLA	4
11		67F-15142-00	GUÍA 1	GUIDE 1	GUIDA 1	2
12		6D8-41113-30-9S	CUBIERTA EXTERIOR DE ESCAPE	OUTTER COVER EXHAUST	COPERCHIO DI SCARICO	1
13	PAF15-04000005	676-11372-00	NIPPLE DE MANGUERA	HOSE NIPPLE	RACCORDO TUBO	1
14		90340-18M09	TORNILLOS DE DRENAJE	PLUG STRAIGHT SCREW	VITI DI DRENAGGIO	1
15		90430-18130	JUNTA	GASKET	GUARNIZIONE	1
16	TEN01152	6E5-11325-00	ÁNODO	ANODE	ANODO	3
17		98780-04016	TORNILLO CABEZA PLANA	FLAT HEAD BOLT	VITE TESTA PIANA	3
18		67F-41114-A2	JUNTA	GASKET	GUARNIZIONE	1
19		90119-06MA4	TORNILLO CON ARANDELA	BOLT WITH WASHER	VITE CON RONDELLA	18
20		6D8-42541-00	TUBO 1	HOSE 1	TUBO 1	1
21		90465-11M10	BRIDA	FLANGE	FLANGIA	4
22		90464-18004	BRIDA	FLANGE	FLANGIA	1
23		90464-10010	BRIDA	FLANGE	FLANGIA	1
24		90464-11009	BRIDA	FLANGE	FLANGIA	1
25	PAF15-05000011	688-24378-00	TUBO DE UNIÓN 3	PIPE JOINT 3	TUBO DI UNIONE 3	1
26		61A-24316-00	TUBO 6	HOSE 6	TUBO 6	1
27		90465-11M10	BRIDA	FLANGE	FLANGIA	1
28		6G5-12416-00	VÁLVULA DE CONTROL DE PRESIÓN	VALVE PRESS CONTROL	VALVOLA CONTROLLO PRESSIONE	1
29		90501-16M11	RESORTE DE COMPRESIÓN	SPRING COMPRESSION	MOLLA DI COMPRESIONE	1
30		90480-20M05	TAPÓN	PLUG	COPERCHIO	1
31		67F-1246A-01-9S	CUBIERTA 1	COVER 1	COPERCHIO 1	1
32		67F-12435-A0	JUNTA	GASKET	GUARNIZIONE	1
33		90119-06MA2	TORNILLO CON ARANDELA	BOLT WITH WASHER	VITE CON RONDELLA	3
34		69J-11301-00	CONJUNTO CUBIERTA DE ÁNODO	ANODE COVER GROUP	COPERCHIO ANODO	1
35	CM67F-11325-00	67F-11325-01	ÁNODO	ANODE	ANODO	1
36		67F-11328-00	TAPÓN	PLUG	COPERCHIO	1
37		90105-06M07	TORNILLO	BOLT	VITE	1
38	REC90430-06M03	90430-06M03	JUNTA	GASKET	GUARNIZIONE	1
39		97575-08540	PERNO CON ARANDELA	BOLT WITH WASHER	PERNO CON RONDELLA	1
40		67F-1243A-00	TUBO 1	HOSE 1	TUBO 1	1
41		90465-11M10	BRIDA	FLANGE	FLANGIA	1
42		90467-20M15	CLIP	CLIP	CLIP	1
43	REC68V-11351-00	68V-11351-00	JUNTA DE CILINDRO	CYLINDER GASKET	GUARNIZIONE CILINDRO	1
44	REC5GH-13440-00	5GH-13440-00	ELEMENTO FILTRO DE ACEITE	FILTER OIL ELEMENT	FILTRO DELL'OLIO	1
45		90401-20007	PERNO DE UNIÓN	BOLT UNION	PERNO DI UNIONE	1
46		90464-16001	BRIDA	FLANGE	FLANGIA	1



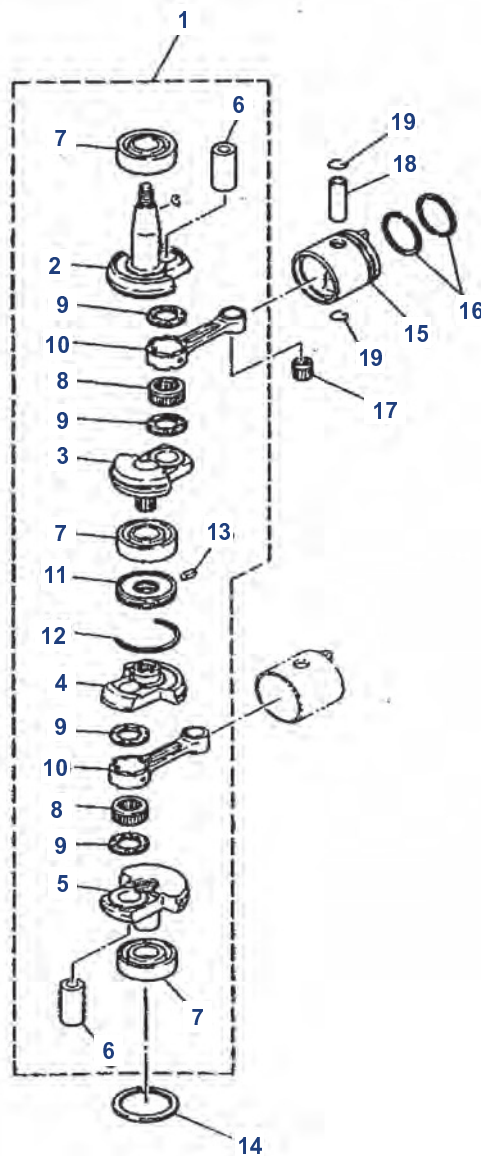
Nº	Ref.	R.O. OEM	Descripción	Description	Descrizione	Cantidad Quantity Quantità
3		650-11370-00, -01	Ref.	R.O.		
4		624-14485-00	JUNTA	PIPE, JOINT	GUARNIZIONE	1
5		6E5-11372-00	RACORD TUBO	NIPPLE, HOSE	RACCORDO TUBO	1
6	PAF15-00000006	93606-12019	PIN CENTRADOR	PIN, DOWEL	SPINOTTO CENTRAGGIO	2
7		90105-06M16	TORNILLO	BOLT, FLANGE	VITE	4
8		90105-06M17	TORNILLO	BOLT, FLANGE	VITE	2
9		6E0-24378-00	JUNTA	PIPE, JOINT 4	GUARNIZIONE	1
10		90467-06016	CLIP ABRAZADERA	CLIP	CLIP FASCETTA	5
11		90445-07M00	TUBO	HOSE (L100)	TUBO	1
12		90445-07M28	TUBO	HOSE (L70)	TUBO	1
13		90445-07M32	TUBO	HOSE (L120)	TUBO	1
14		90445-07M28	TUBO	HOSE (L70)	TUBO	1
15		90467-06016	CLIP ABRAZADERA	CLIP	CLIP FASCETTA	2
21		6E0-11191-01-1S	TAPA	COVER, CYLINDER HEAD	COPERCHIO	1
		6E3-11191-01-1S	TAPA	COVER, CYLINDER HEAD	COPERCHIO	1
22	REC6E0-11193-A1	6E0-11193-A1	JUNTA TAPA	GASKET, HEAD COVER	GUARNIZIONE TAPPO	1
23		90105-06M14	TORNILLO	BOLT, FLANGE	VITE	4
24		6E0-41111-01-1S	PLACA	INNER COVER, EXHAUST	PIASTRA	1
		6E3-41111-01-1S	PLACA	INNER COVER, EXHAUST (5C ENGINE)	PIASTRA	1
25	REC6E0-41112-A1	6E0-41112-A1	JUNTA ESCAPE	GASKET, EXHA COVER	GUARNIZIONE SCARICO	1
26		6E0-41113-01-1S	TAPA ESCAPE	OUTER COVER, EXHAUST	COPERCHIO SCARICO	1
		6E3-41113-01-1S	TAPA ESCAPE	OUTER COVER, EXHAUST	COPERCHIO SCARICO	1
27	REC6E0-41114-A1	6E0-41114-A1	JUNTA ESCAPE	GASKET, EX COVER	GUARNIZIONE SCARICO	1
28		90105-06M24	TORNILLO	BOLT, FLANGE	VITE	7
29		90105-06M16	TORNILLO	BOLT, FLANGE	VITE	1
30		90105-06M14	TORNILLO	BOLT, FLANGE	VITE	1
46	REC6E5-12411-02	6E5-12411-01	TERMOSTATO	THERMOSTAT	TERMOSTATO	1
49	NGKBR7HS	94702-00272	BUJÍA	SPARKPLUG	CANDELA	1



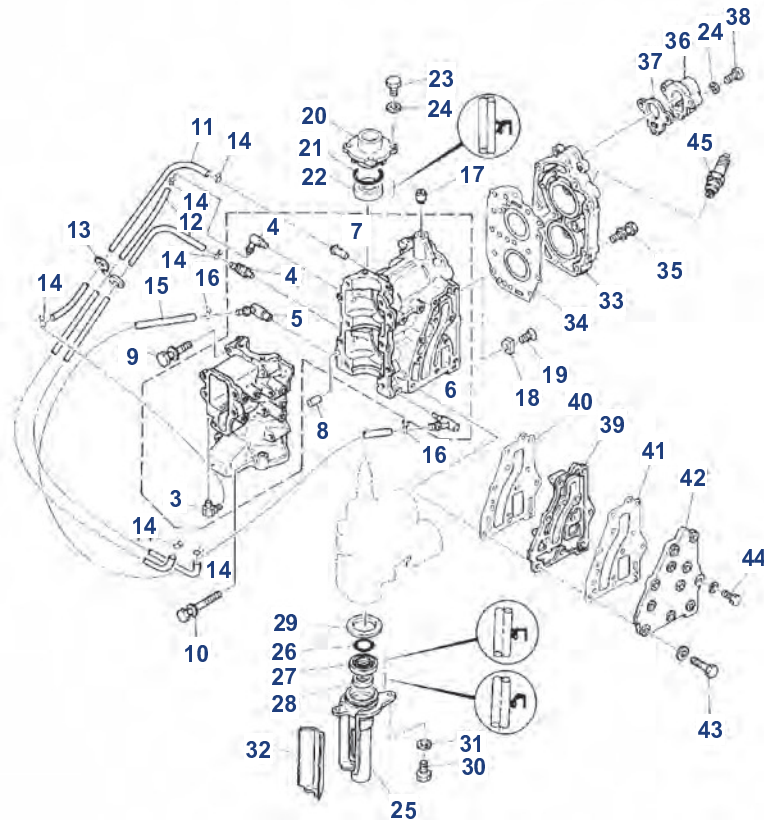
Nº	Ref.	R.O. OEM	Descripción	Description	Descrizione	Cantidad Quantity Quantità
16		6E0-15396-03-5B	CUERPO RETÉN	HOUSING, OIL SEAL	GUARNIZIONE CORPO	1
17		93210-31MJ5	ARO TÓRICO	O-RING	O-RING	1
18	REC93101-10M25	93101-10M25	RETÉN	OIL SEAL	PARAOLIO	1
19		97095-06016	TORNILLO	BOLT	VITE	1
20		92995-06600	ARANDELA	WASHER	RONDELLA	1
31		6E0-11400-00	CIGÜEÑAL COMPLETO	CRANKSHAFT	ALBERO MOTORE COMPLETO	1
32		6E0-11412-00	PARTE 1 CIGÜEÑAL	CRANK 1	ALBERO MOTORE PARTE 1	1
33		6E0-11422-00	PARTE 2 CIGÜEÑAL	CRANK 2	ALBERO MOTORE PARTE 2	1
34	REC6G1-11681-00	6G1-11681-00	PASADOR	PIN, CRANK 1	SPINOTTO	1
35	REC93306-204U0	93306-204U0	RODAMIENTO	BEARNIG	CUSCINETTO	2
36	REC93310-418V1	93310-418V1	RODAMIENTO	BEARING	CUSCINETTO	1
37	REC6E0-11651-01	6E0-11651-01	BIELA	ROD, CONNECTING	BIELLA	1
38	REC90209-18112	90209-18112	ARANDELA	WASHER	RONDELLA	2
39	REC93101-20M29	93101-20M29	RETÉN	OIL SEAL	PARAOLIO	1
40		90201-32M48	ARANDELA	WASHER, PLATE	RONDELLA	1
41	REC6E0-11631-00-98	6E0-11631-00-98	PISTÓN	PISTON (STD)	PISTONE	1
		6E3-11631-00-98	PISTÓN	PISTON (STD) (5C ENGINES)	PISTONE	1
42	REC6G1-11610-00	6G1-11610-00	SEGMENTOS PISTÓN	PISTON RING (STD)	FASCE PISTONE	1
	REC6J1-11610-00	6J1-11610-00	SEGMENTOS PISTÓN	PISTON RING (STD) (5C ENGINES)	FASCE PISTONE	1
43	REC93310-112V0	93310-112V0	RODAMIENTO	BEARING	CUSCINETTO	1
44	REC6G1-11633-00	6G1-11633-00	BULÓN	PIN, PISTÓN	SPINOTTO	1
45	REC93450-13022	93450-13022	CIERRE	CIRCLIP	CLIP CHIUSURA	2
47	REC6E0-45113-A1	6E0-45113-A1	JUNTA BASE	GASKET, UPPER CASING	GUARNIZIONE BASE	1



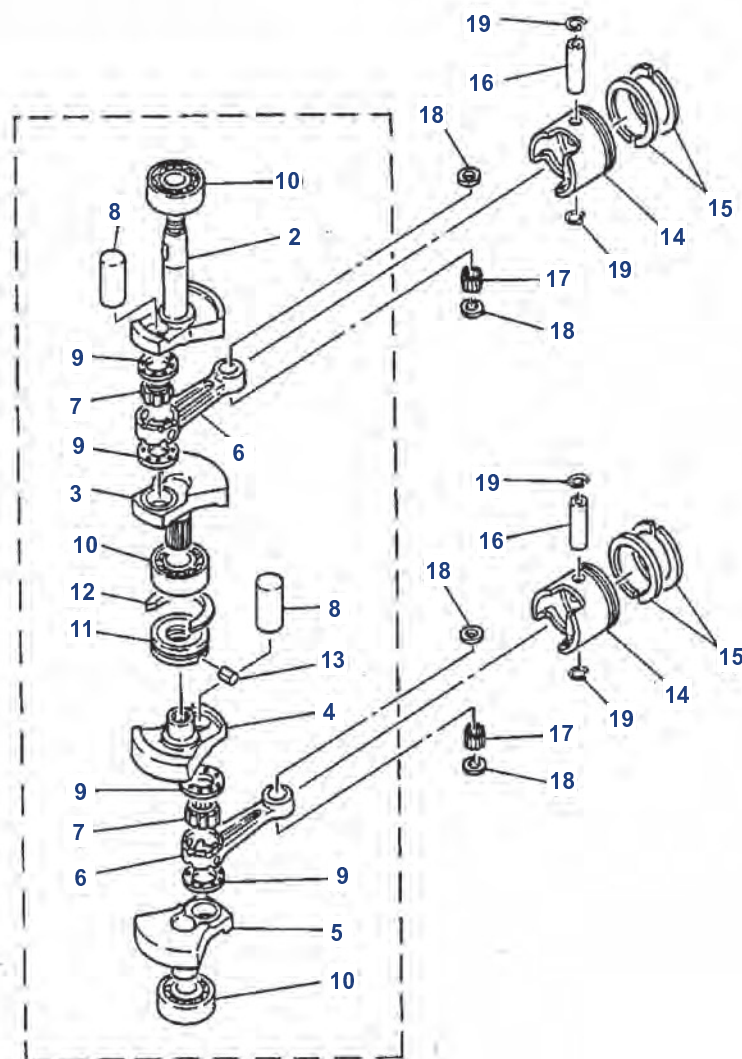
Nº	Ref.	R.O. OEM	Descripción	Description	Descrizione	Cantidad Quantity Quantità
3		93604-08062	Ref.	R.O.		
4		90105-06M26	TORNILLO	BOLT, FLANGE	VITE	6
5		90105-06M25	TORNILLO	BOLT, FLANGE	VITE	4
6		90387-22M50	CASQUILLO	COLLAR	COPERCHIO	1
7	REC6E5-12411-02	6E5-12411-01	TERMOSTATO	THERMOSTAT	TERMOSTATO	1
8		6G1-15359-01-94	CUERPO RETÉN	HOUSING, OIL SEAL	CORPO GUARNIZIONE	1
9	REC93210-54M54	93210-54M54	ARO TÓRICO	O-RING	O-RING	1
10	REC93102-20M25	93102-20M25	RETÉN	OIL SEAL	PARAOLIO	1
11		97013-06016	TORNILLO	BOLT	VITE	3
12		6G1-15396-02-5B	CUERPO RETÉN	HOUSING, OIL SEAL	CORPO GUARNIZIONE	1
13	REC93210-42159	93210-42159	ARO TÓRICO	O-RING	O-RING	1
14	REC93101-20M34	93101-20M34	RETÉN	OIL SEAL	PARAOLIO	1
16		97095-06016	TORNILLO	BOLT	VITE	1
17		92995-06600	ARANDELA	WASHER	RONDELLA	1
18		6N0-E1191-00-9M	TAPA	COVER CYLINDER HEAD	COPERCHIO	1
19	REC6G1-11193-A1	6G1-11193-A1	JUNTA TAPA TERMOSTATO	GASKET THERMOSTAT COVER	GUARN. COPERCHIO TERMOSTATO	1
20		90105-06M14	TORNILLO	BOLT, FLANGE	VITE	7
21		6N0-G1111-00-9M	PLACA	INNER COVER, EXHAUST	PIASTRA	1
22	REC6G1-41112-A1	6G1-41112-A1	JUNTA ESCAPE	GASKET, EXHAUST INNER COVER	GUARNIZIONE SCARICO	1
23		6G1-41113-01-9M	TAPA	OUTER COVER, EXHAUST	COPERCHIO	1
24		90105-06M24	TORNILLO	BOLT, FLANGE	VITE	7
25	REC6G1-41114-A0	6G1-41114-A0	JUNTA ESCAPE	GASKET, EXHAUST OUTER COVER	GUARNIZIONE SCARICO	1
26	REC6G1-45113-A1	6G1-45113-A1	JUNTA BASE	GASKET, UPPER CASING	GUARNIZIONE BASE	1
27	NGKBR7HS-10	94702-00271	BUJÍA	PLUG, SPARK (NGK BR7HS-10)	CANDELA	2
27	NGKBR6HS-10	94702-00274	BUJÍA	PLUG, SPARK (NGK BR6HS-10) (6C ENGINES)	CANDELA	2



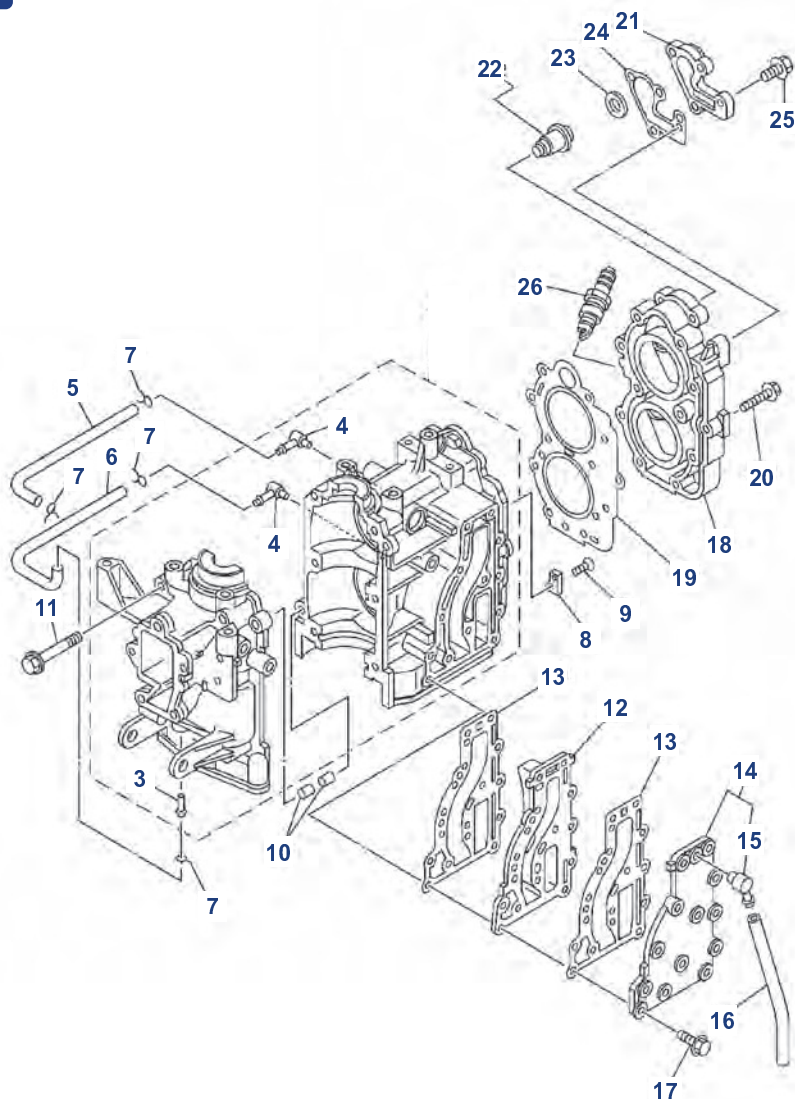
Nº	Ref.	R.O. OEM	Descripción	Description	Descrizione	Cantidad Quantity Quantità
1		6N0-E1400-00	CIGÜEÑAL	CRANKSHAFT ASSY	ALBERO MOTORE	1
2		6N0-E1412-00	PARTE 1 CIGÜEÑAL	CRANK 1	ALBERO MOTORE PARTE 1	1
3		6N0-E1422-00	PARTE 2 CIGÜEÑAL	CRANK 2	ALBERO MOTORE PARTE 2	1
4		6N0-E1432-00	PARTE 3 CIGÜEÑAL	CRANK 3	ALBERO MOTORE PARTE 3	1
5		6N0-E1442-00	PARTE 4 CIGÜEÑAL	CRANK 4	ALBERO MOTORE PARTE 4	1
6	REC6G1-11681-00	6G1-11681-00	BULÓN	PIN, CRANK 1	SPINOTO	2
7	REC93306-204U0	93306-204U0	RODAMIENTO	BEARING	CUSCINETTO	3
8	REC93310-418V1	93310-418V1	RODAMIENTO	BEARING	CUSCINETTO	2
9	REC90209-18112	90209-18112	ARANDELA	WASHER	RONDELLA	4
10		6N0-E1651-00	BIELA	ROD, CONNECTING	BIELLA	2
11		6N0-E1515-00	ARO	SEAL, LABYRINTH	FASCIA	1
12		93440-47055	CIRCLIP	CIRCLIP	CLIP CHIUSURA	1
13		91609-20008	PIN	PIN, SPRING	SPINOTTO	1
14		90201-41303	ARANDELA	WASHER, PLATE	RONDELLA	1
15		6N0-E1631-00-64	PISTÓN	PISTON (STD)	PISTONE	2
16		6N0-E1603-00	SEGMENTOS	PISTON RING SET (STD)	FASCE	2
17	REC93310-112V0	93310-112V0	RODAMIENTO	BEARING	CUSCINETTO	2
18		6N0-E1633-00	BULÓN	PIN, PISTON	SPINOTTO	2
19	REC93450-13022	93450-13022	CIERRE	CIRCLIP	CLIP CHIUSURA	4



Nº	Ref.	R.O. OEM	Descripción	Description	Descrizione	Cantidad Quantity Quantità
3	REC650-11370-00	650-11370-01	VÁLVULA DE CONTROL COMPL.	CHECK VALVE ASSY	VALVOLA DI CONTROLLO COMPL.	1
4		646-11370-01	VÁLVULA DE CONTROL COMPL.	CHECK VALVE ASSY	VALVOLA DI CONTROLLO COMPL.	2
5		677-11372-00	NIPPLE DE MANGUERA	NIPLE, HOSE	RACCORDO TUBO	1
6		676-11372-00	NIPPLE DE MANGUERA	NIPLE, HOSE	RACCORDO TUBO	1
7		624-14485-00	TUBO DE UNIÓN	PIPE JOINT	TUBO DI UNIONE	1
8		93605-08041	PASADOR DE CLAVIJA	PIN, DOWEL	PERNO PASSANTE	2
9		90119-06M15	TORNILLO CON ARANDELA	BOLT, WITH WASHER	VITE CON RONDELLA	8
10		90119-06M16	TORNILLO CON ARANDELA	BOLT, WITH WASHER	VITE CON RONDELLA	2
11		90445-07M02	TUBO (L167),	HOSE (L167)	TUBO (L167),	1
12		90445-07258	TUBO (L200),	HOSE (L200)	TUBO (L200),	2
13		90464-07015	BRIDA	CLAMP	FLANGIA	1
14		90467-06016	PRESILLA	CLIP	CLIP	6
15		90445-10M03	TUBO (L240),	HOSE (L240)	TUBO (L240),	1
16		90467-09M09	PRESILLA	CLIP	CLIP	2
17		99530-10014	PASADOR, DE ESPIGA	PIN, DOWEL	PERNO PASSANTE	1
18		664-11325-00	ÁNODO	ANODE	ANODO	1
19		90151-06M01	TORNILLO EMBUTIDO	SCREW, COUNTERUNK	VITE SVASATA	1
20		677-15359-00-94	CAJA DE SELLO DE ACEITE	HOUSING, OIL SEAL	ALLOGGIAMENTO PARAOLIO	1
21	REC93210-42159	93210-42159	ANILLO O	O-RING	O-RING	1
22	REC93102-20M25	93102-20M25	SELLO ACEITE	OIL SEAL	PARAOLIO	1
23		97095-06018	PERNO	BOLT	PERNO	4
24		92995-06600	ARANDELA	WASHER	RONDELLA	4
25		677-15396-01-5B	CAJA DE SELLO ACEITE	HOUSING, OIL SEAL	ALLOGGIAMENTO PARAOLIO	1
26	REC93210-42M70	93210-42M70	ANILLO O	O RING	O-RING	1
27	REC93101-20M29	93101-20M29	SELLO ACEITE	OIL SEAL	PARAOLIO	1
28	REC93101-14M01	93101-14M01	SELLO ACEITE	OIL SEAL	PARAOLIO	1
29		90201-41303	ARANDELA PLANA	WASHER, PLATE	RONDELLA PIANA	1
30		97095-06016	PERNO	BOLT	PERNO	2
31		92995-06600	ARANDELA	WASHER	RONDELLA	2
32		677-15379-02	SELLO DE CARTER	SEAL, CRANKCASE	SIGILLO CARTER	1
33		677-11111-00-1S	CULATA CILINDRO 1	HEAD, CYLINDER	TESTATA CILINDRO 1	1
34	REC677-11181-A0	677-11181-A1	JUNTA DE CULATA 1	GASKET, CYLINDER HEAD	GUARNIZIONE TESTATA 1	1
35		90119-06048	TORNILLO CON ARANDELA 1	BOLT, WITH WASHER	VITE CON RONDELLA 1	3
36		677-12413-00-1S	CUBIERTA TERMOSTATO	COVER, THERMOSTAT	COPERCHIO TERMOSTATO	1
37		677-12414-A1	EMPAQUE	GASKET, COVER	COPERCHIO	1
38		90119-06MA3	TORNILLO CON ARANDELA	BOLT, WITH WASHER	VITE CON RONDELLA	3
39		677-41111-01-1S	CUBIERTA INT. ESCAPE	INNER COVER, EXHAUST	COPERCHIO INT. SCATICO	1
40	REC677-41112-A0	677-41112-A1	EMPAQUE	GASKET, EXHAUST INNER COVER	COPERCHIO	1
41		677-41114-A1	EMPAQUE	GASKET, EXHAUST OUTER COVER	COPERCHIO	1
42		677-41113-01-1S	CUBIERTA EXT. DE ESCAPE	OUTER COVER, EXHAUST	COPERCHIO EST. SCARICO	1
43		90119-06MA4	TORNILLO CON ARANDELA	BOLT, WITH WASHER	VITE CON RONDELLA	10
44		90119-06023	TORNILLO CON ARANDELA	BOLT, WITH WASHER	VITE CON RONDELLA	1
45	NGKB7HS-10	94702-00217	BUJIA (NGK B7HS-10)	PLUG, SPARK (NGK B7HS-10)	CANDELA (NGK B7HS-10)	2

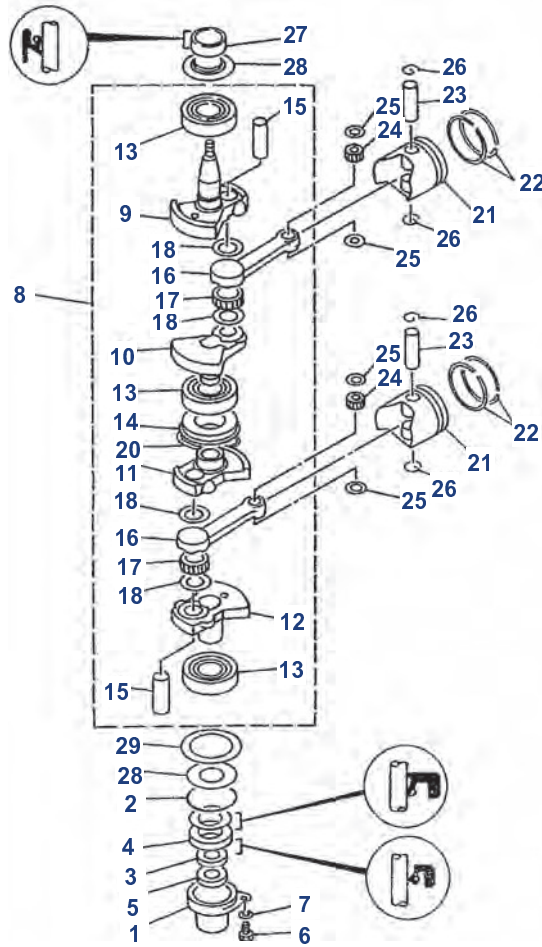


Nº	Ref.	R.O. OEM	Descripción	Description	Descrizione	Cantidad Quantity Quantità
2	REC677-11412-00	677-11412-02	CIGÜEÑAL 1	CRANK 1	LEVA 1	1
3	REC677-11422-00	677-11422-02	CIGÜEÑAL 2	CRANK 2	LEVA 2	1
4	REC677-11432-00	677-11432-02	CIGÜEÑAL 3	CRANK 3	LEVA 3	1
5	REC677-11442-00	677-11442-02	CIGÜEÑAL 4	CRANK 4	LEVA 4	1
6	REC6E0-11651-01	6E0-11651-01	BIELA	ROD, CONNECTING	BIELLA	2
7	REC93310-418U0	93310-418U0	RODAMIENTO	BEARING	GABBIA A RULLI	2
8	REC6G1-11681-00	6G1-11681-00	PIN, CIGÜEÑAL 1	PIN, CRANK 1	SPINOTTO LEVA 1	2
9	REC90209-18112	90209-18112	ARANDELA	WASHER	RONDELLA DI SEPARAZIONE	4
10	REC93306-204U0	93306-204U0	RODAMIENTO	BEARING	CUSCINETTO	3
11		677-11515-01	RETÉN	LABERINTH SEAL	TENUTA CHIUSA	1
12		93440-47055	CLIP	CIRCLIP	CLIP CHIUSURA	1
13		91690-30010	PIN, MUELLE	PIN, SPRING	SPINOTTO DELLA MOLLA	1
14	REC677-11631-00K	677-11631-00-97	PISTÓN (STD)	PISTON (STD)	PISTONE (STD)	2
	REC677-11635-00K	677-11635-00	PISTÓN (0.25mm O/S)	PISTON (0.25mm O/S)	PISTONE (0.25mm O/S)	2
	REC677-11636-00K	677-11636-00	PISTÓN (0.50mm O/S)	PISTON (0.50mm O/S)	PISTONE (0.50mm O/S)	2
15	REC647-11610-00	647-11610-00	SET AROS PISTÓN (STD)	PISTON RING SET (STD)	SERIE FASCE (STD)	2
	REC647-11610-10	647-11610-10	SET AROS PISTÓN (0.25mm O/S)	PISTON RING SET (0.25mm O/S)	FASCE (0.25mm O/S)	2
	REC647-11610-20	647-11610-20	SET AROS PISTÓN (0.50mm O/S)	PISTON RING SET (0.50mm O/S)	FASCE (0.50mm O/S)	2
16	REC6G1-11633-00	6G1-11633-00	PIN, PISTON	PIN, PISTON	SPINOTTO, PISTONE	2
17	REC93602-14118	93602-14118	RODAMIENTOS	BEARING	CUSCINETTO	56
18	REC90201-12565	90201-12565	WASHER, PLATE	WASHER, PLATE	RONDELLA PIANA	4
19	REC93450-13022	93450-13022	CIRCLIP	CIRCLIP	CLIP CHIUSURA	4

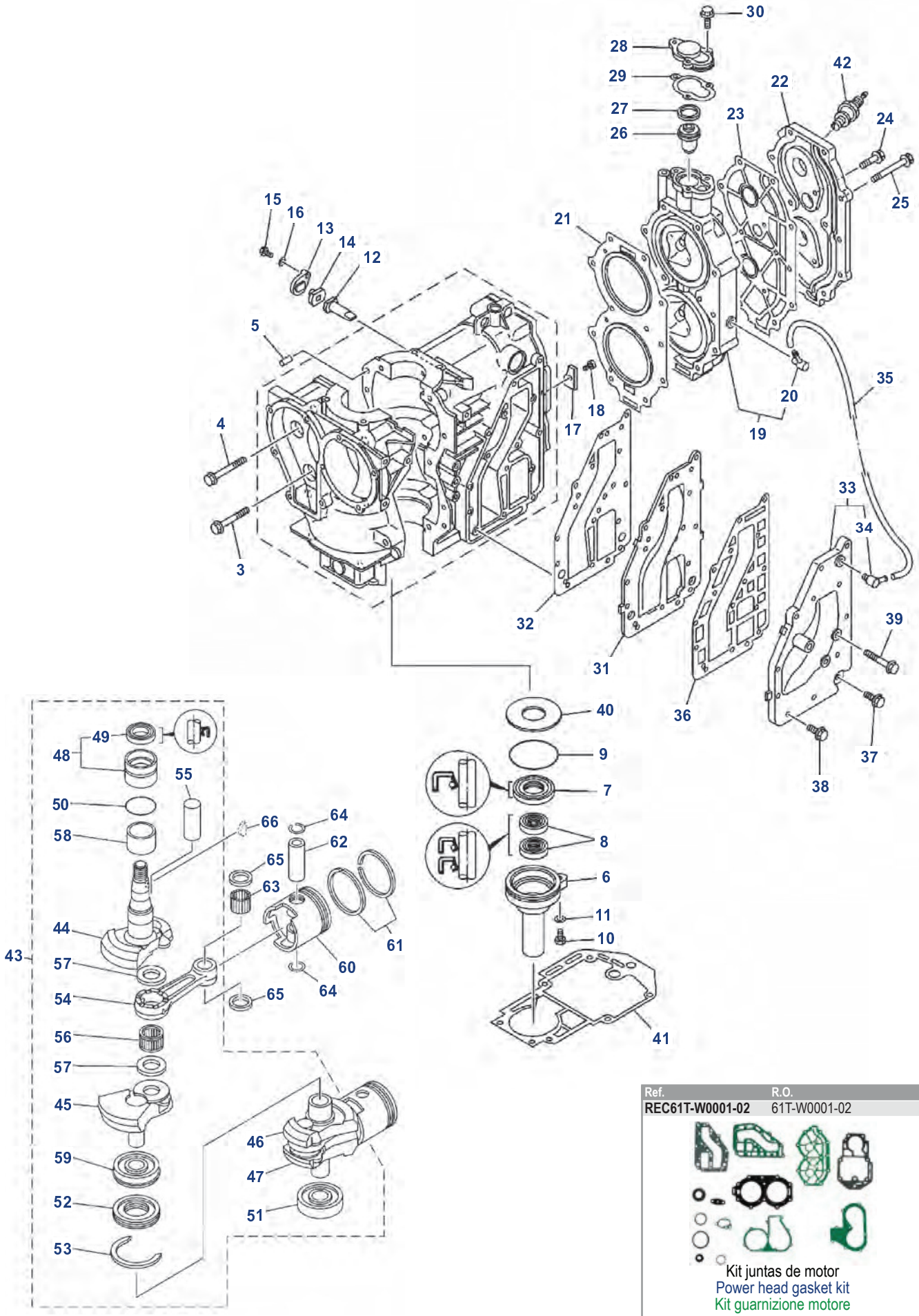


Nº	Ref.	R.O. OEM	Descripción	Description	Descrizione	Cantidad Qty Quantità
3		624-14485-00	TOMA	PIPE JOINT	GIUNTO PER TUBO	1
4		650-14485-03	TOMA	PIPE JOINT	GIUNTO PER TUBO	2
5		90445-07M08	TUBO	HOSE (L220)	TUBO	1
6		90445-07M08	TUBO	HOSE (L220)	TUBO	1
7		90467-06016	ABRAZADERA	CLIP	FASCETTA	4
8	TEN01162	682-11325-00	ÁNODO ZINC	ZINC ANODE	ANODO ZINCO	1
9		98780-05015	TORNILLO	SCREW, FLAT HEAD	VITE	1
10	PAF15-00000006	93606-12019	PIN CENTRADOR	PIN, DOWEL	SPINOTTO CENTRAGGIO	2
11		90119-08M07	TORNILLO	BOLT, WITH WASHER	VITE	6
12		63V-41111-00-1S	PLACA	INNER COVER, EXHAUST	PIASTRA	1
13	REC63V-41112-A0	63V-41112-A0	JUNTA TAPA	GASKET COVER	GUARNIZIONE COPERCHIO	2
14		63V-41113-00-1S	TAPA	OUTER COVER, EXHAUST	COPERCHIO	1
15	PAF15-04000005	676-11372-00	CONEXIÓN	NIPPLE HOSE	TUBO	1
16		90445-09105	TUBO	HOSE (L300)	TUBO	1
17		90119-06MA4	TORNILLO	BOLT, WITH WASHER	VITE	13
18		6E7-11111-01-1S	CULATA	HEAD CYLINDER 1	TESTATA	1
19	REC63V-11181-A1	63V-11181-A2	JUNTA CULATA	GASKET HEAD	GUARNIZIONE TESTATA	1
20		90105-07002	TORNILLO	BOLT, FLANGE	VITE	11
21		682-12413-00-1S	TAPA TERM	COVER, THERMOSTAT	COPERCHIO TERMOSTATO	1
22	REC6E5-12411-30	6E5-12411-30	TERMOSTATO	THERMOSTAT	TERMOSTATO	1
23		90201-16M03	ARANDELA	WASHER, PLATE	RONDELLA	1
24	REC682-12414-A1	682-12414-A1	JUNTA TAPA	GASKET, COVER	GUARNIZIONE COPERCHIO	1
25		90119-06MA2	TORNILLO	BOLT, WITH WASHER	VITE	4
26	NGKB7HS-10	94702-00217	BUJÍA	PLUG, SPARK (NGK B7HS-10)	CANDELA	2

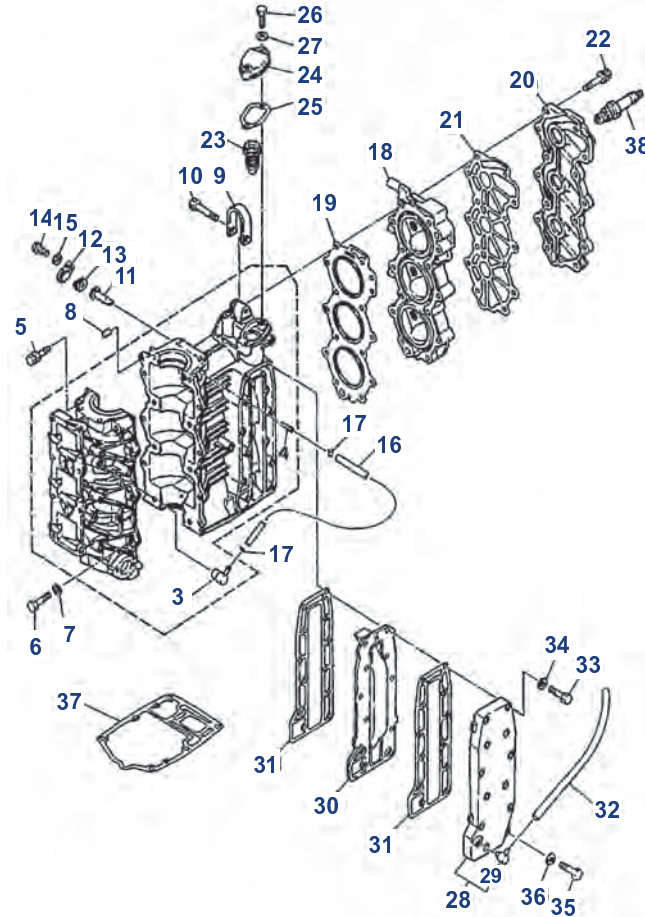
9.9F/FM/FEM/MHV - FMH/MSH - 13.5AMH
15F/FEM/FM/MH/MSH - FW/MHH



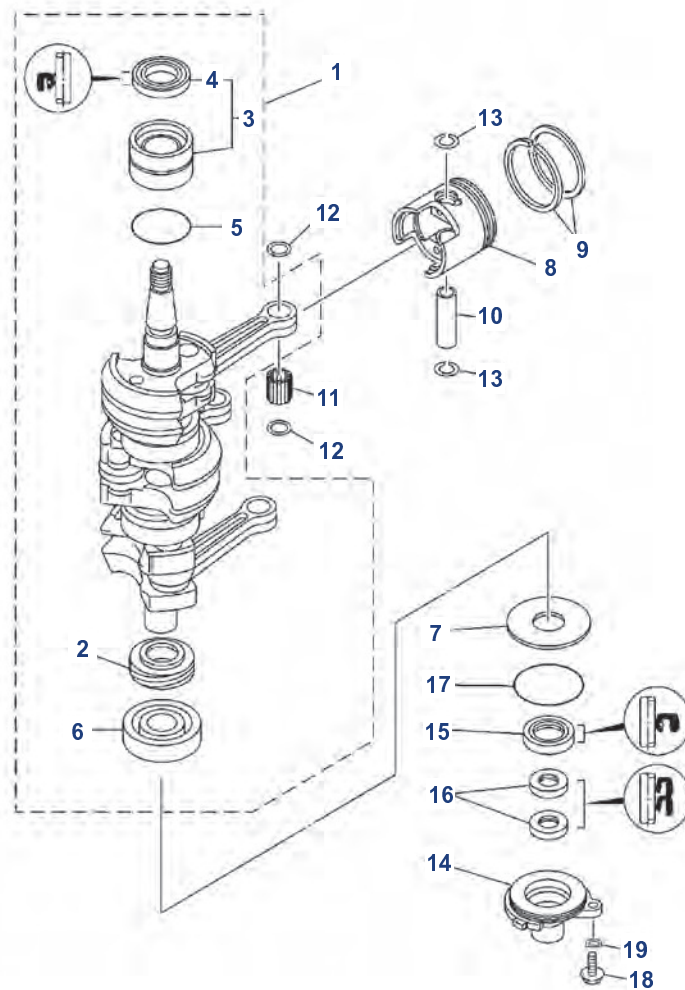
Nº	Ref.	R.O. OEM	Descripción	Description	Descrizione	Cantidad Qty Quantità
1		624-14485-00	CUERPO RETÉN	HOUSING, OIL SEAL	CORPO GUARNIZIONE	1
2	REC93210-46M16	93210-46M16	ARO TÓRICO	O-RING	O-RING	1
3	REC93101-25018	93101-25018	RETÉN	OIL SEAL	PARAOILIO	1
4	REC93102-25M48	93102-25M48	RETÉN	OIL SEAL	PARAOILIO	1
5	REC93101-13018	93101-13018	RETÉN	OIL SEAL	PARAOILIO	2
6		97095-06016	TORNILLO	BOLT	VITE	1
7	PAGB/T97.1-8	92995-06600	ARANDELA	WASHER	RONDELLA	1
8		63V-11400-01	CIGÜEÑAL	CRANKSHAFT ASSY	ALBERO MOTORE	1
9	REC63V-11412-00	63V-11412-00	PARTE 1 CIGÜEÑAL	CRANK 1	PARTE 1 ALBERO MOTORE	1
10	REC63V-11422-00	63V-11422-00	PARTE 2 CIGÜEÑAL	CRANK 2	PARTE 2 ALBERO MOTORE	1
11	REC63V-11432-00	63V-11432-00	PARTE 3 CIGÜEÑAL	CRANK 3	PARTE 3 ALBERO MOTORE	1
12	REC63V-11442-00	63V-11442-00	PARTE 4 CIGÜEÑAL	CRANK 4	PARTE 4 ALBERO MOTORE	1
13	REC93306-205U7	93306-20U7	RODAMIENTO	BEARING	CUSCINETTO	3
14	REC63V-11515-02	63V-11515-02	ARILLO	SEAL, LABYRINTH 1	GUARNIZIONE	1
15	REC682-11681-00	682-11681-00	BULÓN	PIN, CRANK 1	SPINOTTO	2
16	REC650-11651-00	650-11651-00	BIELA	ROD CONNECTING	BIELLA	2
17	REC93310-620V5	93310-620V5	RODAMIENTO	BEARING	CUSCINETTO	2
18	REC90209-20M23	90209-20M23	ARANDELA	WASHER	RONDELLA	4
19		91609-20008	PIN	PIN, SPRING	SPINOTTO	1
20	REC93440-52009	93440-52009	CERCLIP	CIRCLIP	CLIP CHIUSURA	1
21	REC6E7-11631-00K	6E7-11631-00-97	PISTÓN	PISTON (STD)	PISTONE	2
	REC6E7-11635-00K	6E7-11635-00	PISTÓN	PISTON (0.25mm O/S)	PISTONE	2
	REC6E7-11636-00K	6E7-11636-00	PISTÓN	PISTON (0.50mm O/S)	PISTONE	2
22	REC682-11610-01	682-11610-01	SEGMENTOS	RING SET (STD)	FASCE	2
	REC682-11610-11	682-11610-11	SEGMENTO	RING SET (0.25mm O/S)	SEGMENTO	2
	REC682-11610-21	682-11610-21	SEGMENTO	RING SET (0.50mm O/S)	SEGMENTO	2
23	REC634-11633-00	634-11633-00	BULÓN	PIN, PISTON	SPINOTTO	2
24	REC93602-14104	93602-14104	AGUJA RODAMIENTO	PIN, DOWEL	SPILLO CUSCINETTO	50
25	REC90201-14377	90201-14377	ARANDELA	WASHER, PLATE	RONDELLA	4
26	REC93450-15023	93450-15023	CIERRE	CIRCLIP	CLIP CHIUSURA	4
27	REC93110-23M00	93110-23M00	RETÉN	OIL SEAL	PARAOILIO	1
28	REC63V-11445-00	63V-11445-00	ARANDELA ESPACIADORA	SPACER	RONDELLA DI SPESSORE	2
29	REC90201-46M29	90201-46M29	ARANDELA	WASHER, PLATE	RONDELLA	1



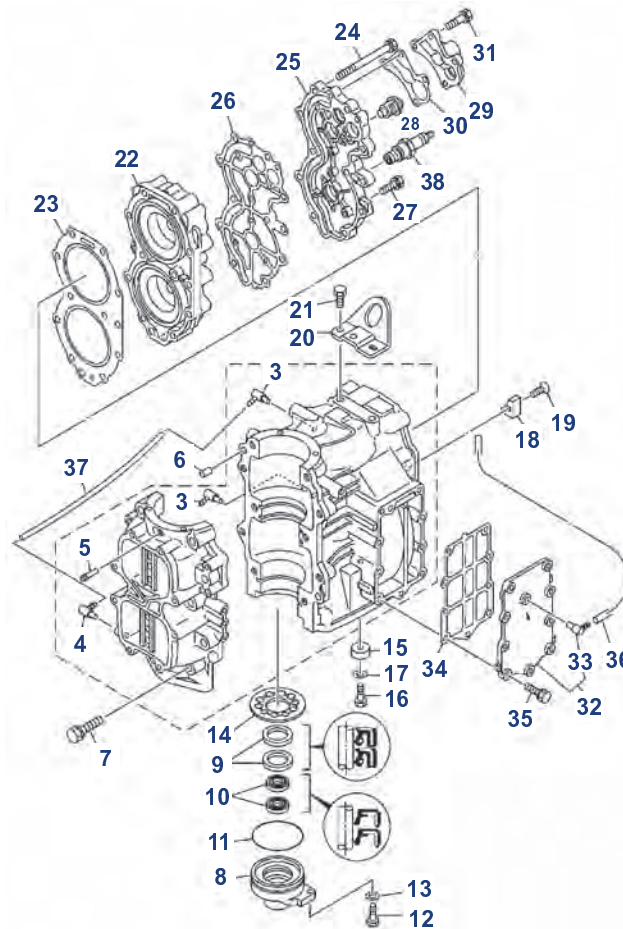
Nº	Ref.	R.O. OEM	Descripción	Description	Descrizione	Cantidad Qty Quantità
3		90119-08009	TORNILLO	BOLT, WITH WASHER	VITE	2
4		90119-08M65	TORNILLO	BOLT, WITH WASHER	VITE	8
5	PAF15-00000006	93606-12019	PIN CENTRADOR	PIN, DOWEL	SPINOTTO CENTRAGGIO	2
6		689-15396-01-5B	CUERPO RETÉN	HOUSING OIL SEAL	CORPO GUARNIZIONE	1
7	REC93102-25008	93102-25008	RETÉN	OIL SEAL	PARAOLIO	1
8	REC93101-16001	93101-16001	RETÉN	OIL SEAL	PARAOLIO	2
9	REC93210-58M21	93210-58M21	ARO TÓRICO	O-RING	O-RING	1
10		97095-06022	TORNILLO	BOLT	VITE	1
11	PAGB/T97.1-8	92995-06600	ARANDELA	WASHER	RONDELLA	1
12	CM6J8-11325-00	6J8-11325-00	ÁNODO ZINC	ANODE	ANODO	1
13		6H3-11327-00-94	TAPA	COVER, ANODE	COPERCHIO ANODO	1
14		6H3-11328-00	JUNTA ANODO	GROMMET, ANODE	GUARNIZIONE ANODO	1
15		97013-06016	TORNILLO	BOLT	VITE	1
16		92903-06600	ARANDELA	WASHER, PLATE	RONDELLA	1
17	TEN01121	689-11325-00	ÁNODO ZINC	ANODE	ANODO	1
18		90151-06M02	TORNILLO	SCREW, COUNTERSUNK	VITE	1
19		61N-11111-01-1S	CULATA	HEAD CYLINDER (25MH ENGINES)	TESTATA	1
		61T-11111-01-1S	CULATA	HEAD CYLINDER	TESTATA	1
20	PAF15-04000005	676-11372-00	RACORD	NIPPLE HOSE	RACCORDO	1
21	REC61N-11181-00	61N-11181-A1	JUNTA CULATA	GASKET, CYLINDER HEAD	GUARNIZIONE TESTATA	1
22		61N-11191-01-1S	TAPA CULATA	COVER, CYLINDER HEAD	Coperchio Testata	1
23	REC61T-11193-A0	61T-11193-A1	TAPA JUNTA CULATA	GASKET HEAD COVER	GUARN. COPERCHIO TESTATA	1
24		90119-06MA2	TORNILLO	BOLT, WITH WASHER	VITE	2
25		90119-08015	TORNILLO	BOLT, WITH WASHER	VITE	11
26	REC6E5-12411-02	6E5-12411-01	TERMOSTATO	THERMOSTAT	TERMOSTATO	1
27		90201-21567	ARANDELA	WASHER PLATE	RONDELLA	1
28		655-12413-01-1S	TAPA	COVER THERMOSTAT	COPERCHIO	1
29	REC655-12414-A1	655-12414-A1	JUNTA	GASKET COVER	GUARNIZIONE	1
30		90119-06MA2	TORNILLO	BOLT WITH WASHER	VITE	3
31		6K8-41121-00-1S	PLACA	INNER COVER, EXHAUST	PIASTRA SCARICO	1
32	REC6K8-41122-A1	6K8-41122-A1	JUNTA	GASKET, EXHAUST INNER COVER	GUARNIZIONE	1
33		61N-41123-00-1S	TAPA	OUTER COVER, EXHAUST	COPERCHIO	1
34	PAF15-04000005	676-11372-00	RACORD	NIPPLE, HOSE	RACCORDO	1
35		90445-10M41	TUBO	HOSE (L105)	TUBO	1
36	REC6K8-41124-A1	6K8-41124-A1	JUNTA	GASKET, EXHAUST OUTER COVER	GUARNIZIONE	1
37		90119-06MA3	TORNILLO	BOLT, WITH WASHER	VITE	1
38		90119-06MA4	TORNILLO	BOLT WITH WASHER	VITE	11
39		90119-06MA0	TORNILLO	BOLT WITH WASHER	VITE	3
40		90201-50306	ARANDELA	WASHER, PLATE	RONDELLA	1
41	REC61T-45113-A0	689-45113-A1	JUNTA	GASKET UPPER CASING	GUARNIZIONE	1
42	NGKBR7HS-10	94702-00271	BUJÍA	PLUG SPARK (NGK BR7HS-10) (25MH ENGINES)	CANDELA	2
	NGKB7HS-10	94702-00217	BUJÍA	PLUG SPARK (NGK B7HS-10)	CANDELA	2
43		69P-11400-00	CIGÜEÑAL	CRANKSHAFT ASSY	ALBERO MOTORE	1
44	REC6G0-11412-00	69P-11412-00	PARTE 1 CIGÜEÑAL	CRANK 1	PARTE 1 ALBERO MOTORE	1
45	REC6G0-11422-00	61N-11422-00	PARTE 2 CIGÜEÑAL	CRANK 2	PARTE 2 ALBERO MOTORE	1
46	REC6G0-11432-00	61N-11432-00	PARTE 3 CIGÜEÑAL	CRANK 3	PARTE 3 ALBERO MOTORE	1
47	REC6G0-11442-00	61N-11442-00	PARTE 4 CIGÜEÑAL	CRANK 4	PARTE 4 ALBERO MOTORE	1
48	REC93399-99951	93399-99951	RODAMIENTO	BEARING	CUSCINETTO	1
49	REC93102-32M07	93102-32M07	RETÉN	OIL SEAL	PARAOLIO	1
50	REC93210-46M16	93210-46M16	ARO TÓRICO	O-RING	O-RING	1
51	REC93306-305U3	93306-305U3	RODAMIENTO	BEARING	CUSCINETTO	1
52	REC61N-11515-00	61N-11515-00	ARO	SEAL, LABYRINTH	O-RING	1
53		93440-62057	CERCLIP	CIRCLIP	CLIP CHIUSURA	1
54	REC689-11651-00	689-11651-00	BIELA	ROD CONNECTING	BIELLA	2
55	REC689-11681-00	689-11681-01	BULÓN	PIN, CRANK 1	BULLONE	2
56	REC93310-624U5	93310-62406	RODAMIENTO	BEARING	CUSCINETTO	2
57	REC90209-24M03	90209-24M03	ARANDELA	WASHER	RONDELLA	4
58	REC90387-32002	90387-32002	COLLAR	COLLAR	COLLARE	1
59		93390-00009	RODAMIENTO	BEARING	CUSCINETTO	1
60	REC61N-11631-00K	61N-11631-00-95	PISTÓN	PISTON (STD)	PISTONE	2
	REC61N-11635-00K	61N-11635-00	PISTÓN	PISTON (25mm O/S)	PISTONE	2
	REC61N-11636-00K	61N-11636-00	PISTÓN	PISTON (50mm O/S)	PISTONE	2
61	REC61N-11603-00	61N-11603-00	SEGMENTOS	PISTON RING TEST (STD)	SET FASCE	2
	REC61N-11604-00	61N-11604-00	SEGMENTO	PISTON RING SET (25mm O/S)	SET FASCE	2
	REC61N-11605-00	61N-11605-00	SEGMENTO	PISTON RING SET (50mm O/S)	SET FASCE	2
62	REC689-11633-00	689-11633-00	BULÓN	PIN, PISTON	SPINOTTO	2
63	REC93602-20M02	93602-20M02	AGUJA RODAMIENTO	PIN, DOWEL	GABBIA A RULLI	68
64	REC688-11634-00	688-11634-00	CIERRE	CLIP, PISTON PIN	CLIP CHIUSURA PISTONE	4
65	REC90201-20M27	90201-20M27	ARANDELA CIERRE	WASHER, PLATE	RONDELLA CLIP CHIUSURA	4
66	REC90280-05049	90280-05049	CHAVETA	KEY WOODRUFF	CHIAVETTA	1



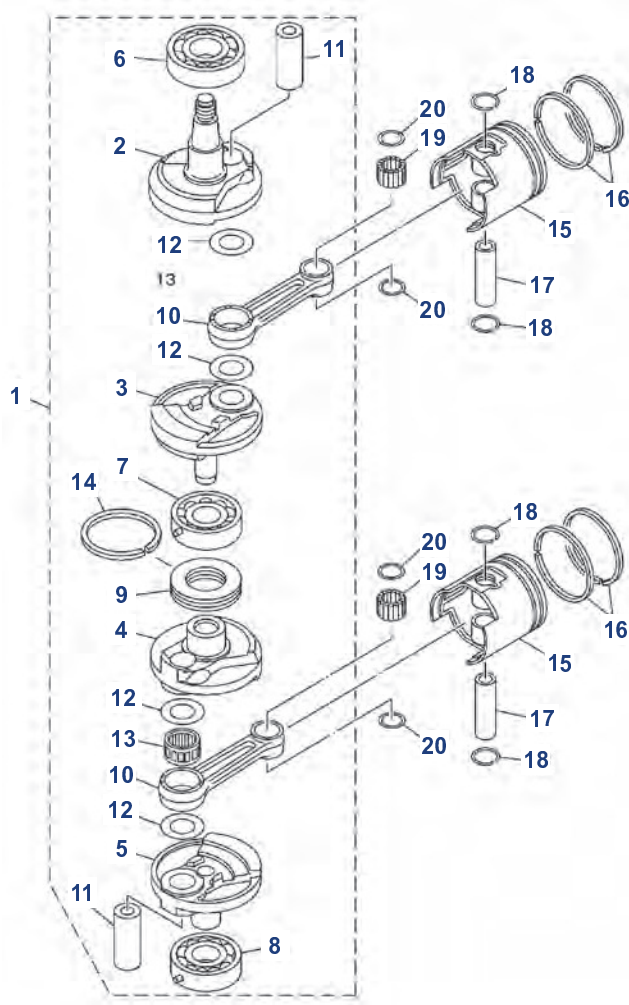
Nº	Ref.	R.O. OEM	Descripción	Description	Descrizione	Cantidad Quantity Quantità
3	REC650-11370-00	650-11370-00	VÁLVULA DE CONTROL COMPL.	CHECK VALVE ASSY	VALVOLA DI CONTROLLO COMPL.	1
4		624-14485-00	TUBO DE UNIÓN	CONNECTING HOSE	RACCORDO TUBO	1
5		90119-08M19	TORNILLO CON ARANDELA	BOLT WITH WASHER	VITE CON RONDELLA	8
6	REC97095-06030	97095-06030	PERNO	BOLT	PERNO	6
7		92990-06600	ARANDELA PLANA	FLAT WASHER	RONDELLA PIANA	6
8	REC93606-12019	93606-12019	PASADOR DE CLAVIJA	PEG BOLT	PERNO PASSANTE	2
9		6F5-11119-00	SOPORTE DEL MOTOR	ENGINE BRACKET	SUPPORTO MOTORE	1
10		97013-08035	PERNO	BOLT	PERNO	1
11	TEN01150	6J8-11325-00	ÁNODO	ANODE	ANODO	2
12		6H3-11327-00-94	CUBIERTA DE ÁNODO	ANODE COVER	COPERCHIO ANODO	2
13		6H3-11328-00	TAPÓN	PLUG	TAPPO	2
14		97095-06016	PERNO	BOLT	PERNO	2
15		92990-06600	ARANDELA PLANA	FLAT WASHER	RONDELLA PIANA	2
16		90445-07M29	TUBO (L135)	HOSE (L135)	TUBO (L135)	1
17	PAHT-2.5X60	90467-06016	PRESILLA	FASTENER	CLIP	2
18		6J8-11111-00-94	CULATA CILINDRO 1	CYLINDER HEAD 1	TESTATA CILINDRO 1	1
19	REC6J8-11181-A2	6J8-11181-A1	JUNTA DE CULATA 1	CYLINDER HEAD GASKET	GUARNIZIONE TESTATA 1	1
20		6J8-11191-00-9M	TAPA CULATA DE CILINDRO 1	CYLINDER HEAD COVER 1	COPERCHIO TESTATA CILINDRO 1	1
21		6J8-11193-A1	JUNTA	GASKET	GUARNIZIONE	1
22	REC90119-08M21	90119-08M21	TORNILLO CON ARANDELA	BOLT WITH WASHER	VITE CON RONDELLA	14
23	REC6E5-12411-02	6E5-12411-01	TERMOSTATO	THERMOSTAT	TERMOSTATO	1
24		6H4-12413-00-9M	CUBIERTA TERMOSTATO	THERMOSTAT COVER	COPERCHIO TERMOSTATO	1
25	REC61A-12414-A0	61A-12414-A0	JUNTA	GASKET	GUARNIZIONE	1
26		97095-06025	PERNO	BOLT	PERNO	2
27		92990-06600	ARANDELA PLANA	FLAT WASHER	RONDELLA PIANA	2
28		6J8-41113-00-9M	CUBIERTA EXT. ESCAPE	OUTTER EXHAUST COVER	COPERCHIO EST. DI SCARICO	1
29	PAF15-04000005	676-11372-00	NIPPLE DE MANGUERA	HOSE NIPPLE	RACCORDO TUBO	1
30		6J8-41111-00-9M	CUBIERTA INTERIOR DE ESCAPE	INNER EXHAUST COVER	COPERCHIO INTERNO DI SCARICO	1
31		6J8-41114-A0	JUNTA	GASKET	GUARNIZIONE	2
32		6J8-1111J-00	TUBO 1	HOSE 1	TUBO 1	1
33		97014-06035	TORNILLO HEXAGONAL	HEXAGON BOLT	VITE ESAGONALE	11
34		92990-06600	ARANDELA PLANA	FLAT WASHER	RONDELLA PIANA	11
35		97095-06025	PERNO	BOLT	PERNO	1
36		92990-06600	ARANDELA PLANA	FLAT WASHER	RONDELLA PIANA	1
37	REC6J8-45113-00	6J8-45113-A0	JUNTA	GASKET	GUARNIZIONE	1
38	NGKBR7HS-10	94702-00271	BUJÍA (NGK BR7HS-10)	SPARKPLUG (NGK BR7HS-10)	CANDELA (NGK BR7HS-10)	3



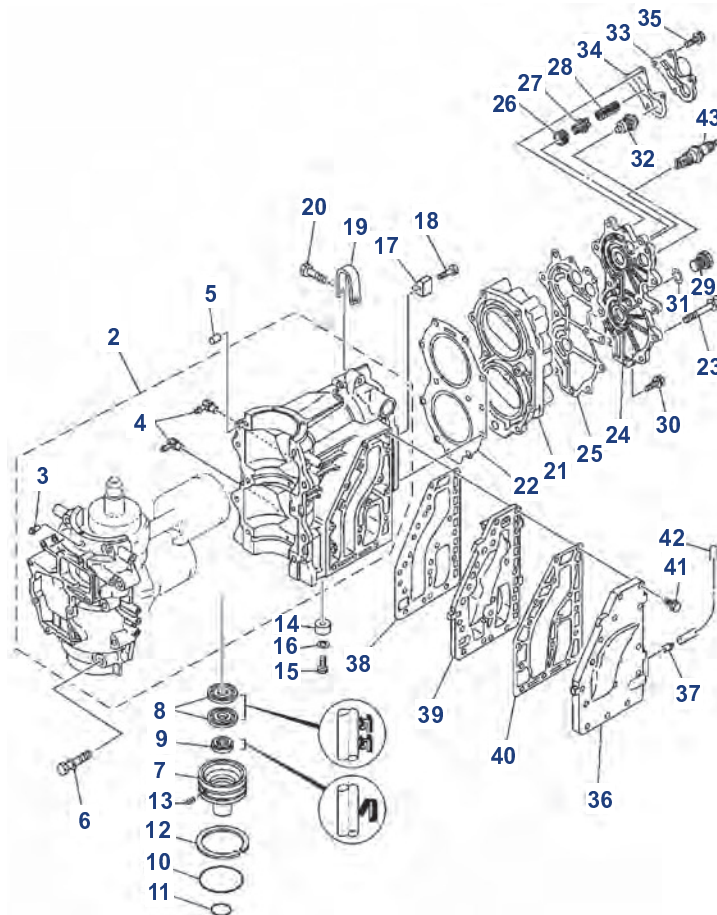
Nº	Ref.	R.O. OEM	Descripción	Description	Descrizione	Cantidad Quantity Quantità
1		6J8-11400-11	CIGÜEÑAL COMPLETO	CRANKSHAFT ASSY	ALBERO MOTORE	1
2		6J8-11536-00	ENGRANAJE TRACCIÓN	GEAR DRIVE	INGRANAGGIO	1
3	REC93311-632U7	93311-632U7	COJINETE RODILLOS	BEARING, CYL	CUSCINETTO CILINDRO	1
4	REC93102-26M27	93102-26M27	SELLO ACEITE	OIL SEAL	PARAOILIO	1
5	REC93210-42159	93210-42159	ANILLO O	O RING	O-RING	1
6	REC93306-305U3	93306-305U3	COJINETE	BEARING	CUSCINETTO	1
7		90201-50306	ARANDELA PLANA	FLAT WASHER	RONDELLA PIANA	1
8	REC6J8-11631-02K	6J8-11631-02-97	PISTÓN (NORMA)	PISTON	PISTONE (STD)	3
		6J8-11635-02	PISTÓN (0.25mm O/S)	PISTON	PISTONE (0.25mm O/S)	3
		6J8-11636-02	PISTÓN (0.50mm O/S)	PISTON	PISTONE (0.50mm O/S)	3
9		6J8-11601-01	JUEGO DE AROS (NORMA)	RING SET	SET FASCE (STD)	3
		6J8-11601-11	JUEGO DE AROS (0.25mm O/S)	RING SET	SET FASCE (0.25mm O/S)	3
		6J8-11601-21	JUEGO DE AROS (0.50mm O/S)	RING SET	SET FASCE (0.50mm O/S)	3
10		6J8-11633-00	PASADOR PISTÓN	PIN PISTON	SPINOTTO PISTONE	3
11		93602-16M10	PASADOR CLAVIJA	PIN PEG	SPINOTTO	84
12		90201-16379	ARANDELA PLANA	FLAT WASHER	RONDELLA PIANA	6
13		93450-17129	CIERRE	CIRCLIP	CLIP CHIUSURA	6
14		6J8-15396-00-8B	CAJA DE SELLO DE ACEITE	SEAL OIL BOX	PARAOILIO	1
15		93101-25M28	SELLO ACEITE	OIL SEAL	PARAOILIO	1
16	REC93104-16M01	93104-16M04	SELLO ACEITE	OIL SEAL	PARAOILIO	2
17	REC6E5-12411-02	93210-56M80	ANILLO O	O RING	O-RING	1
18		97095-06016	PERNO	BOLT	PERNO	2
19	REC61A-12414-A0	92990-06600	ARANDELA PLANA	FLAT WASHER	RONDELLA PIANA	2



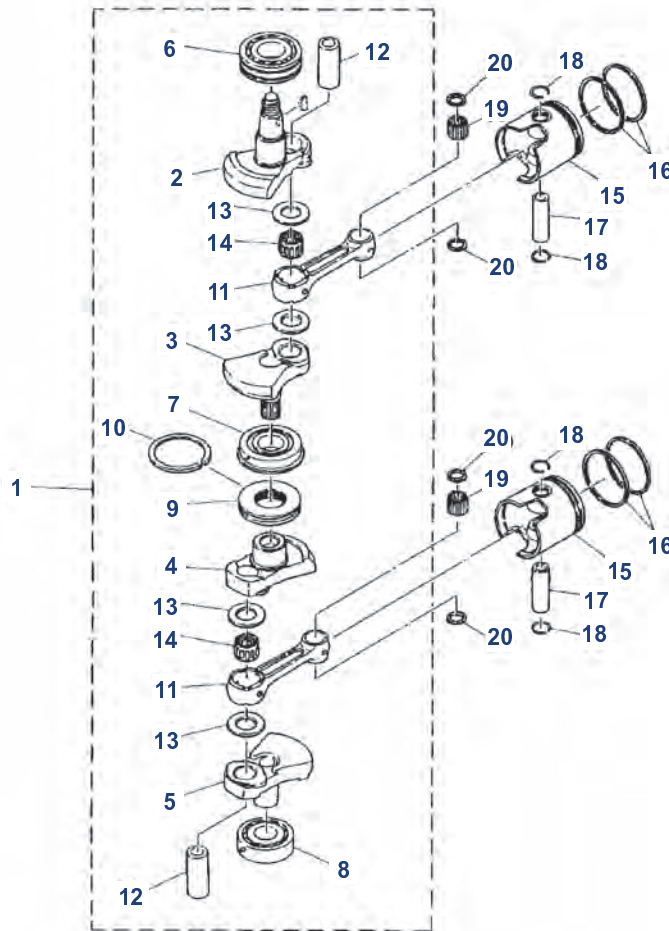
Nº	Ref.	R.O. OEM	Descripción	Description	Descrizione	Cantidad Quantity Quantità
3		6E5-03552-00	RACORD	NOZZEL	RACCORDO	2
4		6E5-13552-00	RACORD	NOZZEL	RACCORDO	1
5		624-14485-00	CENTRADOR	PIPE, JOINT	GIUNTO PER TUBO	1
6		93608-12063	PIN	DOWEL	SPINOTTO	2
7		90119-10005	TORNILLO	BOLT, WITH WASER	VITE	10
8		66T-15396-01-94	CUERPO RETÉN	HOUSIN, OIL SEAL	CORPO GUARNIZIONE	1
9	REC93102-30M56	93102-30M56	RETÉN	OIL SEAL	PARAOLIO	2
10	REC93101-16001	93101-16001	RETÉN	OIL SEAL	PARAOLIO	2
11	REC93210-65M50	93210-65M50	ARO TÓRICO	O-RING	O-RING	1
12		97095-06020	TORNILLO	BOLT	VITE	1
13	PAGB/T97.1-8	92995-06600	ARANDELA	WASHER	RONDELLA	1
14		66T-11565-00	ARANDELA	WASHER, BEARING COVER	RONDELLA	1
15	TEN01127	676-45251-00	ÁNODO	ANODE	ANODO	1
16		97095-06020	TORNILLO	BOLT	VITE	1
17	PAGB/T97.1-8	92995-06600	ARANDELA	WASHER	RONDELLA	1
18	TEN01166	676-11325-00	ÁNODO	ANODE	ANODO	1
19		90141-06M00	TORNILLO	SCREW, COUNTERSUNK	VITE	1
20		66T-11119-00	GANCHO	HANGER, ENGINE	GANCIO	1
21		90101-08002	TORNILLO	BOLT	VITE	2
22		66T-11111-01-1S	CULATA	HEAD CYLINDER	TESTATA	1
23	REC66T-11181-00	66T-11181-A2	JUNTA CULATA	HEAD CYLINDER GASKET	GUARNIZIONE TESTATA	1
24		90119-08MA5	TORNILLO	BOLT, WITH WASHER	VITE	11
25		66T-11191-00-1S	CULATÍN	COVER, CYLINDER HEAD	COPERCHIO TESTATA	1
26	REC66T-11193-A0	66T-11193-A2	JUNTA CULATÍN	HEAD COVER GASKET	GUARNIZIONE TESTATA	1
27		90119-06MA3	TORNILLO	BOLT, WITH WASHER	VITE	4
28	REC6E5-12411-02	6E5-12411-01	TERMOSTATO	THERMOSTAT	TERMOSTATO	1
29		676-12413-00-1S	TAPA TERMOSTATO	THERMOSTAT COVER	COPERCHIO TERMOSTATO	1
30	REC676-12414-A0	676-12414-A0	JUNTA TAPA	GASKET, COVER	GUARNIZIONE COPERCHIO	1
31		90119-06MA5	TORNILLO	BOLT, WITH WASHER	VITE	4
32		66T-41113-00-1S	TAPA	OUTER COVER, EXHAUST	COPERCHIO	1
33		676-11372-00	RACORD	NIPPLE HOSE	RACCORDO	1
34	REC66T-41114-A0	66T-41114-A0	JUNTA TAPA REFRIG.	GASKET, EXHAUST OUTER COVER	GUARN. COPERCHIO REFRIG.	1
35		90119-06MA3	TORNILLO	BOLT, WITH WASHER	VITE	9
36		90445-09M75	TUBO	HOSE (L370)	TUBO	1
37		90445-07M08	TUBO	HOSE (L220)	TUBO	1
38	NGKBR7HS	NGK-BR7HS-PK10	BUJÍA NGKBR7HS	PLUG, SPARK NGKBR7HS	CANDELA NGKBR7HS	2



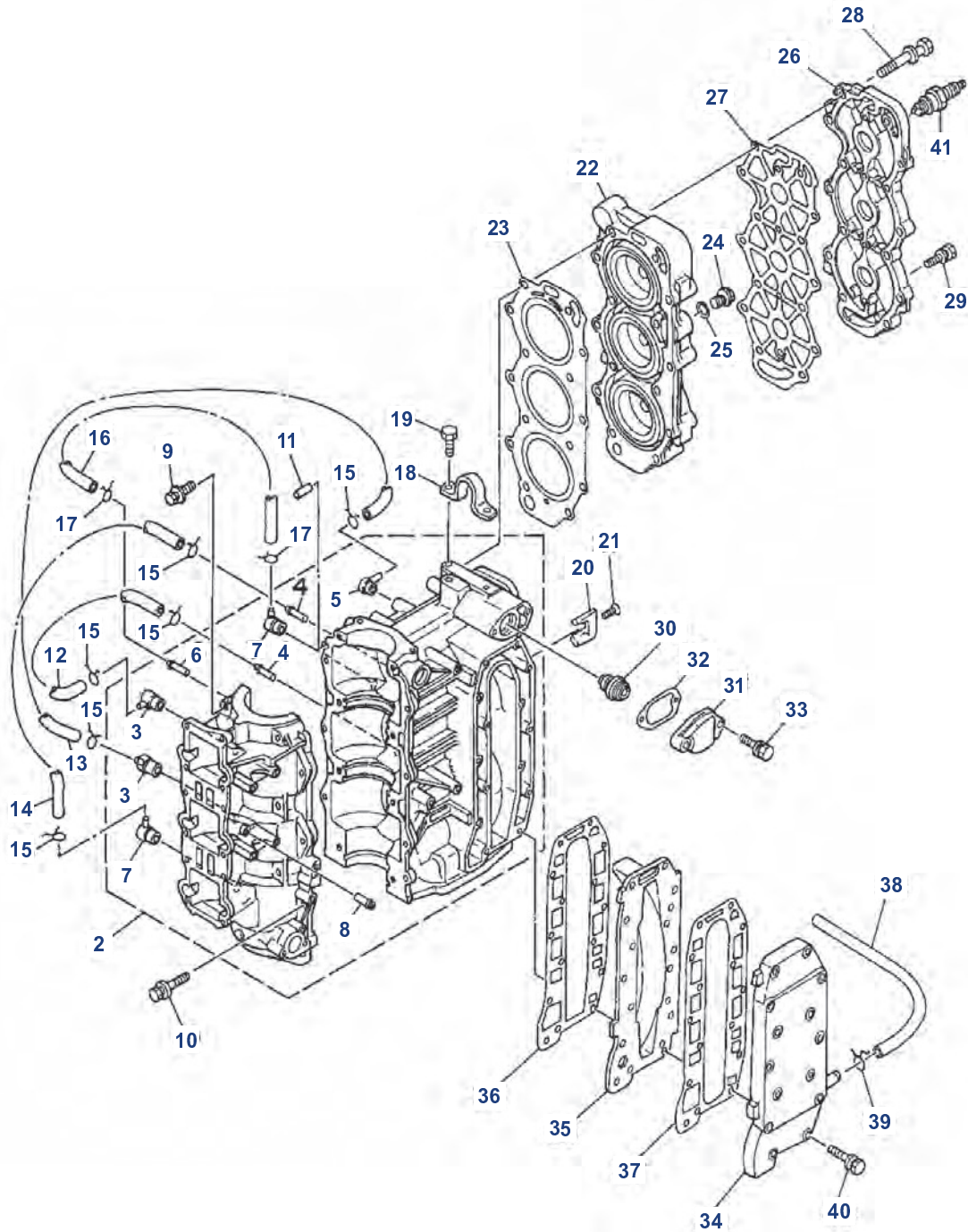
Nº	Ref.	R.O. OEM	Descripción	Description	Descrizione	Cantidad Quantity Quantità
1		66T-11400-01	CIGÜEÑAL	CRANKSHAFT ASSY	ALBERO MOTORE	1
2	REC66T-11412-00	66T-11412-00	PARTE 1 CIGÜEÑAL	CRANK 1	PARTE 1 ALBERO MOTORE	1
3	REC66T-11422-00	66T-11422-00	PARTE 2 CIGÜEÑAL	CRANK 2	PARTE 2 ALBERO MOTORE	1
4	REC66T-11432-00	66T-11432-00	PARTE 3 CIGÜEÑAL	CRANK 3	PARTE 3 ALBERO MOTORE	1
5	REC66T-11442-00	66T-11442-00	PARTE 4 CIGÜEÑAL	CRANK 4	PARTE 4 ALBERO MOTORE	1
6	REC93306-307U0	93306-307U0	RODAMIENTO	BEARING	CUSCINETTO	1
7	REC93332-000UE	93332-000UE	RODAMIENTO	BEARING	CUSCINETTO	1
8	REC93306-306V5	93306-306V5	RODAMIENTO	BEARING	CUSCINETTO	1
9	REC6F5-11515-00	6F5-11515-00	ARILLO	SEAL, LABERYNTH 1	GUARNIZIONE TONDA	1
10	REC6F5-11651-00	6F5-11651-00	BIELA	ROD, CONNECTING	BIELLA	2
11	REC66T-11681-00	66T-11681-00	BULÓN	PIN CRANK 1	SPINOTTO	2
12	REC90209-27M07	90209-27M07	ARANDELA	WASHER	RONDELLA	4
13	REC93310-727U0	93310-727U0	RODAMIENTO	BEARING	CUSCINETTO	2
14	REC93440-68M03	93440-68M03	CIERRE	CIRCLIP	CLIP CHIUSURA	1
15	REC66T-11631-01K	66T-11631-01-93	PISTÓN	PISTON (STD)	PISTONE	2
	REC66T-11635-01K	66T-11635-01	PISTÓN	PISTON (0.25mm O/S)	PISTONE	2
	REC66T-11636-01K	66T-11636-01	PISTÓN	PISTON (0.50mm O/S)	PISTONE	2
16	REC66T-11603-00	66T-11603-00	SEGMENTOS	PISTON RING SET (STD)	SET FASCE	2
	REC66T-11604-00	66T-11604-00	SEGMENTOS	PISTON RING SET (0.25mm O/S)	SET FASCE	2
	REC66T-11605-00	66T-11605-00	SEGMENTOS	PISTON RING SET (0.50mm O/S)	SET FASCE	2
17	REC6F5-11633-00	6F5-11633-00	BULÓN	PIN, PISTON	SPINOTTO	2
18	REC663-11634-00	663-11634-00	JUNTA	CLIP, PISTON PIN	GUARNIZIONE	4
19	REC93603-21111	93603-21111	AGUJAS RODAMIENTO	PIN, DOWEL	SPINOTTO CENTRAGGIO	56
20	REC90201-20417	90201-20417	ARANDELA	WASHER, PLATE	RONDELLA	4



Nº	Ref.	R.O. OEM	Descripción	Description	Descrizione	Cantidad Quantity Quantità
3		624-14485-00	TUBO DE UNIÓN	PIPE, JOINT	GIUNTO PER TUBO	1
4	REC650-11370-00	650-11370-01	VÁLVULA CONTROL COMPL.	CONTROL VALVE	VALVOLA DI CONTROLLO COMPL.	2
5		93608-12063	PASADOR DE CLAVIJA	PIN DOWEL	PERNO PASSANTE	2
6		90119-10005	TORNILLO CON ARANDELA	BOLT WITH WASHER	VITE CON RONDELLA	10
7		6F5-15396-01-5B	CAJA DE SELLO DE ACEITE	HOUSING OIL SEAL	PARAOILIO	1
8	REC93101-30M33	93101-30M33	RETÉN	OIL SEAL	PARAOILIO	2
9	REC93104-16M01	93104-16M01	RETÉN	OIL SEAL	PARAOILIO	1
10	REC93210-65M50	93210-65M50	ANILLO O	O RING	O-RING	1
11	REC93210-22M02	93210-22M02	ANILLO O	O RING	O-RING	1
12	REC93440-68M03	93440-68M03	CIERRE	CIRCLIP	CLIP CHIUSURA	1
13		91690-30010	PASADOR DE RESORTE	PIN, SPRING	SPINOTTO DI RITORNO	1
14	TEN01127	676-45251-00	ÁNODO	ANODE	ANODO	1
15		97095-06016	PERNO	BOLT	PERNO	1
16		92995-06600	ARANDELA	WASHER	RONDELLA	1
17	TEN01166	676-11325-00	ÁNODO	ANODE	ANODO	1
18		90141-06M00	TORNILLO RANURADO	SLOTTED BOLT	VITE SCANALATA	1
19		6F5-11119-00	SOPORTE DEL MOTOR	ENGINE BRACKET	SUPPORTO MOTORE	1
20		90101-08001	TORNILLO	BOLT	VITE	1
21		6F6-11111-00-1S	CULATA CILINDRO 1	CYLINDER HEAD 1	TESTA CILINDRO 1	1
22	REC6F5-11181-A2	6F5-11181-A1	JUNTA DE CULATA 1	HEAD CYLINDER GASKET 1	GUARNIZIONE TESTATA 1	1
23		90119-08MA5	TORNILLO CON ARANDELA	BOLT WITH WASHER	VITE CON RONDELLA	11
24		6F6-11191-00-1S	TAPA CULATA DE CILINDRO 1	HEAD CYLINDER COVER	COPERCHIO TESTATA CILINDRO1	1
25	REC6F6-11193-A1	6F6-11193-A1	JUNTA	GASKET	GUARNIZIONE	1
26		90480-18065	TAPON	PLUG	TAPPO	1
27		663-12416-00	VÁLVULA CONTROL DE PRESIÓN	VALVE, PRESS CONTROL	VALVOLA DI CONTROLLO PRESSIONE	1
28		90501-14M02	RESORTE DE COMPRESIÓN	SPRING COMPRESSION	MOLLA DI COMPRESIONE	1
29		90340-14036	TORNILLO DE DRENAJE	PLUG STRAIGHT SCREW	VITE DRENAGGIO	1
30		90119-06MA3	TORNILLO CON ARANDELA	BOLT WITH WASHER	VITE CON RONDELLA	4
31	PAF15-04000003	90430-14115	JUNTA	GASKET	GUARNIZIONE	1
32	REC6F5-12411-03	6F5-12411-02	TERMOSTATO	THERMOSTAT	TERMOSTATO	1
33		6E9-12413-00-1S	CUBIERTA TERMOSTATO	THERMOSTAT COVER	COPERCHIO TERMOSTATO	1
34	REC6E9-12414-A1	6E9-12414-A1	JUNTA	GASKET	GUARNIZIONE	1
35		90119-06MA4	TORNILLO CON ARANDELA	BOLT WITH WASHER	VITE CON RONDELLA	4
36		6F5-41113-01-1S	CUBIERTA EXT. DE ESCAPE	OUTTER EXHAUST COVER	COPERCHIO ESTERNO SCARICO	1
37		650-24378-00	TUBO DE UNIÓN 4	PIPE JOINT 4	GIUNTO PER TUBO 4	1
38	REC6F5-41112-A0	6F5-41112-A0	JUNTA	GASKET	GUARNIZIONE	1
39		6F5-41112-01-1S	CUBIERTA INT. DE ESCAPE	INNER EXHAUST COVER	COPERCHIO INT. SCARICO	1
40	REC6F5-41114-A0	6F5-41114-A0	JUNTA	GASKET	GUARNIZIONE	1
41		90119-06MA3	TORNILLO CON ARANDELA	BOLT WITH WASHER	VITE CON RONDELLA	16
42		90445-09M37	TUBO (L240)	HOSE (L240)	TUBO (L240)	1
43	NGKB7HS	94702-00040	BUJÍA	SPARKPLUG	CANDELA	2

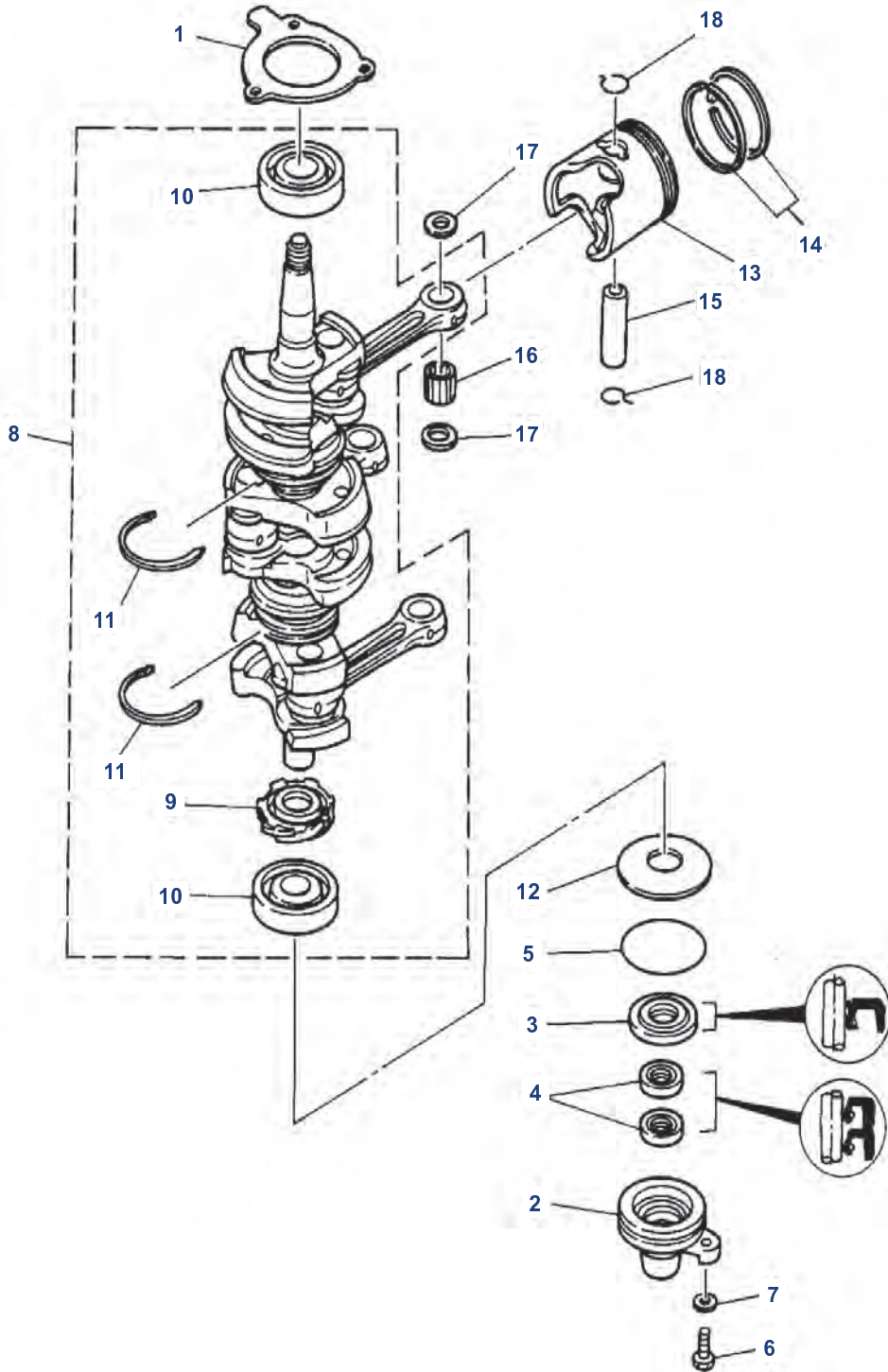


Nº	Ref.	R.O. OEM	Descripción	Description	Descrizione	Cantidad Quantity Quantità
1		6F6-11400-01	CIGÜEÑAL COMPLETO	CRANKSHAFT COMPLETE	ALBERO MOTORE COMPLETO	1
2		6F5-11412-11	PARTE 1 CIGÜEÑAL	CRANK 1	PARTE 1 ALBERO MOTORE	1
3		6F5-11422-11	PARTE 2 CIGÜEÑAL	CRANK 2	PARTE 2 ALBERO MOTORE	1
4		6F5-11432-11	PARTE 3 CIGÜEÑAL	CRANK 3	PARTE 3 ALBERO MOTORE	1
5		6F5-11442-11	PARTE 4 CIGÜEÑAL	CRANK 4	PARTE 4 ALBERO MOTORE	1
6	REC93306-307U0	93306-307U0	COJINETE	BEARING	CUSCINETTO	1
7	REC93332-000UE	93332-000UE	COJINETE	BEARING	CUSCINETTO	1
8	REC93306-306U1	93306-306U1	COJINETE	BEARING	CUSCINETTO	1
9	REC6F5-11515-00	6F5-11515-00	SELLO LABERINTO 1	LABERINTH SEAL 1	GUARNIZIONE SIGILLATA 1	1
10	REC93440-68M03	93440-68M03	CIERRE	CERCLIP	CLIP CHIUSURA	1
11	REC6F5-11651-00	6F5-11651-00	BIELA	CRANK	BIELLA	2
12	REC6F5-11681-00	6F5-11681-00	PASADOR MANIVELA 1	PISTON PIN	SPINOTTO LEVA 1	2
13	REC90209-27M07	90209-27M07	ARANDELA DE SEPARACIÓN	WASHER	RONDELLA DISTANZIALE	14
14	REC93310-727V7	93310-727V7	COJINETE DE RODILLOS	BEARING	GABBIA A RULLI	2
15	REC6F6-11631-00K	6F6-11631-00-95	PISTÓN (NORMA)	PISTON	PISTONE (STD)	2
		6F6-11635-00	PISTÓN (0.25mm O/S)	PISTON	PISTONE (0.25mm O/S)	2
	REC6F6-11636-00K	6F6-11636-00	PISTÓN (0.50mm O/S)	PISTON	PISTONE (0.50mm O/S)	2
16	REC6F5-11610-00	6F5-11610-00	JUEGO DE AROS (NORMA)	RING SET	SET FASCE (STD)	2
	REC6F5-11610-10	6F5-11610-10	JUEGO DE AROS (0.25mm O/S)	RING SET	SET FASCE (0.25mm O/S)	2
	REC6F5-11610-20	6F5-11610-20	JUEGO DE AROS (0.50mm O/S)	RING SET	SET FASCE (0.50mm O/S)	2
17	REC6F5-11633-00	6F5-11633-00	PASADOR, PISTÓN	PISTON PIN	SPINOTTO, PISTONE	2
18	REC663-11634-00	663-11634-00	PRESILLA, BULÓN DE PISTÓN	CLIP PISTON PIN	CLIP SPINOTTO PISTONE	4
19	REC93603-21111	93603-21111	PASADOR DE CLAVIJA	PIN ROLLER BEARING	PERNO PASSANTE	56
20	REC90201-20417	90201-20417	ARANDELA PLANA	FLAT WASHER	RONDELLA PIANA	4

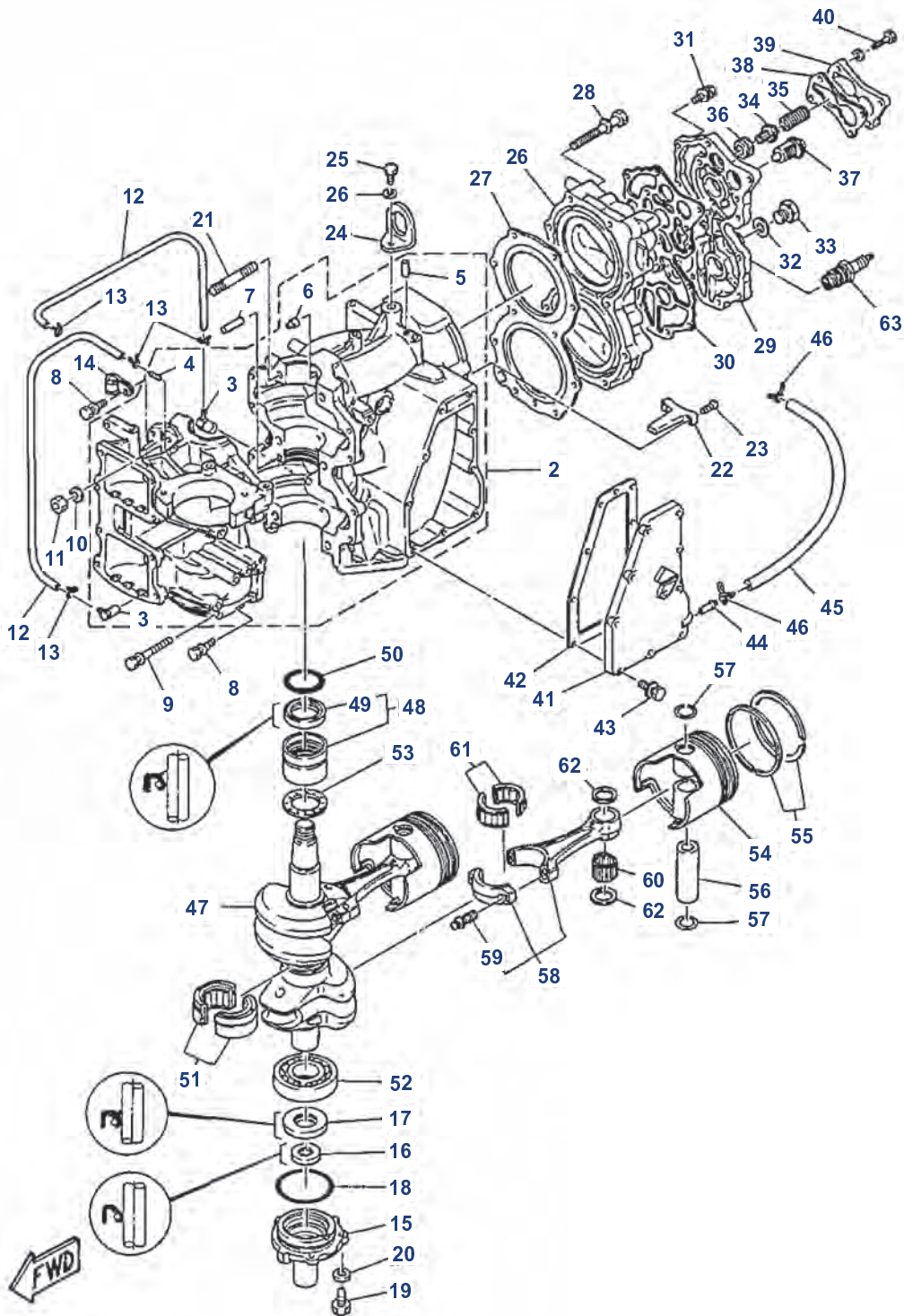


Ref.	R.O.
REC63D-W0001-00	
<p>Kit juntas de motor Power head gasket kit Kit guarnizione motore</p>	

Nº	Ref.	R.O. OEM	Descripción	Description	Descrizione	Cantidad Quantity Quantità
3	REC650-11370-00	650-11370-01	VÁLVULA	CHECK VALVE ASSY	VALVOLA	2
4		624-14485-00	PIPA	PIPE, JOINT	GIUNTO PER TUBO	2
5		6H4-11372-01	RACORD	NIPPLE HOSE	RACCORDO	1
6		624-14485-00	PIPA	PIPE JOINT	GIUNTO PER TUBO	1
7	REC688-11370-00	688-11370-01	VÁLVULA	CHECK VALVE ASSY	VALVOLA	2
8		650-24378-00	PIPA	PIPE JOINT	GIUNTO PER TUBO	1
9		90119-08019	TORNILLO	BOLT WITH WASHER	VITE	8
10		90119-06M13	TORNILLO	BOLT WITH WASHER	VITE	6
11	PAF15-00000006	93606-12019	PIN DOWEL	LABERINTH SEAL 1	SPINOTTO CENTRAGGIO	2
12		90445-07M46	TUBO	HOSE (L360)	TUBO	1
13		90445-07M27	TUBO	HOSE (L310)	TUBO	1
14		90445-07M24	TUBO	HOSE (L240)	TUBO	1
15		90467-06016	CLIP	CLIP	CLIP	6
16		90445-07MA3	TUBO	HOSE (L200)	TUBO	1
17		90467-06016	CLIP	CLIP	CLIP	2
18		6H4-11119-01	PUENTE	HANGER, ENGINE	GANCIO	1
19		90101-06021	TORNILLO	BOLT	VITE	2
20	REC688-11325-00	688-11325-00	ÁNODO	ANODE	ANODO	2
21		98780-04016	TORNILLO	SCREW, FLAT HEAD	VITE	2
22		63D-11111-00-1S	CULATA	HEAD CYLINDER	TESTATA	1
23	REC63D-11181-A1	63D-11181-A2	JUNTA CULATA	GASKET, CYLINDER HEAD	GUARNIZIONE TESTATA	1
24		90340-14M00	TAPÓN	PLUG, STRAIGHT SCREW	TAPPO	1
25	REC90430-14115	90430-14115	JUNTA	GASKET	GUARNIZIONE	1
26		63D-11191-00-1S	TAPA CULATÍN	COVER, CYLINDER HEAD	COPERCHIO TESTATA	1
27	REC63D-11193-A0	63D-11193-A0	JUNTA	GASKET, HEAD COVER	GUARNIZIONE	1
28		90119-08015	TORNILLO	BOLT WITH WASHER	VITE	14
29		90119-06MA3	TORNILLO	BOLT, WITH WASHER	VITE	4
30	REC6E5-12411-30	6E5-12411-30	TERMOSTATO	THERMOSTAT	TERMOSTATO	1
31		6H4-12413-00-1S	TAPA TERMOSTATO	COVER, THERMOSTAT	COPERCHIO TERMOSTATO	1
32	REC61A-12414-A0	6J8-12414-A0	JUNTA TAPA	GASKET, COVER	GUARNIZIONE COPERCHIO	1
33		90119-06MA3	TORNILLO	BOLT, WITH WASHER	VITE	2
34		6H4-41113-00-1S	TAPA	OUTER COVER, EXHAUST	COPERCHIO	1
35		6H4-41111-00-1S	PLACA	INNER COVER, EXHAUST	PIASTRA	1
36	REC6H4-41112-A0	6H4-41112-A0	JUNTA	GASKET, EXHAUST INNER COVER	GUARNIZIONE	1
37	REC6H4-41114-A0	6H4-41114-A0	JUNTA	GASKET, EXHAUST OUTER COVER	GUARNIZIONE	1
38		90445-09M37	TUBO	HOSE (L240)	TUBO	1
39		90467-08004	CLIP	CLIP	CLIP	1
40		90119-06MA5	TORNILLO	BOLT, WITH WASHER	VITE	13
41	NGKBR8HS-10	94702-00247	BUJÍA	PLUG, SPARK (NGK BR8HS-10)	CANDELA	3
	NGKBR7HS-10	94702-00271	BUJÍA	PLUG, SPARK (NGK BR7HS-10) (EO, MHO ENGINES)	CANDELA	3



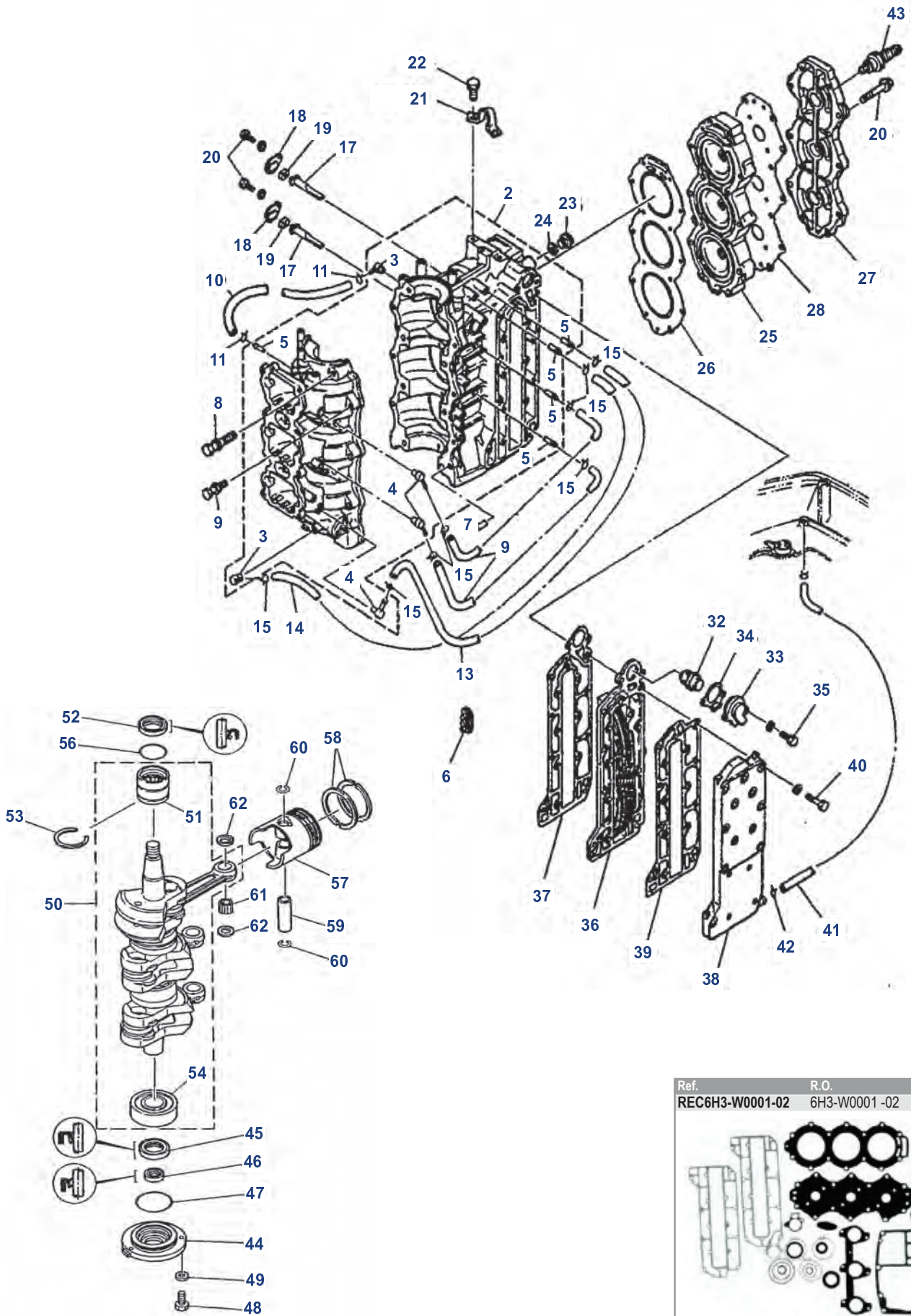
Nº	Ref.	R.O. OEM	Descripción	Description	Descrizione	Cantidad Quanti Quantità
1	REC6H4-15369-A1	6H4-15369-A1	JUNTA CUERPO	GASKET, OIL SEAL HOUSING	GUARNIZIONE CORPO	1
2		6H4-15396-03-5B	CUERPO	HOUSING, OIL SEAL	CORPO	1
3	REC93102-25M28	93102-25M28	RETÉN	OIL SEAL	PARAOLIO	1
4	REC93104-16M01	93104-16M01	RETÉN	OIL SEAL	PARAOLIO	2
5	REC93210-58M21	93210-58M21	ARO TÓRICO	O-RING	O-RING	1
6		97095-06020	TORNILLO	BOLT	VITE	1
7	PAGB/T5783-2000	92995-06600	ARANDELA	WASHER	RONDELLA	1
8		6H4-11400-14	CIGÜEÑAL	CRANKSHAFT ASSY	ALBERO MOTORE	1
9		6H4-11536-00	PIÑÓN	GEAR, DRIVE	INGRANAGGIO	1
10	REC93306-305U8	93306-305U8	RODAMINETO	BEARING	CUSCINETTO	2
11		93440-62057	CIERRE	CIRCLIP	CLIP CHIUSURA	2
12		90201-50306	ARANDELA	WASHER	RONDELLA	1
13	REC6H4-11631-01K	6H4-11631-01-95	PISTÓN	PISTON (STD)	PISTONE	3
	REC6H4-11635-01K	6H4-11635-01	PISTÓN	PISTON (0.25mm O/S)	PISTONE	3
	REC6H4-11636-01K	6H4-11636-01	PISTÓN	PISTON (0.50mm O/S)	PISTONE	3
14	REC63D-11603-00	63D-11603-00	SEGMENTOS	PISTON RING SET (STD)	SET FASCE	3
	REC63D-11604-00	63D-11604-00	SEGMENTOS	PISTON RING SET (0.25mm O/S)	SET FASCE	3
	REC63D-11605-00	63D-11605-00	SEGMENTOS	PISTON RING SET (0.50mm O/S)	SET FASCE	3
15	REC648-11633-00	648-11633-00	BULÓN	PIN, PISTON	SPINOTTO	3
16	REC93602-20M02	93602-20M02	AGUJA RODAMIENTO	PIN, DOWEL	SPINOTTO DI CENTRAGGIO	93
17		6H4-11641-00	ARANDELA	WASHER, PISTON PIN	RONDELLA	6
18	REC6H4-11634-01	6H4-11634-01	CLIP PISTON	CLIP, PISTON PIN	CLIP PISTON	6



Ref.	R.O.
REC697-W0001-02	697-W0001-02

Kit juntas de motor
Power head gasket kit
Kit guarnizione motore

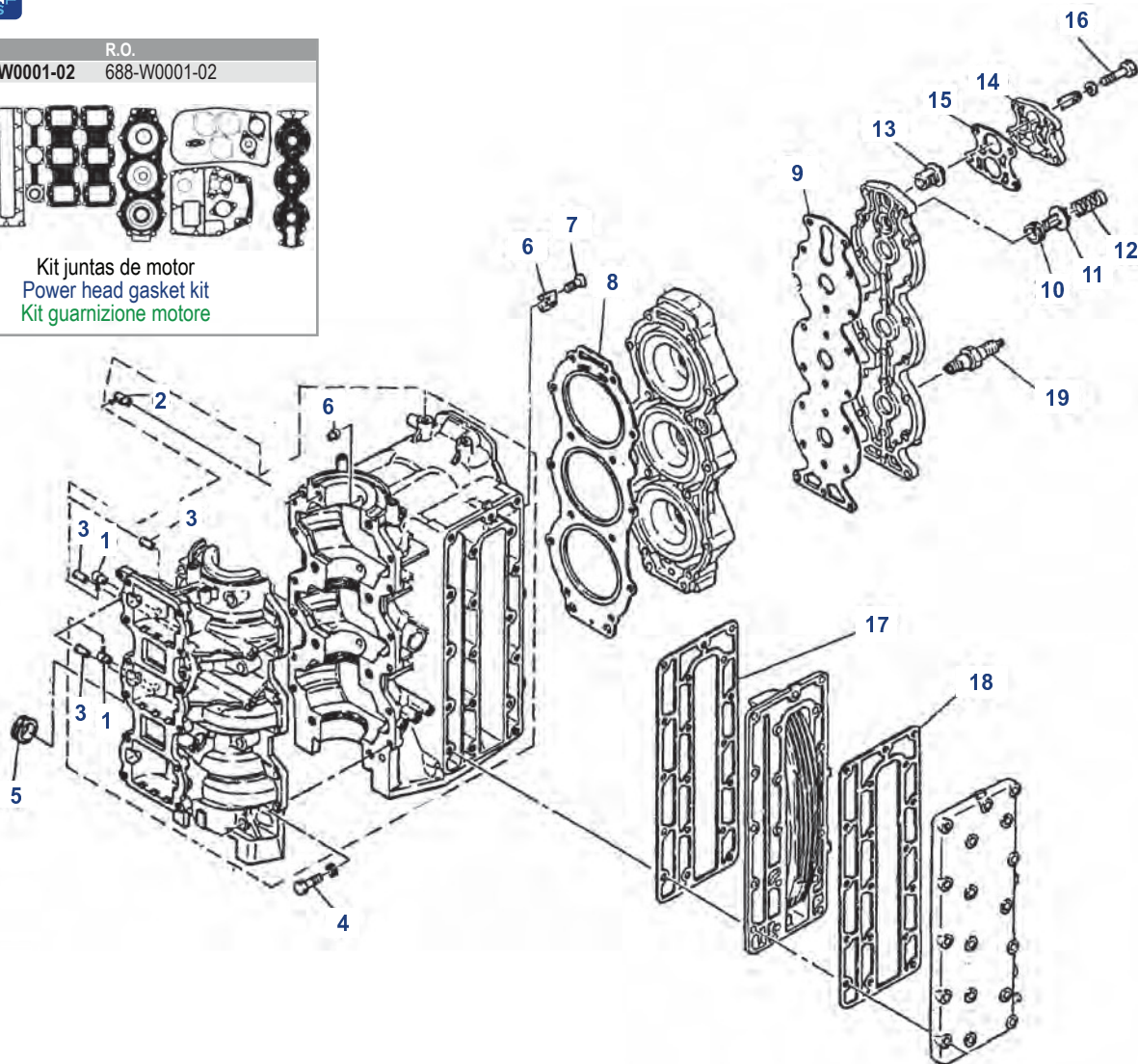
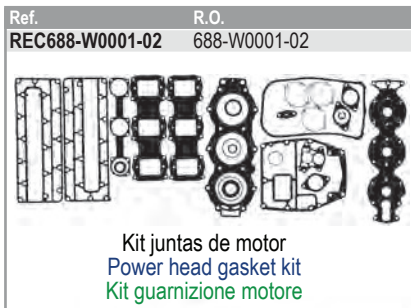
Nº	Ref.	R.O. OEM	Descripción	Description	Descrizione	Cantidad Qty Quantità
3	REC650-11370-00	650-11370-01	VÁLVULA DE CONTROL COMPL.	CHECK VALVE ASSY	VALVOLA DI CONTROLLO COMPL.	2
4		624-14485-00	PIPE JOINT	TUBO DE UNIÓN	GIUNTO PER TUBO	1
5		93604-08062	PASADOR DE CLAVIJA	PIN DOWEL	PERNO PASSANTE	1
6		663-11518-01	SEGURO BALERO	LOCK, BEARING	BLOCCO CUSCINETTO	2
7		93608-12063	PASADOR DE CLAVIJA	PIN DOWEL	PERNO PASSANTE	1
8		90119-06M12	TORNILLO CON ARANDELA	BOLT WITH WASHER	VITE CON RONDELLA	8
9		90119-10005	TORNILLO CON ARANDELA	BOLT WITH WASHER	VITE CON RONDELLA	4
10		90201-10008	ARANDELA PLANA	WASHER PLATE	RONDELLA PIANA	2
11		95313-10600	TUERCA	NUT	DADO	2
12		90445-07240	TUBO (L330)	HOSE (L330)	TUBO (L330)	2
13		90467-06016	PRESILLA	CLIP	CLIP	4
14		90461-04011	GRAPA	CLAMP	MORSETTO	1
15		663-15359-01-94	CAJA DE SELLLO DE ACEITE	HOUSING OIL SEAL	PARAOILIO	1
16	REC93104-18049	93104-18049	SELLO ACEITE	OIL SEAL	PARAOILIO	1
17	REC93102-28135	93102-28135	RETÉN ACEITE	OIL SEAL	GUARNIZIONE OLIO	1
18	REC93210-62269	93210-62269	JUNTA TÓRICA	O-RING	O-RING	1
19		97095-06016	PERNO	BOLT	PERNO	3
20		92995-06600	ARANDELA	WASHER	RONDELLA	3
21		90116-10177	ESPÁRRAGO	BOLT, STUD	BULLONE	2
22		663-11325-00	ÁNODO	ANODE	ANODO	1
23		98780-04015	TORNILLO CABEZA PLANA	SCREW, FLAT HEAD	VITE TESTA PIANA	2
24		697-11119-00	SOPORTE DEL MOTOR	HANGER, ENGINE	SUPPORTO MOTORE	1
25		90119-08018	TORNILLO CON ARANDELA	BOLT, WITH WASHER	VITE CON RONDELLA	1
26		663-11111-02-1S	CULATA CILINDRO	HEAD CYLINDER	TESTATA CILINDRO	1
27	REC697-11181-A0	697-11181-A2	JUNTA DE CULATA	GASKET, CYLINDER HEAD	GUARNIZIONE TESTATA	1
28		90119-08MA8	TORNILLO CON ARANDELA	BOLT, WITH WASHER	VITE CON RONDELLA	10
29		663-11191-00-1S	TAPA CULATA DE CILINDRO	COVER CYLINDER HEAD	COPERCHIO TESTATA CILINDRO	1
30	REC663-11193-00	663-11193-A0	JUNTA	GASKET HEAD COVER	GUARNIZIONE	1
31		90119-06MA2	TORNILLO CON ARANDELA	BOLT, WITH WASHER	VITE CON RONDELLA	12
32	REC90430-14115	90430-14115	JUNTA	GASKET	GUARNIZIONE	1
33		90340-14036	TORNILLO DE DRENAJE	PLUG STRAGIHT SCREW	VITE DRENAGGIO	1
34		663-12416-00	VÁLVULA DE CONTROL DE PRESIÓN	VALVE, PRESSURE CONTROL	VALVOLA DI CONTROLLO PRESSIONE	1
35		90501-14234	RESORTE DE COMPRESIÓN	SPRING, COMPRESSION	MOLLA DI COMPRESIONE	1
36		90480-18065	TAPÓN	GROMMET	TAPPO	1
37	REC6F5-12411-03	6F5-12411-02	TERMOSTATO	THERMOSTAT (55E ENGINES)	TERMOSTATO	1
38		663-12416-00-1S	CUBIERTA DE TERMOSTATO	COVER, THERMOSTAT	COPERCHIO TERMOSTATO	1
39	REC663-12414-00	663-12414-A0	JUNTA	GASKET, COVER	GUARNIZIONE	1
40		90119-06MA4	TORNILLO CON ARANDELA	BOLT WITH WASHER	VITE CON RONDELLA	4
41		663-41113-00-1S	CUBIERTA EXTERIOR DE ESCAPE	OUTTER COVER EXHAUST	COPERCHIO ESTERNO DI SCARICO	1
42	REC663-41114-00	663-41114-A0	JUNTA	GASKET, EXHAUST OUTTER COVER	GUARNIZIONE COPERCHIO SCARICO	1
43		90119-06MA2	TORNILLO CON ARANDELA	BOLT, WITH WASHER	VITE CON RONDELLA	9
44		650-24378-00	TUBO DE UNIÓN	PIPE, JOINT	GIUNTO PER TUBO	1
45		663-24312-01	TUBO	PIPE	TUBO	1
46		90467-08004	PRESILLA	CLIP	CLIP	2
47	REC663-11411-00	663-11411-01	CIGÜEÑAL	CRANKSHAFT	ALBERO MOTORE	1
48	REC93311-632U1	93311-632U1	COJINETE DE RODILLOS	BEARING	CUSCINETTO A RULLI	1
49	REC93102-32M07	93102-32M07	RETÉN DE ACEITE	OIL SEAL	PARAOILIO	1
50	REC93210-42159	93210-42159	JUNTA TÓRICA	O-RING	O-RING	1
51	REC93311-832U4	93311-832U4	COJINETE DE RODILLOS	BEARING	CUSCINETTO A RULLI	1
52		93306-206U4	COJINETE	BEARING	CUSCINETTO	1
53	REC663-11561-00	663-11561-00	ARANDELA DE MANIVELA	SHIM, CRANK	SPESSORE	1
54	REC688-11631-03K	688-11631-03-94	PISTÓN (NORMA)	PISTON (STD)	PISTONE (STD)	2
	REC688-11635-03K	688-11635-03	PISTÓN (0.25mm O/S)	PISTON (0.25mm O/S)	PISTONE (0.25mm O/S)	2
	REC688-11636-03K	688-11636-03	PISTÓN (0.50mm O/S)	PISTON (0.50mm O/S)	PISTONE (0.50mm O/S)	2
55	REC688-11603-A0	688-11603-A0	JUEGO DE ANILLOS (NORMA)	PISTON RING SET (STD)	SET FASCE PISTONI (STD)	2
		688-11604-A0	PISTÓN (0.25mm O/S)	PISTON (0.25mm O/S)	PISTONE (0.25mm O/S)	2
	REC688-11605-A0	688-11605-A0	PISTÓN (0.50mm O/S)	PISTON (0.50mm O/S)	PISTONE (0.50mm O/S)	2
56	REC663-11633-00	663-11633-00	PASADOR PISTÓN	PIN PISTON	SPINOTTO PISTONE	2
57	REC688-11634-00	688-11634-00	PRESILLA BULÓN DE PISTÓN	CLIP	FERMO SPINOTTO	4
58	REC688-11650-03	688-11650-03	BIELA COMPLETA	CONNECTING ROD ASSY	BIELLA COMPLETA	2
59	REC90109-08022	90109-08022	PERNO	BOLT	PERNO	2
60	REC93603-21111	93603-21111	PASADOR DE CLAVIJA	PIN DOWEL	PERNO PASSANTE	56
61	REC93310-730V8	93310-730V8	COJINETE DE RODILLOS	BEARING	CUSCINETTO A RULLI	2
62	REC90201-20417	90201-20417	ARANDELA PLANA	WASHER	RONDELLA PIANA	4
63	NGKB8HS-10	94702-00160	BUJÍA	PLUG, SPARK (55E ENGINES)	CANDELA	2
	NGKB7HS	94702-00040	BUJÍA	PLUG, SPARK (E48C ENGINES)	CANDELA	2
	NGKB8HS	94702-00041	BUJÍA	PLUG, SPARK (E55C ENGINES)	CANDELA	2
	REC697-W0001-02	697-W0001-02	KIT JUEGO JUNTAS MOTOR	POWER HEAD GASKET	KIT GUARNIZIONI MOTORE	1



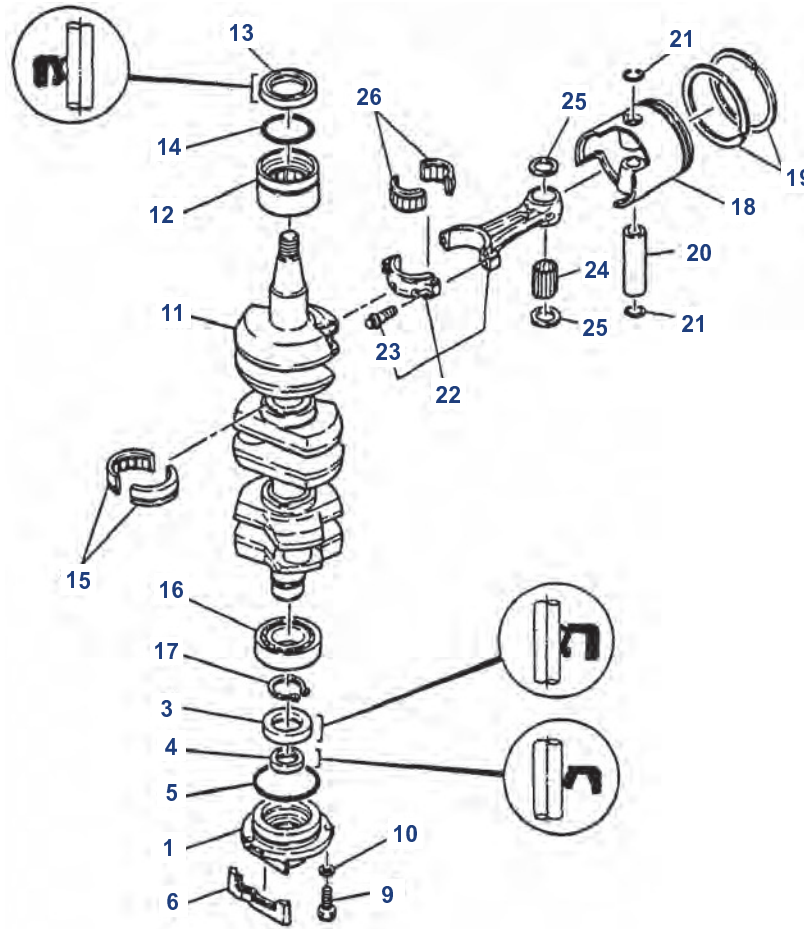
Ref.	R.O.
REC6H3-W0001-02	6H3-W0001-02

Kit juntas de motor
Power head gasket kit
Kit guarnizione motore

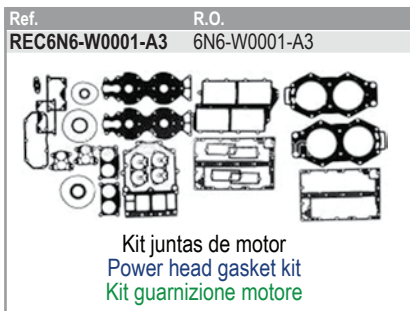
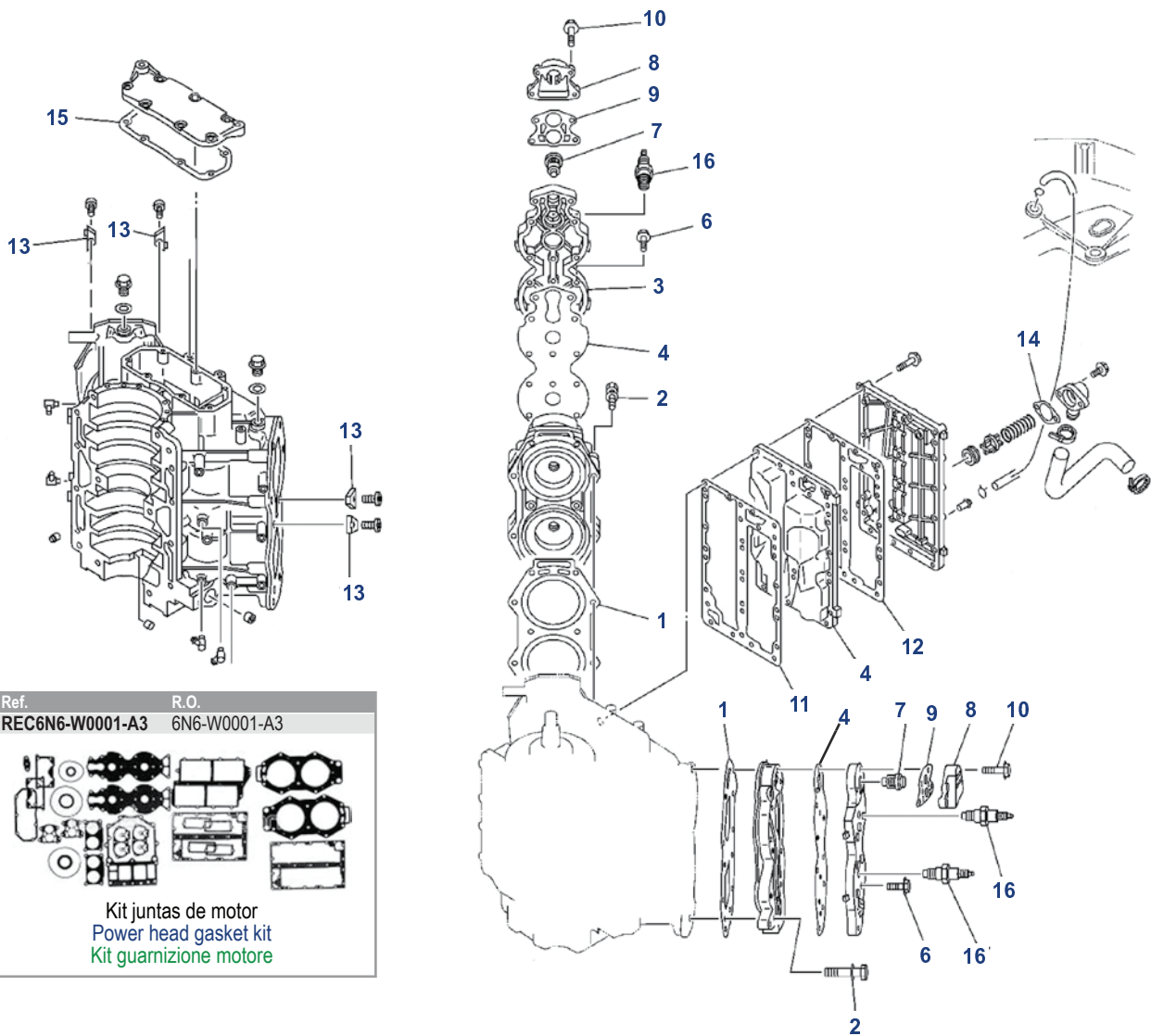
Nº	Ref.	R.O. OEM	Descripción	Description	Descrizione	Cantidad Qty Quantità
3	REC688-11370-00	688-11370-01	VÁLVULA	CHECK VALVE ASSY	VALVOLA	2
4	REC650-11370-00	650-11370-01	VÁLVULA	CHECK VALVE ASSY	VALVOLA	3
5		624-14485-00	TUBO	PIPE JOINT	GIUNTO PER TUBO	5
6		650-24378-00	TUBO	PIPE JOINT	GIUNTO PER TUBO	4
7		93608-12063	PIN	DOWEL	SPINOTTO CENTRAGGIO	2
8		90119-10005	TORNILLO	BOLT WITH WASHER	VITE	8
9		90119-08M64	TORNILLO	BOLT WITH WASHER	VITE	6
10		90445-07M44	TUBO	HOSE (L250)	TUBO	1
11		90467-06016	CLIP	NUT	CLIP	2
12		90445-07M02	TUBO	HOSE (L167)	TUBO	2
13		90445-07M45	TUBO	HOSE (L340)	TUBO	1
14		90445-07M82	TUBO	HOSE (L440)	TUBO	1
15		90467-06016	CLIP	HOUSING OIL SEAL	CLIP	8
16	PAF25-05000016	90464-07M05	ABRAZADERA	CLAMP	FASCETTA	1
17		6H3-11325-01	ÁNODO	ANODE	ANODO	2
18		6H3-11327-00-1S	TAPA	COVER, ANODE	COPERCHIO ANODO	2
19		6H3-11328-00	JUNTA	GROMMET ANODE	GUARNIZIONE ANODO	2
20		90119-06023	TORNILLO	BOLT WITH WASHER	VITE	2
21		688-11119-01	TIRANTE	HANGER ENGINE	TIRANTE	1
22		90101-08022	TORNILLO	BOLT	VITE	2
23	PAF15-04000002	90340-14M00	TAPÓN	PLUG STRAIGHT SCREW	TAPPO	1
24	REC90430-14115	90430-14115	JUNTA	GASKET	GUARNIZIONE	1
25		6H3-11111-01-1S	CULATA	HEAD CYLINDER 1	TESTATA	1
26	REC6H3-11181-A0	6H3-11181-A2	JUNTA CULATA	GASKET, HEAD	GUARNIZIONE TESTATA	1
27		6H3-11191-00-1S	CULATÍN	COVER, CYLINDER	COPERCHIO CILINDRO	1
28	REC6H3-11193-A1	6H3-11193-A1	JUNTA CULATÍN	GASKET, COVER	GUARNIZIONE COPERCHIO	1
29		90119-08MA5	TORNILLO	BOLT WITH WASHER	VITE	13
30		90116-08M69	TORNILLO	BOLT STUD	VITE	1
31		90179-08M34	TUERCA	NUT	DADO	1
32	REC6H3-12411-10	6H3-12411-10	TERMOSTATO	THERMOSTAT	TERMOSTATO	1
33		6H3-12413-00-1S	TAPA	COVER, THERMOSTAT	COPERCHIO TERMOSTATO	1
34	REC6H3-12414-A1	6H3-12414-A1	JUNTA	GASKET COVER	GUARNIZIONE	1
35		90119-065MA3	TORNILLO	BOLT WITH WASHER	VITE	2
36		6H3-41111-01-1S	PLACA	INNER COVER, EXHAUST	PIASTRA	1
37	REC6H3-41112-A0	6H3-41112-A0	JUNTA	GASKET, EXHAUST COVER	GUARNIZIONE COPERCHIO	1
38		6H3-41113-02-1S	TAPA	OUTTER COVER, EXHAUST	COPERCHIO SCARICO	1
39	REC6H3-41114-A0	6H3-41114-A0	JUNTA	GASKET, OUTTER COVER	GUARNIZIONE	1
40		90119-06MA5	TORNILLO	BOLT WITH WASHER	VITE	16
41		663-24312-01	TUBO	PIPE 2	TUBO	1
42		90467-08004	CLIP	HOUSING OIL SEAL	CLIP	1
43	NGKBR8HS-10	94702-00247	BUJÍA	PLUG, SPARK	CANDELA	3
44		6H3-15359-00-94	CUERPO RETÉN	HOUSING OIL SEAL	PARAOLIO	1
45	REC93102-30M23	93102-30M23	RETÉN	OIL SEAL	PARAOLIO	1
46	REC93106-18M01	93106-18M01	RETÉN	OIL SEAL	PARAOLIO	1
47	REC93210-65M50	93210-65M50	ARO TÓRICO	O-RING	O-RING	1
48		97095-06020	TORNILLO	BOLT	VITE	3
49	PAGB/T97.1-8	92995-06600	ARANDELA	WASHER	RONDELLA	3
50		6H3-11400-10-11	CIGÜEÑAL	CRANKSHAFT ASSY	ALBERO MOTORE	1
		6H3-11400-03	CIGÜEÑAL	CRANKSHAFT ASSY (60FET ENGINE)	ALBERO MOTORE	1
51	REC93311-636U6	93311-636U6	RODAMIENTO	BEARING	CUSCINETTO	1
52	REC93102-36M24	93102-36M24	RETÉN	OIL SEAL	PARAOLIO	1
53		93440-49M04	CIERRE	CIRCLIP	CLIP CHIUSURA	1
54	REC93306-306V1	93306-306V1	RODAMIENTO	BEARING	CUSCINETTO	1
56	REC93210-46M16	93210-46M16	ARO TÓRICO	O-RING	O-RING	1
57	REC6H3-11631-01K	6H3-11631-01-96	PISTÓN (STD)	PISTON	PISTONE (STD)	3
	REC6H3-11635-01K	6H3-11635-01	PISTÓN (0.25mm O/S)	PISTON (0.25mm O/S)	PISTONE (0.25mm O/S)	3
	REC6H3-11636-01K	6H3-11636-01	PISTÓN (0.50mm O/S)	PISTON (0.50mm O/S)	PISTONE (0.50mm O/S)	3
58	REC6K5-11601-02	6K5-11601-02	SEGMENTOS	PISTON RING SET (STD)	SET FASCE	3
	REC6K5-11601-12	6K5-11601-12	SEGMENTOS	RING SET (0.25mm O/S)	SET FASCE	3
	REC6K5-11601-22	6K5-11601-22	SEGMENTOS	RING SET (0.50mm O/S)	SET FASCE	3
59	REC6H3-11633-00	6H3-11633-00	BULÓN	PIN, PISTON	SPINOTTO	3
60	REC688-11634-00	688-11634-10	CLIP	PISTON PIN	CLIP	6
61	REC93603-18M09	93603-18M09	PIN	DOWEL	SPINOTTO	84
62	REC90201-20417	90201-20417	ARANDELA	WASHER, PLATE	RONDELLA	6



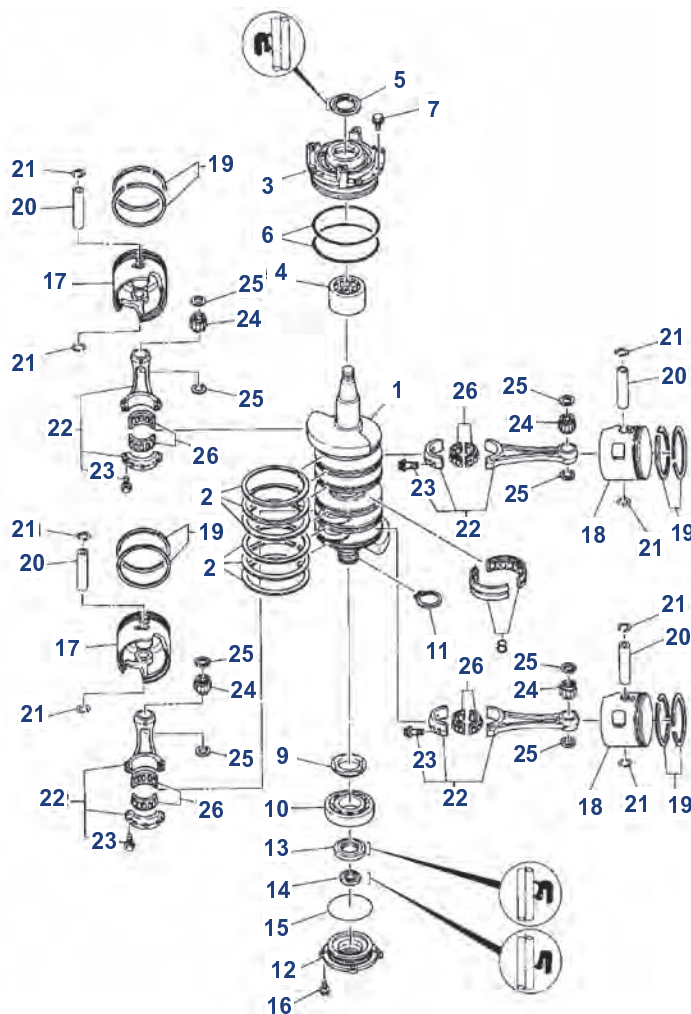
Nº	Ref.	R.O. OEM	Descripción	Description	Descrizione	Cantidad Quantity Quantità
1	REC688-11370-00	688-11370-01	VÁLVULA	CHECK VALVE ASSY	VALVOLA	2
2	REC650-11370-00	650-11370-01	VÁLVULA	CHECK VALVE ASSY	VALVOLA	1
3		624-14485-00	TUBO	PIPE JOINT	TUBO	4
5		93608-12063	PIN	DOWEL	SPINOTTO CENTRAGGIO	2
5		90480-24M04	JUNTA GOMA	GROMMET	GUARNIZIONE GOMMINO	1
6	CM688-11325-00	688-11325-00	ÁNODO	ANODE	ANODO	2
7		98780-04015	TORNILLO	SCREW, FLAT HEAD	VITE	2
8	REC688-11181-A1	688-11181-A1	JUNTA CULATA	GASKET, CYLINDER HEAD	GUARNIZIONE TESTATA	1
9	REC688-11193-A1	688-11193-A1	JUNTA CULATA	GASKET, HEAD COVER	GUARNIZIONE COPERCHIO TESTATA	1
10		90480-20M05	JUNTA GOMA	GROMMET	GUARNIZIONE GOMMA	1
11		688-12416-00	VÁLVULA	VALVE, PRESSURE CONTROL	VALVOLA	1
12		90501-16M11	MUELLE	SPRING, COMPRESSION	MOLLA	1
13	REC688-12411-10	688-12411-10	TERMOSTATO	THERMOSTAT	TERMOSTATO	1
14		688-12413-00-1S	TAPA	COVER, THERMOSTAT	COPERCHIO	1
15	REC688-12414-A1	688-12414-A1	JUNTA TAPA	GASKET, COVER	GUARNIZIONE COPERCHIO	1
16		90119-06MA5	TORNILLO	BOLT, WITH WASHER	VITE	4
17	REC688-41112-A0	688-41112-A0	JUNTA	GASKET, EXHAUST INNER COVER	GUARNIZIONE	1
18	REC688-41114-A0	688-41114-A0	JUNTA	GASKET, EXHAUST OUTER COVER	GUARNIZIONE	1
19	NGKB8HS-10	NGK-B8HS10-PK10	BUJÍA	PLUG, SPARK (NGK B8HS-10)	CANDELA	3



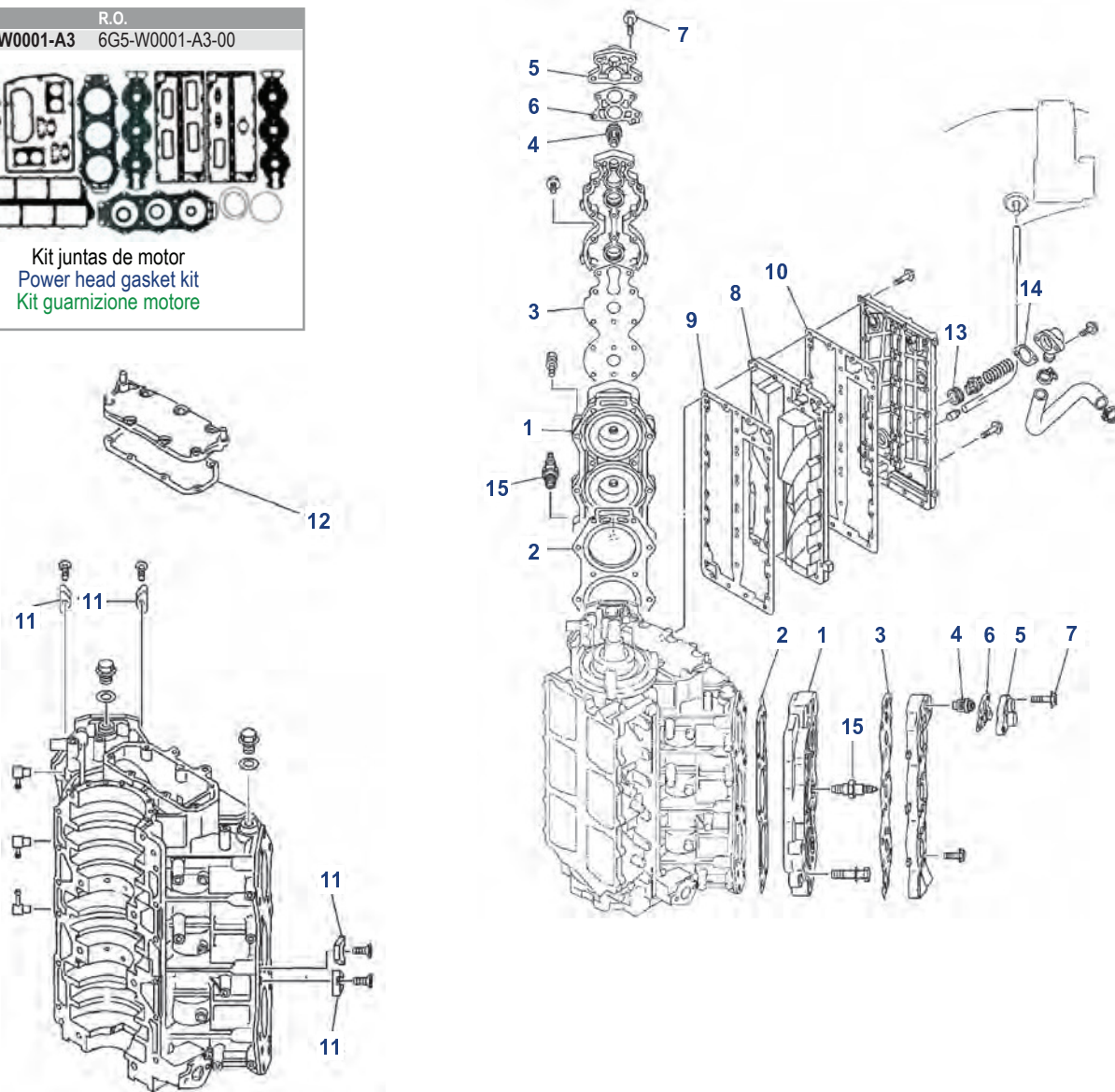
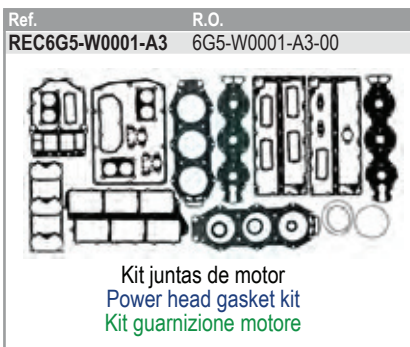
Nº	Ref.	R.O. OEM	Descripción	Description	Descrizione	Cantidad Quanty Quantità
1		6H1-15359-01-94	CUERPO RETÉN	HOUSING, OIL SEAL	ALLOGGIAMENTO PARAOLIO	1
2	REC688-11370-00	688-11370-01	VÁLVULA	CHECK VALVE ASSY	VALVOLA	1
3	REC93102-30M05	93102-30M05	RETÉN	OIL SEAL	PARAOLIO	1
4	REC93104-20M02	93104-20M02	RETÉN	OIL SEAL	PARAOLIO	1
5	REC93210-62269	93210-62269	ARO TÓRICO	O - RING	O-RING	1
11	REC688-11411-00	688-11411-01	CIGÜEÑAL	CRANKSHAFT	ALBERO MOTORE	1
12	REC93310-636U4	93310-636U4	RODAMIENTO	BEARING	CUSCINETTO	1
13	REC93102-36M02	93102-36M02	RETÉN	OIL SEAL	PARAOLIO	1
14	REC93210-46M16	93210-46M16	ARO TÓRICO	O -RING	O-RING	1
15	REC93310-835U8	93310-835U8	RODAMIENTO	BEARING	CUSCINETTO	2
16	REC93306-206U5	93306-206U5	RODAMIENTO	BEARING	CUSCINETTO	1
18	REC688-11631-03K	688-11631-03-94	PISTÓN (STD)	PISTON (STD)	PISTONE	3
19	REC688-11603-A0	688-11603-A0	SEGMENTOS	PISTON RING TEST (STD)	SET FASCE	3
		688-11604-A0	SEGMENTOS	RING SET (0.25mm O/S)	SET FASCE	3
	REC688-11605-A0	688-11605-A0	SEGMENTOS	RING SET (0.50mm O/S)	SET FASCE	3
20	REC663-11633-00	663-11633-00	BULÓN	PIN PISTON	SPINOTTO	3
21	REC688-11634-00	688-11634-00	CLIP	CLIP PISTON PIN	FERMO SPINOTTO	6
22	REC688-11650-03	688-11650-03	BIELA	CONNECTING ROD ASSY	BIELLA	3
23	REC90109-08022	90109-08022	TORNILLO	BOLT	VITE	2
24	REC93603-21111	93603-21111	AGUJAS RODAMIENTO	PIN, DOWEL	SPINOTTO DI CENTRAGGIO	84
25	REC90201-20417	90201-20417	ARANDELA	WASHER, PLATE	RONDELLA	6
26	REC93310-730V8	93310-730V8	RODAMIENTO	BEARING	CUSCINETTO	3



Nº	Ref.	R.O. OEM	Descripción	Description	Descrizione	Cantidad Qty Quantità
1	REC6E5-11181-A0	6E5-11181-A2	JUNTA CULATA	GASKET, CYLINDER HEAD	GUARNIZIONE TESTATA	2
2		90119-08MA8	TORNILLO	BOLT, WITH WASHER	VITE	20
3		6E5-11191-01-1S	CULATÍN	COVER, CYLINDR HEAD	COPERCHIO TESTA CILINDRO	2
4	REC6E5-11193-A0	6E5-11193-A0	JUNTA CULATÍN	GASKET, HEAD COVER	GUARN. COPERCHIO TESTA	2
6		90119-06MA4	TORNILLO	BOLT, WITH WASHER	VITE	24
7	REC6E5-12411-30	6E5-12411-30	TERMOSTATO	THERMOSTAT	TERMOSTATO	2
8		6G5-12413-00-1S	TAPA	COVER, THERMOSTAT	COPERCHIO TERMOSTATO	2
9	REC688-12414-00	688-12414-A1	JUNTA	GASKET COVER	GUARNIZIONE	2
10		90119-06MA6	TORNILLO	BOLT WITH WASHER	VITE	8
11	REC6E5-41112-A1	6E5-41112-A1	JUNTA	GASKET, EXHAUST INNER COVER	GUARNIZIONE	1
12	REC6E5-41112-A1	6E5-41112-A1	JUNTA	GASKET, EXAHUST INNER COVER	GUARNIZIONE	1
13	TEN01152	6E5-11325-00	ÁNODO	ANODE	ANODO	4
14	REC6G5-11382-A1	6G5-11382-A1	JUNTA	GASKET	GUARNIZIONE	1
15	REC6E5-11381-A1	6E5-11381-A2	JUNTA	GASKET	GUARNIZIONE	1
16	NGKBR8HS-10	94702-00247	BUJÍA	PLUG, SPARK (NGK BR8HS-10) (115C ENGINES)	CANDELA	4
	NGKBR9HS-10	94702-00309	BUJÍA	PLUG, SPARK (NGK BR9HS-10) (130B ENGINES)	CANDELA	4

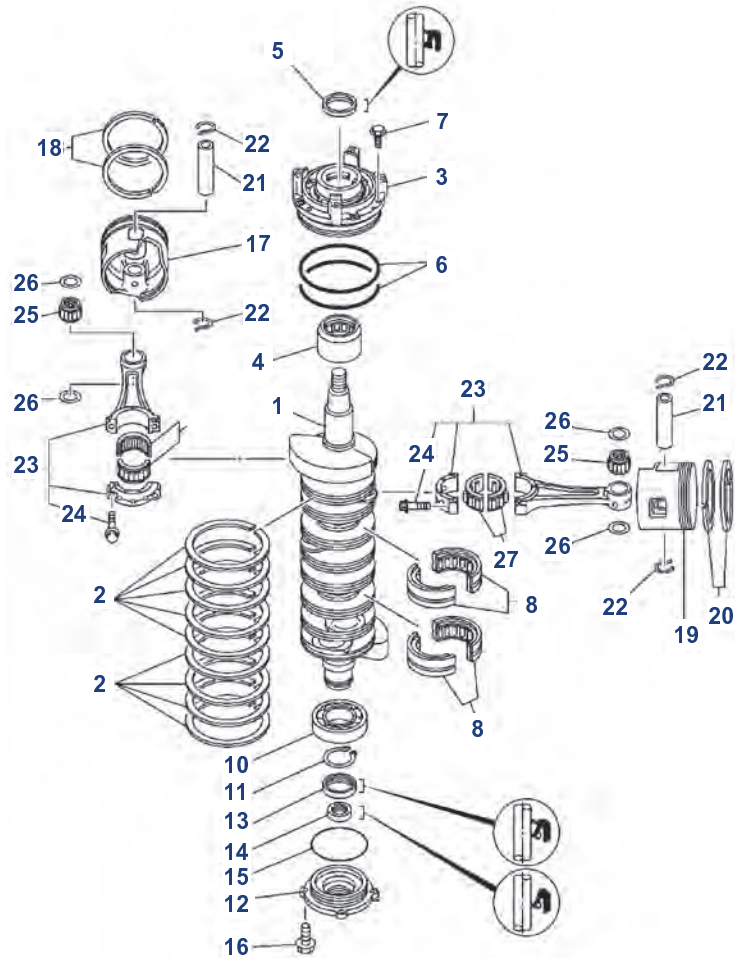


Nº	Ref.	R.O. OEM	Descripción	Description	Descrizione	Cantidad Quantity Quantità
1	REC6N7-11411-00	6N7-11411-00	CIGÜEÑAL	CRANKSHAFT	ALBERO MOTORE	1
2	REC6E5-11447-00	6E5-11447-00	ARO	SEAL, CRANK	O-RING	6
4	REC93311-940U3	93311-940U3	RODAMIENTO	BEARING	CUSCINETTO	1
5	REC93102-40M14	93102-40M14	RETÉN	OIL SEAL	PARAOILIO	1
6	REC93211-04001	93211-04001	ARO TÓRICO	O-RING	O-RING	2
8	REC93310-954U1	93310-954U1	RODAMIENTO	BEARING	CUSCINETTO	1
10	REC93306-208U0	93306-208U0	RODAMIENTO	BEARING	CUSCINETTO	1
13	REC93102-35M13	93102-35M13	RETÉN	OIL SEAL	PARAOILIO	1
14	REC93101-22M15	93101-22M15	RETÉN	OIL SEAL	PARAOILIO	1
15	REC93210-74M35	93210-74M35	ARO TÓRICO	O-RING	O-RING	1
17	REC6R5-11631-11K	6R5-11361-11-93	PISTÓN	PISTON (STD)	PISTONE (STD)	2
	REC6R5-11635-11	6R5-11635-11	PISTÓN	PISTON (0.25mm O/S)	PISTONE	2
		6R5-11636-11	PISTÓN	PISTON (0.50mm O/S)	PISTONE	2
18	REC6R5-11642-11K	6R5-11642-11-93	PISTÓN	PISTON 2(STD)	PISTONE	2
	REC6R5-11645-11	6R5-11645-11	PISTÓN	PISTON 2 (0.25mm O/S)	PISTONE	2
	REC6R5-11616-11	6R5-11646-11	PISTÓN	PISTON 2 (0.50mm O/S)	PISTONE	2
19	REC64D-11603-01	64D-11603-01	SEGMENTOS	PISTON RING SET (STD)	SET FASCE	4
	REC64D-11604-01	64D-11604-01	SEGMENTOS	PISTON RING SET (0.25mm O/S)	SET FASCE	4
	REC64D-11605-01	64D-11605-01	SEGMENTOS	PISTON RING SET (0.50mm O/S)	SET FASCE	4
20	REC6R5-11633-00	6R5-11633-10	BULÓN	PIN, PISTON	SPINOTTO	4
21	REC6R5-11634-00	6R5-11634-10	CLIP BULÓN	CLIP, PISTON PIN	FERMO SPINOTTO	8
22	REC6R5-11650-10	6R5-11650-10	BIELA	CONNECTING ROD ASSY	BIELLA	4
23	REC90109-08M71	90109-08M71	TORNILLO	BOLT	VITE	2
24	REC93310-323V6	93310-323V6	RODAMIENTO	BEARING	CUSCINETTO	4
25	REC90201-23M01	90201-23M01	ARANDELA	WASHER, PLATE	RONDELLA	8
26	REC93310-836V2	93310-836V2	RODAMINETO	BEARING	CUSCINETTO	4



Nº	Ref.	R.O. OEM	Descripción	Description	Descrizione	Cantidad Qty Quantità
1		6G5-11111-04-1S	CULATA	HEAD CYLINDER	TESTA	2
		64E-11111-00-1S	CULATA	HEAD CYLINDER	TESTA	2
2	REC6G5-11181-A2	6G5-11181-A3	JUNTA CULATA	GASKET, CYLINDER HEAD 2	GUARNIZIONE TESTA CILINDRO	2
3	REC6G5-11193-A0	6G5-11193-A0	JUNTA TAPA	GASKET, HEAD COVER	GUARNIZIONE COPERCHIO TESTA	2
4	REC6E5-12411-30	6E5-12411-30	TERMOSTATO	THERMOSTAT	TERMOSTATO	2
5		688-12413-00-1S	TAPA	COVER, THERMOSTAT	COPERCHIO	2
6	REC688-12414-00	688-12414-A1	JUNTA TAPA	GASKET COVER	GUARNIZIONE COPERCHIO	2
7		90119-06MA6	TORNILLO	BOLT, WITH WASHER	VITE	8
8		64D-41111-00-1S	TAPA	INNER COVER, EXHAUST	COPERCHIO	1
9	REC6G5-41112-A1	6G5-41112-A1	JUNTA	GASKET, EXHAUST INNER COVER	GUARNIZIONE	1
10	REC6G5-41114-A0	6G5-41114-A0	JUNTA	GASKET, EXHAUST OUTER COVER	GUARNIZIONE	1
11	CM6E5-11325-00	6E5-11325-00	ÁNODO	ANODE	ANODO	8
12	REC6E5-11381-A1	6E5-11381-A2	JUNTA	GASKET	GUARNIZIONE	1
13		90480-20M05	JUNTA GOMA	GROMMET	GUARNIZIONE GOMMA	1
14	REC6G5-11382-A1	6G5-11382-A1	JUNTA	GASKET	GUARNIZIONE	1
15	NGKBR8HS-10	94702-00271	BUJÍA	PLUG, SPARK (NGK BR8HS-10)	CANDELA	6

150AET - 150F/FETO - 150L/SL150 - 150TR/150TXRA - D150H
 175D/DETO - S175 -L175 - 175D/DETO - S175 -L175
 200AET - 200G/GETO - 200F/FETO - L200 - 200TLR
 225D/DET/DETO - L225A - L225B



Nº	Ref.	R.O. OEM	Descripción	Description	Descrizione	Cantidad Qty Quantità
1	REC6G5-11411-02	6G5-11411-02	CIGÜEÑAL	CRANKSHAFT	ALBERO MOTORE	1
2	REC6E5-11447-00	6E5-11447-00	ARILLO	SEAL, CRANK	O-RING	9
4	REC93311-940U3	93311-940U3	RODAMIENTO	BEARING	CUSCINETTO	1
5	REC93102-40M14	93102-40M14	RETÉN	OIL SEAL	PARAOLIO	1
6	REC93211-04001	93211-04001	ARO TÓRICO	O-RING	O-RING	2
8	REC93310-954U1	93310-954U1	RODAMIENTO	BEARING	CUSCINETTO	2
10	REC93306-208U0	93306-208U0	RODAMIENTO	BEARING	CUSCINETTO	1
13	REC93102-35M13	93102-35M13	RETÉN	OIL SEAL	PARAOLIO	1
14	REC93101-22M15	93101-22M15	RETÉN	OIL SEAL	PARAOLIO	1
15	REC93210-74M35	93210-74M35	ARO TÓRICO	O-RING	O-RING	1
17	REC64D-11631-00K	64D-11631-02-90	PISTON (STD)	PISTON (STD)	PISTONE	3
18	REC64D-11603-01	64D-11603-02	SEGMENTOS	RING SET (STD)	SET FASCE	3
	REC64D-11604-01	64D-11604-02	SEGMENTOS	RING SET (0.250/S)	SET FASCE	3
	REC64D-11605-01	64D-11605-02	SEGMENTOS	RING SET (0.500/S)	SET FASCE	3
19	REC64D-11642-00K	64D-11642-02-90	PISTON 2 (STD)	PISTON 2 (0.25mm O/S)	PISTONE	3
20	REC64D-11603-01	64D-11603-02	SEGMENTOS	PISTON RING SET (STD)	SET FASCE	3
	REC64D-11604-01	64D-11604-02	SEGMENTOS	PISTON RING SET (0.25mm O/S)	SET FASCE	3
	REC64D-11605-01	64D-11605-02	SEGMENTOS	PISTON RING SET (0.5mm O/S)	SET FASCE	3
21	REC6R5-11633-00	6R5-11633-10	BULÓN	PIN, PISTON	SPINOTTO	6
22	REC6R5-11634-00	6R5-11634-10	CLIP	CLIP, PISTON PIN	CLIP	12
23	REC6R5-11650-10	6R5-11650-10	BIELA	CONNECTING ROD ASSY	BIELLA	6
24	REC90109-08022	90109-08022	TORNILLO	BOLT	VITE	2
25	REC93310-32337	93310-32337	RODAMIENTO	BEARING	CUSCINETTO	6
26	REC90201-23M01	90201-23M01	ARANDELA	WASHER, PLATE	RONDELLA	12
27	REC93310-836V2	93310-836V2	RODAMIENTO	BEARING	CUSCINETTO	6

YAMAHA

RECAMBIO
MARINOS S.L.

PISTONES, AROS, BULONES Y RODAMIENTOS PISTONS, RINGS, PINS AND BEARINGS PISTONI, FASCE, BULLONI E CUSCINETTI

RECMAR® La gama de pistones RECMAR®, se suministrará siempre como kit, compuesto por pistón, aros, bulón y clips. Eventualmente las referencias antiguas sufren cambios de numeración. En caso de duda contacten con nuestros técnicos comerciales.
The RECMAR® piston assortment is always supplied as a set (piston, rings, pins and bearings). Old references may change.

In case of any doubt contact our technicians.

La gamma dei pistoni RECMAR®, si vende sempre come kit, composto da pistoni, fasce, bulloni e clips. Le referenze vecchie avranno un cambio di numerazione. In caso di dubbi contattare i nostri tecnici commerciali.



MOTORES 4 TIEMPOS 4 STROKES ENGINES MOTORI 4 TEMPI

Ref.	R.O.		
PAF2.6-04020001	69M-E1631-01-96	Pistón / Piston / Pistoni	STD
PAF2.6-04020005	69M-E1633-00	Bulón / Pin / Bullone	
REC69M-E1603-01	69M-E1603-01	Aros / Rings / Fasce	STD
	93450-13130	Clip	

MOTORES / ENGINES / MOTORI

F2.5AMH/MLH/MH/MSH (2004+)



Ref.	R.O.		
PAF4-04020200	68D-E1631-00-96	Pistón / Piston / Pistoni	STD
PAF4-04020005	68D-E1633-00	Bulón / Pin / Bullone	
REC68D-E1603-00	68D-E1603-00	Aros / Rings / Fasce	STD
PAF4-04020006	93450-14088	Clip	

MOTORES / ENGINES / MOTORI

F4A/MSHA/AMH/MLHB-D/MH (2002-09)



Ref.	R.O.		
PAF15-07020001	66M-11631-00-96	Pistón / Piston / Pistoni	STD
PAF15-07020006	634-11633-00	Bulón / Pin / Bullone	
REC66N-11603-00	66N-11603-00	Aros / Rings / Fasce	STD
PAF15-07020005	93450-15023	Clip	

MOTORES / ENGINES / MOTORI

F9.9C/CE/CMH/CWH/D (1998-08)
F13.5AMH/AEH/AEP (2000-07)
FT/F15A/PR/PLR/AEP/ELH/MH/AE/AM (2000-07)



Ref.	R.O.		
PAF20-05020001	6AH-11631-00	Pistón / Piston / Pistoni	STD
PAF20-05020003	137-11633-10	Bulón / Pin / Bullone	
PAF20-05020100	6AH-11603-00	Aros / Rings / Fasce	STD
PAF20-05020002	93450-17129	Clip	

MOTORES / ENGINES / MOTORI

F9.9 HMH, HE (2009+)
F13.5 B, BMH (2007-09)
F15 CMH, MH, ELH, CWH, CE (2007+)
F20 BMH, ELH, BE, MH (2007+)



Ref.	R.O.		
PAF25-05020100	65W-11631-00-96	Pistón / Piston / Pistoni	STD
PAF25-05020105	62Y-11633-00	Bulón / Pin / Bullone	
REC67C-11603-00	67C-11603-00	Aros / Rings / Fasce	STD
PAF25-05020106	93450-17129	Clip	

MOTORES / ENGINES / MOTORI

F20AES/AET/AE-S (2003-06)

F25ELH/AE/AW/A/AET/MHZ/MHA/AM/AEH/A-ES/T25ELRZ-T/FT25B (1998-09)

F30A/ERZ/MLH/AET/ELHB/AMH/TR/AWH/ETL (2001-09)

F40B/ELH/BE/ERZ/ERA/BMH/BWH (2000-09)



Ref.			
WI3207PS	Pistón / Piston / Pistoni	STD	
WI3207P2	Pistón / Piston / Pistoni	0.50	

MOTORES / ENGINES / MOTORI

F75 (2003-04)

F90 (2003-04)



Ref.			
WI3208PS	Pistón / Piston / Pistoni	STD	
WI3208P2	Pistón / Piston / Pistoni	0.50	

MOTORES / ENGINES / MOTORI

F75 (2005-08)

F80 (1999-03)

F90 (2005-08)

F100 (1999-03)



Ref.			
WI3205PS	Pistón / Piston / Pistoni	STD	
WI3205P1	Pistón / Piston / Pistoni	0.50	

MOTORES / ENGINES / MOTORI

F115 (2000-08)



Ref.			
WI3204PS	Pistón / Piston / Pistoni	STD	
WI3204P1	Pistón / Piston / Pistoni	0.50	

MOTORES / ENGINES / MOTORI

F150 (2004-08)



Ref.			
WI3206PS	Pistón / Piston / Pistoni	STD	
WI3206P1	Pistón / Piston / Pistoni	0.50	

MOTORES / ENGINES / MOTORI

F200 (2002-07)

F225 (2005-07)



MOTORES 2 TIEMPOS 2 STROKES ENGINES MOTORI 2 TEMPI



Ref.	R.O.		
REC6E0-11631-00-98K	6E0-11631-00-98	Kit Pistón/ Piston kit/ Kit Pistoni	STD
REC6G1-11633-00	6G1-11633-00	Bulón / Pin / Bullone	
REC6G1-11610-00	6G1-11610-00	Aros / Rings / Fasce	STD
REC93310-112V0	93310-112V0	Rodamientos / Bearing / cuscinetto	
REC93450-13022	93450-13022	Clip	

MOTORES / ENGINES / MOTORI

4AC (1985-02)
4AS (1987-96)
5C (1994-98)
5CS (1994-96)



Ref.	R.O.		
REC677-1161-00K	677-11631-00-97	Kit Pistón/ Piston kit/ Kit Pistoni	STD
REC677-11635-00K	677-11635-00	Kit Pistón/ Piston kit/ Kit Pistoni	0.25
REC677-11636-00K	677-11636-00	Kit Pistón/ Piston kit/ Kit Pistoni	0.50
REC6G1-11633-00	6G1-11633-00	Bulón / Pin / Bullone	
REC647-11610-00	647-11610-00	Aros / Rings / Fasce	STD
REC93602-14118	93602-14118	Rodamientos / Bearing / Cuscinetto	
REC93450-13022	93450-13022	Clip	

MOTORES / ENGINES / MOTORI

E8D (1997-99)
E8DMH (1998-03)



Ref.	R.O.		
REC6E7-11631-00K	6E7-11631-00	Kit Pistón/ Piston kit/ Kit Pistoni	STD
REC6E7-11635-00K	6E7-11635-00	Kit Pistón/ Piston kit/ Kit Pistoni	0.25
REC6E7-11636-00K	6E7-11636-00	Kit Pistón/ Piston kit/ Kit Pistoni	0.50
REC634-11633-00	634-11633-00	Bulón / Pin / Bullone	
REC682-11610-01	682-11610-00	Aros / Rings / Fasce	STD
REC682-11610-11	682-11610-11	Aros / Rings / Fasce	0.25
REC682-11610-21	682-11610-21	Aros / Rings / Fasce	0.50
REC93602-14104	93602-14104	Rodamientos / Bearing / Cuscinetto	
REC93450-15023	93450-15023	Clip	

MOTORES / ENGINES / MOTORI

9.9D/15D (1985-95)
9.9F/FMH/MSH (1995-14)
15F/FEM/MSH/FMH/MH (1995-14)



Ref.	R.O.		
REC6H3-11631-01K	6H3-11631-01-96	Kit Pistón/ Piston kit/ Kit Pistoni	STD
REC6H3-11635-01K	6H3-11635-01	Kit Pistón/ Piston kit/ Kit Pistoni	0.25
REC6H3-11636-01K	6H3-11636-01	Kit Pistón/ Piston kit/ Kit Pistoni	0.50
REC6H3-11633-00	6H3-11633-00	Bulón / Pin / Bullone	
REC6K5-11601-02	6K5-11601-02	Aros / Rings / Fasce	STD
REC6K5-11601-12	6K5-11601-12	Aros / Rings / Fasce	0.25
REC6K5-11601-22	6K5-11601-22	Aros / Rings / Fasce	0.50
REC93603-18M09	93603-18M09	Rodamientos / Bearing / Cuscinetto	

MOTORES / ENGINES / MOTORI

25B/BETO (1994-95)
50G/GEO/GETO (1993-07)
60F/FEO/FEDO/FETO/FEH/TR/TLR (1990-07)
70BEH/BEO/B/BEM/BETO/BEDO/TR (1990-13)



Ref.	R.O.		
REC61N-11631-00K	61N-11631-00-95	Kit Pistón/ Piston kit/ Kit Pistoni	STD
REC61N-11635-00K	61N-11635-00	Kit Pistón/ Piston kit/ Kit Pistoni	0.25
REC61N-11636-00K	61N-11636-00	Kit Pistón/ Piston kit/ Kit Pistoni	0.50
REC689-11633-00	689-11633-00	Bulón / Pin / Bullone	
REC61N-11603-00	61N-11603-00	Aros / Rings / Fasce	STD
REC61N-11604-00	61N-11604-00	Aros / Rings / Fasce	0.25
REC61N-11605-00	61N-11605-00	Aros / Rings / Fasce	0.50
REC93602-20M02	93602-20M02	Rodamientos / Bearing / Cuscinetto	
REC688-11634-00	688-11634-00	Clip	

MOTORES / ENGINES / MOTORI

25VE/VM (1996-01)
25B/BMH (2001-10)
30G/GE (1996-00)
E30HMH(2003)
E30HMH/HW (2003-12)



Ref.	R.O.		
REC6J8-11631-02K	6J8-11631-02-97	Kit Pistón/ Piston kit/ Kit Pistoni	STD

MOTORES / ENGINES / MOTORI

25J/JEO/JETO/ESH (1990-99)
30DETO/DEO/DE/DMH/D/ELH/DWH (1990-12)



Ref.	R.O.		
REC6H4-11631-01K	6H4-11631-01-95	Kit Pistón/ Piston kit/ Kit Pistoni	STD
REC6H4-11635-01K	6H4-11635-01	Kit Pistón/ Piston kit/ Kit Pistoni	0.25
REC6H4-11636-01K	6H4-11636-01	Kit Pistón/ Piston kit/ Kit Pistoni	0.50
REC648-11633-00	648-11633-00	Bulón / Pin / Bullone	
REC63D-11603-00	63D-11603-00	Aros / Rings / Fasce	STD
REC63D-11604-00	63D-11604-00	Aros / Rings / Fasce	0.25
REC63D-11605-00	63D-11605-00	Aros / Rings / Fasce	0.50
REC93602-20M02	93602-20M02	Rodamientos / Bearing / Cuscinetto	
REC6H4-11634-01	6H4-11634-01	Clip	

MOTORES / ENGINES / MOTORI

25Q/QEO (1990-94)
40V/VMH/VETO/VMH/MLH/VMHO/VE/VEO/TLR/VETO/YETO/H/HE (1995-13)
C40T/TLR (1995-02)
50H/HRD/HMHD/HETO/HEDO/HWM/D/DE/DEMO (1989-03)

MOTORES / ENGINES / MOTORI

25Q/QEO
40H/HE/HEO
50D/DE/DEMO



Ref.	R.O.		
REC689-11631-00K	689-11631-00-95	Kit Pistón/ Piston kit/ Kit Pistoni	STD
REC689-11633-00	689-11633-00	Bulón / Pin / Bullone	
REC689-11610-00	689-11610-01	Aros / Rings / Fasce	STD
REC93602-20M02	93602-20M02	Rodamientos / Bearing / Cuscinetto	
REC633-11634-00	633-11634-00	Clip	

MOTORES / ENGINES / MOTORI

30A (1985-1992)



YAMAHA

RECAMBIOS
MARINOS S.L.

Ref.	R.O.		
REC6F6-11631-00K	6F6-11631-00-95	Kit Pistón/ Piston kit/ Kit Pistoni	STD
REC6F6-11635-00K	6F6-11635-00	Kit Pistón/ Piston kit/ Kit Pistoni	0.25
REC6F6-11636-00K	6F6-11636-00	Kit Pistón/ Piston kit/ Kit Pistoni	0.50
REC6F5-11633-00	6F5-11633-00	Bulón / Pin / Bullone	
REC6F5-11610-00	6F5-11610-00	Aros / Rings / Fasce	STD
REC6F5-11610-10	6F5-11610-10	Aros / Rings / Fasce	0.25
REC6F5-11610-20	6F5-11610-20	Aros / Rings / Fasce	0.50
REC93603-21111	93603-21111	Rodamientos / Bearing / Cuscinetto	
REC663-11634-00	663-11634-00	Clip	

MOTORES / ENGINES / MOTORI

E40GMH/JMH/JWH (200)
40GWH/JWH (2003)



Ref.	R.O.		
REC66T-11631-01K	66T-11631-01-93	Kit Pistón/ Piston kit/ Kit Pistoni	STD
REC66T-11635-01K	66T-11635-01	Kit Pistón/ Piston kit/ Kit Pistoni	0.25
REC66T-11636-01K	66T-11636-01	Kit Pistón/ Piston kit/ Kit Pistoni	0.50
REC6F5-11633-00	6F5-11633-00	Bulón / Pin / Bullone	
REC66T-11603-00	66T-11603-00	Aros / Rings / Fasce	STD
REC66T-11604-00	66T-11604-00	Aros / Rings / Fasce	0.25
REC66T-11605-00	66T-11605-00	Aros / Rings / Fasce	0.50
REC93603-21111	93603-21111	Rodamientos / Bearing / Cuscinetto	
REC663-11634-00	663-11634-00	Clip	

MOTORES / ENGINES / MOTORI

E40X/XMH/XW (2002-13)
40XMH/XW (2003-13)



Ref.	R.O.		
REC6H4-11631-00K	6H4-11631-00-96	Kit Pistón/ Piston kit/ Kit Pistoni	STD
REC6H4-11635-00K	6H4-11635-00	Kit Pistón/ Piston kit/ Kit Pistoni	0.25
REC6H4-11636-00K	6H4-11636-00	Kit Pistón/ Piston kit/ Kit Pistoni	0.50
REC648-11633-00	648-11633-00	Bulón / Pin / Bullone	
REC6H4-11610-00-00	6H4-11610-00	Aros / Rings / Fasce	STD
	6H4-11610-10	Aros / Rings / Fasce	0.25
	6H4-11610-20	Aros / Rings / Fasce	0.50
REC93602-20M02	93602-20M02	Rodamientos / Bearing / Cuscinetto	
REC6H4-11634-01	6H4-11634-01	Clip	

MOTORES / ENGINES / MOTORI

40N/E/H (1984-1988)
50D/ETN (1984-1988)



Ref.	R.O.		
REC6H1-11631-03K	6H1-11631-03-95	Kit Pistón/ Piston kit/ Kit Pistoni	STD
REC663-11633-00	663-11633-00	Bulón / Pin / Bullone	
REC688-11603-A0	688-11603-A0	Aros / Rings / Fasce	STD
REC688-11605-A0	688-11605-A0	Aros / Rings / Fasce	0.50
REC93603-21111	93603-21111	Rodamientos / Bearing / Cuscinetto	

MOTORES / ENGINES / MOTORI

55B (1996)
75 TLRB (2003)
75CETO (2004-13)
75AE/T/M/HD (1995-98)
E75B (2000-02)
75AED (2003-07)
75TLR (2000-02)
80A/AETO/AEMTO (1994-02)
85A/AE (1995-02)
90A/AEO/AEMO/AETO/AET/TLR/AETO (1994-13)



Ref.	R.O.		
REC688-11631-02K	688-11631-02-95	Kit Pistón/ Piston kit/ Kit Pistoni	STD
REC663-11633-00	663-11633-00	Bulón / Pin / Bullone	
REC688-11610-02	688-11610-02	Aros / Rings / Fasce	STD
REC93603-21111	93603-21111	Rodamientos / Bearing / Cuscinetto	
REC688-11634-00	688-11634-00	Clip	

MOTORES / ENGINES / MOTORI

55BET (1990)
55BE (1992)



Ref.	R.O.		
REC688-11631-03K	688-11631-03-94	Kit Pistón/ Piston kit/ Kit Pistoni	STD
REC688-11635-03K	688-11635-03	Kit Pistón/ Piston kit/ Kit Pistoni	0.25
REC688-11636-03K	688-11636-03	Kit Pistón/ Piston kit/ Kit Pistoni	0.50
REC663-11633-00	663-11633-00	Bulón / Pin / Bullone	
REC688-11603-A0	688-11603-A0	Aros / Rings / Fasce	STD
REC688-11605-A0	688-11605-A0	Aros / Rings / Fasce	0.50
REC93603-21111	93603-21111	Rodamientos / Bearing / Cuscinetto	
REC688-11634-00	688-11634-00	Clip	

MOTORES / ENGINES / MOTORI

E48CMHS (2003)
55B/BM/BET (1993-02)
E55CMH (2003-05)
E75B (2000)
85A/AET/AED (2000-03)



Ref.	R.O.		
REC6K5-11631-03K	6K5-11631-03-95	Kit Pistón/ Piston kit/ Kit Pistoni	STD
REC6K5-11635-03K	6K5-11635-03	Kit Pistón/ Piston kit/ Kit Pistoni	0.25
REC6K5-11636-03K	6K5-11636-03	Kit Pistón/ Piston kit/ Kit Pistoni	0.50
REC6H3-11633-00	6H3-11633-00	Bulón / Pin / Bullone	
REC6K5-11601-02	6K5-11601-02	Aros / Rings / Fasce	STD
REC6K5-11601-12	6K5-11601-12	Aros / Rings / Fasce	0.25
REC6K5-11601-22	6K5-11601-22	Aros / Rings / Fasce	0.50
REC93603-18M09	93603-18M09	Rodamientos / Bearing / Cuscinetto	

MOTORES / ENGINES / MOTORI

E60HE/HM/H/MHZ/MLHA/ELHB/HMHD -S-L (1997-13)



Ref.	R.O.		
REC688-11631-81K	688-11631-81-96	Kit Pistón/ Piston kit/ Kit Pistoni	STD
REC688-11610-02	688-11610-02	Aros / Rings / Fasce	STD
REC93603-21111	93603-21111	Rodamientos / Bearing / Cuscinetto	

MOTORES / ENGINES / MOTORI

75A/AE (1990-93)
85A/AE (1990-93)



Ref.	R.O.		
REC6R5-11631-11K	6R5-11631-11-93	Kit Pistón/ Piston kit/ Kit Pistoni	(STB)STD
WJ314654		Kit Pistón/ Piston kit/ Kit Pistoni	0.40
REC6R5-11642-11K	6R5-11642-11-93	Kit Pistón/ Piston kit/ Kit Pistoni	(PORT)STD
WJ3146P4		Kit Pistón/ Piston kit/ Kit Pistoni	0.40
REC6R5-11633-00	6R5-11633-10	Bulón / Pin / Bullone	
REC6R5-11603-00	6R5-11603-00	Aros / Rings / Fasce	STD
REC93310-32337	93310-32337	Rodamientos / Bearing / Cuscinetto	
REC6R5-11634-00	6R5-11634-10	Clip	

MOTORES / ENGINES / MOTORI

100A/AETO (1996-01)
115B (2000-02)
115CEO/CETO/TLR/TXRZ (1993-13)
130BETO/TLR (1993-07)
150 CETO/L150CETO (1993-95)
175BETO (1993-95)
200CETO (1993)
200BETO (1993-95)
225BET/BETO (1993-95)



Ref.	R.O.		
REC6G5-11631-00K	6G5-11631-00-93	Kit Pistón/ Piston kit/ Kit Pistoni	(STB)STD
WJ314654		Kit Pistón/ Piston kit/ Kit Pistoni	0.40
REC6G5-11642-00K	6G5-11642-00-93	Kit Pistón/ Piston kit/ Kit Pistoni	(PORT)STD
WJ3116P4		Kit Pistón/ Piston kit/ Kit Pistoni	0.40
REC6E5-11633-00	6E5-11633-01	Bulón / Pin / Bullone	
REC6E5-11610-02	6E5-11610-02	Aros / Rings / Fasce	STD
REC93603-21111	93603-21111	Rodamientos / Bearing / Cuscinetto	

MOTORES / ENGINES / MOTORI

115ETN (1984)
115A (1985-87)
140AETO (1984-87)
150ETN (1984)
150AETO (1985-87)
175AETO (1984-87)
200ETN (1984)
200AETO (1985-87)



Ref.	R.O.		
REC6R5-11631-01K	6R5-11631-11-93	Kit Pistón/ Piston kit/ Kit Pistoni	(STB)STD
REC6R5-11642-01K	6R5-11642-11-93	Kit Pistón/ Piston kit/ Kit Pistoni	(PORT)STD
REC6K7-11633-00	6K7-11633-00	Bulón / Pin / Bullone	
REC64D-11603-01	64D-11603-02	Aros / Rings / Fasce	STD
REC64D-11604-01	64D-11603-04	Aros / Rings / Fasce	0.25
REC64D-11605-01	64D-11603-05	Aros / Rings / Fasce	0.50
REC93310-32337	93603-21111	Rodamientos / Bearing / Cuscinetto	
REC6R5-11634-00	6R5-11634-00	Clip	

MOTORES / ENGINES / MOTORI

115BE/CEO (1992)
E115AEL (2003)
130BETO (1992)
150CETO (1992)
175BETO (1992)
200BETO (1992)



Ref.	R.O.		
REC64D-11631-00K	64D-11631-02-90	Kit Pistón/ Piston kit/ Kit Pistoni	(STB)STD
REC64D-11642-00K	64D-11642-02-90	Kit Pistón/ Piston kit/ Kit Pistoni	(PORT)STD
REC6R5-11633-00	6R5-11633-10	Bulón / Pin / Bullone	
REC64D-11603-02	64D-11603-02	Aros / Rings / Fasce	STD
REC93310-32337	93310-32337	Rodamientos / Bearing / Cuscinetto	
REC6R5-11634-00	6R5-11634-10	Clip	

MOTORES / ENGINES / MOTORI

150F/FETO (1996-2007)
150TXR/TR (2002-05)
150AET (2001-02)
175D/DETO (1996-03)
200AET (2003)
200F/TLR/FETO (1996-10)
200G/GETOL (1996-02)
L200F/FETO (1996-00)
225D/DET (1996-09)



GUÍA DE PISTONES Y SEGMENTOS PISTONS & RINGS GUIDE GUIDA PISTONI E FASCE

MODELO MODEL MODELLO	AÑO INICIO YEAR FROM DALL'ANNO	AÑO FIN YEAR TO ALL'ANNO	SEGMENTOS RING FASCE	PISTÓN PISTON PISTONE
2B	1985	1999		
2BMHS/MSHA	2002	2003		
4A	1985	1987	REC6G1-11610-00	REC6E0-11631-00-98K
4AC	1987	1999	REC6G1-11610-00	REC6E0-11631-00-98K
4ACMHL/HS	2001	2003	REC6G1-11610-00	REC6E0-11631-00-98K
4AS	1987	1996	REC6G1-11610-00	REC6E0-11631-00-98K
4BC	1998	1998	REC6G1-11610-00	REC6E0-11631-00-98K
4BCMHL/HS	2001	2003	REC6G1-11610-00	REC6E0-11631-00-98K
5C	1994	1998	REC6G1-11610-00	REC6E0-11631-00-98K
5CMHL/HS	2001	2003	REC6G1-11610-00	REC6E0-11631-00-98K
5CS	1994	1996	REC6G1-11610-00	REC6E0-11631-00-98K
6C	1984	1996	REC6G1-11610-00	
6CMHL/HS	2002	2002	REC6G1-11610-00	
6D	1984	1996	REC6G1-11610-00	
6DMHL/HS	2002	2002	REC6G1-11610-00	
8C	1984	1996	REC6G1-11610-00	
8CMHL/HS	2002	2002	REC6G1-11610-00	
8CMHX	2002	2002	REC6G1-11610-00	
8CWHL	2002	2002	REC6G1-11610-00	
8CWHS	2002	2002	REC6G1-11610-00	
E8D	1997	1998	REC647-11610-00	REC677-11631-00K
E8DMH	1999	1999	REC689-11610-00	REC677-11631-00K

MODELO MODEL MODELLO	AÑO INICIO YEAR FROM DALL'ANNO	AÑO FIN YEAR TO ALL'ANNO	SEGMENTOS RING FASCE	PISTÓN PISTON PISTONE
9.9D	1985	1995	REC682-11610-00	REC6E7-11631-00K
9.9FEMHW	1995	2013	REC682-11610-00	REC6E7-11631-00K
13.5/15FEMHW LBC	1995	2013	REC682-11610-00	REC6E7-11631-00K
15D	1985	1995	REC682-11610-00	REC6E7-11631-00K
25B/BETO	1994	1995	REC6K5-11601-02	REC6H3-11631-01K
25BMHL/HS	2001	2010	REC61N-11603-00	REC61N-11631-00K
25J	1990	2000		REC6J8-11631-02K
25Q	1990	1994		REC6H4-11631-01K
25VE/VM	1996	2001	REC61N-11603-00	REC61N-11631-00K
25BMHL/HM	2001	2012	REC61N-11603-00	REC61N-11631-00K
25BMHS/WC	2001	2012	REC61N-11603-00	REC61N-11631-00K
C25 MHV2	1997	1998	REC61N-11603-00	REC61N-11631-00K
30A	1984	1985	REC689-11610-00	REC689-11631-00K
30AM	1990	1992	REC689-11610-00	REC689-11631-00K
30D	1990	2002		REC6J8-11631-02K
30DEOL -EL	2001	2010		REC6J8-11631-02K
30DEOS	2001	2010		REC6J8-11631-02K
30DEOT -DETOL	2001	2010		REC6J8-11631-02K
30DMHOL	2001	2014		REC6J8-11631-02K
30DMHOS	2001	2010		REC6J8-11631-02K
E30HMH	2003	2003	REC61N-11603-00	REC61N-11631-00K
30G/GE	1996	1997	REC61N-11603-00	REC61N-11631-00K
30 HM/WH	2003	2003	REC61N-11603-00	REC61N-11631-00K
30 HM/W	2010	2012	REC61N-11603-00	REC61N-11631-00K
C30	1993	1997	REC61N-11603-00	REC61N-11631-00K
40H	1984	1988	REC6H4-11610-00	REC6H4-11631-00K
40H	1989	1994		REC6H4-11631-01K
40RMHO	2000	2000	REC6H4-11610-00	REC6H4-11631-01K
40RROS	2001	2001	REC6H4-11610-00	REC6H4-11631-01K
40V	1995	1998	REC6H4-11610-00	REC6H4-11631-01K
40VEO	2000	2000	REC6H4-11610-00	REC6H4-11631-01K
40VEOL/OS	2001	2006	REC6H4-11610-00	REC6H4-11631-01K
40VETO	2000	2000	REC6H4-11610-00	REC6H4-11631-01K
40VETOL	2001	2006	REC6H4-11610-00	REC6H4-11631-01K
40VETOS	2001	2003	REC6H4-11610-00	REC6H4-11631-01K
40VMHOL/OS	2001	2006	REC6H4-11610-00	REC6H4-11631-01K
40VMO	2000	2000	REC6H4-11610-00	REC6H4-11631-01K
40VMOS	2002	2002	REC6H4-11610-00	REC6H4-11631-01K
40X	1998	1998	REC66T-11603-00	REC66T-11631-01K
40XMH	2000	2000	REC66T-11603-00	REC66T-11631-01K
40XMHL	2001	2006	REC66T-11603-00	REC66T-11631-01K
40XMHS	2001	2002	REC66T-11603-00	REC66T-11631-01K
40XW	2000	2000	REC66T-11603-00	REC66T-11631-01K
40XWL/WS	2001	2001	REC66T-11603-00	REC66T-11631-01K
40XWT	2000	2000	REC66T-11603-00	REC66T-11631-01K
40XWTL	2001	2003	REC66T-11603-00	REC66T-11631-01K
40YETOL/YMHOS	2001	2004	REC6H4-11610-00	REC6H4-11631-01K
50D	1984	1989	REC6H4-11610-00	REC6H4-11631-00K
50D	1989	1994		REC6H4-11631-01K
50G/EO	1993	2000	REC6K5-11601-02	REC6H3-11631-01K
50GETO	2000	2000	REC6K5-11601-02	REC6H3-11631-01K
50GETOL	2001	2007	REC6K5-11601-02	REC6H3-11631-01K
50H	1995	1998	REC6H4-11610-00	REC6H4-11631-01K
50HEDO	2000	2000	REC6H4-11610-00	REC6H4-11631-01K
50HEDOL/OS	2001	2002	REC6H4-11610-00	REC6H4-11631-01K
50HMDO	2000	2000	REC6H4-11610-00	REC6H4-11631-01K
55B	1993	2002	REC688-11603-A0	REC6H1-11631-03K
55BE	1990	1992	REC688-11610-02	REC688-11631-02K
55BE	2000	2000	REC688-11603-A0	REC688-11631-03K
55BEHD/BET	2000	2000	REC688-11603-A0	REC688-11631-03K
55BETL	2001	2002	REC688-11603-A0	REC688-11631-03K
60F	1990	2002	REC6K5-11601-02	REC6H3-11631-01K
60FEO	1991	2000	REC6K5-11601-02	REC6H3-11631-01K
60FETO	2000	2006	REC6K5-11601-02	REC6H3-11631-01K
60FETOL	2001	2007	REC6K5-11601-02	REC6H3-11631-01K

MODELO MODEL MODELLO	AÑO INICIO YEAR FROM DALL'ANNO	AÑO FIN YEAR TO ALL'ANNO	SEGMENTOS RING FASCE	PISTÓN PISTON PISTONE
E60/HM/HDL	2001	2006	REC6K5-11601-02	REC6K5-11631-03K
70B	1990	2002	REC6K5-11601-02	REC6H3-11631-01K
70BEDOL	2001	2003	REC6K5-11601-02	REC6H3-11631-01K
70BEO	1991	2000	REC6K5-11601-02	REC6H3-11631-01K
70BETO	1998	2013	REC6K5-11601-02	REC6H3-11631-01K
70BETOL	2001	2013	REC6K5-11601-02	REC6H3-11631-01K
75A	1993	1994	REC688-11610-02	REC688-11631-81K
75AET	2000	2000	REC688-11603-A0	REC6H1-11631-03K
75AETL	2001	2006	REC688-11603-A0	REC6H1-11631-03K
75AMHD	2000	2000	REC688-11603-A0	REC6H1-11631-03K
75C	1998	1998	REC688-11603-A0	REC6H1-11631-03K
75CETO	2000	2000	REC688-11603-A0	REC6H1-11631-03K
75CETOL	2001	2006	REC688-11603-A0	REC6H1-11631-03K
80A	1994	1996	REC688-11603-A0	REC6H1-11631-03K
85A	1990	1994	REC688-11610-02	REC688-11631-81K
85A	1995	1998	REC688-11603-A0	REC6H1-11631-03K
85AE	1990	1992	REC688-11610-02	REC688-11631-81K
85AE/AET	2000	2000	REC688-11603-A0	REC6H1-11631-03K
85AETL	2001	2002	REC688-11603-A0	REC6H1-11631-03K
90A	1994	1998	REC688-11603-A0	REC6H1-11631-03K
90AETO	2000	2000	REC688-11603-A0	REC6H1-11631-03K
90AETOL	2001	2006	REC688-11603-A0	REC6H1-11631-03K
100A	1997	1998	REC64D-11603-01	REC6R5-11631-11K (STB) / REC6R5-11642-11K (PORT)
100AETO	2000	2000	REC64D-11603-01	REC6R5-11631-11K (STB) / REC6R5-11642-11K (PORT)
100AETOL	2001	2001	REC64D-11603-01	REC6R5-11631-11K (STB) / REC6R5-11642-11K (PORT)
115A	1984	1987	REC6E5-11610-02	REC6G5-11631-00K (STB) / REC6G5-11642-00K (PORT)
115B	1992	1992	REC61U-11601-00	REC6R5-11631-01K (STB) / REC6R5-11642-01K (PORT)
115B	1993	1996	REC6R5-11603-00	REC6R5-11631-11K (STB) / REC6R5-11642-11K (PORT)
115BETO	1997	2000	REC64D-11603-01	REC6R5-11631-11K (STB) / REC6R5-11642-11K (PORT)
115BETOL	2001	2002	REC64D-11603-01	REC6R5-11631-11K (STB) / REC6R5-11642-11K (PORT)
115C	1992	1992	REC64D-11603-01	REC6R5-11631-11K (STB) / REC6R5-11642-11K (PORT)
115C	1993	1996	REC6R5-11603-00	REC6R5-11631-11K (STB) / REC6R5-11642-11K (PORT)
115C	1997	1998	REC64D-11603-01	REC6R5-11631-11K (STB) / REC6R5-11642-11K (PORT)
115CETO	2000	2000	REC64D-11603-01	REC6R5-11631-11K (STB) / REC6R5-11642-11K (PORT)
115CETOL	2001	2006	REC64D-11603-01	REC6R5-11631-11K (STB) / REC6R5-11642-11K (PORT)
115CETOX	2001	2001	REC64D-11603-01	REC6R5-11631-11K (STB) / REC6R5-11642-11K (PORT)
E115AWEL	2003	2006	REC64D-11603-01	REC6R5-11631-01K (STB) / REC6R5-11642-01K (PORT)
130B	1992	1992	REC64D-11603-01	REC6R5-11631-11K (STB) / REC6R5-11642-11K (PORT)
130B	1993	1996	REC6R5-11603-00	REC6R5-11631-11K (STB) / REC6R5-11642-11K (PORT)
130B	1997	1998	REC64D-11603-01	REC6R5-11631-11K (STB) / REC6R5-11642-11K (PORT)
130BETO	2000	2000	REC64D-11603-01	REC6R5-11631-11K (STB) / REC6R5-11642-11K (PORT)
130BETOL	2001	2006	REC64D-11603-01	REC6R5-11631-11K (STB) / REC6R5-11642-11K (PORT)
130BETOX	2001	2001	REC64D-11603-01	REC6R5-11631-11K (STB) / REC6R5-11642-11K (PORT)
L130B	1992	1992	REC61U-11601-00	REC6R5-11631-01K (STB) / REC6R5-11642-01K (PORT)
L130B	1993	1993	REC6R5-11603-00	REC6R5-11631-11K (STB) / REC6R5-11642-11K (PORT)
L130B	1997	1998	REC64D-11603-01	REC6R5-11631-11K (STB) / REC6R5-11642-11K (PORT)
L130BETOX	2000	2001	REC64D-11603-01	REC6R5-11631-11K (STB) / REC6R5-11642-11K (PORT)
140A	1985	1987	REC6E5-11610-02	REC6G5-11631-00K (STB) / REC6G5-11642-00K (PORT)
150A	1984	1987	REC6E5-11610-02	REC6G5-11631-00K (STB) / REC6G5-11642-00K (PORT)
150AET	1998	2000	REC64D-11603-01	REC64D-11631-00K
150AETL/AETX	2001	2002	REC64D-11603-01	REC64D-11642-00K
150C	1992	1992	REC61U-11601-00	REC6R5-11631-01K (STB) / REC6R5-11642-01K (PORT)
150C	1993	1995	REC6R5-11603-00	REC6R5-11631-11K (STB) / REC6R5-11642-11K (PORT)
150F	1996	2001	REC64D-11603-01	REC6G5-11631-00K (STB) / REC6G5-11642-00K (PORT)
150FETO	1998	2000	REC64D-11603-01	REC64D-11631-00K (STB) / REC64D-11642-00K (PORT)
150FETOL	2001	2004	REC64D-11603-01	REC64D-11631-00K (STB) / REC64D-11642-00K (PORT)
150FETOX	2001	2005	REC64D-11603-01	REC64D-11631-00K (STB) / REC64D-11642-00K (PORT)
D150H	1999	2002	REC64D-11603-01	REC64D-11631-00K (STB) / REC64D-11642-00K (PORT)
L150C	1992	1992	REC61U-11601-00	REC6R5-11631-01K (STB) / REC6R5-11642-01K (PORT)
L 150C	1993	1995	REC6R5-11603-00	REC6R5-11631-11K (STB) / REC6R5-11642-11K (PORT)
L150F	1996	1998	REC64D-11603-01	REC6G5-11631-00K (STB) / REC6G5-11642-00K (PORT)
L150FETO	2000	2000	REC64D-11603-01	REC64D-11631-00K (STB) / REC64D-11642-00K (PORT)
L150FETOL/FETOX	2001	2001	REC64D-11603-01	REC64D-11642-00K (STB) / REC64D-11642-00K (PORT)
175A	1984	1987	REC6E5-11610-02	REC6G5-11631-00K (STB) / REC6G5-11642-00K (PORT)
175B	1992	1992	REC61U-11601-00	REC6R5-11631-01K (STB) / REC6R5-11642-01K (PORT)






MODELO MODEL MODELLO	AÑO INICIO YEAR FROM DALL'ANNO	AÑO FIN YEAR TO ALL'ANNO	SEGMENTOS RING FASCE	PISTÓN PISTON PISTONE
175BETO/CETO	1993	1995	REC6R5-11603-00	REC6R5-11631-11K (STB) / REC6R5-11642-11K (PORT)
175D	1996	1998	REC64D-11603-01	REC6G5-11631-00K (STB) / REC6G5-11642-00K (PORT)
175DETO	1996	2000	REC64D-11603-01	REC64D-11631-00K
175DETOL	2001	2003	REC64D-11603-01	REC64D-11642-00K
175DETOX	2001	2002	REC64D-11603-01	REC64D-11642-00K
200A	1984	1987	REC6E5-11610-02	REC6G5-11631-00K (STB) / REC6G5-11642-00K (PORT)
200B	1992	1992	REC64D-11603-01	REC6R5-11631-01K (STB) / REC6R5-11642-01K (PORT)
200B	1993	1995	REC6R5-11603-00	REC6R5-11631-11K (STB) / REC6R5-11642-11K (PORT)
200F	1996	1998	REC64D-11603-01	REC6G5-11631-00K (STB) / REC6G5-11642-00K (PORT)
200FETO	2000	2000	REC64D-11603-01	REC64D-11631-00K (STB) / REC64D-11642-00K (PORT)
200FETOL/F	2001	2004	REC64D-11603-01	REC64D-11631-00K (STB) / REC64D-11642-00K (PORT)
200G	1999	1999	REC64D-11603-01	REC64D-11631-00K (STB) / REC64D-11642-00K (PORT)
200GETO	2000	2000	REC64D-11603-01	REC64D-11631-00K (STB) / REC64D-11642-00K (PORT)
200GETOL	2001	2003	REC64D-11603-01	REC64D-11631-00K (STB) / REC64D-11642-00K (PORT)
L200B	1992	1992	REC6R5-11603-00	REC6R5-11631-01K (STB) / REC6R5-11642-01K (PORT)
L200B	1993	1995	REC6R5-11603-00	REC6R5-11631-11K (STB) / REC6R5-11642-11K (PORT)
L200F	1996	2001	REC64D-11603-01	REC6G5-11631-00K (STB) / REC6G5-11642-00K (PORT)
L200FETO	1996	2000	REC64D-11603-01	REC64D-11631-00K (STB) / REC64D-11642-00K (PORT)
200FETOL	2001	2004	REC64D-11603-01	REC64D-11631-00K (STB) / REC64D-11642-00K (PORT)
220A, ET, O	1985	1987	REC6E5-11610-02	
225B	1993	1995	REC6R5-11603-00	REC6R5-11631-11K (STB) / REC6R5-11642-11K (PORT)
225D	1996	2001	REC64D-11603-01	REC6G5-11631-00K (STB) / REC6G5-11642-00K (PORT)
225DETO	1996	2000	REC64D-11603-01	REC64D-11631-00K (STB) / REC64D-11642-00K (PORT)
225G	1999	1999	REC64D-11603-01	REC64D-11631-00K (STB) / REC64D-11642-00K (PORT)
225GETO	1999	2000	REC64D-11603-01	REC64D-11631-00K (STB) / REC64D-11642-00K (PORT)
225GETOL	2001	2003	REC64D-11603-01	REC64D-11631-00K (STB) / REC64D-11642-00K (PORT)
L225C	1994	1995	REC6R5-11603-00	REC69L-11631-00K (STB) / REC69L-11642-00 (PORT)
250A	1993	1995	REC6R5-11603-00	REC69L-11631-00K (STB) / REC69L-11642-00 (PORT)
250AETO	2000	2000	REC64D-11603-01	REC69L-11631-00K (STB) / REC69L-11642-00 (PORT)
250AETOX	2001	2004	REC64D-11603-01	REC69L-11631-00K (STB) / REC69L-11642-00 (PORT)
250B	1997	1998	REC64D-11603-01	REC69L-11631-00K (STB) / REC69L-11642-00 (PORT)
250BETO	2000	2000	REC64D-11603-01	REC69L-11631-00K (STB) / REC69L-11642-00 (PORT)
250BETOX	2001	2000	REC64D-11603-01	REC69L-11631-00K (STB) / REC69L-11642-00 (PORT)
L250AETO	2000	2005	REC64D-11603-01	REC69L-11631-00K (STB) / REC69L-11642-00 (PORT)
L250AETOX	2001	2006	REC64D-11603-01	REC69L-11631-00K (STB) / REC69L-11642-00 (PORT)
L250B	1997	2002	REC64D-11603-01	REC69L-11631-00K (STB) / REC69L-11642-00 (PORT)
L250BETO	2000	2003	REC64D-11603-01	REC69L-11631-00K (STB) / REC69L-11642-00 (PORT)
L250BETOX	2001	2003	REC64D-11603-01	REC69L-11631-00K (STB) / REC69L-11642-00 (PORT)
L250GETOX	2006	2010	REC64D-11603-01	REC69L-11631-00K (STB) / REC69L-11642-00 (PORT)
L250 A	1997	1998	REC64D-11603-01	REC69L-11631-00K (STB) / REC69L-11642-00 (PORT)
Z-LZ300TR AETO-X-V	2004	2004		



GUÍA DE PISTONES Y SEGMENTOS PISTONS & RINGS GUIDE GUIDA PISTONI E FASCE






MODELO MODEL MODELLO	AÑO INICIO YEAR FROM DALL'ANNO	AÑO FIN YEAR TO ALL'ANNO	SEGMENTOS RING FASCE	PISTÓN PISTON PISTONE
F2.5 ALL	2004	2013	REC69M-E1603-01	PAF2.6-04020001
F4 ALL	2002	2009	REC68D-E1603-00	PAF4-04020001
F9.9/F15/F13.5	1998	2008	REC66N-11603-00	PAF15-07020001
FT25/T25	2000	2009	REC67C-11603-00	PAF25-05020101
F30 ALL	2001	2009	REC67C-11603-00	PAF25-05020101
F40 B/E ALL	2000	2009	REC67C-11603-00	PAF25-05020101
F20/F25 ALL	1999	2009	REC67C-11603-00	PAF25-05020101
F75	2003	2004		STD. WI3207PS / 0.50 WI3207P2
F75	2005	2008		STD. WI3208PS / 0.50 WI3208P2
F80	1999	2003		STD. WI3208PS / 0.50 WI3208P2
F90	2003	2004		STD. WI3207PS / 0.50 WI3207P2
F90	2005	2004		STD. WI3208PS / 0.50 WI3208P2
F100	1999	2003		STD. WI3208PS / 0.50 WI3208P2
F150	2004	2008		STD. WI3204PS / 0.25 WI3204P1
F200	2002	2007		STD. WI3206PS / 0.25 WI3206P1
F225	2005	2007		STD. WI3206PS / 0.25 WI3206P1






GUÍA RODAMIENTOS MOTOR ENGINE BEARING GUIDE GUIDA CUSCINETTI MOTORE

MODELO MODEL MODELLO	AÑOS YEARS ANNI	SUP. CIGÜEÑAL UP CRANKSHAFT SUP. ALBERO MOTORE 	GEN. CIGÜEÑAL CENT. CRANK CEN. ALBERO MOTORE 	INF. CIGÜEÑAL LOWER CRANK INF. ALBERO MOTORE 	CABEZA BIELA UP CON. ROAD GABBIA A RULLI 	PIE BIELA LOW CON. ROAD BRONZINA BIELLA 
4A	1985-87	REC93306-304U0		REC93306-304U0	REC93310-112V0	REC93310-418V1
4AC	1987-99	REC93306-304U0		REC93306-304U0	REC93310-112V0	REC93310-418V1
4AC	1999	REC93306-304U0		REC93306-304U0	REC93310-112V0	REC93310-418V1
4AC MHL/MHS	2001-03	REC93306-304U0		REC93306-304U0	REC93310-112V0	REC93310-418V1
4AS	1987-96	REC93306-304U0		REC93306-304U0	REC93310-112V0	REC93310-418V1
4BC	1998-99	REC93306-304U0		REC93306-304U0	REC93310-112V0	REC93310-418V1
4BC	1999	REC93306-304U0		REC93306-304U0	REC93310-112V0	REC93310-418V1
4BC MHL/MHS	2001-03	REC93306-304U0		REC93306-304U0	REC93310-112V0	REC93310-418V1
5C	1985-99	REC93306-304U0		REC93306-304U0	REC93310-112V0	REC93310-418V1
5C MHL/MHS	2001-13	REC93306-304U0		REC93306-304U0	REC93310-112V0	REC93310-418V1
5CS	1987-96	REC93306-304U0		REC93306-304U0	REC93310-112V0	REC93310-418V1
6C	1990	REC93306-204U0	REC93306-204U0	REC93306-204U0	REC93310-112V0	REC93310-418V1
6C	1990-02	REC93306-204U0	REC93306-204U0	REC93306-204U0	REC93310-112V0	REC93310-418V1
6C MHL/MHS	2001-06	REC93306-204U0	REC93306-204U0	REC93306-204U0	REC93310-112V0	REC93310-418V1
6C WHL/WHS	2001	REC93306-204U0	REC93306-204U0	REC93306-204U0	REC93310-112V0	REC93310-418V1
6C	1990	REC93306-204U0	REC93306-204U0	REC93306-204U0	REC93310-112V0	REC93310-418V1
6D	1990-98	REC93306-204U0	REC93306-204U0	REC93306-204U0	REC93310-112V0	REC93310-418V1
6D MHL/MHS	2001-06	REC93306-204U0	REC93306-204U0	REC93306-204U0	REC93310-112V0	REC93310-418V1
6D WHS	2001	REC93306-204U0	REC93306-204U0	REC93306-204U0	REC93310-112V0	REC93310-418V1
8C	1987-02	REC93306-204U0	REC93306-204U0	REC93306-204U0	REC93310-112V0	REC93310-418V1
8C MHL/MHS	2001-12	REC93306-204U0	REC93306-204U0	REC93306-204U0	REC93310-112V0	REC93310-418V1
8C MHX/WHL	2001-03	REC93306-204U0	REC93306-204U0	REC93306-204U0	REC93310-112V0	REC93310-418V1
E8D/MH	1996-99	REC93306-204U0	REC93306-204U0	REC93306-204U0	REC93602-14118	REC93310-418U0
9.9D	1985-89	REC93306-205U2	REC93304-205U0	REC93306-304U0	REC93602-14104	REC93310-620V5
9.9D	1985-95	REC93306-205U2	REC93304-205U0	REC93306-304U0	REC93602-14104	REC93310-620V5
9.9D	1990-95	REC93306-205U2	REC93304-205U0	REC93306-304U0	REC93602-14104	
9.9F	1995-99	REC93306-205U7	REC93306-205U7	REC93306-205U7	REC93602-14104	REC93310-620V5
9.9F MH	2000	REC93306-205U7	REC93306-205U7	REC93306-205U7	REC93602-14104	REC93310-620V5
9.9F MHL/MHS	2001-06	REC93306-205U7	REC93306-205U7	REC93306-205U7	REC93602-14104	
9.9F WC/WH	2000	REC93306-205U7	REC93306-205U7	REC93306-205U7	REC93602-14104	REC93310-620V5
9.9F WHL/WHS	2001	REC93306-205U7	REC93306-205U7	REC93306-205U7	REC93602-14104	REC93310-620V5
13.5A	1999	REC93306-205U7	REC93306-205U7	REC93306-205U7	REC93602-14104	REC93310-620V5
13.5A MH	2000	REC93306-205U7	REC93306-205U7	REC93306-205U7	REC93602-14104	REC93310-620V5
13.5A MHL/MHS	2001-04	REC93306-205U7	REC93306-205U7	REC93306-205U7	REC93602-14104	REC93310-620V5
13.5A WH	2000	REC93306-205U7	REC93306-205U7	REC93306-205U7	REC93602-14104	REC93310-620V5
15D	1985-89	REC93306-205U2	REC93304-205U0	REC93306-304U0	REC93602-14104	REC93310-620V5
15D	1985	REC93306-205U2	REC93304-205U0	REC93306-304U0	REC93602-14104	REC93310-620V5
15D	1990-95	REC93306-205U2	REC93304-205U0	REC93306-304U0	REC93602-14104	REC93310-620V5
15F	1995-99	REC93306-205U7	REC93306-205U7	REC93306-205U7	REC93602-14104	REC93310-620V5
15F MH	2000	REC93306-205U7	REC93306-205U7	REC93306-205U7	REC93602-14104	REC93310-620V5
15F MHL/MHS	2001-06	REC93306-205U7	REC93306-205U7	REC93306-205U7	REC93602-14104	REC93310-620V5
15F WC	2000	REC93306-205U7	REC93306-205U7	REC93306-205U7	REC93602-14104	REC93310-620V5
15F WCL/WCS	2001-03	REC93306-205U7	REC93306-205U7	REC93306-205U7	REC93602-14104	REC93310-620V5
20C	1985	REC93306-30510		REC93306-30510	REC93602-20M02	REC93310-522W0
20C	1986-93	REC93306-30510		REC93306-30510	REC93602-20M02	REC93310-522W0
20C	1993	REC93306-305U3		REC93306-305U3	REC93602-20M02	REC93310-522W0
20C M	1990-97	REC93306-305U3		REC93306-305U3	REC93602-20M02	REC93310-522W0
20C MH	1998	REC93306-305U3		REC93306-305U3	REC93602-20M02	REC93310-522W0
20C MHL/MHS	2001-02	REC93306-305U3		REC93306-305U3	REC93602-20M02	REC93310-522W0
20DEM	1994-98	REC93311-632U7	REC93306-305U3	REC93306-305U3		
20D MHOL/MHOS	2001-06	REC93311-632U7	REC93306-305U3	REC93306-305U3		
20D WOL/WOS	2006	REC93311-632U7	REC93306-305U3	REC93306-305U3		
25B	1994-95	REC93311-636U6		REC93306-306V1	REC93603-18M09	REC93603-18M09
25B MHL/MHS	2001-06	REC93399-99951		REC93306-305U3	REC93602-20M02	
25B WCS	2001-02	REC93399-99951		REC93306-305U3	REC93602-20M02	
25D	1985	REC93306-30510		REC93306-30510	REC93602-20M02	REC93310-522W0
25D	1986-87	REC93306-30510		REC93306-30510	REC93602-20M02	REC93310-522W0
25D M	1990-97	REC93311-632U7	REC93306-305U3	REC93306-305U3	REC93602-20M02	REC93310-522W0
25D MH	1998	REC93311-632U7	REC93306-305U3	REC93306-305U3		REC93310-522W0
25D MHL/MHS	2001	REC93311-632U7	REC93306-305U3	REC93306-305U3	REC93602-20M02	REC93310-522W0
25J	1987-2000			REC93306-305U3		
25J	1992-2000	REC93311-632U7		REC93306-305U3		
25N	1994-98	REC93311-632U7	REC93306-305U3	REC93306-305U3		
25N MHOL/MHOS	2001-06	REC93311-632U7	REC93306-305U3	REC93306-305U3		
25N WOL/WOS	2001-03	REC93311-632U7	REC93306-305U3	REC93306-305U3		

YAMAHA

**RECAMBIOS
MARINOS S.L.**

MODELO MODEL MODELLO	AÑOS YEARS ANNI	SUP. CIGÜEÑAL UP CRANKSHAFT SUP. ALBERO MOTORE 	CEN. CIGÜEÑAL CENT. CRANK CEN. ALBERO MOTORE 	INF. CIGÜEÑAL LOWER CRANK INF. ALBERO MOTORE 	CABEZA BIELA UP CON. ROAD GABBIA A RULLI 	PIE BIELA LOW CON. ROAD BRONZINE BIELLA 
25V	1996	REC93311-632U7	REC93306-305U3	REC93306-305U3	REC93602-20M02	
25V	1997-98	REC93311-632V4	REC93306-305U3	REC93306-305U3	REC93602-20M02	REC93310-624U5
25V MHL/MHS	2001	REC93311-632V4	REC93306-305U3	REC93306-305U3	REC93602-20M02	REC93310-624U5
25V WCS	2001	REC93311-632V4	REC93306-305U3	REC93306-305U3	REC93602-20M02	REC93310-624U5
30A	1985			REC93306-30510	REC93602-20M02	REC93310-624U5
30A M	1990-92			REC93306-305U3	REC93602-20M02	REC93310-624U5
30D	1986-99			REC93306-305U3		
30D	1992-00	REC93311-632U7		REC93306-305U3		
30D EOL/ETOL	2001-06	REC93311-632U7		REC93306-305U3		
30D MHOL/MHOS	2001-06	REC93311-632U7		REC93306-305U3		
30D OL	2001-03	REC93311-632U7		REC93306-305U3		
30D EOS	2001-06	REC93311-632U7		REC93306-305U3		
30G	1996	REC93311-632U7		REC93306-305U3	REC93602-20M02	REC93310-624U5
30G	1996-98	REC93311-632V4		REC93306-305U3	REC93602-20M02	REC93310-624U5
30G MHS/WCS	2001	REC93311-632V4		REC93306-305U3	REC93602-20M02	REC93310-624U5
30H MHS	2001-03	REC93311-632V4		REC93306-305U3	REC93602-20M02	REC93310-624U5
30H WCS	2001-02	REC93311-632V4		REC93306-305U3	REC93602-20M02	
40H	1984-87	REC93306-305U8		REC93306-30510	REC93602-20M02	
40Q	1993-98		REC93311-832U4		REC93603-21111	REC93310-730V6
40Q E/M	1992		REC93311-832U4		REC93603-21111	REC93310-730V6
40R MHO	2000				REC93602-20M02	
40R ROS	2001				REC93602-20M02	
40V	1994-99	REC93306-305U8		REC93306-305U8	REC93602-20M02	
40V EO	2000	REC93306-305U8		REC93306-305U8	REC93602-20M02	
40V EOL/EOS	2001-06	REC93306-305U8		REC93306-305U8	REC93602-20M02	
40V ETO	2000	REC93306-305U8		REC93306-305U8	REC93602-20M02	
40V ETOL/ETOS	2001-03	REC93306-305U8		REC93306-305U8	REC93602-20M02	
40V MHOL/MHOS	2001-06	REC93306-305U8		REC93306-305U8	REC93602-20M02	
40V MO	2000	REC93306-305U8		REC93306-305U8	REC93602-20M02	
40V MOS	2002-05	REC93306-305U8		REC93306-305U8	REC93602-20M02	
40X	1998	REC93306-307U0	REC93332-000UE	REC93306-306V5	REC93603-21111	REC93310-727U0
40X MH	2000	REC93306-307U0	REC93332-000UE	REC93306-306V5	REC93603-21111	REC93310-727U0
40X MHL	2001-06	REC93306-307U0	REC93332-000UE	REC93306-306V5	REC93603-21111	REC93310-727U0
40X WL/WS	2001	REC93306-307U0	REC93332-000UE	REC93306-306V5	REC93603-21111	REC93310-727U0
40X WT	2000	REC93306-307U0	REC93332-000UE	REC93306-306V5	REC93603-21111	REC93310-727U0
40X WTL	2001-03	REC93306-307U0	REC93332-000UE	REC93306-306V5	REC93603-21111	REC93310-727U0
40Y ETOL	2001-06	REC93306-305U8		REC93306-305U8	REC93602-20M02	
40Y MHOS	2001-06	REC93306-305U8		REC93306-305U8	REC93602-20M02	
E40G	2003	REC93306-307U0	REC93332-000UE	REC93306-306V1	REC93603-21111	REC93310-727V7
E40J	2003	REC93306-307U0	REC93332-000UE	REC93306-306V1	REC93603-21111	REC93310-727V7
50D	1984-90	REC93306-305U8		REC93306-30510	REC93602-20M02	
50G	1993-98	REC93311-636U6		REC93306-306V1	REC93603-18M09	REC93310-522W0
50G ETO	2000	REC93311-636U6		REC93306-306V1	REC93603-18M09	REC93310-522W0
50G ETOL	2001-06	REC93311-636U6		REC93306-306V1	REC93603-18M09	REC93310-522W0
50H	1994-99	REC93306-305U8		REC93306-305U8	REC93602-20M02	REC93310-522W0
50H EDO	2000	REC93306-305U8		REC93306-305U8	REC93602-20M02	REC93310-522W0
50H EDOL/EDOS	2001-02	REC93306-305U8		REC93306-305U8	REC93602-20M02	REC93310-522W0
50H MDO/MO	2000	REC93306-305U8		REC93306-305U8	REC93602-20M02	REC93310-522W0
55B	1993-98	REC93311-632U1			REC93603-21111	REC93311-832U4
55B E	1990-00	REC93311-632U1	REC93311-832U4		REC93603-21111	REC93311-832U4
55B EHD/ET	2000	REC93311-632U1	REC93311-832U4		REC93603-21111	REC93311-832U4
55B ETL	2001-02	REC93311-632U1	REC93311-832U4		REC93603-21111	REC93311-832U4
60F	1984-98	REC93311-636U6		REC93306-306V1	REC93603-18M09	
60F EO/ETO	2000	REC93311-636U6		REC93306-306V1	REC93603-18M09	
60F ETOL	2001-06	REC93311-636U6		REC93306-306V1	REC93603-18M09	
E60HMHD	2003	REC93311-636U6		REC93306-306V1		REC93310-527W1
E60 ELHB	2003	REC93311-636U6		REC93306-306V1		REC93310-527W1
E60H MHDL	2001-06	REC93311-636U6		REC93306-306V1	REC93603-18M09	
70B	1984-98	REC93311-636U6		REC93306-306V1	REC93603-18M09	
70B EDOL	2001	REC93311-636U6		REC93306-306V1	REC93603-18M09	
70B EO/ETO	2000	REC93311-636U6		REC93306-306V1	REC93603-18M09	
70B ETOL	2001-06	REC93311-636U6		REC93306-306V1	REC93603-18M09	
75A	1993-98	REC93310-636U4	REC93310-835U8	REC93306-206U5	REC93603-21111	REC93310-730V8
75A E	1990-00	REC93310-636U4	REC93310-835U8	REC93306-206U5	REC93603-21111	REC93310-730V8
75A EDL	2001-06	REC93310-636U4	REC93310-835U8	REC93306-206U5	REC93603-21111	REC93310-730V8
75A EM	1992	REC93310-636U4	REC93310-835U8	REC93306-206U5	REC93603-21111	REC93310-730V8
75A ET/ETL	2000	REC93310-636U4	REC93310-835U8	REC93306-206U5	REC93603-21111	REC93310-730V8
75A MHD	2000	REC93310-636U4	REC93310-835U8	REC93306-206U5	REC93603-21111	REC93310-730V8
75C	1998	REC93310-636U4	REC93310-835U8	REC93306-206U5	REC93603-21111	REC93310-730V8
75C ETO	2000	REC93310-636U4	REC93310-835U8	REC93306-206U5	REC93603-21111	REC93310-730V8

MODELO MODEL MODELLO	AÑOS YEARS ANNI	SUP. CIGÜEÑAL UP CRANKSHAFT SUP. ALBERO MOTORE	CEN. CIGÜEÑAL CENT. CRANK CEN. ALBERO MOTORE	INF. CIGÜEÑAL LOWER CRANK INF. ALBERO MOTORE	CABEZA BIELA UP CON. ROAD GABBIA A RULLI	PIE BIELA LOW CON. ROAD BRONZINE BIELLA
						
75C ETOL	2001-06	REC93310-636U4	REC93310-835U8	REC93306-206U5	REC93603-21111	REC93310-730V8
80A	1985-95	REC93310-636U4	REC93310-835U8	REC93306-206U5	REC93603-21111	REC93310-730V8
85A	1996-98	REC93310-636U4	REC93310-835U8	REC93306-206U5	REC93603-21111	REC93310-730V8
85A E	1990-2000	REC93310-636U4	REC93310-835U8	REC93306-206U5	REC93603-21111	REC93310-730V8
85A ET/ETL	2000	REC93310-636U4	REC93310-835U8	REC93306-206U5	REC93603-21111	REC93310-730V8
90A	1984-98	REC93310-636U4	REC93310-835U8	REC93306-206U5	REC93603-21111	REC93310-730V8
90A ETO/ETOL	2000	REC93310-636U4	REC93310-835U8	REC93306-206U5	REC93603-21111	REC93310-730V8
100A	1998	REC93311-940U3	REC93310-954U1	REC93306-208U0	REC93310-323V6	REC93310-836V2
100A ETO	2000	REC93311-940U3	REC93310-954U1	REC93306-208U0	REC93310-323V6	REC93310-836V2
100A ETOL	2001	REC93311-940U3	REC93310-954U1	REC93306-208U0	REC93310-323V6	REC93310-836V2
115A	1984-87	REC93311-940U3	REC93310-954V3	REC93306-208U0	REC93603-21111	REC93310-836V2
115B	1988-92	REC93311-940U3	REC93310-954V3	REC93306-208U0	REC93603-21111	REC93310-836V2
115B	1993-96	REC93311-940U3	REC93310-954V3	REC93306-208U0	REC93310-323V6	REC93310-836V2
115B ETOL	2001-02	REC93311-940U3	REC93310-954U1	REC93306-208U0	REC93310-323V6	REC93310-836U0
115C	1988-91	REC93311-940U3	REC93310-954V3	REC93306-208U0	REC93603-21111	REC93310-836V2
115C	1992-98	REC93311-940U3	REC93310-954V3	REC93306-208U0	REC93310-323V6	REC93310-836V2
115C ETO	2000	REC93311-940U3	REC93310-954U1	REC93306-208U0	REC93310-323V6	REC93310-836V2
115C ETOL	2001	REC93311-940U3	REC93310-954U1	REC93306-208U0	REC93310-323V6	REC93310-836U0
115C ETOX	1988-91	REC93311-940U3	REC93310-954U1	REC93306-208U0	REC93310-323V6	REC93310-836V2
130B	1992-98	REC93311-940U3	REC93310-954V3	REC93306-208U0	REC93603-21111	REC93310-836V2
130B	2001-06	REC93311-940U3	REC93310-954V3	REC93306-208U0	REC93310-323V6	REC93310-836V2
130B ETO	2000-2005	REC93306-307U0	REC93332-000UE	REC93306-208U0	REC93603-21111	REC93310-836V2
130B ETOL	2001-06	REC93311-940U3	REC93310-954U1	REC93306-208U0	REC93310-323V6	REC93310-836V2
130B ETOX	2001	REC93311-940U3	REC93310-954U1	REC93306-208U0	REC93310-323V6	REC93310-836U0
L130B	1988-91	REC93311-940U3	REC93310-954U1	REC93306-208U0	REC93310-323V6	REC93310-836V2
L130B	1992-98	REC93311-940U3	REC93310-954U1	REC93306-208U0	REC93603-21111	REC93310-836V2
L130B ETO	2000	REC93311-940U3	REC93310-954U1	REC93306-208U0	REC93310-323V6	REC93310-836V2
L130B ETOL	2001	REC93311-940U3	REC93310-954U1	REC93306-208U0	REC93310-323V6	REC93310-836V2
140A	1984-89	REC93311-940U3	REC93310-954U1	REC93306-208U0	REC93310-323V6	REC93310-836V2
140B	1988-89	REC93311-940U3	REC93310-954V3	REC93306-208U0	REC93603-21111	REC93310-836V2
L140B	1989	REC93311-940U3	REC93310-954V3	REC93306-208U0	REC93603-21111	REC93310-836V2
150A	1984-89	REC93311-940U3	REC93310-954V3	REC93306-208U0	REC93603-21111	REC93310-836V2
150A ET	1998-00	REC93311-940U3	REC93310-954V3	REC93306-208U0	REC93603-21111	REC93310-836V2
150A ETL	2001-02	REC93311-940U3	REC93310-954U1	REC93306-208U0	REC93310-323V6	REC93310-836V2
150A ETX	2001-02	REC93311-940U3	REC93310-954U1	REC93306-208U0	REC93310-323V6	REC93310-836V2
L150C	1988-91	REC93311-940U3	REC93310-954U1	REC93306-208U0	REC93310-323V6	REC93310-836V2
150C	1988-91	REC93311-940U3	REC93310-954V3	REC93306-208U0	REC93603-21111	REC93310-836V2
150C	1992-95	REC93311-940U3	REC93310-954V3	REC93306-208U0	REC93603-21111	REC93310-836V2
150F	1996-98	REC93311-940U3	REC93310-954V3	REC93306-208U0	REC93310-323V6	REC93310-836V2
150F ETO	2000	REC93311-940U3	REC93310-954U1	REC93306-208U0	REC93310-323V6	REC93310-836V2
150F ETOL	2001-06	REC93311-940U3	REC93310-954U1	REC93306-208U0	REC93310-323V6	REC93310-836V2
150F ETOX	2001-06	REC93311-940U3	REC93310-954U1	REC93306-208U0	REC93310-32337	REC93310-836V2
D150H	1999	REC93311-940U3	REC93310-954U1	REC93306-208U0	REC93310-32337	REC93310-836V2
D150HETO	2001-02	REC93311-940U3	REC93310-954U1	REC93306-208U0	REC93310-323V6	REC93310-836V2
L150A	1988-89	REC93311-940U3	REC93310-954U1	REC93306-208U0	REC93310-323V6	REC93310-836V2
L150C	1990-95	REC93311-940U3	REC93310-954V3	REC93306-208U0	REC93603-21111	REC93310-836V2
L150F	1996-98	REC93311-940U3	REC93310-954V3	REC93306-208U0	REC93310-323V6	REC93310-836V2
L150F ETO	2000	REC93311-940U3	REC93310-954U1	REC93306-208U0	REC93310-323V6	REC93310-836V2
L150F ETOL	2001	REC93311-940U3	REC93310-954U1	REC93306-208U0	REC93310-323V6	REC93310-836V2
L150 EOTX	2001	REC93311-940U3	REC93310-954U1	REC93306-208U0	REC93310-323V6	REC93310-836V2
LZ150PETO	2000-06	REC93311-940U3	REC93310-954U1	REC93306-208U0	REC93310-323V6	REC93310-836V2
Z150P ETO	2000	REC93311-940U3	REC93310-954U1	REC93306-208U0	REC93310-32337	REC93310-836U0
Z150P ETOL	2001-06	REC93311-940U3	REC93310-954U1	REC93306-208U0	REC93310-32337	REC93310-836U0
Z150Q ETO	2000	REC93311-940U3	REC93310-954U1	REC93306-208U0	REC93310-32337	REC93310-836U0
Z150Q ETOL	2001-06	REC93311-940U3	REC93310-954U1	REC93306-208U0	REC93310-323V6	REC93310-836U0
175A	1984-89	REC93311-940U3	REC93310-954U1	REC93306-208U0	REC93310-32337	REC93310-836U0
175B	1978-95	REC93311-940U3	REC93310-954V3	REC93306-208U0	REC93603-21111	REC93310-836V2
175D	1996-98	REC93311-940U3	REC93310-954V3	REC93306-208U0	REC93310-323V6	REC93310-836V2
175D ETO/ETOL	2000	REC93311-940U3	REC93310-954U1	REC93306-208U0	REC93310-323V6	REC93310-836V2
175D ETOX/ETOL	2001-02	REC93311-940U3	REC93310-954U1	REC93306-208U0	REC93310-323V6	REC93310-836V2
175D ETOL	2001	REC93311-940U3	REC93310-954U1	REC93306-208U0	REC93310-323V6	REC93310-836V2
Z175G ETOX	2001-06	REC93311-940U3	REC93310-954U1	REC93306-208U0	REC93310-323V6	REC93310-836U0
200A	1984-89	REC93311-940U3	REC93310-954U1	REC93306-208U0	REC93310-32337	REC93310-836U0
200B	1990-95	REC93311-940U3	REC93310-954V3	REC93306-208U0	REC93603-21111	REC93310-836V2
200F	1996-98	REC93311-940U3	REC93310-954V3	REC93306-208U0	REC93310-323V6	REC93310-836V2
200F ETO/ETOL	2000	REC93311-940U3	REC93310-954U1	REC93306-208U0	REC93310-323V6	REC93310-836V2
200F ETOX	2001-06	REC93311-940U3	REC93310-954U1	REC93306-208U0	REC93310-32337	REC93310-836V2
200G	1999-02	REC93311-940U3	REC93310-954U1	REC93306-208U0	REC93310-32337	REC93310-836V2
200G ETO/ETOL	2000	REC93311-940U3	REC93310-954U1	REC93306-208U0	REC93310-323V6	REC93310-836V2
L200A	1988-91	REC93311-940U3	REC93310-954U1	REC93306-208U0	REC93310-323V6	REC93310-836V2

MODELO MODEL MODELLO	AÑOS YEARS ANNI	SUP. CIGÜEÑAL UP CRANKSHAFT SUP. ALBERO MOTORE	CEN. CIGÜEÑAL CENT. CRANK CEN. ALBERO MOTORE	INF. CIGÜEÑAL LOWER CRANK INF. ALBERO MOTORE	CABEZA BIELA UP CON. ROAD GABBIA A RULLI	PIE BIELA LOW CON. ROAD BRONZINE BIELLA
L200B	1992-95	REC93311-940U3	REC93310-954V3	REC93306-208U0	REC93603-21111	REC93310-836V2
L200F	1996-98	REC93311-940U3	REC93310-954V3	REC93306-208U0	REC93310-323V6	REC93310-836V2
L200F ETO/ETOL	2000	REC93311-940U3	REC93310-954U1	REC93306-208U0	REC93310-323V6	REC93310-836V2
LZ200N ETO	2000	REC93311-940U3	REC93310-954U1	REC93306-208U0	REC93310-32337	REC93310-836V2
LZ200NETO		REC93311-940U3	REC93310-954U1	REC93306-208U0	REC93310-323V6	REC93310-836U0
Z200N ETO	2001-06	REC93311-940U3	REC93310-954U1	REC93306-208U0	REC93310-32337	REC93310-836U0
Z200 N ETOL	2000	REC93311-940U3	REC93310-954U1	REC93306-208U0	REC93310-323V6	REC93310-836U0
Z200N ETOX/ ETOL	2001-06	REC93311-940U3	REC93310-954U1	REC93306-208U0	REC93310-32337	REC93310-836U0
220A	2003-06	REC93311-940U3	REC93310-954U1	REC93306-208U0	REC93310-32337	REC93310-836U0
225A	1984-86	REC93311-940U3	REC93310-954V3	REC93306-208U0	REC93603-21111	REC93310-836V2
225A	1987-89	REC93311-940U3	REC93310-954V3	REC93306-208U0	REC93603-21111	REC93310-836V2
225D ETO	2000	REC93311-940U3	REC93310-954U1	REC93306-208U0	REC93310-323V6	REC93310-836V2
225D ETOL/ETOX	2001-03	REC93311-940U3	REC93310-954U1	REC93306-208U0	REC93310-323V6	REC93310-836V2
250AET	1996-06				REC93310-326V4	
250B	95-02				REC93310-326V4	
225G	99-03				REC93310-326V4	
225A	1984-86	REC93311-940U3	REC93310-954V3	REC93306-208U0	REC93603-21111	REC93310-836V2
225A	1987-89	REC93311-940U3	REC93310-954V3	REC93306-208U0	REC93603-21111	REC93310-836V2
225D ETO	2000	REC93311-940U3	REC93310-954U1	REC93306-208U0	REC93310-323V6	REC93310-836V2
225D ETOL/ETOX	2001-03	REC93311-940U3	REC93310-954U1	REC93306-208U0	REC93310-323V6	REC93310-836V2
250AET	1996-06				REC93310-326V4	
250B	95-02				REC93310-326V4	
225G	99-03				REC93310-326V4	



GUÍA CIGÜEÑAL CRANKSHAFT GUIDE GUIDA ALBERO MOTORE

MODELO MODEL MODELLO	AÑO INICIO YEAR FROM DALL'ANNO	AÑO FIN YEAR TO ALL'ANNO	PARTE 1 PART 1 PARTE 1	PARTE 2 PART 2 PARTE 2	PARTE 3 PART 3 PARTE 3	PARTE 4 PART 4 PARTE 4
6B/8B	1980	1981	REC677-11412-02	REC677-11422-02	REC677-11432-02	REC677-11442-02
E8D	1996	1999	REC677-11412-02	REC677-11422-02	REC677-11432-02	REC677-11442-02
E8D MH	1998	1999	REC677-11412-02	REC677-11422-02	REC677-11432-02	REC677-11442-02
9.9D	1985	1987	REC682-11412-00	REC682-11422-00	REC682-11432-00	REC682-11442-00
9.9D	1988	1995	REC63V-11412-00	REC6K4-11422-00	REC6K4-11432-00	REC682-11442-00
9.9F/MH	1995	2014	REC63V-11412-00	REC63V-11422-00	REC63V-11432-00	REC63V-11442-00
9.9F WH	2000	2000	REC63V-11412-00	REC63V-11422-00	REC63V-11432-00	REC63V-11442-00
9.9F WHL/S	2001	2001	REC63V-11412-00	REC63V-11422-00	REC63V-11432-00	REC63V-11442-00
13.5A	1999	2006	REC63V-11412-00	REC63V-11422-00	REC63V-11432-00	REC63V-11442-00
15D	1985	1987	REC682-11412-00	REC682-11422-00	REC63V-11432-00	REC682-11442-00
15D	1988	1995	REC682-11412-00	REC6K4-11422-00	REC6K4-11432-00	REC682-11442-00
15F/MH	1995	2014	REC63V-11412-00	REC63V-11412-00	REC63V-11432-00	REC63V-11442-00
E15D	2003	2003	REC63V-11412-00	REC63V-11422-00	REC63V-11432-00	REC63V-11442-00
15F WCL	2001	2003	REC63V-11412-00	REC63V-11422-00	REC63V-11432-00	REC63V-11442-00
15 WCS	2001	2002	REC63V-11412-00	REC63V-11422-00	REC63V-11432-00	REC63V-11442-00
20C	1981	1986	REC6G0-11412-00	REC6G0-11422-00	REC6G0-11432-00	
20C	1996	2002		REC6G0-11422-00	REC6G0-11432-00	
20C M	1990	2002	REC6G0-11412-00	REC6G0-11422-00	REC6G0-11432-00	
25D	1985	1987	REC6G0-11412-00	REC6G0-11422-00	REC6G0-11432-00	
25D M	1990	1997	REC6G0-11412-00	REC6G0-11422-00	REC6G0-11432-00	REC6G0-11442-00
25D MH	1998	1998	REC6G0-11412-00	REC6G0-11422-00	REC6G0-11432-00	REC6G0-11442-00
25D MHL/MHS	2001	2001	REC6G0-11412-00	REC6G0-11422-00	REC6G0-11432-00	REC6G0-11442-00
40X/E40X/MH	1998	2002	REC66T-11412-00	REC66T-11422-00	REC66T-11432-00	REC66T-11442-00
40X MHL	2001	2013	REC66T-11412-00	REC66T-11422-00	REC66T-11432-00	REC66T-11442-00
40X MHS	2001	2013	REC66T-11412-00	REC66T-11422-00	REC66T-11432-00	REC66T-11442-00
40X W	2000	2000	REC66T-11412-00	REC66T-11422-00	REC66T-11432-00	REC66T-11442-00
40X WL/WS	2001	2003	REC66T-11412-00	REC66T-11422-00	REC66T-11432-00	REC66T-11442-00
40X WT	2000	2000	REC66T-11412-00	REC66T-11422-00	REC66T-11432-00	REC66T-11442-00
40X WTL	2001	2003	REC66T-11412-00	REC66T-11422-00	REC66T-11432-00	REC66T-11442-00
40GM/W/J	2003	2004				



PARTE 1 / Part 1



PARTE 2 / Part 2



PARTE 3 / Part 3



PARTE 4 / Part 4



GUÍA CIGÜEÑAL COMPLETO CRANKSHAFT ASSY GUIDE GUIDA ALBERO MOTORE COMPLETO

MODELO MODEL MODELLO	AÑO INICIO YEAR FROM DALL'ANNO	AÑO FIN YEAR TO ALL'ANNO	CIGÜEÑAL CRANKSHAFT ALBERO MOTORE
E48CMHS	2003	2003	REC663-11411-00
E55CMH/L/S	2003	2005	REC663-11411-00
55B	1993	2002	REC663-11411-00
55B E	1990	1992	REC663-11411-00
55B EHD	2000	2000	REC663-11411-00
55B ET	1990	1998	REC663-11411-00
55B ETL	2001	2002	REC663-11411-00
80A/90AETO	1988	1988	REC688-11411-00
100A	1996	2001	REC6N7-11411-00
100A A ETO	2000	2000	REC6N7-11411-00
100A ETOL	2001	2001	REC6N7-11411-00
115A	1984	1987	REC6E5-11411-00
115B	1985	2001	REC6E5-11411-00
115B ETO	1997	2000	REC6N7-11411-00
115B ETOL	2001	2002	REC6N7-11411-00
115CEO	1990	1998	REC6N7-11411-00
115C ETO	1995	2001	REC6N7-11411-00
115CETOL/CETOX	2001	2001	REC6N7-11411-00
130BETO	1990	2001	REC6N7-11411-00
130BETOL/BETOX	2001	2001	REC6N7-11411-00
L130B	1991	1998	REC6N7-11411-00
L130B ETO	2000	2000	REC6N7-11411-00
L130B ETOX	2001	2001	REC6N7-11411-00
140A	1984	1987	REC6E5-11411-00
140B	1988	1989	REC6E5-11411-00
L140B	1989	1989	REC6E5-11411-00
150A	1984	1989	REC6G5-11411-02
150A ET	1998	2000	REC6G5-11411-02
150A ETL/ETX	2001	2001	REC6G5-11411-02
150D ETOL	2001	2003	REC6G5-11411-02
150F	1997	1998	REC6G5-11411-02
150F ETO	2000	2000	REC6G5-11411-02
150FETOL-X	2002	2007	REC6G5-11411-02
150F ETOL	2001	2006	REC6G5-11411-02
150F ETOX	2001	2006	REC6G5-11411-02
D150H	1999	1999	REC6G5-11411-02
DX150TLRA	2002	2002	REC67H-11411-00
L150A	1988	1989	REC6G5-11411-02
L150CETO	1990	1995	REC6R3-11411-00
L150F	1997	1998	REC6G5-11411-02
L150F ETO	2000	2000	REC6G5-11411-02

MODELO MODEL MODELLO	AÑO INICIO YEAR FROM DALL'ANNO	AÑO FIN YEAR TO ALL'ANNO	CIGÜEÑAL CRANKSHAFT ALBERO MOTORE
L150 FETOL/FETOX	2001	2001	REC6G5-11411-02
SX150TXRA	2002	2002	REC67H-11411-00
175A	1984	1989	REC6G5-11411-02
175BETO/ET	1990	1995	REC6R3-11411-00
175D	1997	1998	REC6G5-11411-02
175D ETO	2000	2000	REC6G5-11411-02
175D ETOX	2001	2002	REC6G5-11411-02
200A	1984	1989	REC6G5-11411-02
200AET-L-X	2003	2003	REC6G5-11411-02
200BETO/ETD	1990	1995	REC6R3-11411-00
200CETO	1992	1993	REC6R3-11411-00
200F	1997	1998	REC6G5-11411-02
200F ETO	2000	2000	REC6G5-11411-02
200F ETOL	2001	2001	REC6G5-11411-02
200FETOL-X	2002	2010	REC6G5-11411-02
200F ETOX	2001	2001	REC6G5-11411-02
200G	1999	1999	REC6G5-11411-02
200G ETO	2000	2000	REC6G5-11411-02
200G ETOL	2001	2001	REC6G5-11411-02
L200A	1988	1991	REC6G5-11411-02
L200BETO/ET	1990	1995	REC6R3-11411-00
L200F	1997	1998	REC6G5-11411-02
L200F ETO	2000	2000	REC6G5-11411-02
PROV200	1991	1995	REC6R3-11411-00
220AET	1984	1986	REC6G5-11411-02
225AETO	1987	1989	REC6G5-11411-02
225D-DET	1997	2001	REC6G5-11411-02







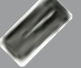
GUÍA CIGÜEÑAL COMPLETO CRANKSHAFT ASSY GUIDE GUIDA ALBERO MOTORE COMPLETO

MODELO MODEL MODELLO	AÑO INICIO YEAR FROM DALL'ANNO	AÑO FIN YEAR TO ALL'ANNO	CIGÜEÑAL CRANKSHAFT ALBERO MOTORE
F2.5 ALL	2003	2013	PAF2.6-04030000
F4 ALL	1998	2009	PAF4-04030000
F9.9 ALL	1998	2009	PAF15-07030000
F13.5 ALL	1999	2007	PAF15-07030000
F15 ALL	1998	2007	PAF15-07030000
T25E/TL/R/B	2000	2009	PAF25-05020001
F25 ALL	1999	2009	PAF25-05020001
F20/AE/S/TL	2003	2006	PAF25-05020001
F45AET	1999	1999	PAF25-05020001
F50TJR	1999	1999	PAF25-05020001





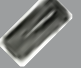


GUÍA BIELAS CONNECTING ROAD GUIDE GUIDA BIELLE

MODELO MODEL MODELLO	AÑOS YEARS ANNI	BIELA CONNEC. ROAD BIELLA	ARANDELA P. BIELA WASHER DOWN RONDELLA GIÙ BIELLA	ARANDELA CA. BIELA WASHER UP RONDELLA SU BIELLA	BULÓN PIN BULONE	PASAD. PIE BIELA PIN DOW PASSO BIELLA
2B	1986-2002	REC646-11651-02	REC90209-18112			REC646-11681-00
2MSHA/S/B	2002-03	REC646-11651-02				REC646-11681-00
2CMHS	2010	REC646-11651-02				REC646-11681-00
4A	1985-87	REC6E0-11651-01				REC6G1-11681-00
4AC	1987-99	REC6E0-11651-01	REC90209-18112		REC6G1-11633-00	REC6G1-11681-00
4AC MHL/HS	2001-03	REC6E0-11651-01	REC90209-18112		REC6G1-11633-00	REC6G1-11681-00
4AS	1987-96	REC6E0-11651-01	REC90209-18112		REC6G1-11633-00	REC6G1-11681-00
4BC	1998-99	REC6E0-11651-01	REC90209-18112		REC6G1-11633-00	REC6G1-11681-00
4BC	1999	REC6E0-11651-01	REC90209-18112		REC6G1-11633-00	REC6G1-11681-00
4BC MHL/HS	2001-03	REC6E0-11651-01	REC90209-18112		REC6G1-11633-00	REC6G1-11681-00
5C	1985-99	REC6E0-11651-01	REC90209-18112		REC6G1-11633-00	REC6G1-11681-00
5C MHL/MHS	2001-06	REC6E0-11651-01	REC90209-18112	REC90201-12565	REC6G1-11633-00	REC6G1-11681-00
5CS	1987-96	REC650-11651-00	REC90209-20159	REC90201-14377	REC634-11633-00	REC682-11681-00
6C	1990		REC90209-20159	REC90201-14377	REC634-11633-00	REC682-11681-00
6C	1990-98		REC90209-20159	REC90201-14377	REC634-11633-00	REC682-11681-00
6C MHL/HS	2001-06		REC90209-18112	REC90201-14377	REC634-11633-00	REC682-11681-00
6C WHL/HS	2001		REC90209-18112	REC90201-14377	REC634-11633-00	REC682-11681-00

MODELO MODEL MODELLO	AÑOS YEARS ANNI	BIELA CONNEC. ROAD BIELLA 	ARANDELA P. BIELA WASHER DOWN RONDELLA GIÙ BIELLA 	ARANDELA CA. BIELA WASHER UP RONDELLA SU BIELLA 	BULÓN PIN BULONE 	PASAD. PIE BIELA PIN DOW PASSO BIELLA 
6C	1990		REC90209-18112	REC90201-14377	REC634-11633-00	REC682-11681-00
6D	1990-98		REC90209-18112	REC90201-14377	REC634-11633-00	REC682-11681-00
6D MHL/HS	2001-06			REC90201-14377	REC634-11633-00	REC682-11681-00
6D WHS	2001		REC90209-18112	REC90201-14377	REC634-11633-00	REC682-11681-00
8C	1990-98	REC677-11651-00	REC90209-18112	REC90201-14377	REC634-11633-00	REC682-11681-00
8C	1990	REC677-11651-00	REC90209-18112	REC90201-14377	REC634-11633-00	REC682-11681-00
8C MHL/HS	2001-06	REC677-11651-00	REC90209-20159	REC90201-14377	REC634-11633-00	REC682-11681-00
8C MHX	2001-03	REC677-11651-00	REC90209-20159	REC90201-14377	REC634-11633-00	REC682-11681-00
8C WHL7HS	2001-02	REC677-11651-00	REC90209-20159	REC90201-14377	REC634-11633-00	REC682-11681-00
E8D	1997-98	REC6E0-11651-01	REC90209-18112	REC90201-14377	REC634-11633-00	REC682-11681-00
E8D MH	1999	REC6E0-11651-01	REC90209-18112	REC90201-14377	REC634-11633-00	REC682-11681-00
9.9D	1985-89	REC650-11651-00		REC90201-14377	REC634-11633-00	REC682-11681-00
9.9D	1985-95	REC6K4-11651-00		REC90201-14377	REC634-11633-00	REC682-11681-00
9.9D	1990-95	REC6K4-11651-00	REC90209-20159	REC90201-14377	REC634-11633-00	REC648-11681-00
9.9F	1995-99	REC648-11651-00	REC90209-20159	REC90201-14377	REC648-11633-00	REC682-11681-00
9.9F MH	2000	REC648-11651-00	REC90209-20M23	REC90201-14377	REC648-11633-00	REC682-11681-00
9.9F MHL	2001-06	REC648-11651-00	REC90209-20M23	REC90201-14377	REC648-11633-00	REC682-11681-00
9.9F MHS	2001-06	REC648-11651-00	REC90209-20M23	REC90201-14377	REC648-11633-00	REC682-11681-00
9.9F WC	2000	REC648-11651-00		REC90201-20M27	REC648-11633-00	REC682-11681-00
9.9F WH	2000	REC689-11651-00	REC90209-24M03	REC90201-20M27	REC689-11633-00	REC689-11681-00
9.9F WHL/HS	2001	REC689-11651-00	REC90209-24M03	REC90201-20M27	REC689-11633-00	REC689-11681-00
13.5A	1999	REC689-11651-00	REC90209-24M03	REC90201-20M27	REC689-11633-00	REC689-11681-00
13.5A MH	2000	REC689-11651-00	REC90209-24M03	REC90201-20M27	REC689-11633-00	REC689-11681-00
13.5A MHL	2001-04	REC689-11651-00	REC90209-24M03	REC90201-20M27	REC689-11633-00	REC689-11681-00
13.5A MHS	2001-04	REC689-11651-00		REC90201-14377	REC648-11633-00	REC648-11681-00
13.5A WH	2000	REC648-11651-00		REC90201-14377	REC648-11633-00	REC648-11681-00
15D	1985-89	REC648-11651-00		REC90201-14377	REC648-11633-00	REC648-11681-00
15D	1985-95	REC648-11651-00		REC90201-14377	REC648-11633-00	REC648-11681-00
15D	1990-95	REC648-11651-00		REC90201-14377	REC648-11633-00	REC648-11681-00
15F	1995-99	REC648-11651-00	REC90209-24M03	REC90201-20M27	REC689-11633-00	REC689-11681-00
15F MH	2000	REC689-11651-00	REC90209-24M03	REC90201-20M27	REC689-11633-00	REC689-11681-00
15F MHL/HS	2001-06	REC689-11651-00	REC90209-24M03	REC90201-20M27	REC689-11633-00	REC689-11681-00
13.5A MH	2000	REC689-11651-00	REC90209-24M03	REC90201-20M27	REC689-11633-00	REC689-11681-00
13.5A MHL	2001-04	REC689-11651-00	REC90209-24M03	REC90201-20M27	REC689-11633-00	REC689-11681-00
13.5A MHS	2001-04	REC689-11651-00		REC90201-14377	REC648-11633-00	REC648-11681-00
13.5A WH	2000	REC648-11651-00		REC90201-14377	REC648-11633-00	REC648-11681-00
15D	1985-89	REC648-11651-00		REC90201-14377	REC648-11633-00	REC648-11681-00
15D	1985-95	REC648-11651-00		REC90201-14377	REC648-11633-00	REC648-11681-00
15D	1990-95	REC648-11651-00		REC90201-14377	REC648-11633-00	REC648-11681-00
15F	1995-99	REC648-11651-00	REC90209-24M03	REC90201-20M27	REC689-11633-00	REC689-11681-00
15F MH	2000	REC689-11651-00	REC90209-24M03	REC90201-20M27	REC689-11633-00	REC689-11681-00
15F MHL/HS	2001-06	REC689-11651-00	REC90209-24M03	REC90201-20M27	REC689-11633-00	REC689-11681-00
15F WC	2000	REC689-11651-00	REC90209-24M03	REC90201-20M27	REC689-11633-00	REC689-11681-00
15F WCL	2001-03	REC689-11651-00	REC90209-24M03	REC90201-20M27	REC689-11633-00	REC689-11681-00
15F WCS	2001-02	REC689-11651-00	REC90209-24M03	REC90201-20M27	REC689-11633-00	REC689-11681-00
20C	1985-93	REC689-11651-00	REC90209-24M03	REC90201-20M27	REC689-11633-00	REC689-11681-00
20C	1986-02	REC648-11651-00		REC90201-20417	REC648-11633-00	REC648-11681-00
20C	1993	REC6F5-11651-00	REC90209-27M07	REC90201-20417	REC6F5-11633-00	REC66T-11681-00
20C M	1990-97	REC6F5-11651-00	REC90209-27M07	REC90201-20417	REC6F5-11633-00	REC66T-11681-00
20C MH	1998	REC6F5-11651-00	REC90209-27M07	REC90201-20417	REC6F5-11633-00	REC66T-11681-00
20C MHL	2001-02	REC6F5-11651-00	REC90209-27M07	REC90201-20417	REC6F5-11633-00	REC66T-11681-00
20C MHS	2001-02	REC6F5-11651-00	REC90209-27M07	REC90201-20417	REC6F5-11633-00	REC66T-11681-00
20D	1994-98	REC6F5-11651-00	REC90209-27M07	REC90201-20417	REC6F5-11633-00	REC66T-11681-00
20D MHOL	2001-06	REC6F5-11651-00	REC90209-27M07	REC90201-20417	REC6F5-11633-00	REC66T-11681-00
20D MHOS	2001-06	REC6F5-11651-00	REC90209-27M07	REC90201-20417	REC6F5-11633-00	REC66T-11681-00
20D WOL/OS	2006	REC6F5-11651-00	REC90209-27M07	REC90201-20417	REC6F5-11633-00	REC66T-11681-00
25B	1994-02	REC689-11651-00	REC90209-24M03	REC90201-20417	REC663-11633-00	REC689-11681-00
25B MHL/HS	2001-06	REC689-11651-00	REC90209-24M03	REC90201-20417	REC663-11633-00	REC689-11681-00
25B WCS	2001-02	REC689-11651-00	REC90209-24M03	REC90201-20417	REC663-11633-00	REC689-11681-00
25D	1985-01	REC648-11651-00		REC90201-20417	REC663-11633-00	REC648-11681-00
25D	1986-87	REC648-11651-00		REC90201-20417	REC663-11633-00	REC648-11681-00
25D M	1990-97	REC648-11651-00		REC90201-20417	REC663-11633-00	

MODELO MODEL MODELLO	AÑOS YEARS ANNI	BIELA CONNEC. ROAD BIELLA 	ARANDELA P. BIELA WASHER DOWN RONDELLA GIÙ BIELLA 	ARANDELA CA. BIELA WASHER UP RONDELLA SU BIELLA 	BULÓN PIN BULONE 	PASAD. PIE BIELA PIN DOW PASSO BIELLA 
25D MH	1998	REC648-11651-00				
25D MHL	2001	REC648-11651-00				
25D MHS	2001	REC648-11651-00				
25N	1994-98			REC90201-20417	REC6H3-11633-00	
25N MHOL/S	2001-06	REC689-11651-00		REC90201-20417	REC663-11633-00	
25N WOL/WOS	2001-03	REC689-11651-00		REC90201-20417	REC663-11633-00	
25V	1996-98	REC689-11651-00	REC90209-24M03	REC90201-20417	REC663-11633-00	REC689-11681-00
25V MHL/HS	2001	REC689-11651-00	REC90209-24M03	REC90201-20417	REC663-11633-00	REC689-11681-00
25V WCS	2001	REC689-11651-00	REC90209-24M03	REC90201-20417	REC663-11633-00	REC689-11681-00
30A	1985	REC689-11651-00	REC90209-24M03	REC90201-20417	REC663-11633-00	REC689-11681-00
30A M	1990-92	REC689-11651-00	REC90209-24M03	REC90201-20417	REC663-11633-00	REC689-11681-00
30D	1986-00	REC689-11651-00		REC90201-20417	REC663-11633-00	
30D EOL/EOS	2001-06	REC689-11651-00		REC90201-20417	REC663-11633-00	
30D ETOL	2001-06	REC689-11651-00		REC90201-20417	REC663-11633-00	
30D MHOL	2001-06	REC689-11651-00		REC90201-20417	REC663-11633-00	
30D MHOS	2001-05	REC689-11651-00		REC90201-20417	REC663-11633-00	
30D OL	2001-03	REC689-11651-00		REC90201-20417	REC663-11633-00	
30D EOS	2001-06			REC90201-23M01	REC6R5-11633-00	
40G/J	1986-89	REC6F5-11651-00	REC90209-27M11		REC6F5-11633-00	REC6F5-11681-00
40R ROS	2001			REC90201-23M01	REC6R5-11633-00	
40V	1994-99	REC6H4-11651-00		REC90201-23M01	REC6R5-11633-00	
40V EO	2000	REC6E5-11651-00		REC90201-23M01	REC6R5-11633-00	
40V EOL/EOS	2001-06			REC90201-23M01	REC6R5-11633-00	
40V ETO	2000	REC6E5-11651-00			REC6E5-11633-00	
40V ETOL	2001-03	REC6E5-11651-00				
40V ETOS	2001-03	REC6E5-11651-00				
40V MHOL	2001-06	REC6E5-11651-00			REC6E5-11633-00	
40V MHOS	2001-06			REC90201-23M01	REC6R5-11633-00	
40V MO	2000			REC90201-23M01	REC6R5-11633-00	
40V MOS	2002-05			REC90201-23M01	REC6R5-11633-00	
40X	1998	REC6F5-11651-00	REC90209-27M07	REC90201-23M01	REC6F5-11633-00	REC66T-11681-00
40X MH	2000	REC6F5-11651-00	REC90209-27M07	REC90201-23M01	REC6F5-11633-00	REC66T-11681-00
40X MHL	2001-06	REC6F5-11651-00	REC90209-27M07	REC90201-23M01	REC6F5-11633-00	REC66T-11681-00
40X MHS	2001-02	REC6F5-11651-00	REC90209-27M07	REC90201-23M01	REC6F5-11633-00	REC66T-11681-00
40X W	2000	REC6F5-11651-00	REC90209-27M07	REC90201-23M01	REC6F5-11633-00	REC66T-11681-00
40X WL	2001	REC6F5-11651-00	REC90209-27M07	REC90201-23M01	REC6F5-11633-00	REC66T-11681-00
40X WS	2001	REC6E5-11651-00	REC90209-27M07		REC6F5-11633-00	REC66T-11681-00
40X WT	2000	REC6E5-11651-00	REC90209-27M07	REC90201-23M01	REC6F5-11633-00	REC66T-11681-00
40X WTL	2001-03		REC90209-27M07	REC90201-23M01	REC6F5-11633-00	REC66T-11681-00
40Y ETOL	2001-06			REC90201-23M01	REC6R5-11633-00	
40Y MHOS	2001-06			REC90201-23M01	REC6R5-11633-00	
40GM,W,J	2003-04	REC6F5-11651-00	REC90209-27M07	REC90209-27M07	REC6F5-11633-00	REC6F5-11681-00
50D	1984-87			REC90201-23M01	REC6R5-11633-00	
50G	1993-98	REC6H4-11651-00	REC90209-24M03		REC648-11633-00	REC6G0-11681-00
50G ETO	2000	REC6E5-11651-00	REC90209-24M03	REC90201-23M01	REC648-11633-00	REC6G0-11681-00
50G ETOL	2001-06		REC90209-24M03	REC90201-23M01	REC648-11633-00	REC6G0-11681-00
50H	1994-99	REC6H4-11651-00	REC90209-24M03	REC90201-23M01	REC648-11633-00	REC6G0-11681-00
50H EDO	2000	REC6H4-11651-00	REC90209-24M03	REC90201-23M01	REC648-11633-00	REC6G0-11681-00
50H EDOL	2001-02	REC6H4-11651-00	REC90209-24M03	REC90201-23M01	REC648-11633-00	REC6G0-11681-00
50H EDOS	2001-02	REC6E5-11651-00	REC90209-24M03		REC648-11633-00	REC6G0-11681-00
50H MDO	2000	REC6E5-11651-00	REC90209-24M03	REC90201-23M01	REC648-11633-00	REC6G0-11681-00
50H MO	2000		REC90209-24M03	REC90201-23M01	REC648-11633-00	REC6G0-11681-00
55B	1993-98	REC688-11651-00		REC90201-23M01	REC6R5-11633-00	
70B ETOL	2001-06	REC6E5-11651-00		REC90201-23M01	REC6R5-11633-00	
75A	1993-98	REC688-11651-00		REC90201-23M01	REC6R5-11633-00	
75A E	1990-00	REC688-11651-00		REC90201-23M01	REC6R5-11633-00	
75A EDL	2001-06	REC688-11651-00		REC90201-23M01	REC6R5-11633-00	
75A EM	1992	REC688-11651-00		REC90201-23M01	REC6R5-11633-00	
75A ET	2000	REC688-11651-00				
75A ETL	2001-02	REC688-11651-00				
75A MHD	2000	REC688-11651-00				
75C	1998	REC688-11651-00				

MODELO MODEL MODELLO	AÑOS YEARS ANNI	BIELA CONNEC. ROD BIELLA 	ARANDELA P. BIELA WASHER DOWN RONDELLA GIÙ BIELLA 	ARANDELA CA. BIELA WASHER UP RONDELLA SU BIELLA 	BULÓN PIN BULONE 	PASAD. PIE BIELA PIN DOW PASSO BIELLA 
75C ETO	2000	REC688-11651-00				
75C ETOL	2001-06	REC688-11651-00				
80A	1985-96	REC688-11651-00				
85A	1996-98	REC688-11651-00				
85A E	1990-00	REC688-11651-00				
85A ET	2000	REC688-11651-00				
85A ETL	2001-02	REC688-11651-00				
90A	1984-98	REC688-11651-00				
90A ETO	2000-00	REC688-11651-00				
90A ETOL	2001-06	REC688-11651-00				
V4-V6 BULÓN 21.5		REC6E5-11651-00				
V4-V6 BULÓN 23						
E60 ELHB	2003					REC6K5-11681-00
E60HMHD	2003					REC6K5-11681-00
225 AET	1986				REC6E5-11633-00	
115 B	1988-90				REC6K7-11633-00	
115BE-T	1991-92				REC6K7-11633-00	
140 BETO	1988-89				REC6K7-11633-00	
150 AETO	1988-89				REC6K7-11633-00	
200-225 BETO	1990-92				REC6K7-11633-00	
175 BETO	1990-92				REC6K7-11633-00	



JUNTA DE CULATA GASKET CYLINDER HEAD GUARNIZIONE TESTATA

Ref. R.O.
REC6F8-11181-A0 6F8-11181-A1

MOTORES / ENGINES / MOTORI
2CMH (2010)



Ref. R.O.
REC677-11181-A0 677-11181-A1

MOTORES / ENGINES / MOTORI
E8D/DMH (1997-03)



Ref. R.O.
REC63V-11181-A1 63V-11181-A1

MOTORES / ENGINES / MOTORI
9.9F/MH/MSH
E9.9D
15F/FMH/MSH
E15D
13.5 AWH/AMH (1995+)



Ref. R.O.
REC6E7-11181-00 6E7-11181-A2

MOTORES / ENGINES / MOTORI
9.9D
15D (1988-96)



Ref. R.O.
REC6L2-11181-A1 6L2-11181-A3

MOTORES / ENGINES / MOTORI
20D/M
25D/M/N (1988+)



Ref. R.O.
REC695-11181-00 695-11181-A1

MOTORES / ENGINES / MOTORI
20C
25D (1986-02)



Ref. R.O.
REC6H 81-A0 6H3-11181-A2

MOTORES / ENGINES / MOTORI
25B
50G
60T
E60
60FE
70B/ET/CE (1984+)



Ref. R.O.
REC6H4-11181-00 6H4-11181-A2

MOTORES / ENGINES / MOTORI
25Q
40N/H
50E/D (1984-94)



Ref. R.O.
REC61N-11181-00 61N-11181-A2

MOTORES / ENGINES / MOTORI
25VE/VM
E25A/BMH
30G
E30HMH/H (1996-12)



Ref. R.O.
REC689-11181-00 689-11181-A2

MOTORES / ENGINES / MOTORI
30A (1990-92)



Ref. R.O.
REC6J8-11181-00 6J8-11181-A2

MOTORES / ENGINES / MOTORI
30D
25J (1986+)



Ref. R.O.
REC6F5-11181-A2 6F5-11181-A2

MOTORES / ENGINES / MOTORI
40GWH/JWH
E40GMH/JMH (2003)



Ref. R.O.
REC63D-11181-A1 63D-11181-A2

MOTORES / ENGINES / MOTORI
40V
C40/EL/TLR/Y
50H/TLR/TR
(1995+)



Ref. R.O.
REC6R7-11181-A0 6R7-11181-A1

MOTORES / ENGINES / MOTORI
40G (1993)



Ref. R.O.
REC676-11181-01 676-11181-A2

MOTORES / ENGINES / MOTORI
40QE/QM/QWC (1990-98)



Ref. R.O.
REC66T-11181-00 66T-11181-A0

MOTORES / ENGINES / MOTORI
40X
E40X/M (1998-09)



Ref. R.O.
REC697-11181-A1 697-11181-A2

MOTORES / ENGINES / MOTORI
E55CMH
E48CMH
55BET
55B/BE/BM (1990-05)



Ref. R.O.
REC688-11181-A1 688-11181-A2

MOTORES / ENGINES / MOTORI
75A/AE/CET
80A/AE
85A/AE
90A/AE/TR (1986-14)



Ref. R.O.
REC6E5-11181-A0 6E5-11181-A2

MOTORES / ENGINES / MOTORI
100A
115A/E/B/C
C115T 130B
140A (1984+)



Ref. R.O.
REC6G5-11181-A2 6G5-11181-A3

MOTORES / ENGINES / MOTORI
150A/E/C/AET
175AET/B/D
200AET/B/C/FETGE
225AET/BETO/D



Ref. R.O.
REC60V-11181-00 60V-11181-00

MOTORES / ENGINES / MOTORI
Z250
VZ250
LZ250 (2003-07)



Ref. R.O.
REC68F-11181-00 68F-11181-00

MOTORES / ENGINES / MOTORI
ZVZ/LZ200 (2001-07)
ZVZ/LZ150 (2000-07)
ZVZ175 (2001-07)



Ref.	R.O.
REC6D0-11181-00	6D0-11181-00

MOTORES / ENGINES / MOTORI
VZ/LZ/Z300 (2004-007)



4 TIEMPOS
STROKES

JUNTA DE CULATA
GASKET CYLINDER HEAD
GUARNIZIONE TESTATA

Ref.	R.O.
PAF2.6-04000001	69M-11181-00

MOTORES / ENGINES / MOTORI
F2.5 (2003+)



Ref.	R.O.
PAF4-04000014	67D-11181-A0

MOTORES / ENGINES / MOTORI
F4 (1998-2009)



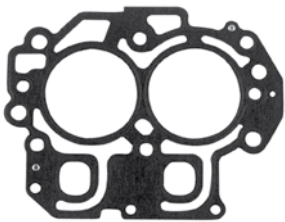
Ref.	R.O.
REC6G8-11181-A1	6G8-11181-A1

MOTORES / ENGINES / MOTORI
F8/9.9 (1985-96)



Ref.	R.O.
PAF15-07000100	66M-11181-10

MOTORES / ENGINES / MOTORI
F9.9/13.5/15 (1998-08)



Ref.	R.O.
REC6AG-11181-00	6AG-11181-00

MOTORES / ENGINES / MOTORI
F9.9/15/20 (2007+)



Ref.	R.O.
REC6BL-11181-00	6BL-11181-00

MOTORES / ENGINES / MOTORI
F20/25
FT25
T25 (2009+)



Ref.	R.O.
PAF25-05040000	65W-11181-30

MOTORES / ENGINES / MOTORI
F20/25
T25
F45/50 (1998-09)



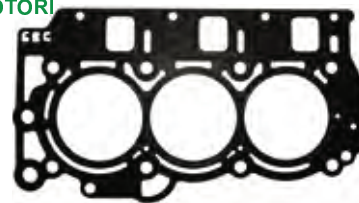
Ref.	R.O.
REC67C-11181-01	67C-11181-01

MOTORES / ENGINES / MOTORI
F30/40 (2000-09)



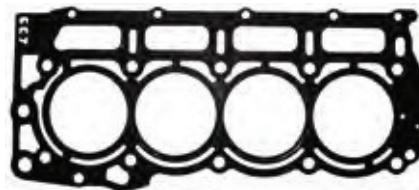
Ref.	R.O.
REC6BG-11181-00	6BG-11181-00

MOTORES / ENGINES / MOTORI
F30/40 (2009+)



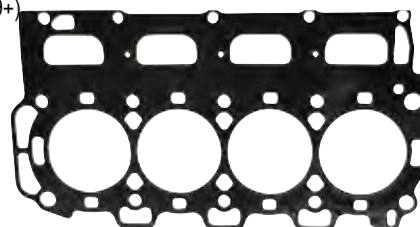
Ref.	R.O.
REC6CJ-11181-00	6CJ-11181-00

MOTORES / ENGINES / MOTORI
F40GE/70 (2011+)



Ref.	R.O.
REC67F-11181-03	67F-11181-03

MOTORES / ENGINES / MOTORI
F75/80/100/115 (1999+)



Ref.	R.O.
REC63P-11181-00	63P-11181-00

MOTORES / ENGINES / MOTORI
F150
FL150 (2004+)



Ref.	R.O.
REC6P2-11182-00	6P2-11182-00 (PORT)

MOTORES / ENGINES / MOTORI
F200/225/250
FL-LF 200/225/250 (2006-13)



Ref. R.O.
REC6P2-11181-00 6P2-11181-00 (STB)

MOTORES / ENGINES / MOTORI
F200/225/250
FL-LF 200/225/250 (2006-13)



Ref. R.O.
REC69J-11182-03 69J-11182-03 (PORT)

MOTORES / ENGINES / MOTORI
F200/225
FL200/225 (2002-07)



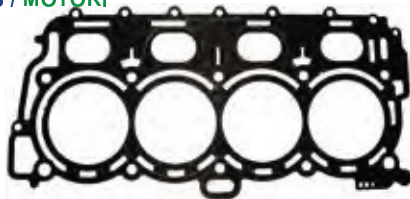
Ref. R.O.
REC69J-11181-03 69J-11181-03 (STB)

MOTORES / ENGINES / MOTORI
F200/225
FL200/225 (2002-07)



Ref. R.O.
REC6DA-11181-00 6DA-11181-00

MOTORES / ENGINES / MOTORI
F175/200
FL200 (2013+)



Ref. R.O.
REC6CB-11181-00 6CB-11181-00

MOTORES / ENGINES / MOTORI
F225/250/300
LF-FL225/250/300 (2011+)



Ref. R.O.
REC6AW-11181-00 6AW-11181-00 (PORT)

MOTORES / ENGINES / MOTORI
F300/FL300 (2008+)



Ref. R.O.
REC6AW-11182-00 6AW-11182-00 (STB)

MOTORES / ENGINES / MOTORI
F300
FL300 (2008+)



2
TIEMPOS
STROKES

KIT DE JUNTA DE CULATA
GASKET KITS
KIT GUARNIZIONI TESTATA

Ref. R.O.
REC63V-W0001-00 63V-W0001-01

MOTORES / ENGINES / MOTORI
9.9-15F/FMH/FEMH/MSH (1995-00)
13.5AWH (1998)



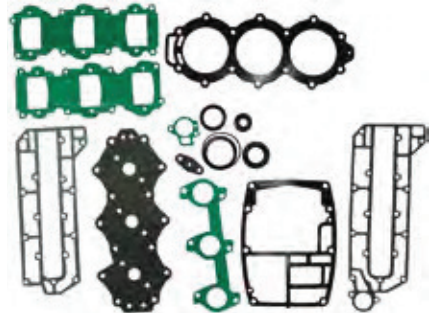
Ref. R.O.
REC61T-W0001-02 61T-W0001-02

MOTORES / ENGINES / MOTORI
E25A, 25VM, 30G/GE/A



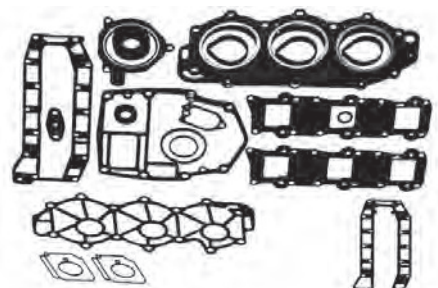
Ref. R.O.
REC6H3-W0001-02 6H3-W0001-02

MOTORES / ENGINES / MOTORI
25B/BETO (1994-95)
50G/GEO/GETOL (1994-98)
60FEO/FETO/FEDO/TLR/FEHTO/TR (1994-2007)



Ref. R.O.
REC6H4-W0001-04 6H4-W0001-04

MOTORES / ENGINES / MOTORI
25QEO (1992-94)
40HE (1992-94)
50DE/DEMTO (1992-94)



YAMAHA

RECAMBIOS
MARINOS S.L.

Ref.	R.O.
REC6L2-W0001-03	6L2-W0001-A2

MOTORES / ENGINES / MOTORI
 25NE (1988-93) 25NEMO (1991-92)
 20DM (1988-93) 20D/DEO (1989-92)

Ref.	R.O.
REC695-W0001-A2	695-W0001-01

MOTORES / ENGINES / MOTORI
 25D/DE (1985-92)
 20CM/C (1985-92)

Ref.	R.O.
REC6R6-W0001-02-00-00	6R6-W0001-02

MOTORES / ENGINES / MOTORI
 40QE-2 (1995-97)
 40QM (1996)
 40QWC (1998)

Ref.	R.O.
REC66T-W0001-01	66T-W0001-01

MOTORES / ENGINES / MOTORI
 E40X/XMH/XW/
 MLHZ (2001-13)

Ref.	R.O.
REC6H4-W0001-A1	6H4-W0001-01

MOTORES / ENGINES / MOTORI
 40N (1984)
 40H (1985-98)
 50D (1985-98)
 50ETN (1984)

Ref.	R.O.
REC63D-W0001-00	63D-W0001-00

MOTORES / ENGINES / MOTORI
 50H/HRDO/HMDH/HETO (1995-03)
 40V/VMH/VETO/MLH/MHO/VE/VEO (1995-13)
 40VEMHD/TLRZ/YETO (1997-07)
 C40T/TLR (1995-02)

Ref.	R.O.
REC697-W0001-02	697-W0001-A0

MOTORES / ENGINES / MOTORI
 55BET (1990)

Ref.	R.O.
REC6K5-W0001-02	6K5-W0001-02

MOTORES / ENGINES / MOTORI
 E60H/MHZ/HE/HM (1996-02)

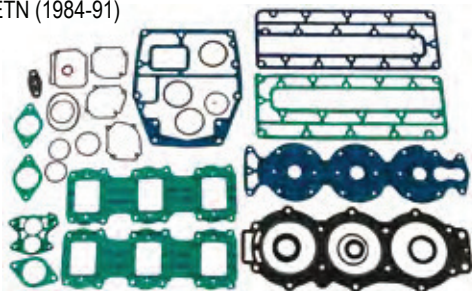
Ref.	R.O.
REC688-W0001-A0	688-W0001-A0

MOTORES / ENGINES / MOTORI
 75A/AE (1990-91)
 85A/AE (1990-91)

Ref. R.O.
REC6H1-W0001-00 6H1-W0001-A1

MOTORES / ENGINES / MOTORI

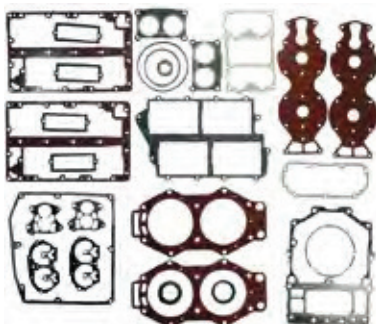
80A/AE (1984-91)
 80AEO (1992-93)
 90A/AEO/AETO/ETN (1984-91)
 90AEO (1992)



Ref. R.O.
REC6E5-W0001-A2 6E5-W0001-A2

MOTORES / ENGINES / MOTORI

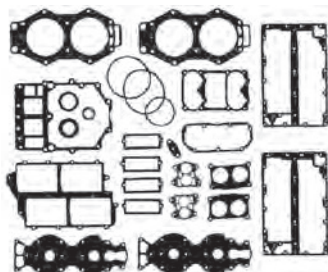
L130BETO (1991-99)
 115CEO/CETO (1991-96)
 100A/AETO/TLR (1996-00)



Ref. R.O.
REC6F3-W0001-04-00 6F3-W0001-A4

MOTORES / ENGINES / MOTORI

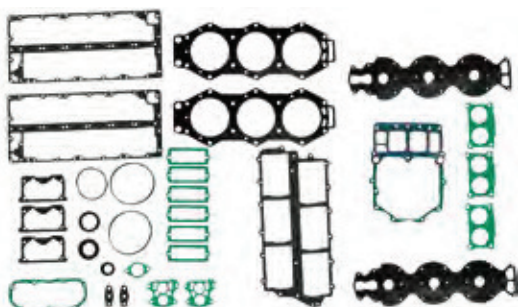
115BETO (1991-93)
 115B (1988-00)
 115ETN (1984)
 115A (1987)
 140AETO/BETO (1984-89)
 115BE (1992)



Ref. R.O.
REC6R3-W0001-03 6R3-W0001-A3

MOTORES / ENGINES / MOTORI

L/150 CETO (1990-95) L200ETD (1990)
 L/200 BETO (1993-95) 150CED/ETD (1990)
 175BETO/ET (1990-95) 200ET (1990)



Ref. R.O.
REC68F-W0001-01 68F-W0001-01

MOTORES / ENGINES / MOTORI

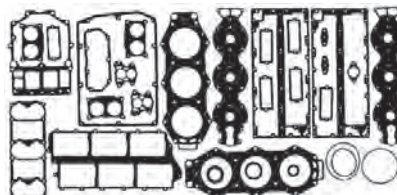
LZ200 (2204-10)
 VZ200 (2004)
 Z200 (2004-10)
 Z
 VZ200TLRC/PETO/TLR2D/PETOL/TXRC/
 NETO-L/TR/NETOX/Z175GETO/GETOX/TR/TXR (2004-07)



Ref. R.O.
REC6G5-W0001-A3 6G5-W0001-03

MOTORES / ENGINES / MOTORI

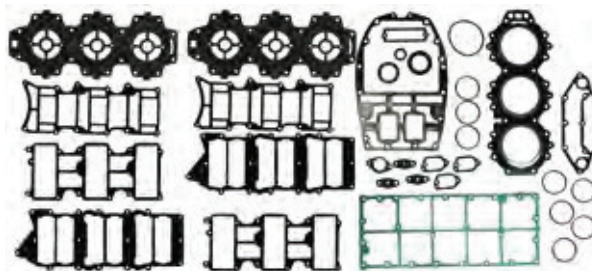
200CETO (1992-93)
 PROV200 (1991-94)
 225BET/BETO (1991-95)
 150A/AETO/AETL/AETX (1998-02)



Ref. R.O.
REC61A-W0001-01 61A-W0001-A1

MOTORES / ENGINES / MOTORI

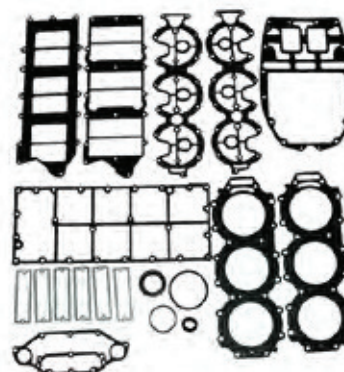
250ETD (1990)
 250AETO/AET/B (1990-96)
 L250A/AET/AETO (1992-96)
 225C (1994-95)
 L225CETO (1994)

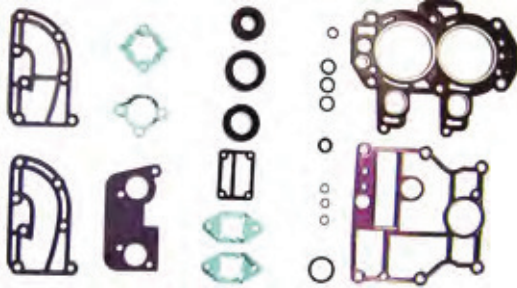
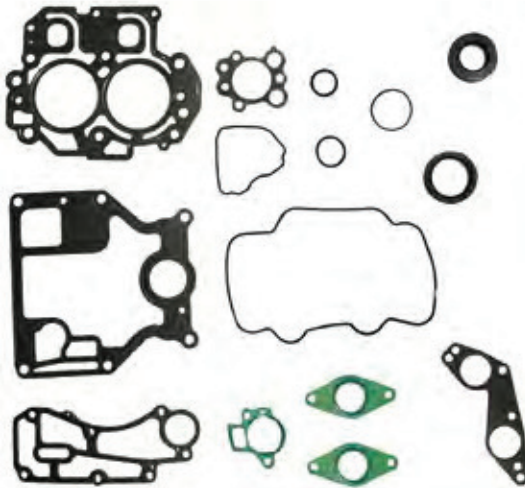
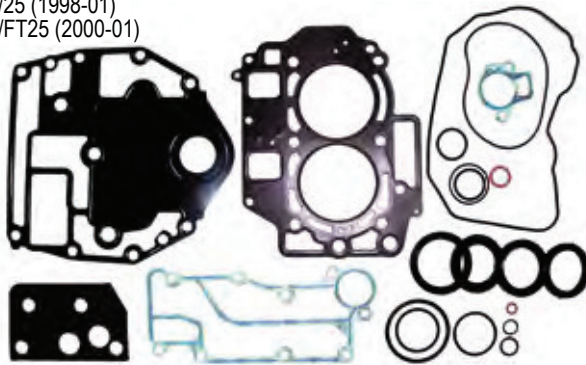
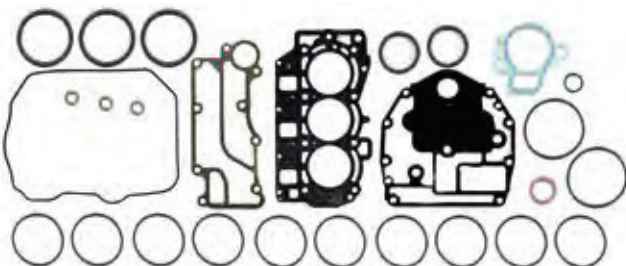
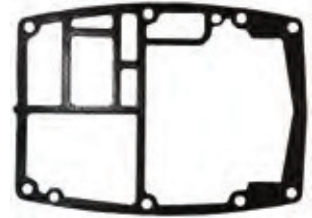
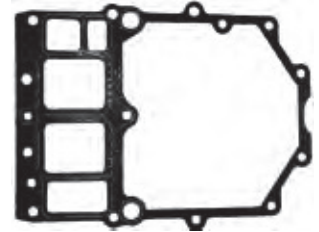


Ref. R.O.
REC6D0-W0001-00 6D0-W0001-00

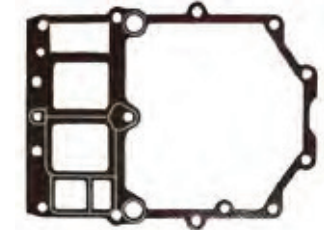
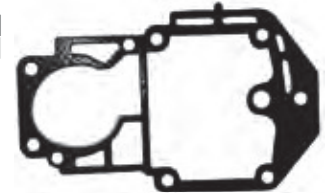
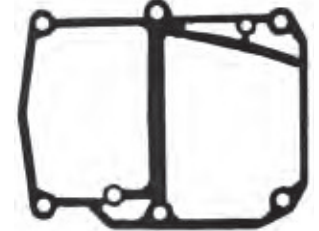
MOTORES / ENGINES / MOTORI

Z300AETO/TR
 LZ300AETO/TR (2004-07)

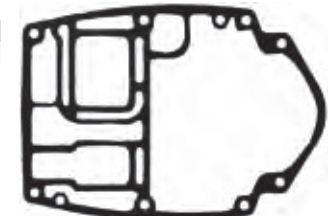


4
STROKES
TIEMPOS**KIT DE JUNTA DE CULATA
GASKET KITS
KIT GUARNIZIONI TESTATA**Ref. R.O.
REC6G8-W0001-A3 6G8-W0001-A3**MOTORES / ENGINES / MOTORI**F9.9 (1996-99)
F8BM (1996-99)Ref. R.O.
REC66M-W0001-01 66M-W0001-01**MOTORES / ENGINES / MOTORI**F15 (2001-04) FT 9.9/T9.9 (2001-04)
F13.5 (2002-04) F9.9 (2001-04)Ref. R.O.
REC65W-W0001-00 65W-W0001-00**MOTORES / ENGINES / MOTORI**F20/25 (1998-01)
T25/FT25 (2000-01)Ref. R.O.
REC67C-W0001-01 67C-W0001-00/01**MOTORES / ENGINES / MOTORI**F30 ALL
F40ALL (2000-09)**2**
STROKES
TIEMPOS**JUNTA BASE MOTOR
GASKET CYLINDER
GUARNIZIONI BASE MOTORI**Ref. R.O.
REC6E0-45113-A1 6E0-45113-A1**MOTORES / ENGINES / MOTORI**4A/AC/AS/MSH
5C/CS/CMHRef. R.O.
REC6H3-45113-00 6H3-45113-A0**MOTORES / ENGINES / MOTORI**60FE/TLR/F,
50G/GE
E60H
70B/BE/CE/TRRef. R.O.
REC6G5-45113-A1 6G5-45113-A2**MOTORES / ENGINES / MOTORI**115ETN/A/B
130BE
150ETN/AET/CET/F/TXR/G
140AET/BET
175AET/BET/DE
150BET
200ETN/AET/CET/BET/AF/G
220AET
225AET/BET/DRef. R.O.
REC6F5-45113-A0 6F5-45113-A0**MOTORES / ENGINES / MOTORI**

E40G/E40J/40G/40J/40Q

Ref. R.O.
REC6E5-45113-A2 6E5-45113-A0**MOTORES / ENGINES / MOTORI**115B/ET
140AE/BERef. R.O.
REC61T-45113-A0 61T-45113-A0**MOTORES / ENGINES / MOTORI**25VE/BMH
30G/HWRef. R.O.
REC63V-45113-A1 63V-45113-A1**MOTORES / ENGINES / MOTORI**9.9FEM/F/MSH/FMH/MH
13.5 AW/AMH
15F/FEM/MSH/FMH/MHRef. R.O.
REC66T-45113-A0 66T-45113-A0**MOTORES / ENGINES / MOTORI**

40X/E40X



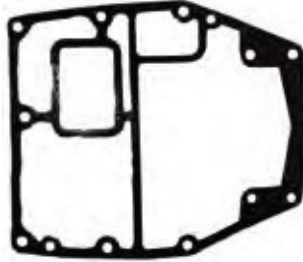
Ref.	R.O.
REC677-45113-A0	

MOTORES / ENGINES / MOTORI
E8D/DMH



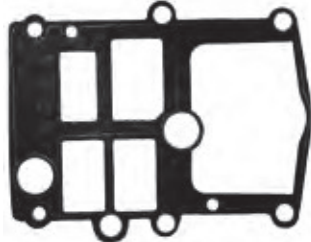
Ref.	R.O.
REC688-45113-A0	688-45113-A0

MOTORES / ENGINES / MOTORI
75A/AE/CE/TL
85A/AE
80A/AE
90A/AE/ETN



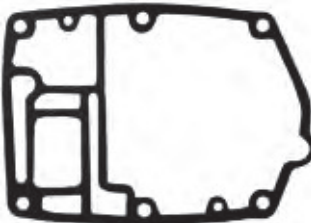
Ref.	R.O.
REC682-11351-A0	682-11351-A0

MOTORES / ENGINES / MOTORI
9.9D
15D



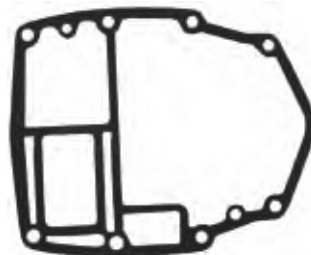
Ref.	R.O.
REC6J8-45113-00	6J8-45113-A0

MOTORES / ENGINES / MOTORI
25J
30D/DMH/DE/E/M



Ref.	R.O.
REC6H4-45113-00	6H4-45113-A0

MOTORES / ENGINES / MOTORI
25Q
40N/H/E/V/T/Y
50D/H/T



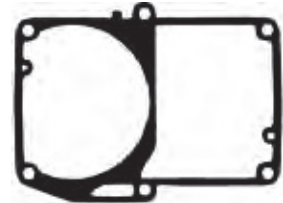
Ref.	R.O.
REC696-45113-00	696-45113-A0

MOTORES / ENGINES / MOTORI
55B/E55
E48



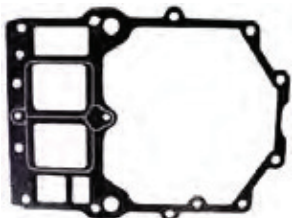
Ref.	R.O.
REC6L2-45113-A2	6L2-45113-A1

MOTORES / ENGINES / MOTORI
20D
25D/N/M



Ref.	R.O.
REC68F-45113-01	68F-45113-01

MOTORES / ENGINES / MOTORI
Z/VZ150 150F/A
Z/ VZ175 Z200
VZ-Z200/200A/F/J

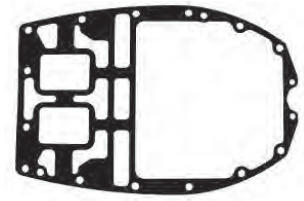


Ref.	R.O.
REC6G1-45113-A1	6G1-45113-A1

MOTORES / ENGINES / MOTORI
8N/C/J/T/M
6C/J/D/T/M



Ref.	R.O.
REC60V-45113-02	60V-45113-02



Ref.	R.O.
REC61A-45113-A0	61A-45113-A0

MOTORES / ENGINES / MOTORI
Z/VZ250
Z300



Ref.	R.O.
REC6AH-11351-00	6AH-11351-00

MOTORES / ENGINES / MOTORI
F9.9 (2009-13)
F13.5 (2007-09)
F15 (2007-13)
F20 (2007-13)



4 TIEMPOS
STROKES **JUNTA BASE MOTOR**
GASKET CYLINDER
GUARNIZIONI BASE MOTORI

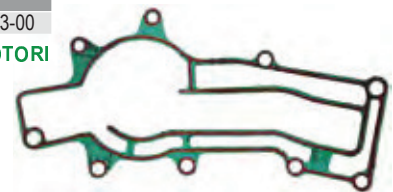
Ref.	R.O.
PAF2.6-00000003	69M-45113-A0

MOTORES / ENGINES / MOTORI
F2.5



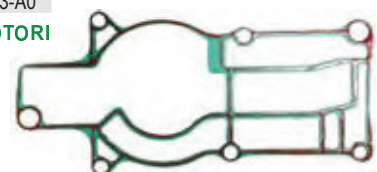
Ref.	R.O.
PAF6-00000001	6BX-45113-00

MOTORES / ENGINES / MOTORI
F4/F5/F6



Ref.	R.O.
PAF4-00000006	67D-45113-A0

MOTORES / ENGINES / MOTORI
F4



Ref.	R.O.
PAF15-00000014	66M-11351-10

MOTORES / ENGINES / MOTORI
T/FT9.9
F9.9
F15
F13.5



Ref.	R.O.
REC6G8-11351-A0	6G8-11351-A0

MOTORES / ENGINES / MOTORI
T/FT 9.9
F9.9
F8



Ref.	R.O.
PAF25-00000013	65W-11351-10

MOTORES / ENGINES / MOTORI
F20
F25
T/FT25



Ref.	R.O.
REC6AH-11351-00	6AH-11351-01

MOTORES / ENGINES / MOTORI
F9.9
F13.5
F15
F20



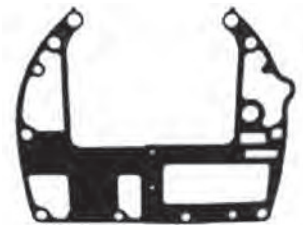
Ref.	R.O.
REC67C-11351-00	67C-11351-01

MOTORES / ENGINES / MOTORI
F40
T/FT50
F50



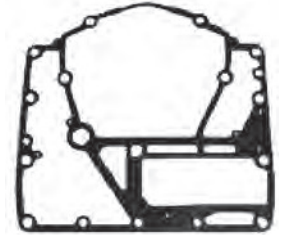
Ref.	R.O.
REC68V-11351-00	68V-11351-00

MOTORES / ENGINES / MOTORI
F75
F80
F90



Ref.	R.O.
REC63P-11351-01	63P-11351-01

MOTORES / ENGINES / MOTORI
F150
F175
F200



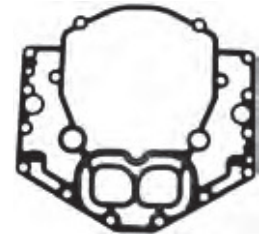
Ref.	R.O.
REC69J-11351-11	69J-11351-11

MOTORES / ENGINES / MOTORI
F200
F225
F250



Ref.	R.O.
REC6AW-11351-00	

MOTORES / ENGINES / MOTORI
F300
F350



GUÍA JUNTAS MOTOR ENGINE GASKET GUIDE GUIDA GUARNIZIONE MOTORE

MODELO MODEL MODELLO	AÑO YEAR ANNO	CIL. CYL. CIL.	JUNTA CULATA GASKET CYL. HEAD GUARNIZIONE TESTATA	KIT JUNTAS SUP. MOTOR GASKET ENGINE KIT GUARN. PARTE ALTA MOTORE	JUNTA BASE MOTOR GASKET CYLINDER GUARN. PARTE BASSA MOTORE
2CMH	2010	1	REC6F8-11181-A0		
E8D/DMH	1997-03	2	REC677-11181-A0		REC677-45113-A0
9.9D	1988-96	2	REC6E7-11181-00	REC6E7-W0001-A1	
9.9F/FM/MSH/E9.9D	1995+	2	REC63V-11181-A1	REC63V-W0001-00	REC63V-45113-A1
13.5AWH/AMH	1995+	2	REC63V-11181-A1	REC63V-W0001-00	REC63V-45113-A1
15D	1988-95	2	REC6E7-11181-00	REC6E7-W0001-A1	
15F/FMH/MSH/E15D	1995+	2	REC63V-11181-A1	REC63V-W0001-00	REC63V-45113-A1
20C	1986-02	2	REC695-11181-00	REC695-W0001-A2	REC61T-45113-A0
20D/20DM	1988+	2	REC6L2-11181-A1	REC6L2-W0001-03	REC6L2-45113-A2
25DE/M/N	1998+	2	REC6L2-11181-A1	REC6L2-W0001-03	REC6L2-45113-A2
25DE/M/N	1986-02	2	REC695-11181-00	REC695-W0001-A2	REC61T-45113-A0
25VE/VM/BMH/E25A	1996-12	2	REC61N-11181-00	REC61T-W0001-02	REC61T-45113-A0
25Q/QEO	1990-94	3	REC6H4-11181-00	REC6H4-W0001-A1	REC6H4-45113-00
25J/JEO/JETO	1987 -99	3	REC6J8-11181-00		REC6J8-45113-00
25B/BETO	1994-95	3	REC6H3-11181-A0	REC6H3-W0001-02	REC6H3-45113-00
25B/BMH	1996-10	2	REC61N-11181-00	REC61T-W0001-02	REC61T-45113-A0
30A	1990-92	2	REC689-11181-00	REC61T-W0001-02	REC61T-45113-A0
30G/E30HMH/H	1996-12	2	REC61N-11181-00		REC61T-45113-A0
30D	1986+	3	REC6J8-11181-00		REC6J8-45113-00
40QE/QM/QWC	1990-98	2	REC676-11181-01	REC6R6-W0001-02-00	REC6F5-45113-A0
40N/H	1984-94	3	REC6H4-11181-00	REC6H4-W0001-A1	REC6H4-45113-00
40G	1993	2	REC6R7-11181-A0	REC6R6-W0001-02-00	REC6F5-45113-A0
40X/E40/M/X	1998+	2	REC66T-11181-00	REC66T-W0001-01	REC66T-45113-A0
40/E40GMH/JMH	2003	2	REC6F5-11181-A2		REC6F5-45113-A0
40V/C40/EL/TLR/Y-YE	1995 +	3	REC63D-11181-A1	REC63D-W0001-00	REC6H4-45113-00
E48	2003	2	REC697-11181-A1	REC697-W0001-02	REC696-45113-00
50H/TLR/TR	1995 +	3	REC63D-11181-A1	REC63D-W0001-00	REC6H4-45113-00
50G/GEO/GETO	1993-02	3	REC6H3-11181-A0	REC6H3-W0001-02	REC6H3-45113-00

MODELO MODEL MODELLO	AÑO YEAR ANNO	CIL. CYL. CIL.	JUNTA CULATA GASKET CYL. HEAD GUARNIZIONE TESTATA	KIT JUNTAS SUP. MOTOR GASKET ENGINE KIT GUARN. PARTE ALTA MOTORE	JUNTA BASE MOTOR GASKET CYLINDER GUARN. PARTE BASSA MOTORE
50E/D	1984-94	3	REC6H4-11181-00	REC6H4-W0001-A1	REC6H4-45113-00
55B/E55	1990-05	2	REC697-11181-A1	REC697-W0001-02	REC697-45114-00
60FE/T/E60	1984+	3	REC6H3-11181-A0	REC6H3-W0001-02	REC6H3-45113-00
70B/ET/CE	1984+	3	REC6H3-11181-A0	REC6H3-W0001-02	REC6H3-45113-00
70A/AE/CET	1986+	3	REC688-11181-A1	REC688-W0001-02	REC688-45113-A0
80A/AE	1986+	3	REC688-11181-A1	REC688-W0001-02	REC688-45113-A0
85A/AE	1986+	3	REC688-11181-A1	REC688-W0001-02	REC688-45113-A0
90A/AE/TR	1986+	3	REC688-11181-A1	REC688-W0001-02	REC688-45113-A0
100A	1984+	4	REC6E5-11181-A0	REC6E5-W0001-A2	REC6E5-45113-A2
115A/B/E/C/C115T	1984+	4	REC6E5-11181-A0	REC6E5-W0001-A2	REC6E5-45113-A2
130B	1984+	4	REC6E5-11181-A0	REC6E5-W0001-A2	REC6E5-45113-A2
140A	1984+	4	REC6E5-11181-A0	REC6E5-W0001-A2	REC6E5-45113-A2
LZ150/VZ150/Z150	2004-05	6	REC68F-11181-00	REC68F-W0001-01	REC68F-45113-01
150A/E/C/FET	1984-10	6	REC6G5-11181-A2	REC6G5-W0001-A3	REC6G5-45113-A1
VZ175/Z175	2004-10	6	REC68F-11181-00	REC68F-W0001-01	REC68F-45113-01
175D/B/AET	1984-10	6	REC6G5-11181-A2	REC6G5-W0001-A3	REC6G5-45113-A1
LZ200/VZ200/Z200	2004-10	6	REC68F-11181-00	REC68F-W0001-01	REC68F-45113-01
200B/C/AET/GE/FET	1984+	6	REC6G5-11181-A2	REC6G5-W0001-A3	REC6G5-45113-A1
225D/BET/AET	1984+	6	REC6G5-11181-A2	REC6G5-W0001-A3	REC6G5-45113-A1
225C/G	1990+	6	REC61A-11181-A0	REC61A-W0001-01	REC61A-45113-A0
250A/E/B	1990-06	6	REC61A-11181-A0	REC61A-W0001-01	REC61A-45113-A0
Z-LZ250DET/TUR/TR	2003-07	6	REC60V-11181-00		REC60V-45113-02
250TR/FET/HETO	2003-07	6	REC60V-11181-00		REC60V-45113-02
V250TLR/TR	2003+	6	REC60V-11181-00		REC60V-45113-02
Z-LZ300	2004-07	6	REC6D0-11181-00	REC6D0-W0001-00	REC60V-45113-02



GUÍA JUNTAS MOTOR ENGINE GASKET GUIDE GUIDA GUARNIZIONE MOTORE

MODELO MODEL MODELLO	AÑO YEAR ANNO	CIL. CYL. CIL.	JUNTA CULATA GASKET CYL. HEAD GUARNIZIONE TESTATA	KIT JUNTAS SUP. MOTOR GASKET ENGINE KIT GUARN. PARTE ALTA MOTORE	JUNTA BASE MOTOR GASKET CYLINDER GUARN. PARTE BASSA MOTORE
F2.6A/M	2003+	1	PAF2.6-04000001		PAF2.6-00000003
F4A/M	1998+	1	PAF4-04000014		PAF4-00000006
F8A/B	1985-99	2	REC6G8-11181-A1	REC6G8-W0001-A3	REC6G8-11351-A0
F9.9A/B	1985-99	2	REC6G8-11181-A1	REC6G8-W0001-A3	REC6G8-11351-A0
F9.9C	2001-07	2	PAF15-07000100	REC66M-W0001-01	PAF15-00000014
F9.9H	2008+	2	REC6AG-11181-00		REC6AH-11351-00
FT9.9D, F13.5 A	2001-07	2	PAF15-07000100	REC66M-W0001-01	PAF15-00000014
F13.5B, F15C/E/M	2008+	2	REC6AG-11181-00		REC6AH-11351-00
F15A/E/M/P	2001-07	2	PAF15-07000100	REC66M-W0001-01	PAF15-00000014
F20B/E/M	2008+	2	REC6AG-11181-00		REC6AH-11351-00
F20D	2011+	2	REC6BL-11181-00		
F20A	1998+	2	PAF25-05040000	REC65W-W0001-00	PAF25-00000013
T25/F25A/A/E/M	1998-09	2	PAF25-05040000	REC65W-W0001-00	PAF25-00000013
T25/F25D/M/F	2009+	2	REC6BL-11181-00		
F30A/E/TR, F40B/E/TR	2000-09	3	REC67C-11181-01	REC67C-W0001-01	REC67C-11351-00
F30B, F40F	2009+	3	REC6BG-11181-00		
F40G, F70A	2011+	4	REC6CJ-11181-00		
F80A/B/C/TLR	1999+	4	REC67F-11181-03		REC68V-11351-00
F100A/B/D/TLR	1999+	4	REC67F-11181-03		REC68V-11351-00
F115A/TX/TLR	2000+	4	REC67F-11181-03		REC68V-11351-00
F150A/T/B	2004+	4	REC63P-11181-00		REC63P-11351-01
F17A	2014	4	REC6DA-11181-00		REC63P-11351-01
F200A/TX/TR/	2002-07	6	REC69J-11181-03 REC69J-11182-03		REC69J-11351-11
F200A/C, F225A/B/C	2007+	6	REC6P2-11181-00 REC6P2-11182-00		REC69J-11351-11
F200B/F/G/CA	2013+	4	REC6DA-11181-00		REC63P-11351-01
F225A/TR/TX/TUR	2002-07	6	REC69J-11181-03 REC69J-11182-03		REC69J-11351-11
F225CA/F, F250CA/D	2011+	6	REC6CB-11181-00		
F250A/B/T	2009+	6	REC6P2-11181-00 REC6P2-11182-00		REC69J-11351-11
F300A/TR, F350A/C/T	2008+	8	REC6AW-11181-00 REC6AW-11182-00		REC6AW-11351-00
F300B/CA	2011+	6	REC6CB-11181-00		

YAMAHA

RECAMBIOS
MARINOS S.L.

JUNTAS TAPA REFRIGERACIÓN GASKETS, EXHAUST INNER COVER GUARNIZIONE COPERCHIO REFRIGERAZIONE

Ref.	R.O.
REC6E0-41114-A1	6E0-41114-A1

MOTORES / ENGINES / MOTORI
4AC/AS/MSH
5C/CS



Ref.	R.O.
REC6E0-41112-A1	6E0-41112-A1

MOTORES / ENGINES / MOTORI
4AC/AS/MSH
5C/CS



Ref.	R.O.
REC6G1-41112-A1	66G1-41112-A1

MOTORES / ENGINES / MOTORI
6C/T/M/D
8C/M/T



Ref.	R.O.
REC6G1-41114-A0	6G1-41114-A0

MOTORES / ENGINES / MOTORI
6C/T/M/D
8C/M/T



Ref.	R.O.
REC6G1-11193-A1	6G1-11193-A1

MOTORES / ENGINES / MOTORI
6C/M/T/D
8C/M/T



Ref.	R.O.
REC6G8-41112-02	6G8-41112-02

MOTORES / ENGINES / MOTORI
F8B
F9.9A/B
T9.9E



Ref.	R.O.
REC6G8-41114-00	6G8-41114-00

MOTORES / ENGINES / MOTORI
F8B
F9.9A/B
T9.9E



Ref.	R.O.
REC677-41112-A0	677-41112-A0

MOTORES / ENGINES / MOTORI
E8D/DMH



Ref.	R.O.
REC677-41112-A0	677-41114-A0

MOTORES / ENGINES / MOTORI
E8D/DMH



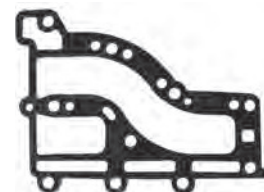
Ref.	R.O.
REC682-41114-00	682-41114-A1

MOTORES / ENGINES / MOTORI
9.9D
15D



Ref.	R.O.
REC682-41112-00	682-41112-A1

MOTORES / ENGINES / MOTORI
9.9D
15D



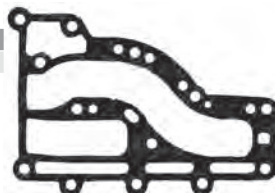
Ref.	R.O.
PAF15-07010018	66M-41114-01

MOTORES / ENGINES / MOTORI
F9.9
13.5
F15



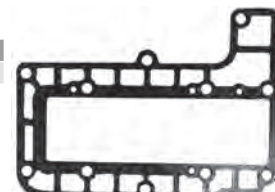
Ref.	R.O.
REC63V-41112-A0	63V-41112-A0

MOTORES / ENGINES / MOTORI
9.9F/MSH/MH
13.5AW
15F/MSH/MH
E15DMH



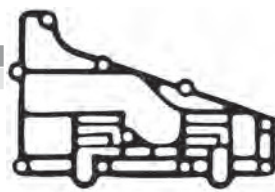
Ref.	R.O.
REC664-41114-A0	664-41114-A0

MOTORES / ENGINES / MOTORI
20C/25D



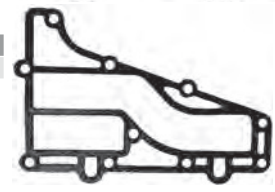
Ref.	R.O.
REC6L2-41114-A1	6L2-41114-A1

MOTORES / ENGINES / MOTORI
20D/M
25N/M/D



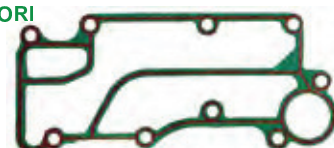
Ref.	R.O.
REC6L2-41112-A3	6L2-41112-A2

MOTORES / ENGINES / MOTORI
20D/M
25N/M



Ref.	R.O.
PAF25-05010111	65W-41114-00

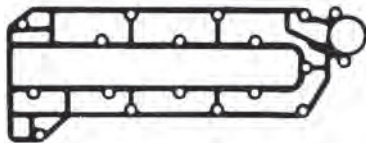
MOTORES / ENGINES / MOTORI
F20/25
T25



Ref. R.O.
REC6H3-41112-A0 6H3-41112-A0

MOTORES / ENGINES / MOTORI

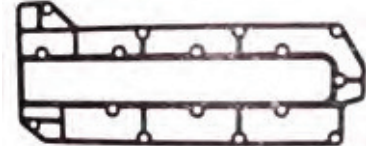
25B
50G/GE
60FE/TLR
E60H
70B/BE/TR



Ref. R.O.
REC6H3-41114-A0 6H3-41114-A0

MOTORES / ENGINES / MOTORI

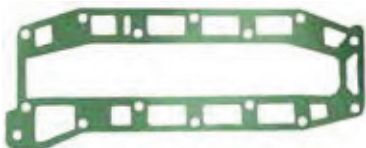
25B
50G/GE
60FE/TLR
E60H
70B/BE/TR



Ref. R.O.
REC6H4-41112-A0 6H4-41112-A0

MOTORES / ENGINES / MOTORI

25QEO
40H/V/VE/TLR
C40M/T
50H/DE



Ref. R.O.
REC6H4-41114-A0 6H4-41114-A0

MOTORES / ENGINES / MOTORI

25QEO
40H/V/VE/TLR
C40M/T
50H/DE



Ref. R.O.
REC6K8-41122-A1 6K8-41122-A1

MOTORES / ENGINES / MOTORI

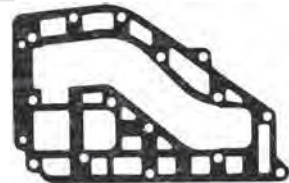
25VE/M/B/BMH
E25A
30HM/HW/G/GE
E30HMH



Ref. R.O.
REC6K8-41124-A1 6K8-41124-A1

MOTORES / ENGINES / MOTORI

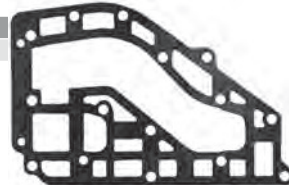
25VE/M/B/BMH
E25A
30HM/HW/G/GE
E30HMH



Ref. R.O.
REC689-41112-A0 689-41112-A0

MOTORES / ENGINES / MOTORI

30A



Ref. R.O.
REC689-41114-A0 689-41114-A0

MOTORES / ENGINES / MOTORI

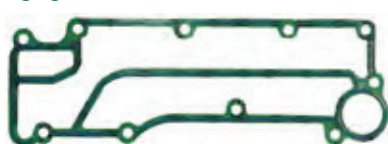
30A



Ref. R.O.
REC67C-41114-00 67C-41114-00

MOTORES / ENGINES / MOTORI

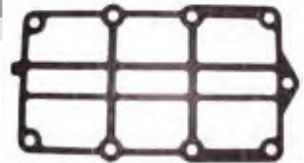
F30/40



Ref. R.O.
REC66T-41114-A0 66T-41114-A0

MOTORES / ENGINES / MOTORI

40X
E40X



Ref. R.O.
REC6F5-41112-A0 6F5-41112-A0

MOTORES / ENGINES / MOTORI

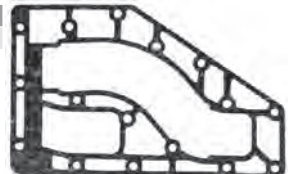
40GWH/JMH
E40GMH



Ref. R.O.
REC6F5-41114-A0 6F5-41114-A0

MOTORES / ENGINES / MOTORI

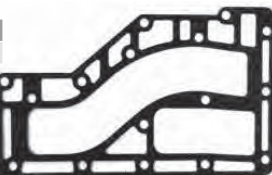
40GWH/JMH
E40GMH



Ref. R.O.
REC6E9-41114-A0 6E9-41114-A0

MOTORES / ENGINES / MOTORI

40Q



Ref. R.O.
REC676-41112-A0 676-41112-A0

MOTORES / ENGINES / MOTORI

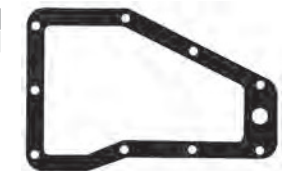
40Q



Ref. R.O.
REC663-41114-00 663-41114-A0

MOTORES / ENGINES / MOTORI

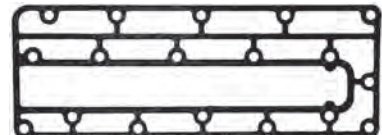
55B
E55CMH



Ref. R.O.
REC688-41112-A0 688-41112-A0

MOTORES / ENGINES / MOTORI

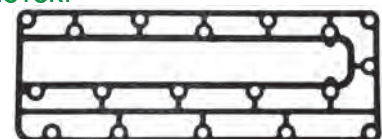
75CET/TLR/AE
E75B
80AE
85A/AE
90A/AE/TLR



Ref. R.O.
REC688-41114-A0 688-41114-A0

MOTORES / ENGINES / MOTORI

75CET/TLR/AE
E75B
80AE
85A/AE
90A/AE/TLR



Ref. R.O.
REC6E5-41112-A1 6E5-41112-A1

MOTORES / ENGINES / MOTORI

100A/AET/TLR
115B/BE/TLR/CEO/TXR
130BET/TLR



Ref. R.O.

REC6G5-11382-A1 6G5-11382-A1

MOTORES / ENGINES / MOTORI
115HP-250HP



Ref. R.O.

REC6G5-41112-A1 6G5-41112-A1

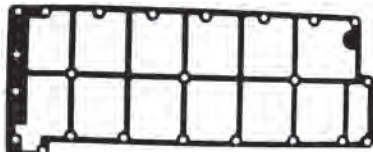
MOTORES / ENGINES / MOTORI
150F/FE/TXR/GE/A-CE,
175D/DE/FE
200AET/F/FE/TLR/G/GE/BE
225D/DE/BE



Ref. R.O.

REC68F-41114-00 68F-41114-00

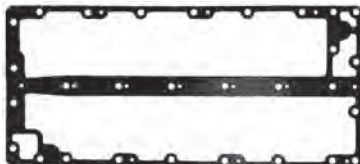
MOTORES / ENGINES / MOTORI
Z150
175
200HP



Ref. R.O.

REC6G5-41114-A0 6G5-41114-A0

MOTORES / ENGINES / MOTORI
150F/FE/TXR/GE/A-CE,
175D/DE/FE
200AET/F/FE/TLR/G/GE/BE
225D/DE/BE



JUNTAS SISTEMA ADMISIÓN GASKETS, INTAKE GUARNIZIONE SISTEMA ASPIRAZIONE

Ref. R.O.

REC69J-13645-00 69J-13645-A1

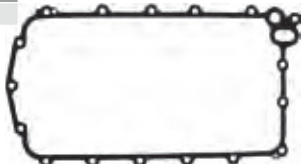
MOTORES / ENGINES / MOTORI
F200/FL-LF200 (02-11)
F225/LF-FL225 (02-11)



Ref. R.O.

REC69J-15451-00 69J-15451-A1

MOTORES / ENGINES / MOTORI
F200/FL-LF200 (02-11)
F225/LF-FL225 (02-11)



Ref. R.O.

REC6G1-13645-A1 6G1-13645-A1

MOTORES / ENGINES / MOTORI
6D/DMH/CMH//MH/C/TRV
8C/CMH/MH/MSH



Ref. R.O.

REC6G1-14198-A1 6G1-14198-A1

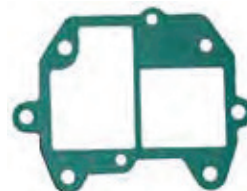
MOTORES / ENGINES / MOTORI
6D/DMH/CMH//MH/C/TRV
8C/CMH/MH/MSH



Ref. R.O.

REC6G1-13621-A1 6G1-13621-A1

MOTORES / ENGINES / MOTORI
6D/DMH/CMH//MH/C/TRV
8C/CMH/MH/MSH



Ref. R.O.

REC6G8-14198-A0 6G8-14198-00

MOTORES / ENGINES / MOTORI
F8BE/BM/B
F9.9B/BE/BM/A/AM



Ref. R.O.

REC6G8-13645-00 6G8-13645-00

MOTORES / ENGINES / MOTORI
F8BE/BM/B
F9.9B/BE/BM/A/AM



Ref. R.O.

REC6G8-13646-A0 6G8-13646-00

MOTORES / ENGINES / MOTORI
F8BE/BM/B
F9.9B/BE/BM/A/AM



Ref. R.O.

REC6G8-15374-00 6G8-15374-00

MOTORES / ENGINES / MOTORI
F8BE/BM/B
F9.9B/BE/BM/A/AM



Ref. R.O.

REC677-24434-02 677-24434-02

MOTORES / ENGINES / MOTORI
E8D/DMH
9.9D/15D
25D/NH/NMH/MH/NE/NEMO
20DMH/MLH/DW



Ref. R.O.

REC682-13621-00 682-13621-A0

MOTORES / ENGINES / MOTORI
9.9D
15D



Ref. R.O.

REC648-13645-A0 648-13645-A0

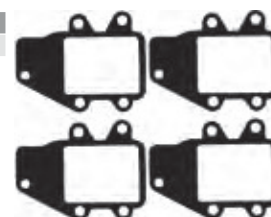
MOTORES / ENGINES / MOTORI
20CM/C
25DE/BMH/B/D/V
30A/HM/HW/G/GE, E30HMH



Ref. R.O.

REC677-13621-00 677-13621-A1

MOTORES / ENGINES / MOTORI
20CM/C
25DE/BMH/B/D/V
30A/HM/HW/G/GE
E30HMH



Ref.	R.O.
REC677-14198-A1	677-14198-A1

MOTORES / ENGINES / MOTORI
 20CM/C
 25DE/BMH/B/D/V
 30A/HM/HW/G/GE
 E30HMH



Ref.	R.O.
REC648-14198-A0	648-14198-A0

MOTORES / ENGINES / MOTORI
 20C/CM
 25D/DE
 30A



Ref.	R.O.
REC648-13621-A0	648-13621-A1

MOTORES / ENGINES / MOTORI
 20CM/C
 25DE/BMH/B/D/V
 30A/HM/HW/G/GE
 E30HMH



Ref.	R.O.
REC6H4-14198-01	6H4-14198-01

MOTORES / ENGINES / MOTORI
 25Q/QEO/B C40T/40YET
 50D/G/GEO/GET/H 60FEO/FET/D
 40V/VM/TLR/H 70B/BE



Ref.	R.O.
REC61N-14198-00	61N-14198-00

MOTORES / ENGINES / MOTORI
 25VE/VM/B/BMH/BWH
 E25A/BMH
 30G/GE/HMH/HW
 E30HMH



Ref.	R.O.
REC6H3-13621-A1	6H3-13621-A1

MOTORES / ENGINES / MOTORI
 25B
 50G/GEO/GETO,
 60FEO/FETO/TLR/TRZ/F
 E60H/E60M
 70BEO/B/BE/
 BEDO/BETO/TR



Ref.	R.O.
REC6H4-14198-09	6H4-14198-00

MOTORES / ENGINES / MOTORI
 40N/H/E
 50D/ETN



Ref.	R.O.
REC676-13646-A0	676-13646-A0

MOTORES / ENGINES / MOTORI
 40QE/QM/QWC



Ref.	R.O.
REC688-14483-A0	688-14483-A0

MOTORES / ENGINES / MOTORI
 E40CMH
 55B/BE/BET
 E55CMH



Ref.	R.O.
REC6F5-13645-A0	6F5-13645-A1

MOTORES / ENGINES / MOTORI
 40GWH/JWH
 E40GMH/JMH



Ref.	R.O.
REC6F5-13621-A1	6F5-13621-A1

MOTORES / ENGINES / MOTORI
 40GWH/JWH
 E40GMH/JMH



Ref.	R.O.
REC6F5-13646-A2	6F5-13646-A1

MOTORES / ENGINES / MOTORI
 40GWH/JWH
 E40GMH/JMH



Ref.	R.O.
REC6F5-14198-A1	6F5-14198-A1

MOTORES / ENGINES / MOTORI
 40GWH/JWH
 E40GMH/JMH



Ref.	R.O.
REC6E9-14198-A0	6E9-14198-A0

MOTORES / ENGINES / MOTORI
 40QE/QM/QWC



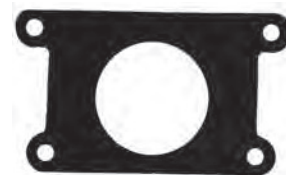
Ref.	R.O.
REC663-14483-A0	663-14483-A0

MOTORES / ENGINES / MOTORI
 E40CMH E55CMH
 55B/BE/BET



Ref.	R.O.
REC663-14198-00	663-14198-A0

MOTORES / ENGINES / MOTORI
 E48CMHS
 55BET/B/BE/BM



Ref.	R.O.
REC663-13621-00	663-13621-A0

MOTORES / ENGINES / MOTORI
 E48CMHS
 55BET/B/BE/BM



Ref.	R.O.
REC6H3-14198-A1	6H3-14198-A1

MOTORES / ENGINES / MOTORI
 25B
 50G/GEO/GETO
 60FEO/FETO/TLR/TRZ/F
 E60H/E60M
 70BEO/B/BE/
 BEDO/BETO/TR



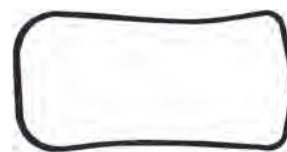
Ref.	R.O.
REC6H3-13622-A1	6H3-13622-A1

MOTORES / ENGINES / MOTORI
 25B
 50G/GEO/GETO
 60FEO/FETO/TLR/TRZ/F
 E60H/E60M
 70BEO/B/BE/BEDO/BETO/TR



Ref.	R.O.
REC688-14416-01	688-14416-01

MOTORES / ENGINES / MOTORI
 75AET/AEM/AED
 E75B
 85A/AE/AET/AED



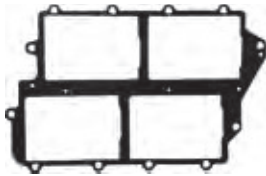
Ref.	R.O.
REC688-13621-A1	688-13621-A1

MOTORES / ENGINES / MOTORI
75AET/AEM/AED
E75B
85A/AE/AET/AED



Ref.	R.O.
REC6E5-13645-A1-00	6E5-13645-A1

MOTORES / ENGINES / MOTORI
100A/TLR
115BE/B/CETO/TXR
130BETO/TLR
150F/FETO/TXR/TR/GETO/A/AETO
175DETO/D/FETO
225DET/D



Ref.	R.O.
REC6E5-14198-A2	6E5-14198-A2

MOTORES / ENGINES / MOTORI
100A/TLR
115BE/B/CETO/TXR
130BETO/TLR
150F/FETO/TXR/TR/GETO/A/AETO
175DETO/D/FETO
225DET/D



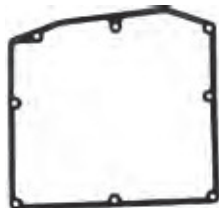
Ref.	R.O.
REC6E5-13621-A1	6E5-13621-A1

MOTORES / ENGINES / MOTORI
100A/TLR
115BE/B/CETO/TXR
130BETO/TLR
150F/FETO/TXR/TR/GETO/A/AETO
175DETO/D/FETO
225DET/D



Ref.	R.O.
REC6E5-14416-A1	6E5-14416-A1

MOTORES / ENGINES / MOTORI
115B/BE/BET
C115TLR



Ref.	R.O.
REC6E5-14483-A1	6E5-14483-A1

MOTORES / ENGINES / MOTORI
115B/BE/BET
C115TLR



Ref.	R.O.
REC6E5-11381-A1	6E5-11381-A1

MOTORES / ENGINES / MOTORI
115BET/CEO
130BET
150CET
175BET
200CETO
225BET



Ref.	R.O.
REC65L-13646-00	65L-13646-00

MOTORES / ENGINES / MOTORI
150PETO/QETO/TXR
175GETO
200N/NETO/PET/TLR
225G/GET



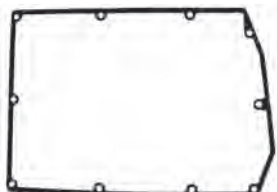
Ref.	R.O.
REC65L-13645-00	65L-13645-00

MOTORES / ENGINES / MOTORI
150PETO/QETO/TXR
175GETO
200N/NETO/PET/TLR
225G/GET



Ref.	R.O.
REC6G5-14416-A1	6G5-14416-A1

MOTORES / ENGINES / MOTORI
150A-AET



Ref.	R.O.
REC64E-13645-A0	64E-13645-A0

MOTORES / ENGINES / MOTORI
150GETO
D150H 175DET
200GETO/G
225D/DET



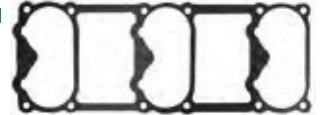
Ref.	R.O.
REC61A-13621-A0	61A-13621-A0

MOTORES / ENGINES / MOTORI
Z150P/Q/TLR
175G/GET
200NETO/N/TR/PET
250G/GET/B



Ref.	R.O.
REC6G5-14483-A1	6G5-14483-A1

MOTORES / ENGINES / MOTORI
150A/AETO
175AE/AETO
200AET/AETO



Ref.	R.O.
REC688-14198-A1	688-14198-A2

MOTORES / ENGINES / MOTORI
Z150P/Q/TLR
175G/GET
200NETO/N/TR/PET
250G/GET/B



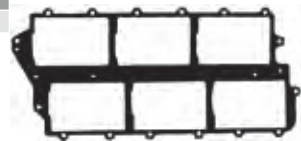
Ref.	R.O.
REC68F-11381-00	68F-11381-00

MOTORES / ENGINES / MOTORI
Z150 VZ175
VZ150 Z200
LZ150 VZ200
Z175 LZ200



Ref.	R.O.
REC6G5-13645-A1	6G5-13645-A2

MOTORES / ENGINES / MOTORI
150A/AETO
175AE/AETO
200AET/AETO



Ref.	R.O.
REC6K7-13645-A2	6K7-13645-A2

MOTORES / ENGINES / MOTORI
200CETO
225BET



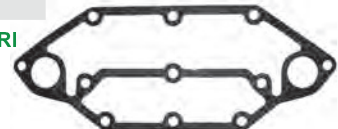
Ref.	R.O.
REC6K7-13646-A2	6K7-13646-A2

MOTORES / ENGINES / MOTORI
200CETO
225BET



Ref.	R.O.
REC61A-11381-A0	61A-11381-A0

MOTORES / ENGINES / MOTORI
225C/CET/FET/G/GET
250AET/B



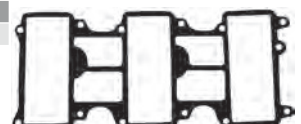
Ref.	R.O.
REC61A-13645-00	61A-13645-00

MOTORES / ENGINES / MOTORI
225C/CET
250AET/B/A/ETD



Ref.	R.O.
REC61A-13646-00	61A-13646-00

MOTORES / ENGINES / MOTORI
225C/CET
250AET/B/A/ETD



Ref.	R.O.
REC60V-13621-A0	60V-13621-A0

MOTORES / ENGINES / MOTORI

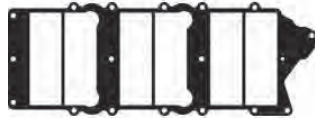
Z300AETO/TR
Z250DETO/TR/FETO
LZ250 (2003-07)
LZ300 (2004-07)
VZ200 (2005-09)
VZ225 (2003-09)
VZ300 (2004-09)
VZ250 (2003-07)
Z300 (2004-07)



Ref.	R.O.
REC60V-13645-00	60V-13645-00

MOTORES / ENGINES / MOTORI

Z300AETO/TR
Z250DETO/TR/FETO
LZ250 (2003-07)
LZ300 (2004-07)
VZ200 (2005-09)
VZ225 (2003-09)
VZ300 (2004-09)
VZ250 (2003-07)
Z300 (2004-07)

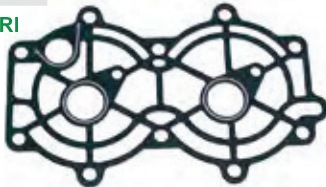


**JUNTAS CULATÍN
GASKETS, HEAD COVER
GUARNIZIONI TESTATA**

Ref.	R.O.
REC6L2-11193-A1	6L2-11193-A1

MOTORES / ENGINES / MOTORI

20D/DM/DEO
25NE/NEMO/NWC/
MSH



Ref.	R.O.
REC61T-11193-A0	61T-11193-A1

MOTORES / ENGINES / MOTORI

25VE/VM/BMH/B
E25A/BMH
30G/GE/HMH/HW
MSH



Ref.	R.O.
REC6H3-11193-A1	6H3-11193-A1

MOTORES / ENGINES / MOTORI

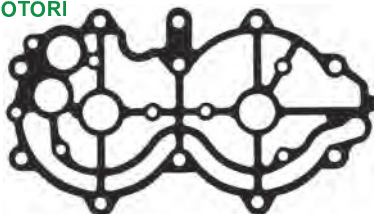
25B/BETO
50G/GEO/GETO
60FEO/FETO/FEDO/TLR
E60H/
HMH/MLH
70B//BEO/BEMO/BETO/TR



Ref.	R.O.
REC66T-11193-A0	66T-11193-A0

MOTORES / ENGINES / MOTORI

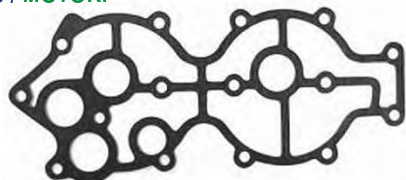
40X/E40X
E40 MLH/X/XW



Ref.	R.O.
REC6E9-11193-A0	6E9-11193-A0

MOTORES / ENGINES / MOTORI

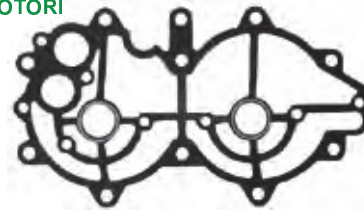
40QE/QE-Z/QM/QWC



Ref.	R.O.
REC6F6-11193-A1	6F6-11193-A1

MOTORES / ENGINES / MOTORI

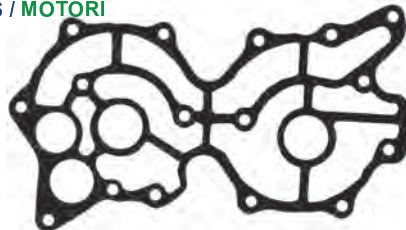
40GWH/JWH
E40GMH/JMH



Ref.	R.O.
REC663-11193-00	663-11193-A0

MOTORES / ENGINES / MOTORI

E48CMH
55BET/B/BE/BM/BET
E55CMH



Ref.	R.O.
REC688-11193-A1	688-11193-A1

MOTORES / ENGINES / MOTORI

75CETO/TLR/AE
E75B
80AEO/AETO/A
85A/AE
90AEO/TLR/A/AETO



Ref.	R.O.
REC6E5-11193-A0	6E5-11193-A0

MOTORES / ENGINES / MOTORI

100A/AETO/TLR
115B/BETO/BE
C115TLR/CEO/CETO/TXR
E115AEL
130BETO



Ref.	R.O.
REC68F-11193-02	68F-11193-02

MOTORES / ENGINES / MOTORI

Z150P/TXR/PETO/TR/Q/GETO
Z175G/GETO/TR/TXR/H
Z200N/TXR/PETO/TLR/NETO



Ref.	R.O.
REC6G5-11193-A0	6G5-11193-A1

MOTORES / ENGINES / MOTORI

150A/AET/CETO/F/FETO/TXR
D150H
175D/DETO/BETO
200AET/CETO/FETO/G/GETO/BETO/TXR/F/TLR,
225D/DET/BET



Ref.	R.O.
REC61A-11193-A2	61A-11193-A2

MOTORES / ENGINES / MOTORI

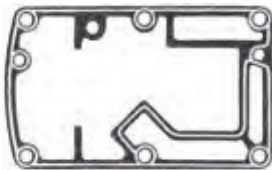
225C/CETO/G/GETO
250AET/B/TXR



**JUNTAS COLECTOR Y CARTER
GASKETS, UPPERCASING, OIL
PAN, MANIFOLD
GUARNIZIONI COLLETTORE
E CARTER**

Ref. R.O.
REC646-14623-A1 646-14623-A1

MOTORES / ENGINES / MOTORI
2B



Ref. R.O.
PAF2.6-04000004 69M-11351-A0

MOTORES / ENGINES / MOTORI
F2.5



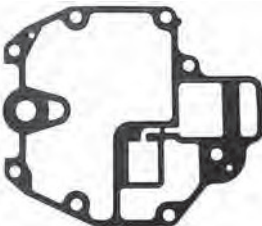
Ref. R.O.
PAF4-04000002 68D-11351-A0

MOTORES / ENGINES / MOTORI
F4



Ref. R.O.
REC68T-13475-00 68T-13475-00

MOTORES / ENGINES / MOTORI
F6/8/9.9
T8/9.9



Ref. R.O.
REC6G8-45113-A1 6G8-45113-A1

MOTORES / ENGINES / MOTORI
F8/9.9
T9.9



Ref. R.O.
REC6AH-13329-00 6AH-13329-00

MOTORES / ENGINES / MOTORI
F9.9/13.5/15/20



Ref. R.O.
REC682-45113-A0 682-45113-02

MOTORES / ENGINES / MOTORI
9.9D
15D



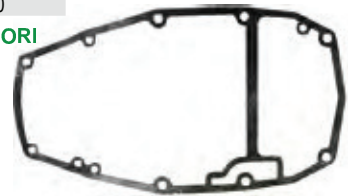
Ref. R.O.
REC6AH-15312-00 6AH-15312-00

MOTORES / ENGINES / MOTORI
F9.9/13.5/15/20



Ref. R.O.
PAF15-00000005 66M-45113-00

MOTORES / ENGINES / MOTORI
F15/9.9/13.5
FT9.9



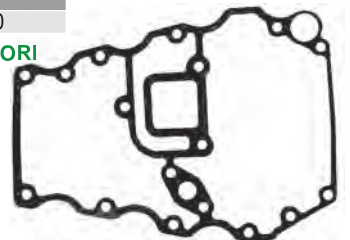
Ref. R.O.
REC62Y-15312-00 62Y-15312-00

MOTORES / ENGINES / MOTORI
F20/25/40/45/50
T50



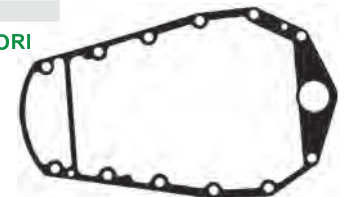
Ref. R.O.
REC67C-15312-00 67C-15312-00

MOTORES / ENGINES / MOTORI
F25/30/40
T25



Ref. R.O.
REC67C-45113-00 67C-45113-00

MOTORES / ENGINES / MOTORI
F25/30/40
T25



Ref. R.O.
REC6H3-45114-A1 6H3-45114-A1

MOTORES / ENGINES / MOTORI
25B/BETO
50G/GEO/GETO
60FEDO/TLR/BEO
E60H/MLHHMH
70B/BEO
70BETO/TR



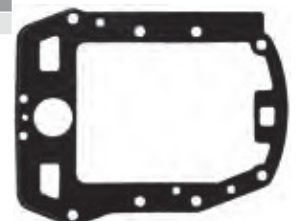
Ref. R.O.
PAF25-02010007 67C-15312-00

MOTORES / ENGINES / MOTORI
F25/30/40
T25



Ref. R.O.
REC676-45114-A1 676-45114-A1

MOTORES / ENGINES / MOTORI
40QE/QE-Z/QM/QWC/GWH/JWH
E40GMH/JMH



Ref.	R.O.
REC66T-45114-A0	66T-45114-A0

MOTORES / ENGINES / MOTORI

40X/XMH/XW
E40X/MLH/XMH



Ref.	R.O.
REC697-45114-00	697-45114-A0

MOTORES / ENGINES / MOTORI

E48CMH
55BET/B/BE/BM
E55CMH



Ref.	R.O.
REC63D-45114-A0	63D-45114-A0

MOTORES / ENGINES / MOTORI

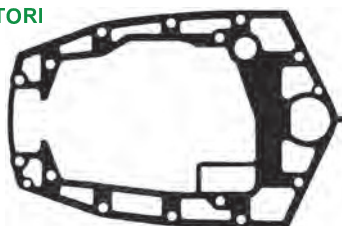
50H/HR/HM
40V/ VM/VETO/C40MLH
C40T/TLR
40YETO



Ref.	R.O.
REC688-45114-A1	688-45114-A1

MOTORES / ENGINES / MOTORI

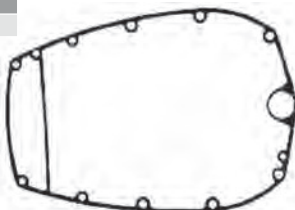
75A/AE/CETO/TLR/AED
E75B
85A/AED-M-T
80A/AE/AEO
90A/ETN/AEO/AETO



Ref.	R.O.
REC67F-45113-00	67F-45113-00

MOTORES / ENGINES / MOTORI

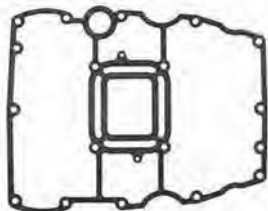
F75/80/100/115



Ref.	R.O.
REC68V-15312-00	68V-15312-00

MOTORES / ENGINES / MOTORI

F80/100/115



Ref.	R.O.
REC6G5-45114-A0	6G5-45114-A1

MOTORES / ENGINES / MOTORI

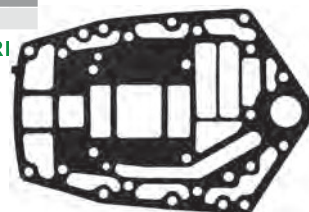
115A/B/ETN/BETO Z175
130BETO 175AETO
140AETO/BETO 200ETN/AET-0
150ETN/AETO/CETO/ Z200
FETO 225AETO/DET
Z150



Ref.	R.O.
REC6E5-45114-00	6E5-45114-A0

MOTORES / ENGINES / MOTORI

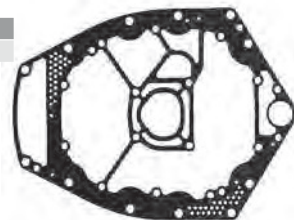
115A/ETN
E115AEL
140AETO



Ref.	R.O.
REC63P-15312-00	63P-15312-00

MOTORES / ENGINES / MOTORI

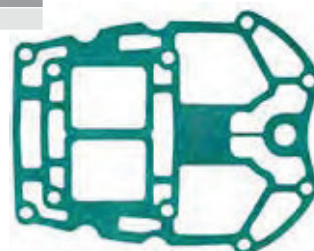
F150/175/200



Ref.	R.O.
REC61A-41134-A0	6D0-41134-00

MOTORES / ENGINES / MOTORI

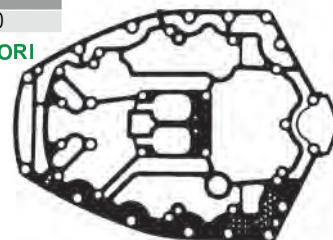
225C/FETO/G/GETO
Z250
250B/AET/BETO/TXR
Z300/AETO/TR



Ref.	R.O.
REC6AW-45113-00	6AW-45113-00

MOTORES / ENGINES / MOTORI

F300/350



Ref.	R.O.
REC6AW-14613-00	6AW-14613-00

MOTORES / ENGINES / MOTORI

FL/F300-350 (2008-2011)



Ref.	R.O.
REC6AW-14623-00	6AW-14623-00

MOTORES / ENGINES / MOTORI

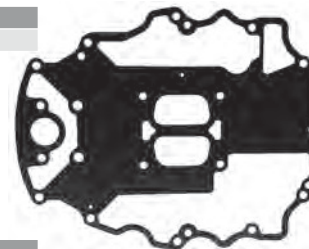
FL/F300-350 (2008-2011)



Ref.	R.O.
REC6AW-15312-00	6AW-15312-00

MOTORES / ENGINES / MOTORI

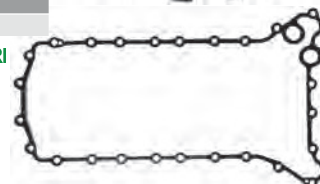
FL/F300-350 (2008+)



Ref.	R.O.
REC6AW-15451-00	6AW-15451-00

MOTORES / ENGINES / MOTORI

FL/F300-350 (2008+)



YAMAHA

**RECAMBIOS
MARINOS S.L.**

JUNTAS ESCAPE EXHAUST GASKET GUARNIZIONI SCARICO

Ref.	R.O.
REC6G1-41133-A0	6G1-41133-A0

MOTORES / ENGINES / MOTORI
6C/CEM/D/DEM/TRV/MSH/MHS/CWH/DMH/J
8CEM/C/TRV/MSH/MH/CMH/J/N



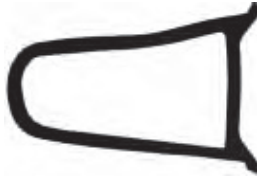
Ref.	R.O.
PAF15-04010004	66M-41138-00

MOTORES / ENGINES / MOTORI
F9.9/15/13.5
T9.9



Ref.	R.O.
PAF15-03000003	66M-45115-00

MOTORES / ENGINES / MOTORI
F9.9/13.5/15
T9.9



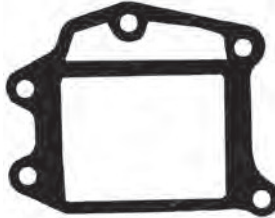
Ref.	R.O.
REC682-41133-A0	682-41133-A0

MOTORES / ENGINES / MOTORI
9.9D 15D
E9.9DMH E15DMH



Ref.	R.O.
REC63V-41133-A1	63V-41133-A1

MOTORES / ENGINES / MOTORI
9.9F/FEM/FMH/MH/AW/MSH
13.5AWH



Ref.	R.O.
REC6L2-41133-A3	6L2-41133-A3

MOTORES / ENGINES / MOTORI
20D/DEM/DEO/MLH/DMH
25NE/NW/MLH/N/MSH/MH/MLH



Ref.	R.O.
PAF25-05080004	65W-14457-10

MOTORES / ENGINES / MOTORI
F20/25
T25



Ref.	R.O.
REC6L2-41134-00	6L2-41134-00

MOTORES / ENGINES / MOTORI
20D/DEM/DEO/MLH/DMH
25NE/NW/MLH/N/MSH/MH/MLH



Ref.	R.O.
REC62Y-45127-00	62Y-45127-00

MOTORES / ENGINES / MOTORI
F20/25/40/45/50
T50



Ref.	R.O.
REC67C-41133-00	67C-41133-00

MOTORES / ENGINES / MOTORI
F20/25/40/50/30
T25



Ref.	R.O.
REC62Y-41133-00	62Y-41133-00

MOTORES / ENGINES / MOTORI
F20/25/40/45/50
T50



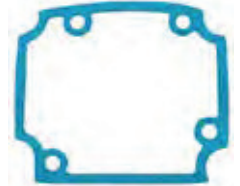
Ref.	R.O.
REC663-45123-00	663-45123-00

MOTORES / ENGINES / MOTORI
25QEO T50
40H/N 55B
F40/45/50 E55CM
50ETN



Ref.	R.O.
REC664-41134-A0	664-41134-A0

MOTORES / ENGINES / MOTORI
20C/CM/A/G/GE
E25A/25VE/VM/DE/D



Ref.	R.O.
REC63D-45123-00	63D-45123-00

MOTORES / ENGINES / MOTORI
25AEO/50H/40V/YE
C40M/40TLR/50DE



Ref.	R.O.
REC67C-45123-00	67C-45123-00

MOTORES / ENGINES / MOTORI
F20/25/40/50/30
T25



Ref.	R.O.
REC6H3-45127-00	6H3-45127-00

MOTORES / ENGINES / MOTORI
25B/BETO
50G/GEQ/GETO
60FE/FET/FEQ/FETO/FEDO
E60H/MHZ/MLH/HMH/HW



Ref.	R.O.
REC6H3-45123-00	6H3-45123-00

MOTORES / ENGINES / MOTORI
 25B/BETO
 50G/GEO/GETO
 60FE/FET/FEO/FETO/FEDO
 E60H/MHZ/MLH/HMH/HW
 70B/ETN/
 BEH/BEO/BEMO/BETO/CE



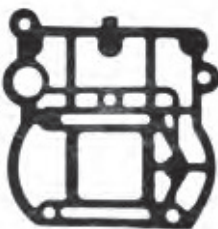
Ref.	R.O.
REC6H4-41134-A0	6H4-41134-A0

MOTORES / ENGINES / MOTORI
 25QEO/50H/40V/YE
 C40M/40TLR/50DE



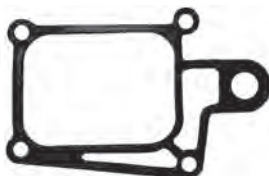
Ref.	R.O.
REC66T-41133-A1	66T-41133-A0

MOTORES / ENGINES / MOTORI
 40X/XW/XMH
 E40X/MLN



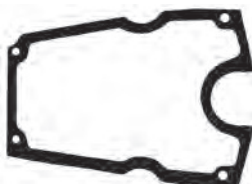
Ref.	R.O.
REC676-41133-A0	676-41133-A0

MOTORES / ENGINES / MOTORI
 40QE/QE-Z/QM/QWC



Ref.	R.O.
REC676-45128-00	676-45128-00

MOTORES / ENGINES / MOTORI
 40QE/QE-Z/QM/QWC



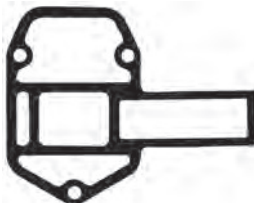
Ref.	R.O.
REC676-45127-00	676-45127-00

MOTORES / ENGINES / MOTORI
 40QE/QE-Z/QM/QWC



Ref.	R.O.
REC688-41134-00	688-41134-A0

MOTORES / ENGINES / MOTORI
 75A/AE/AED/CETO/TLR
 80A/AEO
 85A/AED-T
 90A/AET/AEO



Ref.	R.O.
REC67F-45123-00	67F-45123-00

MOTORES / ENGINES / MOTORI
 F75/80/100



Ref.	R.O.
REC688-45123-00	688-45123-00

MOTORES / ENGINES / MOTORI
 75CETO/TLR
 E75B/AED
 80A/AE/TLR



Ref.	R.O.
REC67F-41138-00	67F-41138-00

MOTORES / ENGINES / MOTORI
 F80/100/115



Ref.	R.O.
REC67F-45127-00	67F-45127-00

MOTORES / ENGINES / MOTORI
 F80/100/115



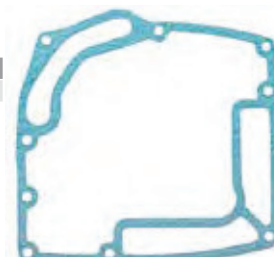
Ref.	R.O.
REC68V-45123-00	

MOTORES / ENGINES / MOTORI
 F80/100/115



Ref.	R.O.
REC67F-41134-A0	67F-41134-A0

MOTORES / ENGINES / MOTORI
 F80/100/115



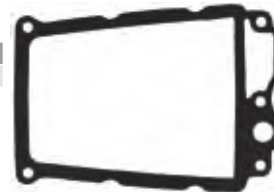
Ref.	R.O.
REC6E5-44315-A0	6E5-44315-A0

MOTORES / ENGINES / MOTORI
 F100/200
 150FETO
 175DETO/D
 200FETO/TXR/F



Ref.	R.O.
REC6E5-41135-A0	6E5-41135-A0

MOTORES / ENGINES / MOTORI
 100A/AET/TLR
 115B/BETO/GEO/CETO/TLR
 130BETO



Ref.	R.O.
REC6E5-41134-A0	6E5-41134-A0

MOTORES / ENGINES / MOTORI
 100A/AET/TLR
 115B/BETO/GEO/CETO/TLR, 130BETO



Ref.	R.O.
REC6G5-41134-A1	6G5-41134-A1

MOTORES / ENGINES / MOTORI
 130BETO 200AET/ FETO/NETO/
 150FETO/PETO/TR TXR
 175DETO/GETO/TR 225DET
 Z200



Ref.	R.O.
REC69J-41138-00	69J-41138-00

MOTORES / ENGINES / MOTORI
 F200/225/250



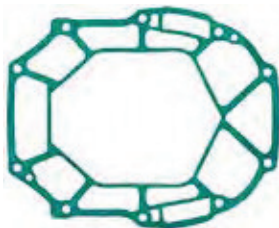
Ref.	R.O.
REC69J-45123-00	69J-45123-00

MOTORES / ENGINES / MOTORI
 F200/225/250



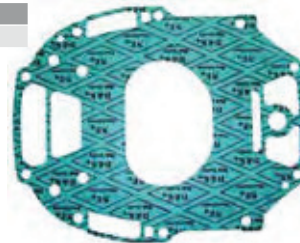
Ref.	R.O.
REC69J-41135-A0	69J-41135-A0

MOTORES / ENGINES / MOTORI
 F200/225/250



Ref.	R.O.
REC6S1-41136-00	6S1-41136-00

MOTORES / ENGINES / MOTORI
 F200/225/250



Ref.	R.O.
REC69J-41134-A0	69J-41134-A0

MOTORES / ENGINES / MOTORI
 F200/225



Ref.	R.O.
REC6AW-41134-01	6AW-41134-01

MOTORES / ENGINES / MOTORI
 FL/F300-350 (2008+)



CARBURADORES CARBURETOR CARBURATORI

Ref.	R.O.
PAF2.6-04000200	69M-14301-21

MOTORES / ENGINES / MOTORI
 F2.5 ALL (2003+)



Ref.	R.O.
PAF4-04140000	67D-14301-03

MOTORES / ENGINES / MOTORI
 F4 (1998-05)



Ref.	R.O.	
PAF15-07090000	66M-14301-00	Arranque manual
		Manual starter
		Messa in moto manuale
PAF15-07090000W	66M-14301-00	Arranque eléctrico
		Electric starter
		Messa in moto elettrica

MOTORES / ENGINES / MOTORI
 F9.9, F13.5, F15 (1998-07)



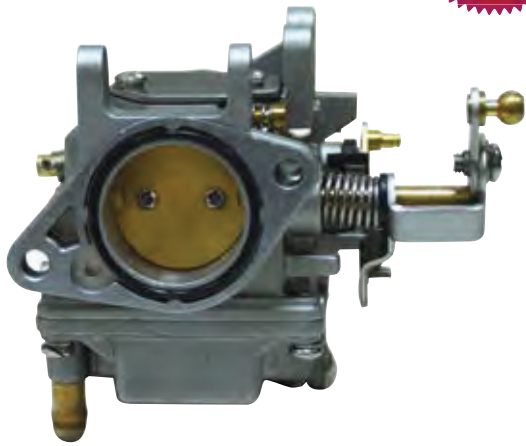
Ref.	R.O.
PAF25-05070000	65W-14901-12

MOTORES / ENGINES / MOTORI
 F25 ALL (1999-06)



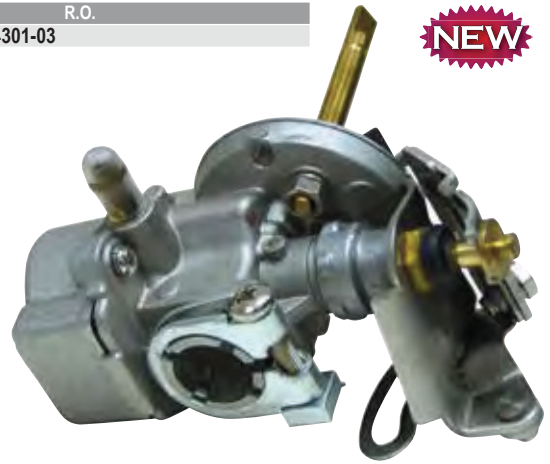
Ref. R.O.
REC61N-14301-04

NEW



Ref. R.O.
REC6A1-14301-03

NEW



Ref. R.O.
REC6L5-14301-03

NEW



Ref. R.O.
REC66T-14301-60

NEW



Ref. R.O.
REC6G1-14301-01

NEW



Ref. R.O.
REC63V-14301-00

NEW



Ref. R.O.
REC6E3-14301-05

NEW



KIT 3 CARBURADORES
KIT 3 CARBURETORS
KIT 3 CARBURATORI

NEW

Ref. R.O.
REC6K5-14301-03 6K5-14301-03 + 6K5-14302-03 + 6K5-14303-03



YAMAHA

RECAMBIOS
MARINOS S.L.

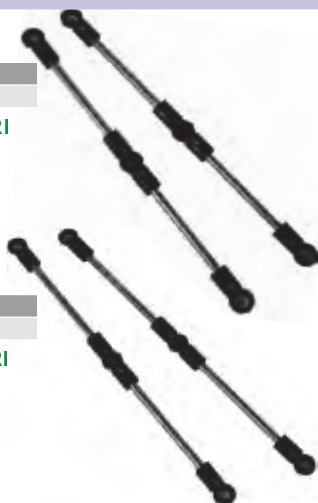
GUÍA CARBURADOR CARBURATOR GUIDE GUIDE CARBURATORE

HP	CÓDIGO CODE CODICE	AÑOS YEARS ANNI	CARBURADOR CARBURATOR CARBURATORE	KIT	BOYA FLOAT GALLEGIANTE	AGUJA NEEDLE SPILLO
2B, BMHS, MSHA, MSHB, MSHC, MSHD	6A1-6A14	1985-05	REC6A1-14301-03	REC6A1-W0093-01		
3A, AMHL, MSH	6L5	1988-99	REC6L5-14301-03	REC6G1-W0093-00	REC6G1-14985-00	REC6G1-14546-00
3A, AMHS, AMHL, AMH, MSHA, MSHB	6L50-6L59	2001-10	REC6L5-14301-03	REC6G1-W0093-00	REC6G1-14985-00	REC6G1-14546-00
AMH, AMHS	6L5A-6L5F	2011-15	REC6L5-14301-03	REC6G1-W0093-00	REC6G1-14985-00	REC6G1-14546-00
4AS	6E1-	1994-95	REC6E3-14301-05		REC6E7-14385-00	
4AC	6E0-	1994-98	REC6E3-14301-05		REC6E7-14385-00	
4CMHS, CMHL	6GP1	2016	REC6E3-14301-05		REC6E7-14385-00	
5C	6E3-	1986-99	REC6E3-14301-05		REC6E7-14385-00	
5CS	6E4-	1987-95	REC6E3-14301-05		REC6E7-14385-00	
5CMH	6M0	1994	REC6E3-14301-05		REC6E7-14385-00	
5C, CMHS, CMHL	6E30-6E39	2001-10	REC6E3-14301-05		REC6E7-14385-00	
5CMH, CMHS, CMHL	6E3A-6E3F	2011-15	REC6E3-14301-05		REC6E7-14385-00	
6C, CEM	6H6	1984-96	REC6G1-14301-01	REC6G1-W0093-00	REC6G1-14985-00	REC6G1-14546-00
6D, DEM	6H8	1984-96	REC6G1-14301-01	REC6G1-W0093-00	REC6G1-14985-00	REC6G1-14546-00
6J	6H6	1986	REC6G1-14301-01	REC6G1-W0093-00	REC6G1-14985-00	REC6G1-14546-00
6C, MSH, TRV	6M8	1997-98	REC6G1-14301-01	REC6G1-W0093-00	REC6G1-14985-00	REC6G1-14546-00
6C	6M80	2001	REC6G1-14301-01	REC6G1-W0093-00	REC6G1-14985-00	REC6G1-14546-00
6D	6M90-6M91	2001-02	REC6G1-14301-01	REC6G1-W0093-00	REC6G1-14985-00	REC6G1-14546-00
6CMH, CMHS, CMHL, MSHA, MSHB, MSHG, MSHD, MH, MHL, CVH	6M81-6M89	2002-10	REC6G1-14301-01	REC6G1-W0093-00	REC6G1-14985-00	REC6G1-14546-00
CMH, CMHL, CM, MH	6M8A-6M8B	2010-12	REC6G1-14301-01	REC6G1-W0093-00	REC6G1-14985-00	REC6G1-14546-00
8N	6G1	1984	REC6G1-14301-01	REC6G1-W0093-00	REC6G1-14985-00	REC6G1-14546-00
8C, CEM	6G1	1984-95	REC6G1-14301-01	REC6G1-W0093-00	REC6G1-14985-00	REC6G1-14546-00
8J	6G1	1986	REC6G1-14301-01	REC6G1-W0093-00	REC6G1-14985-00	REC6G1-14546-00
8C, TRV, MSH	6N0	1997-98	REC6G1-14301-01	REC6G1-W0093-00	REC6G1-14985-00	REC6G1-14546-00
8C, MSHZ, MSHA	6N00-6N09	2001-10	REC6G1-14301-01	REC6G1-W0093-00	REC6G1-14985-00	REC6G1-14546-00
8CMH, CMHS, CMHL	6N0A-6N0C	2011-12	REC6G1-14301-01	REC6G1-W0093-00	REC6G1-14985-00	REC6G1-14546-00
9.9FMH, FMHS, FMHL, FEMH, MHW, MSH, MSHZ, MSHA, MSHB, MSHC	63V-63V9	1995-10	REC63V-14301-00	REC63V-W0093-00	REC63V-14985-00	REC6G1-14546-00
FMH, FMHS, FMHL, MH	63VA-63VJ	2011-16	REC63V-14301-00	REC63V-W0093-00	REC63V-14985-00	REC6G1-14546-00
13.5AWH	63V	1998	REC63V-14301-00	REC63V-W0093-00	REC63V-14985-00	REC6G1-14546-00
13.5AMH, AMHS, AMHL	66S1-66S2	2003-04	REC63V-14301-00	REC63V-W0093-00	REC63V-14985-00	REC6G1-14546-00
15F.FEMH, FMHS, MHW, MSH, MSHA	63W-63W1	1995-02	REC63V-14301-00	REC63V-W0093-00	REC63V-14985-00	REC6G1-14546-00
E15CMHS	65F2	2003	REC63V-14301-00	REC63V-W0093-00	REC63V-14985-00	REC6G1-14546-00
15FMHS, FMHL, FMH, MH, MSHB, MSHC, MSHG	63W2-63W9	2003-10	REC63V-14301-00	REC63V-W0093-00	REC63V-14985-00	REC6G1-14546-00
15FMHS, FMHL, FMH, MH	63WA-63WG	2011-16	REC63V-14301-00	REC63V-W0093-00	REC63V-14985-00	REC6G1-14546-00
25VE	61R	1996	REC61N-14301-04	REC61N-W0093-00	REC6L2-14385-00	REC61N-14392-00
25VM	61R	1997	REC61N-14301-04	REC61N-W0093-00	REC6L2-14385-00	REC61N-14392-00
E25A	61N	1998	REC61N-14301-04	REC61N-W0093-00	REC6L2-14385-00	REC61N-14392-00
25VM	61R0	2001	REC61N-14301-04	REC61N-W0093-00	REC6L2-14385-00	REC61N-14392-00
30G	61T	1996	REC61N-14301-04	REC61N-W0093-00	REC6L2-14385-00	REC61N-14392-00
30GE	61T	1997	REC61N-14301-04	REC61N-W0093-00	REC6L2-14385-00	REC61N-14392-00
40X, XW	66T	1998-00	REC66T-14301-60	REC66T-W0093-01	REC6E5-14385-02	REC6E5-14546-00
40XMH	66T4-66T8	2003-05	REC66T-14301-60	REC66T-W0093-01	REC6E5-14385-02	REC6E5-14546-00
40XMH, XMHS, XMHL	66TG-66TR	2009-12	REC66T-14301-60	REC66T-W0093-01	REC6E5-14385-02	REC6E5-14546-00
E40X, MLH	66T	1998-00	REC66T-14301-60	REC66T-W0093-01	REC6E5-14385-02	REC6E5-14546-00
E40X, XMH, XMHS, XMHL, MLHZ	66T0-66T8	2001-05	REC66T-14301-60	REC66T-W0093-01	REC6E5-14385-02	REC6E5-14546-00
E40X, XMHS, XMHLXMH, XMHX	66TA-66TR	2006-12	REC66T-14301-60	REC66T-W0093-01	REC6E5-14385-02	REC6E5-14546-00
E60H, HMHD, HMHDS, HMHDL, ELHB, MHZ, MLHA, HMHDX, HWHD	69D0-69D9	2001-10	REC6K5-14301-03	REC6H3-W0093-02	REC6G1-14985-00	REC6H3-14590-00
E60HMHD, HMHDS, HMHDL, HWDL	69DA-69DC	2011-12	REC6K5-14301-03	REC6H3-W0093-02	REC6G1-14985-00	REC6H3-14590-00
E60HE, HM, E-60H	6K5	1996-00	REC6K5-14301-03	REC6H3-W0093-02	REC6G1-14985-00	REC6H3-14590-00

VARILLA ACELERADOR ROD ACCELERATOR LEVER ASTA ACCELERATORE

Ref.	R.O.
REC6H3-41217-00	6H3-41217-00

MOTORES / ENGINES / MOTORI
50G/E60H
60F/T
70B/T



Ref.	R.O.
REC688-41217-00	688-41217-00

MOTORES / ENGINES / MOTORI
80A
90A/E

Ref.	R.O.
REC692-41256-00	692-41256-00

MOTORES / ENGINES / MOTORI
75A/B
80A
85A
90A



Ref.	R.O.
REC6G5-41217-00	6G5-41217-01

MOTORES / ENGINES / MOTORI
150/200ETN
150/200AETO
175AET-O
225AETO

JUNTAS CARBURADOR CARBURATOR GASKET GUARNIZIONI CARBURATORE

Ref.	R.O.
REC677-14384-01	677-14384-01

MOTORES / ENGINES / MOTORI
E8D/DMH
9.9D
15D



Ref.	R.O.
REC677-14227-00	677-14227-01

MOTORES / ENGINES / MOTORI
E8D/DMH
9.9D
15D



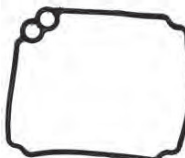
Ref.	R.O.
REC6E7-14227-00	6E7-14227-00

MOTORES / ENGINES / MOTORI
9.9D
15D



Ref.	R.O.
REC63V-14984-00	63V-14984-00

MOTORES / ENGINES / MOTORI
9.9F/FM/FEM/MS/MH/E9.9DMH
13.5AW
15F/FEM/MSH/FMH/MH
E15DMH



Ref.	R.O.
REC63V-14126-00	63V-14126-00

MOTORES / ENGINES / MOTORI
9.9F/FM/FEM/MS/MH/E9.9DMH
13.5AW
15F/FEM/MSH/FMH/MH
E15DMH



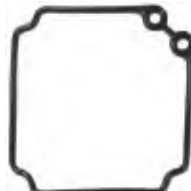
Ref.	R.O.
REC6L2-14399-00	6L2-14399-00

MOTORES / ENGINES / MOTORI
20DM/D/DEO/MLH
E25A
25VE/VM/B/BMH/BWH/HMH/NMH/NE/N/MLH/D
30G/GE
E30HMH



Ref.	R.O.
REC6L2-14384-00-006L2-14384-00	

MOTORES / ENGINES / MOTORI
20DM/D/DEO/MLH
E25A
25VE/VM/B/BMH/BWH/HMH/NMH/NE/N/MLH/D
30G/GE
E30HMH



Ref.	R.O.
REC648-14384-01-00648-14384-01	

MOTORES / ENGINES / MOTORI
20C/CM
25D/DE
30A



Ref.	R.O.
REC6H3-14457-01	6H3-14457-01

MOTORES / ENGINES / MOTORI
25Q
40V/TLR/H
C40T
50G/H



Ref.	R.O.
REC66T-14384-01	66T-14384-01

MOTORES / ENGINES / MOTORI
E40XM/X/MLH/XW
40XW/XM



Ref.	R.O.
REC6F5-14384-00	6F5-14384-00

MOTORES / ENGINES / MOTORI
E40GMH/JMH
40GWH/JWH



Ref.	R.O.
REC66T-14536-00	66T-14536-01

MOTORES / ENGINES / MOTORI
40X/E40X/E40M



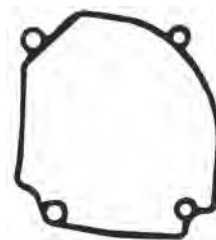
Ref.	R.O.
REC6F5-14398-00	6F5-14398-00

MOTORES / ENGINES / MOTORI
E40GMH/JMH
40GWH/JWH



Ref.	R.O.
REC676-14984-00-00676-14984-00	

MOTORES / ENGINES / MOTORI
75A/AE/AET/AEM
E75B
85A/AE/AET/AED



Ref.	R.O.
REC64D-14384-1	64D-14384-01

MOTORES / ENGINES / MOTORI
100A/AETO/TLR
115A/B/BE/CE/BETO
130BETO
140AETO
150CET/ETD/AETO/CETO
175AETO/BETO/ET
200ETD
200CETO/AET/BET
225BET/AET



YAMAHA

RECAMBIOS
MARINOS S.L.

KITS CARBURADOR CARBURATOR KITS KIT CARBURATORE

Ref. R.O.
REC6A1-W0093-01 6A1-W0093-01
MOTORES / ENGINES / MOTORI
2B (1985-1988)



Ref. R.O.
REC6G1-W0093-00 6G1-W0093-00
MOTORES / ENGINES / MOTORI
3A/AMH//MSH/ (1988-07)
6C/CEM/N/J (1984-96)
8C/CEM/N/J (1984-96)



Ref. R.O.
REC67D-W0093-00 67D-W0093-00
MOTORES / ENGINES / MOTORI
F4 (1999-02)
F4A/AMH/MSH (1998-02)



Ref. R.O.
REC66M-W0093-01 66M-W0093-01
MOTORES / ENGINES / MOTORI
F9.9C/FT9.9D (1998-08)
F15A/ELH/MHZ/PL (1998-07)



Ref. R.O.
REC63V-W0093-00 63V-W0093-00
MOTORES / ENGINES / MOTORI
9.9MH/FMH (1995-12)
E9.9
13.5AMH (2003-04)
15FMH/MH (1995-12)
E15DMH (2003)



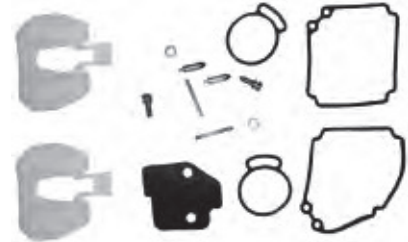
Ref. R.O.
REC677-W0093-00 677-W0093-00
MOTORES / ENGINES / MOTORI
9.9D (1985)
15D(1985)



Ref. R.O.
REC6E7-W0093-01 6E7-W0093-04
MOTORES / ENGINES / MOTORI
9.9D (1990-93)
15D (1990-93)



Ref. R.O.
REC6L2-W0093-00 6L2-W0093-00
MOTORES / ENGINES / MOTORI
20D/M (1998-11)
25N/M (1988-14)



Ref. R.O.
REC689-W0093-02 689-W0093-02
MOTORES / ENGINES / MOTORI
20C/CM (1992-02)
25D/DE (1992-01)
30A (1992)



Ref. R.O.
REC6H4-W0093-03 6H4-W0093-03
MOTORES / ENGINES / MOTORI
25QEO (1993-1994)
40V/VM/VE (1995-14)
C40T/TL (1995-02)
40YET (2005-07)
50H/HR/HM/HW/HE (1995-03)



Ref. R.O.
REC6H2-W0093-10 6H2-W0093-10
MOTORES / ENGINES / MOTORI
25B/BETO (1994-1995)
50G/GE (1993-1998)
60FE/TL/TR (1992-2007)
70B/BE (1992-2014)



Ref. R.O.
REC6H4-W0093-01-00 6H4-W0093-01
MOTORES / ENGINES / MOTORI
40H/E (1985-88)
50D (1985-88)



Ref.	R.O.
REC66T-W0093-01	66T-W0093-01

MOTORES / ENGINES / MOTORI
 40XMH/XW (2000-13)
 E40X/MLH/XMH (2000-13)



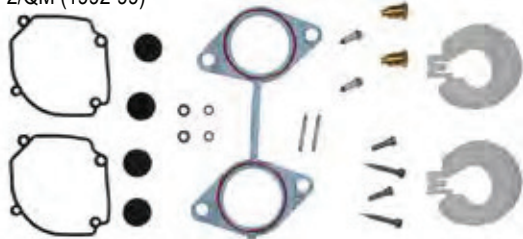
Ref.	R.O.
REC61N-W0093-00	61N-W0093-00

MOTORES / ENGINES / MOTORI
 25VE/VM (1996-01)
 25B/BMH/BW (2001-10)
 E30HMH (2003)
 30G/GE (1996-00)
 30HMH/HW (2003-12)



Ref.	R.O.
REC6E9-W0093-02	6E9-W0093-02

MOTORES / ENGINES / MOTORI
 40G/QE/QE-2/QM (1992-99)



Ref.	R.O.
REC6F6-W0093-00	6F6-W0093-00

MOTORES / ENGINES / MOTORI
 E40 (2003)



Ref.	R.O.
REC6E9-W0093-03	6E9-W0093-03

MOTORES / ENGINES / MOTORI
 40QEZ/QWC (1997-98)
 C40 2Cyl (1995-98)



Ref.	R.O.
REC696-W0093-00	696-W0093-02

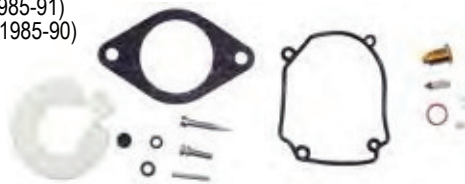
MOTORES / ENGINES / MOTORI
 E48CMH (2003)
 55B/BE/BM (1992-02)
 E55CMH (2003-05)



Contiene para dos carburadores
 For two carburetors
 Contenuto per due carburatori

Ref.	R.O.
REC6H1-W0093-01-00	6H1-W0093-01

MOTORES / ENGINES / MOTORI
 60FE-T/FEO (1985-91)
 70B/BEH/CEL (1985-90)



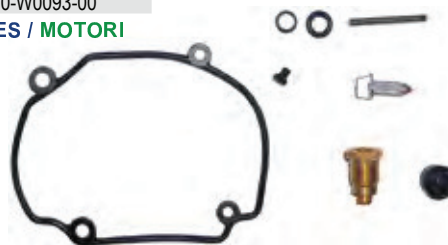
Ref.	R.O.
REC6H3-W0093-02	6H3-W0093-02

MOTORES / ENGINES / MOTORI
 E60H/MHZ/MLH/HMHD/HW/HEHM (1997-14)



Ref.	R.O.
REC6H0-W0093-00	6H0-W0093-00

MOTORES / ENGINES / MOTORI
 C80 (1997)



Ref.	R.O.
REC6H1-W0093-10	6H1-W0093-10

MOTORES / ENGINES / MOTORI
 75CET (1998-2014)
 75TLR (2000-02)
 80A (2000-02)
 90AE/TR/TL (1992-14)



Ref.	R.O.
REC67F-W0093-00	

MOTORES / ENGINES / MOTORI
 F80A/TLR/ (1999-2001)
 F100A/TLR/TRZ/TLR (1999-2001)



Ref.	R.O.
REC6E5-W0093-07	6E5-W0093-07

MOTORES / ENGINES / MOTORI
 115BE/B (1996-2002)
 115C/CET (2007-13)
 130B/9BET (2007)



YAMAHA

**RECAMBIOS
 MARINOS S.L.**

Ref. R.O.
REC6N6-W0093-02 6N6-W0093-02

MOTORES / ENGINES / MOTORI
 115BETO/CETO (1990-91)
 L/130 BETO (1990-91)



Ref. R.O.
REC6E5-W0093-08 6E5-W0093-08

MOTORES / ENGINES / MOTORI
 115 BE (1997)



Ref. R.O.
REC6E5-W0093-06 6E5-W0093-06

MOTORES / ENGINES / MOTORI
 115B/BETO/CEO/CETO (1992-1995)
 130BETO (1993-1995)
 L150CETO (1992-1995)
 175BETO (1992-95)
 200BETO (1992-95)
 200CETO (1992-93)
 225BETO (1993-95)



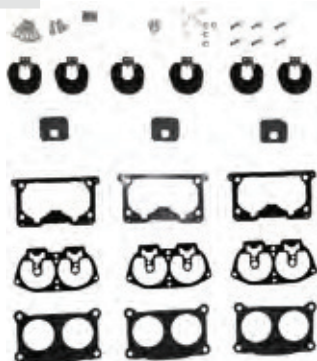
Ref. R.O.
REC64D-W0093-00 64D-W0093-00

MOTORES / ENGINES / MOTORI
 150A/AET/GET/FET/F (1996-00)
 175DET/FET (1996-00)
 200F/FET/G/GET (1996-00)
 225D/DET (1996-97)



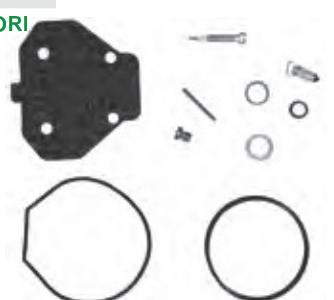
Ref. R.O.
REC6K7-W0093-09 6K7-W0093-09

MOTORES / ENGINES / MOTORI
 225AET (1987-91)
 PROV200 (1991)
 150CET (1990-91)
 175 BETO (1990-91)
 200BET/ET (1990-91)
 225BET(1990-91)



Ref. R.O.
REC61A-W0093-01 61A-W0093-01

MOTORES / ENGINES / MOTORI
 225C/CET (1994-95)
 250B (1995-02)
 250A/AET (1992-06)



**AGUJA CARBURADOR
 NEEDLE VALVE
 SPILLO CONICO CARBURATORE**

Ref. R.O.
REC61N-14392-00 62Y-14392-00

MOTORES / ENGINES / MOTORI
 2.5>60HP



Ref. R.O.
REC6G1-14546-00 6G1-14546-01

MOTORES / ENGINES / MOTORI
 8>40HP



Ref. R.O.
REC626-14390-90 626-14390-90

MOTORES / ENGINES / MOTORI
 9.9D/15D



Ref. R.O.
REC677-14343-68 677-14343-68

MOTORES / ENGINES / MOTORI
 9.9D/15D



Ref. R.O.
REC6E8-14390-12 6E8-14390-12

MOTORES / ENGINES / MOTORI
 9.9-15HP
 E8D/9.9D/15D



Ref. R.O.
REC6E5-14546-00 6E5-14546-00

MOTORES / ENGINES / MOTORI
 25-250HP



Ref. R.O.
REC6F5-14390-21 6F5-14390-21

MOTORES / ENGINES / MOTORI
 40G/E40G
 40J/E40J



Ref. R.O.
REC6F6-14341-00 6F6-14341-00

MOTORES / ENGINES / MOTORI
 40G/40J
 E40G/E40J



Ref. R.O.
REC696-14590-01 696-14590-01

MOTORES / ENGINES / MOTORI
 48-55HP
 E48CMH
 E55CMH



Ref.	R.O.
REC6H3-14590-00	6H3-14590-01

MOTORES / ENGINES / MOTORI
E60/60FE/TR
70BET/TR



Ref.	R.O.
REC688-14947-00	688-14947-00

MOTORES / ENGINES / MOTORI
75A/AE
85A/AE



VALVULA DE LÁMINAS VALVE OF SHEETS VALVOLA

Ref.	R.O.
REC6F6-13610-00	6F6-13610-00

MOTORES / ENGINES / MOTORI
40G/E40G
40J/E40J



TORNILLOS CARBURADOR BOLT SCREW VITE CARBURATORE

Ref.	R.O.
REC624-42542-00	90387-06119

MOTORES / ENGINES / MOTORI
3>300HP



Ref.	R.O.
REC647-14323-00	647-14323-00

MOTORES / ENGINES / MOTORI
E8D 5C
4A/MS 15D
9.9D 25D
20C 30A



Ref.	R.O.
REC679-14923-00	679-14923-00

MOTORES / ENGINES / MOTORI
9.9F/M 13.5 AM
E9.9D 8N/C/J
15F/M 6C/D/TR/M
E15D 3A



Ref.	R.O.
REC6A0-14325-00	6A0-14325-00

MOTORES / ENGINES / MOTORI
15>300HP



Ref.	R.O.
REC50M-14355-00	50M-14355-00

MOTORES / ENGINES / MOTORI
20>50HP



Ref.	R.O.
REC66T-14992-00	66T-14992-00

MOTORES / ENGINES / MOTORI
40X/E40X/E40M



Ref.	R.O.
REC6F5-14323-00	6F5-14323-01

MOTORES / ENGINES / MOTORI
E40G/E40J
40G/40J



Ref.	R.O.
REC692-14923-00	692-14923-00

MOTORES / ENGINES / MOTORI
40>90HP



Ref.	R.O.
REC663-14923-00	663-14923-00

MOTORES / ENGINES / MOTORI
E48C
55B
E55CMH



Ref.	R.O.
REC6E5-14328-01	6E5-14328-01

MOTORES / ENGINES / MOTORI
115>225HP



Ref.	R.O.
REC64D-14394-00	64D-14394-00

MOTORES / ENGINES / MOTORI
115>225HP



Ref.	R.O.
REC6E5-14323-03	6E5-14323-03

MOTORES / ENGINES / MOTORI
115>250



BOYAS FLOATS GALLEGGIANTI

Ref.	R.O.
REC6G1-14985-00	647-14323-00

MOTORES / ENGINES / MOTORI
3A/M 70B
E60 40N-H
8C-M/T 50E-D
60F 6C/M/D



Ref.	R.O.
REC647-14385-00	647-14385-00

MOTORES / ENGINES / MOTORI
4AC 9.9D
5C 15D



Ref.	R.O.
REC6E7-14385-00	6E7-14385-00

MOTORES / ENGINES / MOTORI
4AC 9.9D
5C 15D
E8D



YAMAHA

**RECAMBIOS
MARINOS S.L.**

Ref.	R.O.
REC676-14966-00	679-14966-00

MOTORES / ENGINES / MOTORI
8>100HP



Ref.	R.O.
REC63V-14985-00	63V-14985-00

MOTORES / ENGINES / MOTORI
9.9F-M F25
13.5A F30
15F-M F40
F20



Ref.	R.O.
REC6L2-14385-00	6L2-14385-00

MOTORES / ENGINES / MOTORI
13.5>60HP



Ref.	R.O.
REC648-14385-00	648-14385-00

MOTORES / ENGINES / MOTORI
20C
25D
30A



Ref.	R.O.
REC6F6-14385-00	6F6-14385-00

MOTORES / ENGINES / MOTORI
40G/J
E40G/J



Ref.	R.O.
REC676-14985-01	676-14985-01

MOTORES / ENGINES / MOTORI
40Q 80A
75A 85A
E75B 90A/E



Ref.	R.O.
REC6E5-14385-02	6E5-14385-02

MOTORES / ENGINES / MOTORI
40X 175D/A
E40 200A
100A 200G/F/B
115C 225D
115A-B 225A
130B 250G
150F/A



PASADOR BOYA
PIN FLOAT
SPINOTTO GALLEGGIANTE

Ref.	R.O.
REC688-14548-00	688-14548-00

MOTORES / ENGINES / MOTORI
3>90HP



Ref.	R.O.
REC676-14186-00	676-14186-00

MOTORES / ENGINES / MOTORI
3>100HP



Ref.	R.O.
REC647-14386-10	647-14386-10

MOTORES / ENGINES / MOTORI
4AC/M/AS 9.9D
FT/F9.9A/B F8AM/BM
5C/CM/CS 15D
T9.9EL



Ref.	R.O.
PAF25-05070019	6H4-14548-00

MOTORES / ENGINES / MOTORI
9.9>100HP



Ref.	R.O.
REC6E5-14386-01	6E5-14386-01

MOTORES / ENGINES / MOTORI
9.9>200HP



Ref.	R.O.
REC663-14548-00	663-14548-00

MOTORES / ENGINES / MOTORI
E48C
55B
E55CMH



Ref.	R.O.
REC6E5-14386-02	6E5-14386-02

MOTORES / ENGINES / MOTORI
115>200HP



CABLE ACELERADOR Y COMPLEMENTOS
THROTTLE CABLE & COMPLEMENT
CAVO ACCELERATORE E COMPONENTI

Ref.	R.O.
REC6E0-26301-01	6E0-26301-01

MOTORES / ENGINES / MOTORI
4AC/A/AS
5C/CS/CMH



Ref.	R.O.
REC677-26301-02	677-26301-02

MOTORES / ENGINES / MOTORI
E8D
E8DMH



Ref.	R.O.
REC6L2-26301-00	6L2-26301-00

MOTORES / ENGINES / MOTORI
9.9F/FM
13.5AM
15F/FM
20D/M
25N/NE/NW/D/M



Ref.	R.O.
REC6B4-26301-00	6B4-26301-00

MOTORES / ENGINES / MOTORI
E15D
E9.9D



Ref.	R.O.
REC61N-26311-00	61N-26311-00

MOTORES / ENGINES / MOTORI
25B/BM/V
30G/E30H



Ref.	R.O.
REC6F5-26311-00	6F5-26311-00

MOTORES / ENGINES / MOTORI
E40G/J
40G/J



Ref.	R.O.
REC66T-26301-00	66T-26301-00

MOTORES / ENGINES / MOTORI
40X/E40X



Ref.	R.O.
REC663-42138-00	663-42138-00

MOTORES / ENGINES / MOTORI
55B/BET
E55
E60
75A5
85AE



Ref.	R.O.
REC663-48344-00	663-48344-00

MOTORES / ENGINES / MOTORI
6>115HP



BOMBA COMBUSTIBLE FUEL PUMP POMPA BENZINA

Ref.	R.O.
REC6E5-24410-03	6E5-24410-01-00

MOTORES / ENGINES / MOTORI
V4
V6 (1989-03)



Ref.	R.O.
PAF4-04090000	67D-24410-03

MOTORES / ENGINES / MOTORI
F4



Ref.	R.O.
PAF15-07140000	66M-24410-11

MOTORES / ENGINES / MOTORI
F9.9/13.5/15



Ref.	R.O.
REC692-24410-00	692-24410-00, 6A0-24410-00/05/03/04

MOTORES / ENGINES / MOTORI
25-85HP



Ref.	R.O.
PAF25-05130000	62Y-24410-04

MOTORES / ENGINES / MOTORI
F20/25//30/40/45/50/60



Ref.	R.O.
REC68F-13907-01	68F-13907-01

MOTORES / ENGINES / MOTORI
VZ, Z150 (2000-07)
VZ, Z175 (2001-07)
V, L, Z200 (2000-07)



Ref.	R.O.
REC63P-13907-03	63P-13907-03,02,01,00

NEW

MOTORES / ENGINES / MOTORI
F150 A/AET/AETL/AETX/AET1/
AET2/BET/BETX/DET/DET
F150 TRC/TXRC/TLRC/TR/TLRD/
TLR/TLRF/TRG/TXR/TRF
(2004+)
4 T / Strokes /Tempi



Ref.	R.O.
REC69J-13907-03	69J-13907-03, 02, 01, 00

NEW

MOTORES / ENGINES / MOTORI
F200 A/AETX/AET/AETU
F200 TXRA/TXRB/TXRC/TXRD/TR/TXR/TXRF
F225 A/AETU/AETX/AET/TXRA/TXRB/TXRC/
TXRD/TXRF
F225 TXR/TR/TURD/TURC
(2002-07)
4 T / Strokes /Tempi



Ref.	R.O.
REC69J-24410-02	69J-24410-02,01,00



MOTORES / ENGINES / MOTORI

F200 A/AETX/AET/CETX
 F200 TXRA/TXRB/TXRC/TXRD/TR/TXR/TXRF
 F225 A/AETU/AETX/AET/B/BETU/BETX/CET/CETL
 F225 TXRA/TXXB/TXRC/TXRD/TXR/TXRF/TR/
 TURD/TURC
 F250 AET/AETX/AETU/A/BET/
 BETX/BETU
 F250 TXR/TURF/TXRF
 (2002-11)
 4 T / Strokes / Tempi



Ref.	R.O.
REC6AW-13907-00	6AW-13907-00, 6P2-13907-00



MOTORES / ENGINES / MOTORI

F200 C/ CETX (2006-11)
 F225 B /BETX/CET/CETL (2006-11)
 F225 BETU/BETX/A/AETU/AETX/TURF/TRG/
 TXRF (2006-11)
 F350 AET/AETU/AETX/TRG/TURG (2008-11)
 4 T / Strokes / Tempi



Ref.	R.O.
REC66K-13907-00	66K-13907-00, 65L-13907-00, 67H-13907-00

MOTORES / ENGINES / MOTORI

225G (1999-02)
 250BETO (1997-02)
 L/SX250 TXR (2000-02)
 225FETO/FETOX (2003)



Ref.	R.O.
REC67H-13907-00	67H-13907-00

MOTORES / ENGINES / MOTORI

225G/GETOL/FETO (2003)
 250B/BETO/TXRA (2003)



Ref.	R.O.
REC60V-13907-00	60V-13907-00

MOTORES / ENGINES / MOTORI

Z, LZ 250 (2003-07)
 Z, LZ 300 (2003-07)



Ref.	R.O.
REC68V-13907-00	68V-13907-03

MOTORES / ENGINES / MOTORI

Z, LZ 250DET/TR/FET (2003-07)
 Z, LZ 300AET/TR/TX (2004-07)



**MEMBRANAS BOMBA COMBUSTIBLE
 FUEL PUMP DIAPHRAGMS
 MEMBRANA POMPA BENZINA**

Ref.	R.O.
REC6G1-24411-00	6G1-24411-00

MOTORES / ENGINES / MOTORI
 3-15HP



Ref.	R.O.
REC6E0-24411-00	6E0-24411-00

MOTORES / ENGINES / MOTORI
 4C/5C/AC



Ref.	R.O.
REC6E0-24471-00	6E0-24471-00

MOTORES / ENGINES / MOTORI
 4HP



Ref.	R.O.
REC6G1-24471-00	6G1-24471-00

MOTORES / ENGINES / MOTORI
 6-8HP



Ref.	R.O.
REC677-24471-01	677-24471-01

MOTORES / ENGINES / MOTORI
 E8D/9.9D/15D



Ref.	R.O.
REC63V-24411-00	63V-24411-00

MOTORES / ENGINES / MOTORI
 9.9
 13.5
 15HP



Ref.	R.O.
REC677-24411-02	677-24411-02

MOTORES / ENGINES / MOTORI
 9.9>15HP



Ref.	R.O.
REC648-24411-00	648-24411-00

MOTORES / ENGINES / MOTORI
 20>70HP



Ref.	R.O.
REC692-24411-00	692-24411-00

MOTORES / ENGINES / MOTORI
 20>90HP



Ref.	R.O.
PAF25-05130005	62Y-24471-00

MOTORES / ENGINES / MOTORI
F25>F80HP



Ref.	R.O.
REC663-24411-00	663-24411-00

MOTORES / ENGINES / MOTORI
25>90HP



Ref.	R.O.
REC6J8-24471-00	6J8-24471-00

MOTORES / ENGINES / MOTORI
30HP



Ref.	R.O.
REC6E5-24411-00	6E5-24411-00-00

MOTORES / ENGINES / MOTORI
115/150/175/200HP



Ref.	R.O.
REC6E5-24471-00	6E5-24471-00

MOTORES / ENGINES / MOTORI
115>250HP



JUNTAS BOMBA COMBUSTIBLE FUEL PUMP GASKETS GUARNIZIONI POMPA BENZINA

Ref.	R.O.
REC6G1-24431-01	6G1-24431-01

MOTORES / ENGINES / MOTORI
3A/MSH
6C/CEM/D/DEM/TRV/MSH/CMH
8C/CEM/TRV/MSH/CMH/MH
9.9F
13.5AWH
15F



Ref.	R.O.
REC6E0-24434-00	6G1-24431-01

MOTORES / ENGINES / MOTORI
4AC/MSH/AS/A
5C/CS/CMH



Ref.	R.O.
REC6E0-24435-00	6E0-24435-00

MOTORES / ENGINES / MOTORI
4AC/MSH/AS/A
5C/CS/CMH



Ref.	R.O.
REC677-24435-01	677-24435-01

MOTORES / ENGINES / MOTORI
9.9D
15D
20DM/DEO
25NE/NEMO



Ref.	R.O.
REC648-24434-01	648-24434-01

MOTORES / ENGINES / MOTORI
20C/CM
25Q/D/B/BMH
25V/VE
E30HMH
30G/H
40V/VM/VE/YE
C40
E40
E40X
40X
50G/GEO/GETO/H/D
55B/BE
60FEO/FETO/TLR
E60H
70B/BETO
75CETO/AE
E75B
80A/AE
85A/AE
90A/AEO/AET



Ref.	R.O.
REC648-24435-02	648-24435-02

MOTORES / ENGINES / MOTORI
20C/CM
25Q/D/B/BMH
25V/VE
E30HMH
30G/H
40V/VM/VE/YE
C40
E40
E40X
40X
50G/GEO/GETO/H/D
55B/BE
60FEO/FETO/TLR
E60H
70B/BETO
75CETO/AE
E75B
80A/AE
85A/AE
90A/AEO/AET



Ref.	R.O.
REC650-24431-A0	650-24431-A0

MOTORES / ENGINES / MOTORI
25-300HP



Ref.	R.O.
REC6E5-24435-00	6E5-24435-00

MOTORES / ENGINES / MOTORI
100A/TLR
115A/ETN/BET/B/
BICET/TLR
130BETO
140AETO
150AETO/ETN/FETO
175AETO/DETO/BETO
200AETO/ETN
V200/G/BETO
220AET
225DETO/BETO
250AET
Z300



Ref.	R.O.
REC6E5-24434-02	6E5-24434-02

MOTORES / ENGINES / MOTORI
100A/TLR
115A/ETN/BET/B/
BICET/TLR
130BETO
140AETO
150AETO/ETN/FETO
175AETO/DETO/BETO
200AETO/ETN
V200/G/BETO
220AET
225DETO/BETO
250AET
Z300



TERMOSTATO THERMOSTAT TERMOSTATO

Ref.	R.O.
PAT15-04000010	69M-12411-01-00

MOTORES / ENGINES / MOTORI
F2.5MSH-0405
F2.5MSH-0406
F2.5MSH-0407
F2.5MSH-0408
F2.5MSH-2005



Ref.	R.O.
REC6E5-12411-02	6E5-12411-02

MOTORES / ENGINES / MOTORI
8MSH-(0405)
8MSH-(046)
8MSH-(0407)
8MSH-(2006-08)
8MSHD-(2000-05)



Ref.	R.O.
REC6F5-12411-03	6F5-12411-03

MOTORES / ENGINES / MOTORI
9.9EL
9.9ES
15EL
15ES (1986-95)
9.9L
9.9S
15L
15S (1986-90)
9.9M
15ML
C55EL 1991-95)
C25EL
C40EL (1991-97)
C25ML (1993-97)
C25MS
C40MS
C40PL (1992-97)
C30EL (1991-92)
CV30EL (1989-90)
C40ML (1994-95)
C55TL (1993-95)
CV25EL
CV25EM
CV40EL (1990)
CV55EL (1989)



Ref.	R.O.
REC6E5-12411-30	6E5-12411-30

MOTORES / ENGINES / MOTORI

9.9-15 (1996-06)
20 (1996-97)
25 (1988-95)
30, 3-cyl (1987-91)
40 (1986-05)
C40 3cyl (1998-02)
50 (1986-05)
C50 (1998-01)
P50 (1987-96)
115(1984-05)
B115 (1998-99)
C115 (1991-00)
P115(1993-96)
S115/S130 (1996-98)
130L/130 (1988-05)
150/175/200 (1986-05)
C150 (1996-99)
D150/DX150 (1997-05)
L150/L200 (1986-99)
LX150/LX200 (1999-01)
P150 (1986-99)
PX150 (1999)
SX150/SX200 (1999-04)
V150 (2000-05)

VX150 (2000-05)
VZ150/VZ175/VZ200 (2001-05)
Z150/Z175/Z200 (2000-05)
P200 (1991-93)
V200/V225 (1998-99)
VX200/VX225 (2000-05)
V6 Special (1984-86)
V6 Excel (1987-89)
225 2.6L (1990-97)
S225/L225 3.1L (1994-99)
SX225/LX225 3.1L (2000-02)
250/L250 2.6L (1990-95)
S250/L250 3.1L (1996-99)
SX250/LX250 3.1L (2000-02)
VX250 3.1L (2002-04)



Ref.	R.O.
PAF15-07000031	66M-12411-01

MOTORES / ENGINES / MOTORI

15 (2006) F60 (2002-06)
F15 (1998-06) F9.9 (2005-06)
F25 (1999-06) T25 (2001-06)
F30 (2001-06) T50 (1996-06)
F40 (1999-06) T60 (2003-06)
F50 (1996-06) T9.9 (2005-06)



Ref.	R.O.
REC688-12411-10	688-12411-11

MOTORES / ENGINES / MOTORI

25JEO/J/ESH
30DETO/DMH/MLH/DEO/ELH
75CETO/TLR/AE/E75B
80AEO/AET/AEM
85A/AE
90AET/TLRC/AEO



Ref.	R.O.
REC6H3-12411-10	6H3-12411-11

MOTORES / ENGINES / MOTORI

60TLR-(0402)
70TLR-(0405)
70TLR-(0406)
70TLR-(0407)
70TLR-(0408)



Ref.	R.O.
REC67F-12411-01	67F-12411-01

MOTORES / ENGINES / MOTORI

F75BET/TR/TLR F225AET/TR/TXR/
F80CED/BET BET/CET
F100BET/AET F250BET/AET/TXR/
F150AET/TLR/TR/BET TVR
F200AET/TXR/C/CET



Ref.	R.O.
REC60V-12411-00	60V-12411-00

MOTORES / ENGINES / MOTORI

Z-LZ250DETO/TR/TXR
ZV250FETO (2003-07)
F115AET/TR/TJR/TRG/A (2015+)
300Z/LZ/AETO/
TR/TXR (2004-07)



**JUNTAS TERMOSTATO
THERMOSTAT GASKET
GUARNIZIONI TERMOSTATO**

Ref.	R.O.
PAF4-04000011	68D-E2414-A0

MOTORES / ENGINES / MOTORI

F2.5
F4
F5
F6



Ref.	R.O.
REC6G8-12414-A0	6G8-12414-A0

MOTORES / ENGINES / MOTORI

T8/T9.9
F6/8/9.9
FT8/9.9



Ref.	R.O.
PAF15-07010022	62Y-12414-00

MOTORES / ENGINES / MOTORI

F9.9 FT25
F60 FT50
F30 FT60
F13.5 F15/20/25/40/45/50
F70 T50TLR
FT9.9 T60TLR
T9.9TLR T25TLR



Ref.	R.O.
REC682-12414-A1	682-12414-A1

MOTORES / ENGINES / MOTORI

9.9D/F/FMH/FEMH/MH/MSH
15D
E9.9DMH
13.5AMH
15F/FEMH/FMH/MSH/MH
E15DMH



Ref.	R.O.
REC61A-12414-A0	61A-12414-A0

MOTORES / ENGINES / MOTORI

20DM/MSH
25J/JETO/NEM/NWC/D/DM
30D/DMH
40V/VMH/VEO
C40MLH/T
50H/HM
225C/CET/FETO/G
250AET/B/TXR/G/GETO



Ref.	R.O.
REC655-12414-A1	655-12414-A1

MOTORES / ENGINES / MOTORI

20C/CM
E25A
E25BMH
25VE/VM/DE/D/B/BMH/BWH/HMH
30G/GE/A
E30HMH
30HMH/HWH/HWL



Ref.	R.O.
REC676-12414-A0	676-12414-A1

MOTORES / ENGINES / MOTORI

40X/E40X/E40MLH



Ref.	R.O.
REC6E9-12414-A1	6E9-12414-A1

MOTORES / ENGINES / MOTORI

40QE/QM/QEZ/QWC/GWH/JWH
E40GMH/JMH



Ref.	R.O.
REC663-12414-00	663-12414-A0

MOTORES / ENGINES / MOTORI
E48CMHS
55B/BET/BE/BM
E55CMH



Ref.	R.O.
REC688-12414-A1	688-12414-A1

MOTORES / ENGINES / MOTORI
75CETO/AE Z150
E75B 175D/DETO/DETO
80AE/A Z175
85AE/A 225D/DETO
90AE/TLR VZ200
100A/TLR Z200
115BE/B 200AET/CETO/F/
115A/AETO/CET FETO/G/GETO
130BETO/TLR
150F/TXRA/FETO/C



COLAS COMPLETAS COMPLETE GEARCASE ASSEMBLY PIEDI COMPLETI

Ref.	R.O.	Cola completa Complete gearcase Piedi completi	Reducción Gear ratio Riduzione
PAF2.6-03020000S	69M-65300-01-4D	17"	2.08
PAF2.6-03020000L	69M-65300-11-4D	22"	2.08

MOTORES / ENGINES / MOTORI
F2.5 (2003+)



Ref.	R.O.	Cola completa Complete gearcase Piedi completi	Reducción Gear ratio Riduzione
PAF15-06100000S	66M-45300-02-4D	17.3"	2.08
PAF15-06100000L	66M-45300-11-4D	22.3"	2.08

MOTORES / ENGINES / MOTORI
F9.9 (1998-2008)
F13.5 (2002-2007)
F15 (1998-2007)



Ref.	R.O.	Cola completa Complete gearcase Piedi completi	Reducción Gear ratio Riduzione
PAF4-0310000S	68D-65300-03-4D	17.1"	2.08
PAF4-0310000L	68D-65300-11-4D	22.1"	2.08

MOTORES / ENGINES / MOTORI
F4 (1998-2009)



Ref.	R.O.	Cola completa Complete gearcase Piedi completi	Reducción Gear ratio Riduzione
PAF25-04090000S	65W-45300-01-4D	16.6"	2.08
PAF25-04090000L	65W-45300-01-4D	21.6"	2.08

MOTORES / ENGINES / MOTORI
F20 (1998-2003)
F25 (1998+)



YAMAHA

**RECAMBIOS
MARINOS S.L.**

Ref.	R.O.	Cola completa Complete gearcase Piedi completi	Reducción Gear ratio Riduzione
REC405-A20	6E5-45300-17-8D	20° V4	2.0:1
REC405-A25	6E5-45300-27-8D	25° V4	2.0:1



MOTORES / ENGINES / MOTORI

115HP (1984+)
130HP (1987+)



Ref.	R.O.	Cola completa Complete gearcase Piedi completi	Reducción Gear ratio Riduzione
REC416-A20	64D-45300-01-8D	20° V6 90° 2.6L	1.86:1
REC416-A25	64D-45300-21-8D	25° V6 90° 2.6L	1.86:1
REC418-A25	64P-45300-10-8D	25° V6 90° 2.6L	Contrarrotación/ Counterrotation / Controrotante 1.86:1



MOTORES / ENGINES / MOTORI

150HP (1984+)
175HP (1984+)
200HP (1984+)
225HP (1990+)



Ref.	R.O.	Cola completa Complete gearcase Piedi completi	Reducción Gear ratio Riduzione
REC421-A20	66K-45300-12-NA	20° V6 76° 3.1L / 3.2 L	1.81
REC421-A25	60V-45300-20-8D	25° V6 76°	1.81
REC428-A25	60W-45300-20-8D	25° V6 90° 3.1L / 3.2 L	Contrarrotación/ Counterrotation / Controrotante 1.81



MOTORES / ENGINES / MOTORI

V6
250D / DETO / DETOX / TR / TXR

No funciona en 250HP (4T)
Does not work on 250HP (4-Stroke)
Non funziona con i 250HP (4 tempi)



Ref.	R.O.	Cola completa Complete gearcase Piedi completi	Reducción Gear ratio Riduzione
REC416-B20	64K-45300-02-NA	20" V6 90° 2.6L	2.0:1



MOTORES / ENGINES / MOTORI

150HP (1987+) 200HP (1989+)
175HP (1989+) 225HP (1992+)

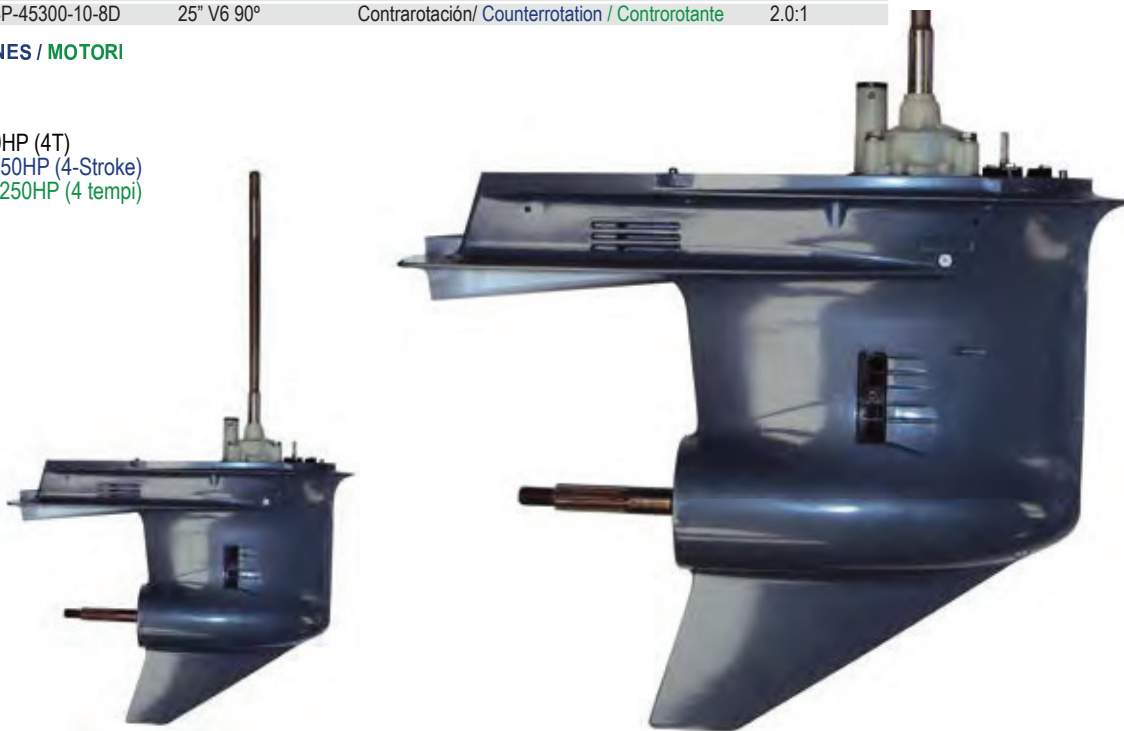
Ref.	R.O.	Cola completa Complete gearcase Piedi completi	Reducción Gear ratio Riduzione
REC416-B20F	63P-45300-00-8D	20" V6 90°	2.0:1
REC416-B25F	63P-45300-10-8D	25" V6 90°	2.0:1
REC418-B25F	64P-45300-10-8D	25" V6 90°	2.0:1



MOTORES / ENGINES / MOTORI

20" -> F150HP
25" -> LF150 HP

No funciona en 250HP (4T)
Does not work on 250HP (4-Stroke)
Non funziona con i 250HP (4 tempi)

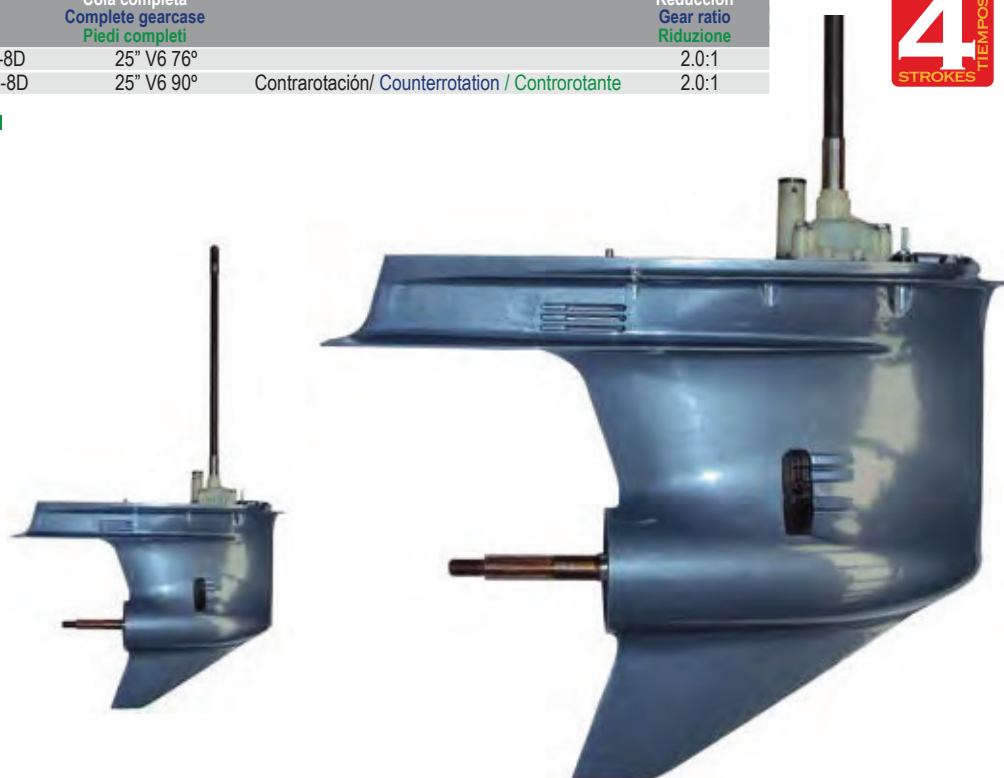


Ref.	R.O.	Cola completa Complete gearcase Piedi completi	Reducción Gear ratio Riduzione
REC421-B25F	69J-45300-21-8D	25" V6 76°	2.0:1
REC428-B25F	69K-45300-21-8D	25" V6 90°	2.0:1



MOTORES / ENGINES / MOTORI

F200 HP
F225 HP



YAMAHA

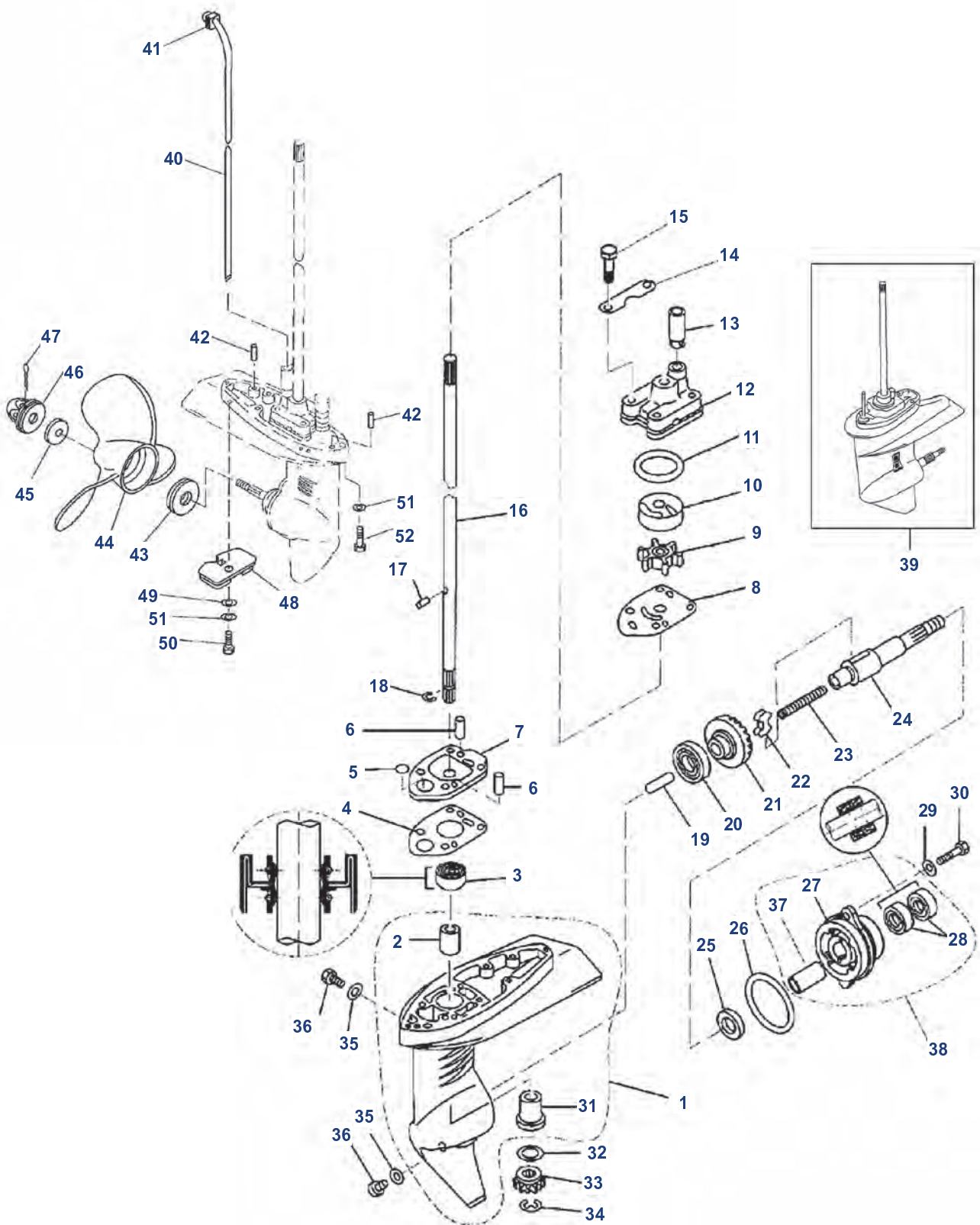
**RECAMBIOS
MARINOS s.L.**

DESPIECE COLA GEARCASE COMPONENTS ESPLOSO PIEDE

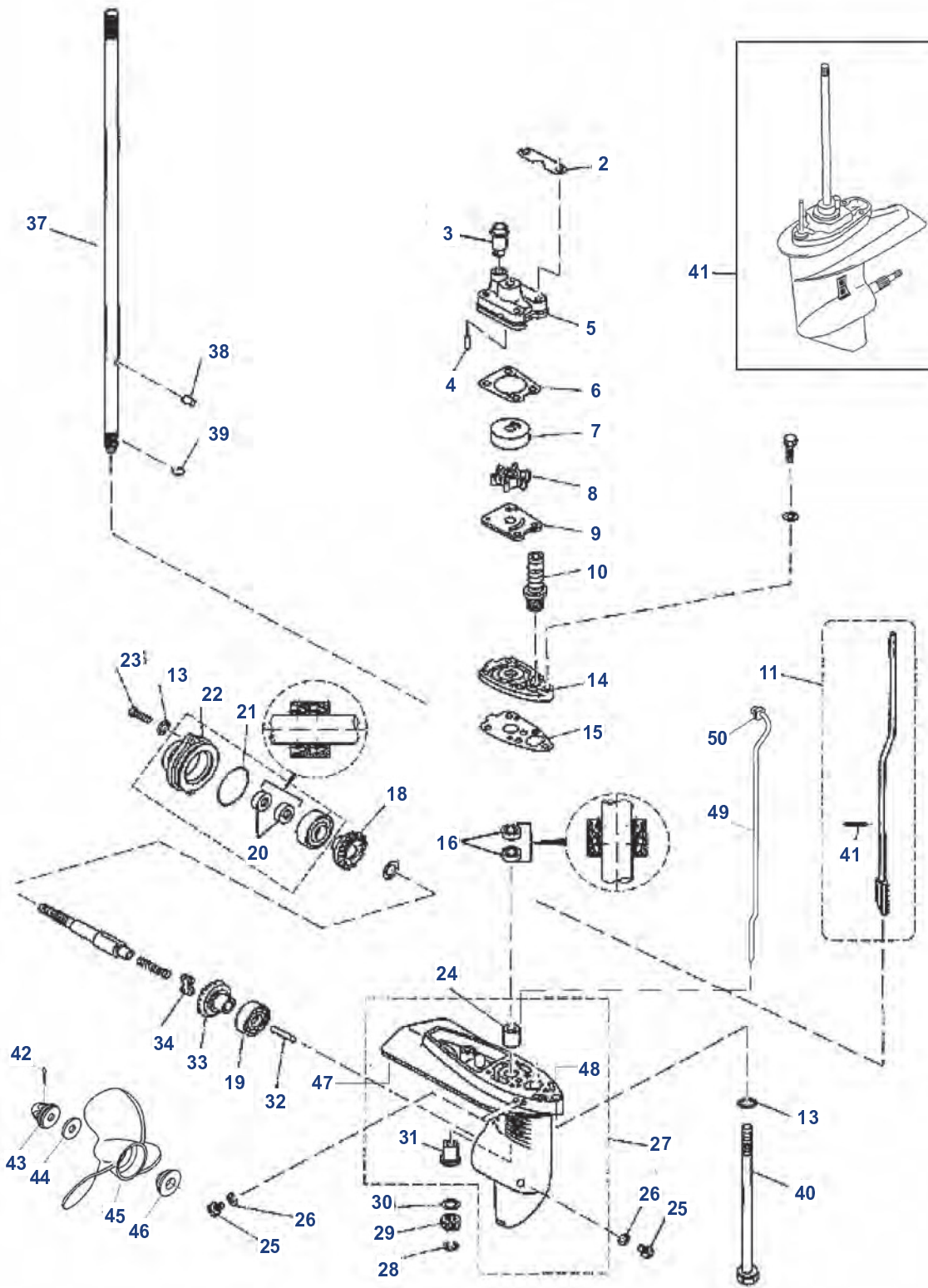
RECMAR®

4
TIEMPOS
STROKES

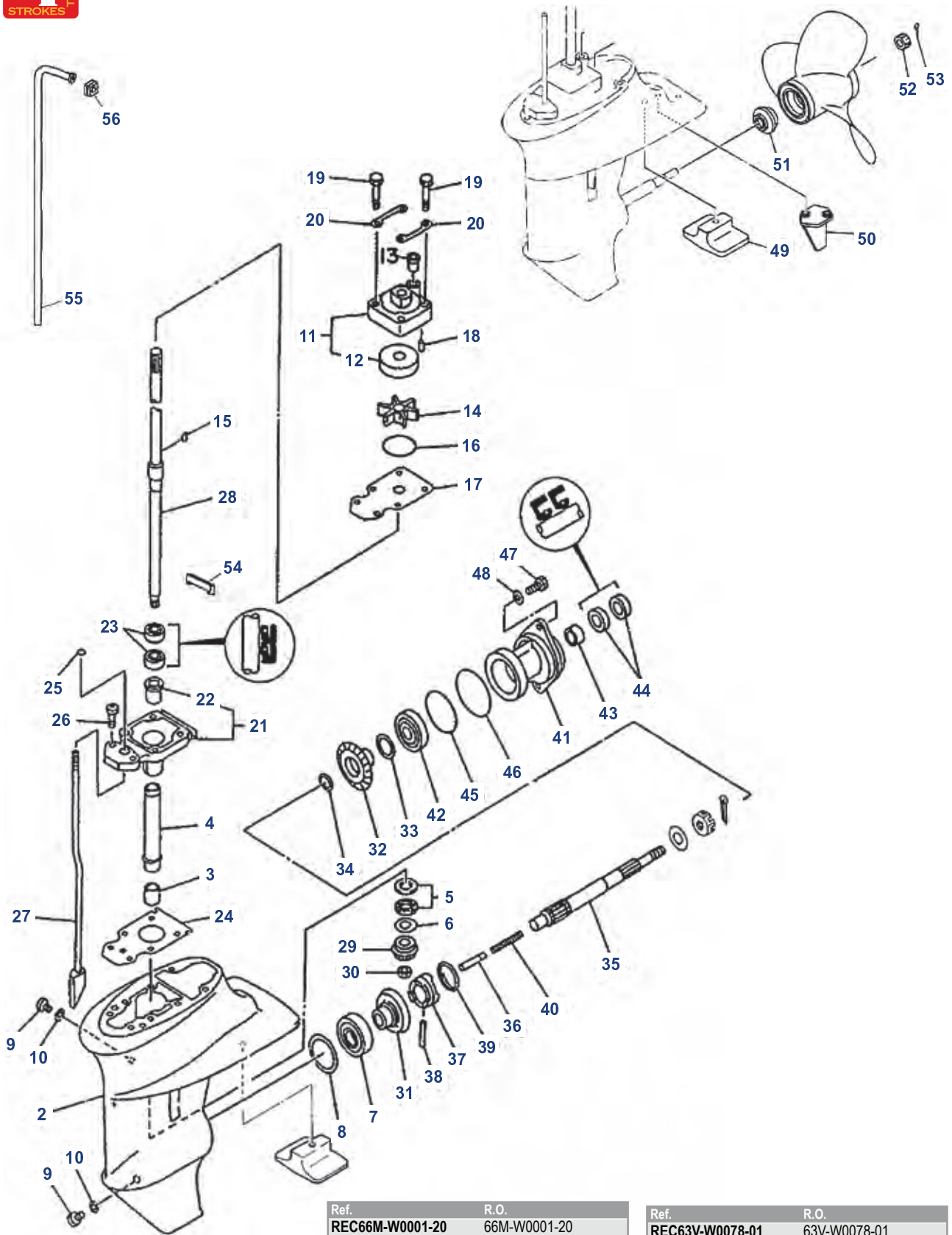
F2.5 (2003+)



Nº	Ref.	R.O.	OEM	Descripción	Description	Descrizione
1	PAF2.6-03000001	69M-G5311-00-4D		CARCASA	LOWER CASING	CARCASSA
2	PAF2.6-03000003	6L5-45316-09		COJINETE	BEARING	CUSCINETTO
3	PAF2.6-03000004	93103-09M41		RETÉN	OIL SEAL	PARAOLIO
4	PAF2.6-03000007	69M-G5315-A0		JUNTA	GASKET, WATER PUMP	GUARNIZIONE
5	PAF2.6-03000009	93210-05001		ARO TÓRICO	O-RING	O-RING
6	PAF4-03000013	93604-18080		PASADOR	PIN	SPINOTTO
7	PAF2.6-03000008	69M-G5321-00-94		CUERPO BOMBA	HOUSING, WATER PUMP	CORPO POMPA ACQUA
8	PAF2.6-03000010	69M-G4323-00		PLACA	OUT PLATE	PIASTRA
9	PAF2.6-03000100	6L5-44352-00		TURBINA	IMPELLER ASSY	GIRANTE
10	PAF2.6-03000015	6L5-44322-00		TAPA BOMBA AGUA	COVER, INNER WATER PUMP	TAPPO
11	PAJASOF40419-033	93210-33M85		ARO TÓRICO	O-RING	O-RING
12	PAF2.6-03000014	69M-G4311-00		CUERPO BOMBA	WATER PUMP HOUSING	CORPO POMPA ACQUA
13	PAF4-03000021	6R0-44366-00		TUBO BOMBA AGUA	RUBBER TUBE, WATER PUMP	TUBO
14	PAF2.6-03000016	69M-G4328-00		PLATO BOMBA DE AGUA	PLATE, WATER PUMP FIXED	PIASTRA
15	PAGB/T5783-2000	97095-06040		TORNILLO	BOLT	VITE
16	PAF2.6-03000011S	69M-G5511-00		EJE VERTICAL	DRIVE SHAFT	ASSE VERTICALE
17	PAF2.6-03000013	93604-07M13		PASADOR	PIN	SPINOTTO
18	PAF2.6-03000012	93440-08819		CLIP	BOLT, DISCHARGING OIL	TAPPO
19	PAF2.6-03000020	69M-G5635-00		TAPÓN CAMBIO	PLUG, SHIFT	TAPPO
20	PANTN16003EY	93316-003Y0		COJINETE	BALL BEARING	CUSCINETTO
21	PAF2.6-03000019	6L5-45560-00		MARCHA POSITIVA	POSITIVE GEAR ASSY	MARCIA AVANTI
22	PAF2.6-030000202	6L5-45631-00		SELECTOR	CLUTCH BLOCK	SELETTORE
23	PAF4-03030003	90501-10064		MUELLE	SPRING, CLUTCH BLOCK	MOLLA
24	PAF2.6-030000201	6L5-45631-00		EJE HÉLICE	SHAFT, PROPELLER	ASSE ELICA
25	PAF2.6-03000021	90201-13198		ARANDELA	WASHER	RONDELLA
26	PAJISB2401P48	93210-48214		ARO TÓRICO	O-RING	O-RING
27	PAF2.6-030000301	69M-G5361-00-4D		TAPA CARTER	COVER, LOWER CASING	TAPPO CARTER
28	PAF4-03050002	93101-13M12		RETÉN	OIL SEAL	PARAOLIO
29	PAGB/T5783-2000	92995-06600		TORNILLO	BOLT	VITE
30	PAGB/T97.1-8	97095-06016		ARANDELA	WASHER	RONDELLA
31	PAF2.6-03000002	6L5-45317-09		COJINETE	BEARING	CUSCINETTO
32	PAF2.6-03000017	6L5-45533-00-20		GRUESO	SHIM (t: 2.0mm)	SPESSORE
33	PAF2.6-03000018	6L5-45551-00		MARCHA	INITIATIVE GEAR	MARCIA
34	PAGB/T-896-86	99001-06600		CERCLIP	CIRCLIP	CIRCLIP
35	PAF4-03000024	90430-08020		JUNTA	GASKET	GUARNIZIONE
36	PAF4-03000023	90340-08002		TAPÓN ACEITE	PLUG, OIL HOLE	TAPPO
37	PAF2.6-030000302			COJINETE CAMISA	BEARING, SLEEVE	CUSCINETTO ASSE
38	PAF2.6-030000300			TAPA CARTER	COVER ASSY, LOWER CASING	TAPPO
39	PAF2.6-0300000L	69M-G5300-01-4D		COLA COMPLETA -GRANDE	COMPLETE GEAR HOUSING -LARGE	PIEDE COMPLETO -GRANDE
39	PAF2.6-0300000S	69M-G5300-00-4D		COLA COMPLETA -PEQUEÑA	COMPLETE GEAR HOUSING -SMALL	PIEDE COMPLETO -PICCOLO
40	PAF2.6-02000003	69M-44361-00		TUBO AGUA	WATER TUBE	TUBO
41	PAF4-02040002	68D-G4365-00		BANDA DE GOMA	I-SHAPED RUBBER BAND	BOCCOLA
42	PAF15-00000013	93604-12M07		PASADOR	PIN	SPINOTTO
43	PAF4-03000025	68D-G5978-00		ESPACIADOR	SPACER	SPESSORE
44	PAF2.6-03010000	6L5-45943-00-EL		HÉLICE	PROPELLER ASSY	ELICHE
45	PAF4-03000026	90201-08M54		ARANDELA	WASHER	RONDELLA
46	PAF4-03080000	6L5-45616-00		TUERCA	NUT ASSY	DADO
47	PAGB/T91-86	91490-25030		PASADOR ALETAS	PIN, COTTER	SPINOTTO
48	PAF4-03000022	68D-G5251-00		ÁNODO	ANODE	ANODO
49	PAGB/T861.1-87	92990-06300		ARANDELA	WASHER, INTERNAL TOOCH	RONDELLA
50	PAGB/T5783-2000	95895-06020		TORNILLO	BOLT	VITE
51	PAGB/T97.1-8			ARANDELA	WASHER	RONDELLA
52	PAGB/T5783-2000	97095-06030		TORNILLO	BOLT	VITE



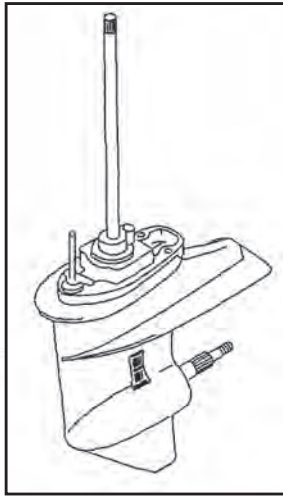
Nº	Ref.	R.O.	OEM	Descripción	Description	Descrizione
2	PAF4-03000020	68D-G4328-00		PLATO BOMBA AGUA	PLATE, WATER PUMP FIXED	PIASTRA POMPA
3	PAF4-03000021	67D-44366-00		TUBO GOMA BOMBA AGUA	RUBBER TUBE, WATER PUMP	TUBO
4	PAF4-03000013	93604-18080		PASADOR BOMBA AGUA	PIN, WATER PUMP	SPINOTTO POMPA ACQUA
5	PAF4-03000019	68D-G4311-01		CUERPO BOMBA AGUA	HOUSING, WATER PUMP	CORPO POMPA
6	PAF4-03000018	68D-G4315-A0		JUNTA TAPA BOMBA AGUA	GASKET, WATER PUMP COVER	GUARNIZIONE
7	PAF4-03000017	6E0-44322-02		TAPA, BOMBA AGUA	COVER, INNER WATER PUMP	COPERCHIO
8	PAF4-03060000	6E0-44352-00		TURBINA BOMBA AGUA	IMPELLER, WATER PUMP	GIRANTE POMPA
9	PAF4-03000015	6E0-44323-00		PLATO	OUT PLATE	PIASTRA
10		6L2-44147-00		GOMA, VARILLA DE CAMBIO	RUBBER JACKET, SHIFT ROD	GOMMA, ASTICELLA CAMBIO
11	PAF4-03020000	68D-G4150-10		VARILLA SELECTOR	CAM ASSY, SHIFT ROD	ASTICELLA CAMBIO
11	PAF4-03020000S	68D-G4150-00		VARILLA SELECTOR	CAM ASSY, SHIFT ROD -SMALL	ASTICELLA CAMBIO -CORTO
14	PAF4-03000012	68D-G5321-00		BASE BOMBA AGUA	BASE, WATER PUMP	BASE POMPA
15	PAF4-03000011	68D-G5315-A0		JUNTA HERMÉTICA BASE	HERMETIC GASKET, WATER PUMP BASE	GUARNIZIONE BASE POMPA ACQUA
16	PAF4-03000027	93101-10M14		RETÉN	OIL SEAL	PARAOLIO
18	PAF4-03040000	67D-45570-00		MARCHA INVERSA	REVERSE GEAR ASSY	RETROMARCIA
20	PAF4-03050002	93101-13M12		RETÉN	OIL SEAL	PARAOLIO
21	PAJISB2401P48	93210-48214		ARO TÓRICO	O-RING	O-RING
22	PAF4-03050001	68D-G5361-00-4D		TAPA CÁRTER	COVER, LOWER CASING	TAPPO CARTER
23	PAGB/T5783-2000	95895-06016-00		TORNILLO HEXAGONAL	HEXAGON BOLT M6x18	VITE
24	PAF4-03000003	6E0-45316-09		RODAMIENTO	BEARING	CUSCINETTO
25	PAF4-03000023	90340-08002		TAPA ACEITE	PLUG, OIL HOLE M80	TAPPO
26	PAF4-03000024	90430-08020		JUNTA	GASKET	GUARNIZIONE
27	PAF4-03000001	68D-G5300-11-4D		CÁRTER	LOWER CASING	CARTER
28	PAGB/T-896-86	99001-06600		CERCLIP	CIRCLIP 6	CIRCLIP
29	PAF4-03000007	6E0-45551-00		MARCHA INICIAL	INITIATIVE GEAR	MARCIA INIZIATIVA
30	PAF4-03000006	90204-11M49		ARANDELA	WASHER, INITIATIVE GEAR	RONDELLA
31	PAF4-03000002	6E0-45317-09		RODAMIENTO	BEARING	CUSCINETTO
32	PAF4-03000008	67D-45635-00		ÉMBOLO	PLUGER, SHIFT	BULLONE
33	PAF4-03010000	67D-45560-00		MARCHA POSITIVA	POSITIVE GEAR ASSY	MARCIA POSITIVA
34	PAF4-03030002	67D-45631-01		SELECTOR	CLUTCH BLOCK	SELETORE
37	PAF4-03000004	6E0-45511-11		EJE	SHAFT, DRIVE	ASSE
37	PAF4-03000004	6E0-45511-01		EJE	SHAFT, DRIVE -SMALL	ASSE
38	PAF4-03000016	93604-09066		PASADOR	PIN	SPINOTTO
39	PAF4-03000005	90467-08M01		CLIP	CLIP	CLIP
40	PAGB/T5782-2000			TORNILLO HEXAGONAL	HEXAGON BOLT L	VITE
40	PAGB/T5782-2000S			TORNILLO HEXAGONAL	HEXAGON BOLT S	VITE
41	PAF4-0310000L	68D-G5300-10-4D		COLA COMPLETA -GRANDE	COMPLETE GEAR HOUSING -LARGE	PIEDE COMPLETO -LUNGO
41	PAF4-0310000S	68D-G5300-00-4D		COLA COMPLETA -PEQUEÑA	COMPLETE GEAR HOUSING -SMALL	PIEDE COMPLETO -CORTO
42	PAGB/T91-86	91490-25030		PASADOR ALETAS	PIN, COTTER 2.5x30	PIN
43	PAF4-03080000	6L5-45616-00		TUERCA	NUT ASSY	DADO
44	PAF4-03000026	90201-08M54		ARANDELA INOX.	WASHER, STAINLESS STEEL	RONDELLA INOX.
45	PAF4-03070000	6E0-45943-01-EL		HÉLICE	PROPELLER ASSY	ASSE ELICA
46	PAF4-03000025	68D-G5987-00		ESPACIADOR	SPACER	SPESSORE
47	PAF4-03000022	68D-G5251-00		ÁNODO	ANODE	ANODO
48	PAF4-00000001	90387-06806		PASADOR VACÍO	HOLLOW PIN	SPINOTTO
49	PAF4-02040001	68D-G4360-10		TUBO AGUA	WATER TUBE ASSY	TUBO
49	PAF4-02040001S	68D-G4360-00		TUBO AGUA	WATER TUBE ASSY -SMALL	TUBO
50	PAF4-02040002			BANDA DE GOMA	I-SHAPED RUBBER BAND	NASTRO DI GOMMA



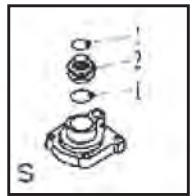
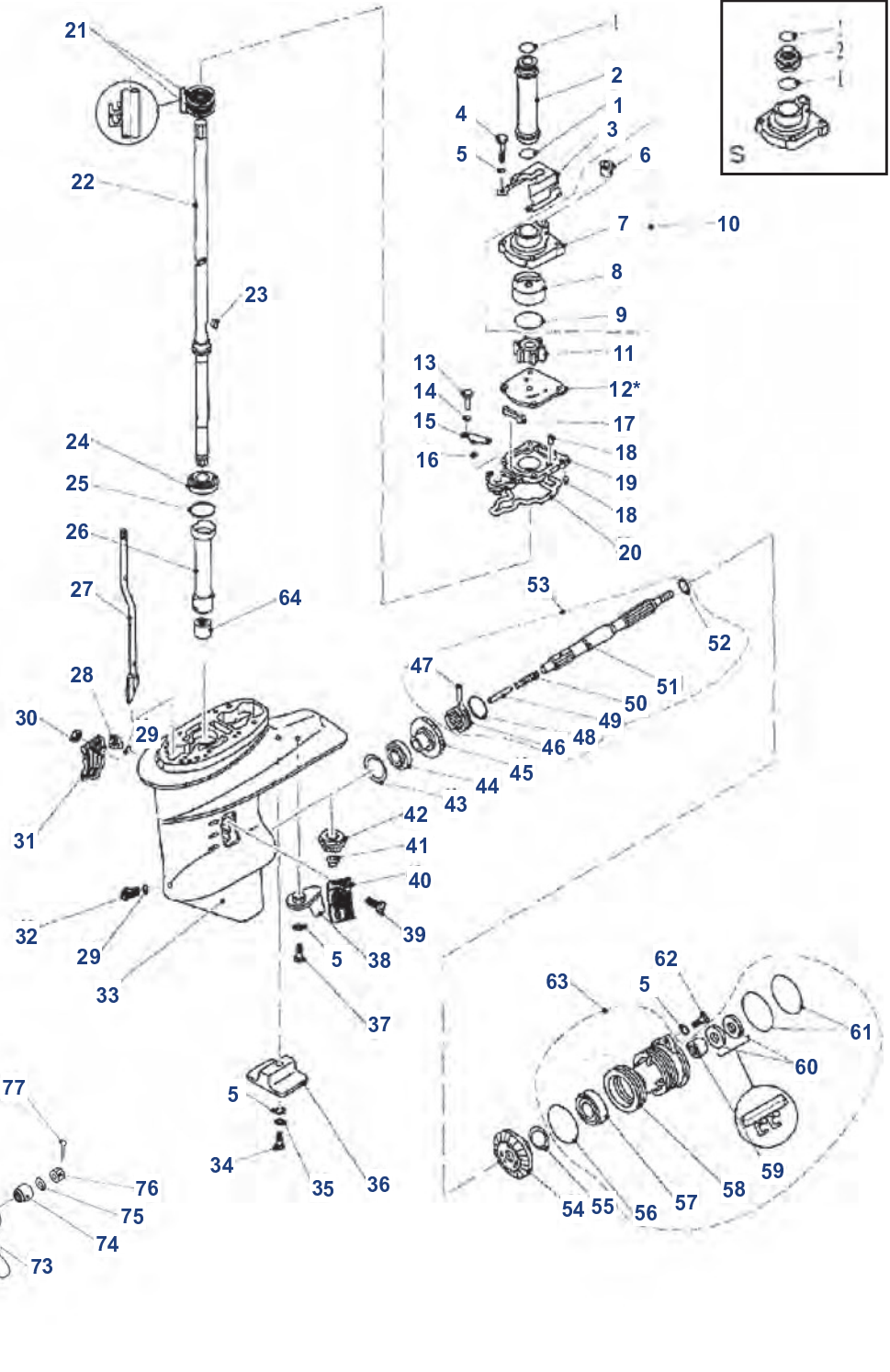
Ref.	R.O.
REC66M-W0001-20	66M-W0001-20
Kit juntas cola Gearcase seal kit Kit guarnizione piede	

Ref.	R.O.
REC63V-W0078-01	63V-W0078-01
Kit reparación Bomba agua Water Pump kit Kit riparazione Pompa acqua	

Nº	Ref.	R.O.	OEM	Descripción	Description	Descrizione
1	PAF15-0610000L	66M-45300-11-4D		CONJUNTO COLA "L"	LOWER UNIT "L"	PIEDI COMPLETI "L"
2	PAF15-0610000S	66M-45300-02-4D		CONJUNTO COLA "S"	LOWER UNIT "S"	PIEDI COMPLETI "L"
3	REC93315-314V8	93315-314V8		COJINETE AGUJAS	BEARING	CUSCINETTO
4	PAF15-06000006	63V-45536-00		CAMISA EJE	SLEEVE, DRIVE	TUBO GUIDA
5	REC93341-41414	93341-41414		COJINETE	BEARING	CUSCINETTO
6	PAF15-06000008	6E8-45587-10-13		GRUESO	SHIM	SPESSORE
7	REC93332-00005	93332-00005		COJINETE	BEARING	CUSCINETTO
8	PAF15-06000010-1	664-45567-01-10		GRUESO	SHIM	SPESSORE
9	PAF4-03000023	90340-08002		TAPÓN VACIADO	PLUG	TAPPO
10	REC90430-08020	90430-08020		JUNTA	GASKET	GUARNIZIONE
11	REC63V-44301-00	63V-44301-00		CUERPO BOMBA	PUMP HOUSING	CORPO POMPA
12	REC63V-44322-00	63V-44322-00		ACOPLE BOMBA	INSERT	GHIERA INOX.
13	PAF15-06060004	647-44366-00		RETÉN	DAMPER	BOCCOLA
14	REC63V-44352-01	63V-44352-01		TURBINA	IMPELLER	GIRANTE
15	REC664-44338-00	664-44338-00		CHAVETA	KEY	CHIAVETTA
16	REC93210-44398	93210-44398		ANILLO TÓRICO	O-RING	O-RING
17	REC63V-44323-00	63V-44323-00		PLATO BOMBA	OUTER PLATE	PIASTRA POMPA
18	PAF15-00000013	93604-12M07		PIN	PIN	SPINOTTO
19	REC97080-08045	97080-08045		TORNILLO	BOLT	VITE
20	PAF15-06000014	63V-44328-00		REFUERZO GUÍA	PLATE	PIASTRA
21	PAF15-06020001	63V-45331-00-5B		CUERPO COJINETE	HOUSING, BEARING	CUSCINETTO
22	REC626-45316-09	626-45316-09		CASQUILLO EJE	BUSHING	CAPPUCCIO ASSE
23	REC93101-20048	93101-20048		RETÉN	OIL SEAL	PARAOLIO
24	REC63V-45315-A0	63V-45315-A0		JUNTA	PACKING	GUARNIZIONE
25	REC93210-06ME6	93210-06ME6		ARO TÓRICO	O-RING	O-RING
26	PAGB/T5783-M8X25	97080-08025		TORNILLO	BOLT	VITE
27	PAF15-06030000S	63V-44150-00		EJE SELECTOR	SHIFT CAM S	ASSE SELETORE
28	PAF15-06040000S	63V-45510-00		EJE VERTICAL	DRIVE SHAFT S	ASSE VERTICALE
29	REC63V-45551-00	63V-45551-00		PIÑÓN	PINION	PIGNONE
30	REC90179-08M06	90179-08M06		TUERCA	NUT	DADO
31	REC6E7-45560-01	6E7-45560-01		PIÑÓN	GEAR	PIGNONE
32	REC6E7-45570-00	6E7-45571-00		PIÑÓN	GEAR	PIGNONE
33	PAF15-06080006-1	626-45577-00-01		GRUESO	SHIM	SPESSORE
34	REC90201-17682	90201-17682		ARANDELA	WASHER	RONDELLA
35	REC683-45611-00	683-45611-00		EJE HÉLICE	SHAFT PROPELLER	ASSE ELICA
36	REC650-45635-00	650-45635-00		PISTÓN	PLUNGER	PISTONE
37	REC682-45631-00	682-45631-00		SELECTOR	CLUTCH, DOG	SELETORE
38	REC90250-05010	90250-05010		PASADOR	PIN	SPINOTTO
39	REC648-45633-00	648-45633-00		MUELLE	SPRING, CROSS PIN	MOLLA
40	PAF15-06070002	90501-14M06		MUELLE	SPRING, COMPRESSION	MOLLA
41	REC683-45361-01-4D	683-45361-02-4D		DIÁBOLO	CAP, LOWER CASING	COP. CARTER INFERIORE.
42	REC93306-00501	93306-00501		COJINETE	BEARING	CUSCINETTO
43	REC93315-317U2	93315-317U2		COJINETE AGUJAS	BEARING	CUSCINETTO
44	REC93101-17054	93101-17054		RETÉN	OIL SEAL	PARAOLIO
45	REC93210-57M09	93210-57M09		ARO TÓRICO	O-RING	O-RING
46	PAF15-06080003	93210-56M80		ARO TÓRICO	O-RING	O-RING
47	PAGB/T5783-M6X20	97095-06020		TORNILLO	BOLT	VITE
48	PAGB/T97.1-6	92995-06600		ARANDELA	WASHER	RONDELLA
49	CM61N-45251-01	61N-45251-01		ÁNODO	ANODE	ANODO
50	CM66M-45371-00	66M-45371-00		ÁNODO TIMÓN	TAB-TRIM	ANODO
51	REC6E7-45987-00	6E7-45978-01		ESPACIADOR	SPACER	SPESSORE
52	REC90171-10M01	90171-10M01		TUERCA HÉLICE	NUT, CASTLE	DADO ELICA
53	REC91490-30020	91490-30020		PASADOR ALETAS	PIN, COTTER	SPINOTTO
54	PAF15-06020005	63V-45375-00		GOMA	RUBER	GOMMA
55	PAF15-02000005S	66M-44361-00		TUBO AGUA	WATER TUBE -SMALL	TUBO
55	PAF15-02000005	66M-44361-10		TUBO AGUA	WATER TUBE -LARGE	TUBO
56	PAF15-02000006	63V-44365-10		TUBO GOMA AGUA	RUBER WATER TUBE	TUBO

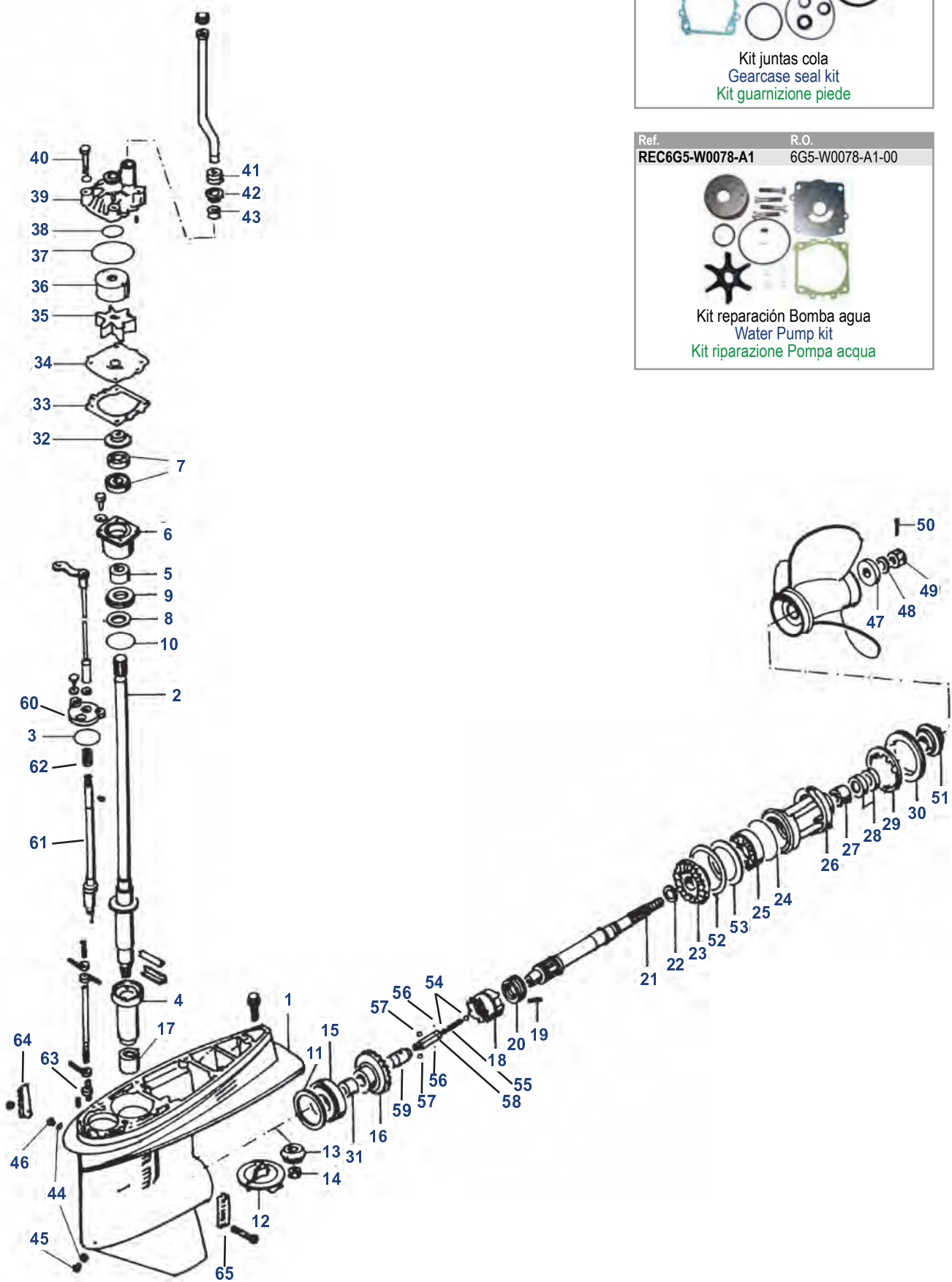


65



Nº	Ref.	R.O.	OEM	Descripción	Description	Descrizione
1	PAGB/T3452.1-92	93210-26130		ARO TÓRICO	O-RING	O-RING
2	PAF25-04000017	61N-44362-10		TUBO AGUA	TUBE, WATER	TUBO
2	PAF25-04000017S	61N-44362-00		TUBO AGUA	TUBE, WATER -SMALL-	TUBO
3	PAF25-04000016	65W-44328-00		PLATO FIJO BOMBA AGUA	FIXED PLATE, WATER PUMP	PIASTRA POMPA
4	PAGB/T5782-2000			TORNILLO	BOLT	VITE
5	PAGB/T97.1-8			ARANDELA	WASHER	RONDELLA
6	PAF25-04050004	6L2-44367-00		RETÉN TUBO AGUA	DAMPER, WATER PIPE	BOCCOLA
7	PAF25-04050001	61N-44311-01		CUERPO BOMBA	SHELL, WATER PUMP	CORPO POMPA
8	PAF25-04050002	61N-44322-01		CASQUILLO INOX.	SHELL, INNER	CAP INOX.
9	PAF25-04050003	93210-45161		ARO TÓRICO	O-RING	O-RING
10	PAF25-04050000			KIT CUERPO BOMBA	SHELL ASSY, WATER PUMP	KIT CORPO POMPA
11	PAF25-04040000	6H4-44352-02		TURBINA	IMPELLER ASSY	GIRANTE
12	PAF25-04000014	61N-44323-00		PLATO BOMBA AGUA	OUTER PLATE	PIASTRA POMPA ACQUA
13	PAGB/T5783-2000			TORNILLO	BOLT	VITE
14	PAGB/T97.1-8			ARANDELA	WASHER	RONDELLA
15	PAF25-04000012	65W-44176-00		PLATO, ARO TÓRICO	PLATE, O-RING	PIASTRA O-RING
16	PAF15-06020004	93210-06ME6		ARO TÓRICO	O-RING	O-RING

Nº	Ref.	R.O.	OEM	Descripción	Description	Descrizione
17	PAF25-04000013	61N-45127-00		RETÉN AGUA	WATER SEAL	PARAOLIO ACQUA
18	PAF25-04000007	93604-10M03		PIN	PIN, DOWEL	SPINOTTO
19	PAF25-04000008	65W-45331-00-5B		BASE EJE VERTICAL	BASE, DRIVE SHAFT	BASE, ASSE VERTICALE
20	PAF25-04000009	61N-45315-00		RETÉN	SEAL	PARAOLIO
21	PAF25-04010003	93101-22067		RETÉN ACEITE	OIL SEAL, DRIVE SHAFT	PARAOLIO
22	PAF25-04010000	61N-45510-10		EJE VERTICAL	DRIVE SHAFT ASSY	ASSE VERTICALE
22	PAF25-04010000S	61N-45510-00		EJE VERTICAL	DRIVE SHAFT ASSY -SMALL	ASSE VERTICALE
23	PAF25-04000015	90280-03024		CHAVETA SEMICIRCULAR	SEMICIRCULAR KEY	CHIAVETTA SEMICIRCOLARE
24	PAHI-CAP32004JKOYO	93332-000W5		CUERPO RODAMIENTO	HOUSING, BEARING	CORPO CUSCINETTO
25	PAF25-04000003-1	61N-45587-00-07		GRUESO	SHIM (t:0.7mm)	SPESSORE
25	PAF25-04000003-2	61N-45587-00-10		GRUESO	SHIM (t:1.0mm)	SPESSORE
25	PAF25-04000003-3	61N-45587-00-11		GRUESO	SHIM (t:1.1mm)	SPESSORE
25	PAF25-04000003-4	61N-45587-00-12		GRUESO	SHIM (t:1.2mm)	SPESSORE
25	PAF25-04000003-5	61N-45587-00-13		GRUESO	SHIM (t:1.3mm)	SPESSORE
25	PAF25-04000003-6	61N-45587-00-14		GRUESO	SHIM (t:1.4mm)	SPESSORE
25	PAF25-04000003-7	61N-45587-00-15		GRUESO	SHIM (t:1.5mm)	SPESSORE
25	PAF25-04000003-8	61N-45587-00-16		GRUESO	SHIM (t:1.6mm)	SPESSORE
26	PAF25-04000002	61N-45536-00		CASQUILLO	BUSHING, NYLON	GHIERA
27	PAF25-04030000	65W-44150-10		VARILLA DE CAMBIO	CAM ASSY, SHIFT ROD	ASTICELLA CAMBIO
27	PAF25-04030000S	65W-44150-00		VARILLA DE CAMBIO	CAM ASSY, SHIFT ROD -SMALL	ASTICELLA CAMBIO -CORTO
28	PAF4-03000023	90340-08M04		TAPÓN ACEITE	PLUG, HOLE OIL	TAPPO
29	PAF4-03000024	93210-06ME6		JUNTA	GASKET	GUARNIZIONE
30	PAGB/T889.1-2000			TUERCA	NUT, LOCKING	DADO
31	PAF25-04000023	6L2-45215-00		TAPA FILTRO	WATER INLET "B"	COPERCHIO DEL FILTRO
32	PAF25-04000031	688-45341-00		TAPÓN DESAGÜE	PLUG, DRAIN	TAPPO
33	PAF25-04000001	61N-45311-Q2-4D		CARTER	LOWER CASING	CARTER
34	PAGB/T5782-2000			TORNILLO	BOLT	VITE
35	PAGB/T861.1-87	92990-06300		ARANDELA	WASHER, LOCKING	RONDELLA
36	PAF15-06000004	61N-45251-00		ÁNODO	ANODE, LOWER	ANODO
37	PAGB/T5783-2000			TORNILLO	BOLT	VITE
38	PAF25-04000021	61N-45214-00		PLACA TIMÓN	TAB, COURSE	PIASTRA TIMONE
39	PAGB/T820-2000			TORNILLO	SCREW, PAN HEAD	VITE
40	PAF25-04000022	6L2-45214-00		TAPA FILTRO	WATER INLET "A"	PIASTRA FILTRO
41	PAF25-04000006	90179-10M14		TUERCA	NUT, PINION	DADO
42	PAF25-04000005	61N-45551-00		PIÑÓN	PINION	PIGNONE
43	PAF25-04000004-1	6L2-45567-10		GRUESO	SHIM (t:1.0mm)	SPESSORE
43	PAF25-04000004-2	6L2-45567-11		GRUESO	SHIM (t:1.1mm)	SPESSORE
43	PAF25-04000004-3	6L2-45567-12		GRUESO	SHIM (t:1.2mm)	SPESSORE
43	PAF25-04000004-4	6L2-45567-13		GRUESO	SHIM (t:1.3mm)	SPESSORE
43	PAF25-04000004-5	6L2-45567-14		GRUESO	SHIM (t:1.4mm)	SPESSORE
44	PANTN4T-30205HN	93332-00005		RODAMIENTO	TAPER ROLLER BEARING	CUSCINETTO
45	PAF25-04020000	61N-45560-00		MARCHA ATRÁS	GEAR, FORWARD	MARCIA AVANTI
46	PAF25-04060003	664-45631-02		DESPLAZABLE	CLUTCH, DOG	SCORREVOLE
47	PAF15-06070004	90250-05010		PASADOR	PIN, CLUTCH	SPINOTTO
48	PAF15-06070005	648-45633-00		ANILLO	RING, CLUTCH	ST-RING
49	PAF25-04060006	648-45635-00		EMPUJADOR	PLUNGER, SHAFT	STANTUFFO
50	PAF25-04060002	90501-10065		MUELLE	SPRING, CLUTCH	MOLLA
51	PAF25-04060001	612-45611-00		EJE HÉLICE	SHAFT, PROPELLER	ASSE ELICHE
52	PAF25-04060007	90201-20417		PLATO MARCHA INVERSA	PLATE, REVERSE GEAR	PIASTRA MARCIA INDIETRO
53	PAF25-04060000			EJE HÉLICE	PROPELLER, SHAFT ASSY	ASSE ELICHE
54	PAF25-04070004	61N-45571-00		MARCHA INVERSA	GEAR, REVERSE	MARCIA INDIETRO
55	PAF25-04070005-1	6L2-45577-00-10		GRUESO	SHIM (t:1.0mm)	SPESSORE
55		6L2-45577-00-11		GRUESO	SHIM (t:1.1mm)	SPESSORE
55	PAF25-04070005-3	6L2-45577-00-12		GRUESO	SHIM (t:1.2mm)	SPESSORE
55		6L2-45577-00-13		GRUESO	SHIM (t:1.3mm)	SPESSORE
56	PAF25-04070002	93210-64ME7		ARO TÓRICO	O-RING A	O-RING
57	PAKOYO 6006C3	93306-00612		RODAMIENTO	BALL BEARING	CUSCINETTO
58	PAF25-04070001	61N-45361-01-4D		TAPA CARTER	COVER, LOWER CASING	COPERCHIO CARTER
59	PANTN HK2016HU	93315-22004		RODAMIENTO	ROLLER GEARING	CUSCINETTO
60	PAF25-04070006	93101-20M07		RETÉN	OIL SEAL	PARAOLIO
61	PAF25-04070003	93210-65M50		ARO TÓRICO	O-RING B	O-RING
62	PAGB/T5783-2000			TORNILLO	BOLT	VITE
63	PAF25-04070000			TAPA CARTER	COVER ASSY, LOWER CASING	COPERCHIO CARTER
64	PAF2020	93315-220V7		RODAMIENTO	NEEDLE BEARING	CUSCINETTO
65	PAF25-0400000L	65W-45300-10-4D		COLA COMPLETA -GRANDE	COMPLETE GEAR HOUSING -LARGE	PIEDE COMPLETO -LUNGO
65	PAF25-0400000S	65W-45300-00-4D		COLA COMPLETA -PEQUEÑA	COMPLETE GEAR HOUSING -SMALL	PIEDE COMPLETO -CORTO
66	PAF15-00000006	93606-11M24		PIN	PIN, DOWEL	SPINOTTO
67	PAF25-02000019	90202-12060		ARANDELA	WASHER, NYLON	RONDELLA
68	PAF25-02000004L	65W-44361-10		TUBO AGUA	TUBE, WATER -LARGE	TUBO -LUNGO
68	PAF25-02000004S	65W-44361-00		TUBO AGUA	TUBE, WATER -SMALL	TUBO -CORTO
69	PAF25-02000005	90430-12072		JUNTA AGUA	GASKET, WATER PIPE	GUARNIZIONE
70	PAGB/T97.1-8	92995-10600		ARANDELA	WASHER	RONDELLA
71	PAF25-00000011	90105-10M12		TORNILLO	BOLT	VITE
72	PAF25-04000024	6L2-45987-01		ESPACIADOR	SPACER, PROPELLER	SPESSORE
73	PAF25-04080000	664-45947-01-EL		HÉLICE	PROPELLER ASSY	ELICHE
74	PAF25-04000025	689-45997-00		ESPACIADOR	SPACER	SPESSORE
75	PAGB/T97.1-8	92990-14200		ARANDELA	WASHER	RONDELLA
76	PAF25-04000027	90171-14013		TUERCA	NUT	DADO
77	PAGB/T91-86	91490-30022		PIN	PIN, COTTER	SPINOTTO



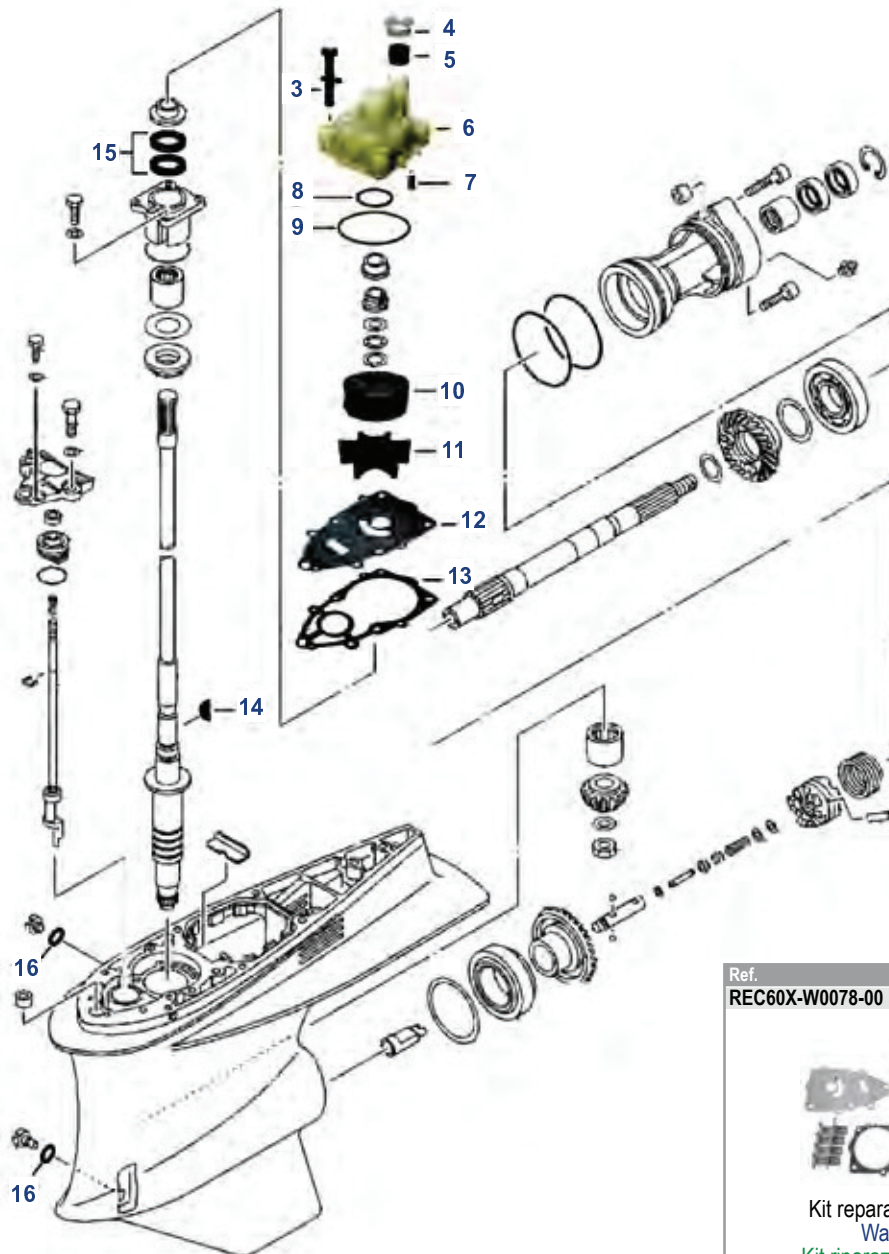
Ref.	R.O.
REC6E5-W0001-F1	6G5-W0001-21-00

Kit juntas cola
Gearcase seal kit
Kit guarnizione piede

Ref.	R.O.
REC6G5-W0078-A1	6G5-W0078-A1-00

Kit reparación Bomba agua
Water Pump kit
Kit riparazione Pompa acqua

Nº	Ref.	R.O.	OEM	Descripción	Description	Descrizione
1	REC416-A20	64D-45300-01-8D		COLA COMPLETA	LOWER UNIT ASSY	PIEDI COMPLETI
1	REC416-A25	64D-45300-21-8D		COLA COMPLETA	LOWER UNIT ASSY	PIEDI COMPLETI
2	REC63P-45501-00	63P-45501-00		EJE (LARGO 20")	DRIVE SHAFT 20"	ASSE VERTICALE 20"
2	REC63P-45501-10	63P-45501-10		EJE (LARGO 25")	DRIVE SHAFT 25"	ASSE VERTICALE 25"
3	REC93210-58677	93210-58677		ARO, PLATO	O-RING	O-RING
4	REC6G5-45536-01	6G5-45536-01		CAMISA, EJE	SLEEVE	ASSE
5	REC93315-430V5	93315-430V5		COJINETE AGUJAS	BEARING	CUSCINETTO
6	REC6E5-45331-00-94	6E5-45331-00-94		CUERPO COJINETE	HOUSSING	CORPO CUSCINETTO
7	REC93101-28M16	93101-28M16		RETÉN, EJE	OIL SEAL	PARAOLIO
8	REC6E5-45587-01	6E5-45587-01		ESPACIADOR	SHIM	SPESSORE
9	REC93341-930U0	93341-930U0		COJINETE	BEARING	CUSCINETTO
10	REC93210-54534	93210-54534		ARO	O-RING	O-RING
11		6G5-45567-01		ESPACIADOR	SHIM	SPESSORE
12	CM6J9-45371-01	6J9-45371-01		ÁNODO	ANODE	ANODO
13	REC6G5-45551-00	6G5-45551-01		PIÑÓN	GEAR	PIGNONE
14	REC90170-16M01	90170-16M01		TUERCA, PIÑÓN	NUT	DADO
15	REC93332-000V3	93332-000V3		COJINETE	BEARING	CUSCINETTO
16	REC6G5-45631-00	6G5-45631-00		PIÑÓN MARCHA	GEAR F.W.	PIGNONE MARCIA
17	REC90250-08M07	90250-08M07		COJINETE AGUJAS	BEARING	CUSCINETTO
18	REC6E5-45631-00	6E5-45631-01		SELECTOR	CLUTCH	SELETTORE
19	REC90250-08M07	90250-08M07		PASADOR	PIN	SPINOTTO
20	REC6E5-45633-01	6E5-45633-01		RETENEDOR	SPRING	MOLLA
21	REC6J9-45611-00	6J9-45611-01		EJE HÉLICE	PROPELLER SHAFT	ASSE ELICHE
22	REC90201-30M92	90201-30M92		ARANDELA	WASHER	RONDELLA
23	REC6G5-45571-00	6G5-45570-02		PIÑÓN MARCHA ATRÁS	GEAR R.V.	PIGNONE MARCIA INDIETRO
24	REC93210-97M55	93210-97M55		ARO, COJINETE	O-RING	O-RING
25	REC93306-209U0	93306-209U0		COJINETE	BEARING	CUSCINETTO
26	REC6E5-45331-00-94	6J9-45332-00-94		DIÁBOLO	GEAR HOUSING	SCATOLA INGRANAGGI
27	REC93315-430U8	93315-430U8		COJINETE AGUJAS	BEARING	CUSCINETTO
28	REC93101-30M17	91301-30M17		RETÉN, EJE HÉLICE	OIL SEAL	PARAOLIO
29	REC6G5-45383-01	6G5-45383-01		ARANDELA	WASHER	RONDELLA
30	REC6G5-45384-00	6G5-45384-00		TUERCA	NUT	DADO
31	REC93315-425V3	93315-425V3		COJINETE AGUJAS	BEARING	CUSCINETTO
32	REC6E5-45344-00	6E5-45344-00		RETÉN ACEITE	OIL SEAL	PARAOLIO
33	REC6E5-44315-00	6E5-44315-A0		JUNTA	GASKET	GUARNIZIONE
34	REC6G5-44323-00	6G5-44323-00		TAPA	CAP	COPERCHIO
35	REC6E5-44352-01	6E5-44352-00		IMPULSOR	IMPELLER	GIRANTE
36	REC6E5-44322-00	6E5-44322-00		ACOPLE INOX.	INSERT CUP - MODERN-	ACCOPIAMENTO INOX
37	REC93210-86M38	93210-86M38		ARO, BOMBA AGUA	O-RING	O-RING
38	REC93210-37M67	93210-37M67		ARO, BOMBA AGUA	O-RING	O-RING
39	REC6E5-44311-00	6E5-44311-00		CUERPO BOMBA AGUA	W.P. HOUSING -MODERNO-	CORPO POMA ACQUA
40	REC97080-08045	97080-08045		TORNILLO, BOMBA AGUA	BOLT	VITE
41	REC6E5-44366-00	6E5-44366-00		FLECTOR RETÉN AGUA	DAMPER	BOCCOLA
42	REC6E5-44312-00	6E5-44312-00		TAPA BOMBA	CAP	COPERCHIO POMPA
43	REC6E5-44365-00	6E5-44365-00		FLECTOR RETÉN AGUA	SEAL	BOCCOLA
44	REC90430-08020	90430-08020		JUNTA, TAPONES DRENAJE	GASKET	GUARNIZIONE
45	REC688-45341-00	688-45341-00		TAPÓN DRENAJE INFERIOR	PLUG	TAPPO INFERIORE.
46	REC90340-08014	90340-08M04		TAPÓN DRENAJE SUPERIOR	PLUG	TAPPO SUPERIORE.
47	REC688-45997-00	688-45997-01		ESPACIADOR HÉLICE	SPACER	SPESSORE
48	REC92990-18200	92990-18200		ARANDELA HÉLICE	WASHER	RONDELLA
49	REC90171-18M04	90171-18M04		TUERCA HÉLICE	NUT	DADO
50	REC91490-40030	91490-40030		PASADOR	PIN	SPINOTTO
51	REC6E5-45987-00	6E5-45987-00		ARANDELA	WASHER	RONDELLA
53		6G5-45576-00		ARANDELA	WASHER	RONDELLA
54	REC93511-32027	93511-32027		BOLA	BALL	BOLLA
55	REC90501-16M37	90501-16M37		MUELLE	SPRING	MOLLA
56	REC93503-16003	93503-16003		BOLA	BALL	BOLLA
57	REC93507-32031	93507-32031		BOLA	BALL	BOLLA
58	REC6E5-45634-01	6E5-45634-01		PASADOR	SHIFT SLIDE	PERNO
59	REC6E5-45641-03	6E5-45641-03		EJE	SHIFTER	ASSE
60	REC6E5-45321-00	6E5-45321-00		TAPA CAMBIO	PLATE	PIASTRA
61	REC6G5-44150-02	6G5-44150-02		EJE CAMBIO	SHIFT SHAFT	ASSE
62	REC90501-11M10-00	90501-11M18		MUELLE	SPRING	MOLLA
63	REC6E5-45378-00	6E5-45378-00		NIPLE	PIPE	TUBO
64		6J9-45215-00		TAPA	COVER	COPERCHIO
65		6J9-45214-00		TAPA	COVER	COPERCHIO



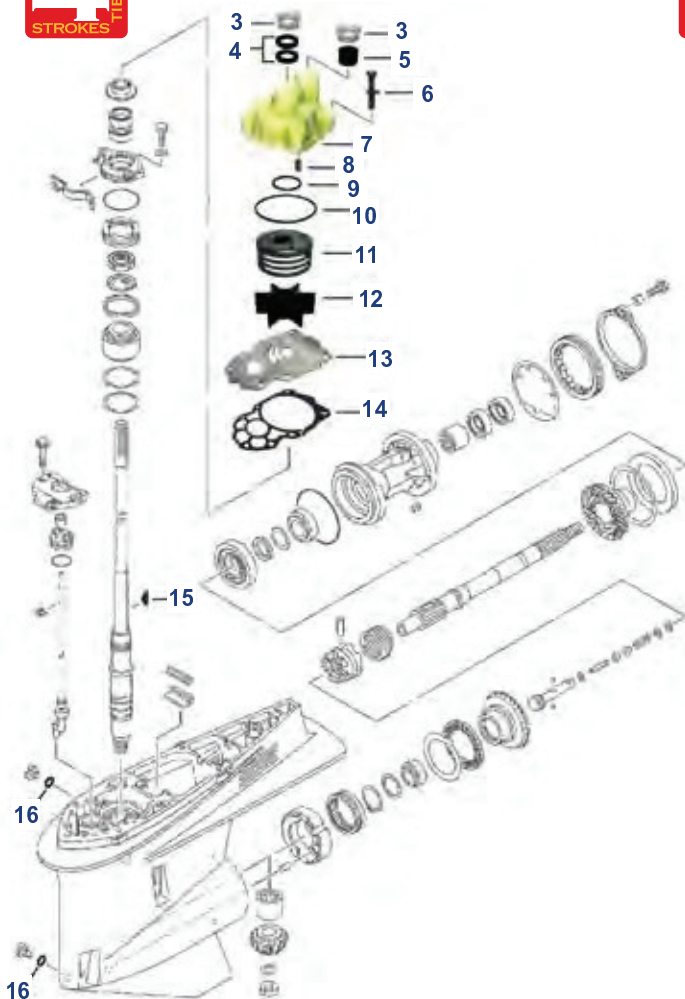
Ref.	R.O.
REC60X-W0078-00	60X-W0078-00

Kit reparación Bomba agua
Water Pump kit
Kit riparazione Pompa acqua

Nº	Ref.	R.O./OEM	Descripción	Description	Descrizione
2	REC60X-W0078-00	60X-W0078-00	KIT BOMBA AGUA	WATER PUMP KIT w/o HOUSING	KIT RIPARAZIONE POMPA ACQUA
3	REC90119-08M14	90119-08M14	TORNILLO CON ARANDELA	BOLT w/ WASHER	VITE
4	REC6E5-44312-00	6E5-44312-00	TAPA CUERPO BOMBA	COVER, WATER PUMP HOUSING	COPERCHIO CORPO BOMBA
5	REC6E5-44365-00	6E5-44365-00	RETÉN	DAMPER	BOCCOLA
6	REC61A-44311-00	61A-44311-01	CUERPO BOMBA AGUA	WATER PUMP HOUSING	CORPO POMPA ACQUA
7	REC93606-12019	93606-12019	PIN	PIN, DOWELL	SPINOTTO
8	REC93210-37M67	93210-37M67	ARO TÓRICO	O-RING	O-RING
9	REC93210-86M38	93210-86M38	ARO TÓRICO	O-RING	O-RING
10	REC61A-44322-02	61A-44322-02	ACOPLE INOX.	PUMP CUP	POMPA CUP
11	REC6E5-44352-01	6E5-44352-01	IMPULSOR	IMPELLER	GIRANTE
12	REC6P2-44323-00	6PS-44323-00	TAPA BOMBA	WEAR PLATE	COPERCHIO POMPA
13		60X-44315-A0	JUNTA BOMBA AGUA	GASKET, WATER PUMP	GUARNIZIONE
14	REC90280-04M05	90280-04M05	CHAVETA	KEY, WOODRUFF	CHIAVETTA
15	REC93101-28M16	93101-28M16	RETÉN	OIL SEAL	PARAOLIO
16	REC90430-08020	90430-08020	JUNTA	GASKET, DRAIN BLUE	GUARNIZIONE

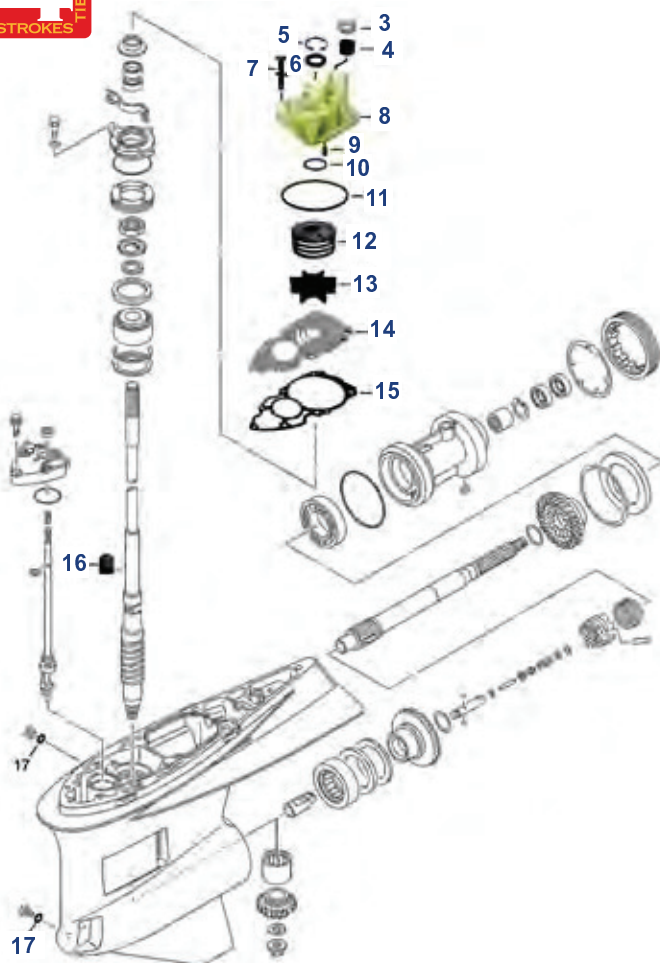
4
TIEMPOS
STROKES

V6 F225 - F250 - F300



4
TIEMPOS
STROKES

V8 F300 - F350



V6 F225 - F250 - F300

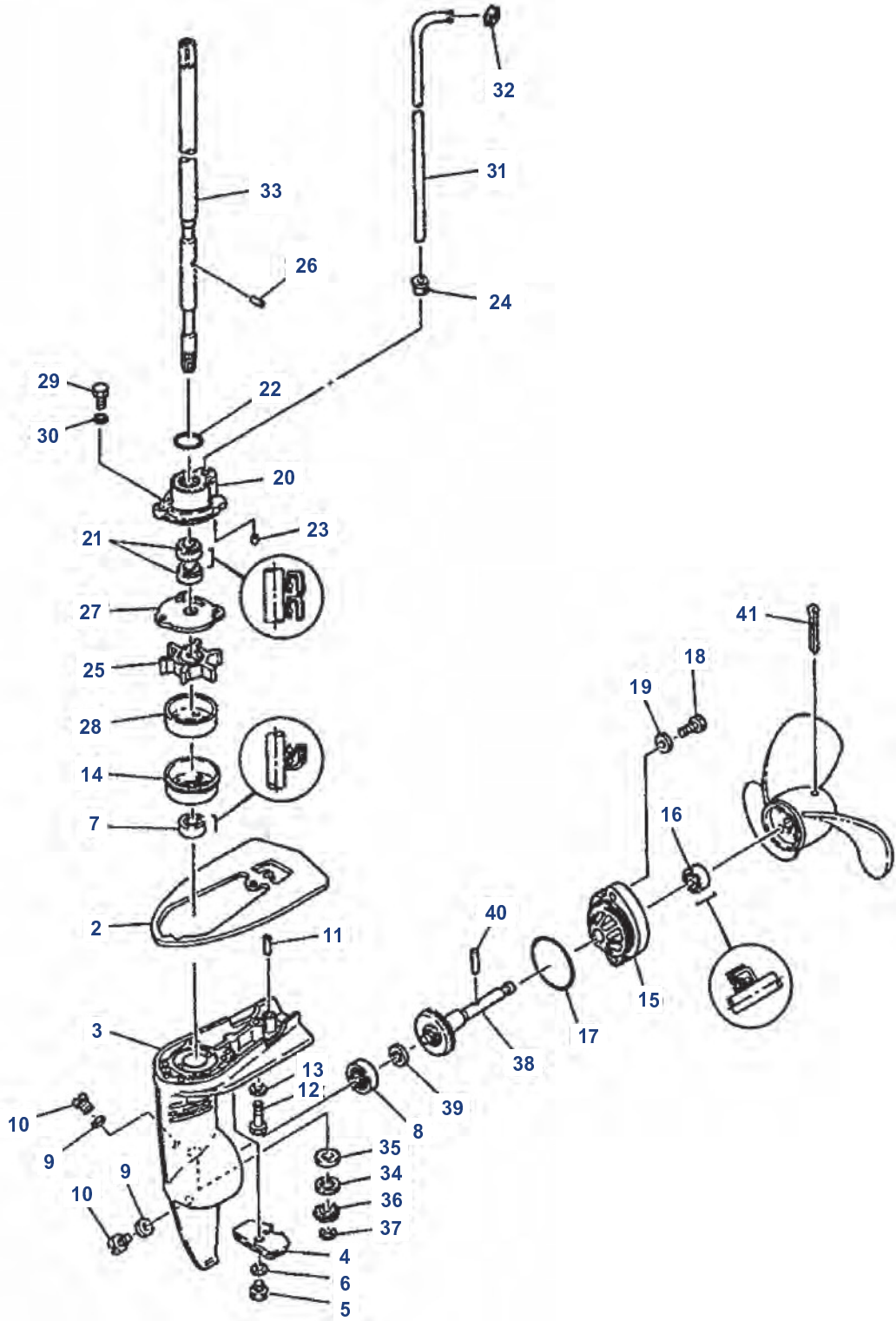
Nº	Ref.	R.O./OEM	Descripción	Description	Descrizione
3		6AW-44312-00	TAPA CUERPO BOMBA	COVER, WATER PUMP HOUSING	COPERCHIO CORPO POMPA
4		93140-22M07	RETÉN	OIL SEAL	PARAOLIO
5		6AW-44365-00	RETÉN AGUA	DAMPER	BOCCOLA ACQUA
6	REC90119-08M14	90119-08M14	TORNILLO CON ARANDELA	BOLT w WASHER	VITE
7		6CE-44311-01	CUERPO BOMBA AGUA	WATER PUMP HOUSING	CORPO POMPA ACQUA
8	REC93606-12019	93606-12019	PIN	PIN, DOWELL	SPINOTTO
9	REC93210-37160	93210-37160	ARO TÓRICO	O-RING	O-RINH
10		93210-94003	ARO TÓRICO	O-RING	O-RING
11		6AW-44322-00	CASQUILLO INOX.	PUMP CUP	POMPA
12	REC6CE-44352-00	6CE-44352-00	TURBINA	IMPELLER	GIRANTE
13		6CE-44323-00	TAPA BOMBA	WEAR PLATE	PIASTRA POMPA
14		6CE-44315-00	JUNTA BOMBA AGUA	GASKET, WATER PUMP	GUARNIZIONE
15		90280-04002	CHAVETA	KEY, WOODRUFF	CHIAVETTA
16	REC90430-08020	90430-08020	JUNTA	GASKET, DRAIN FILL	GUARNIZIONE

V8 F300 - F350

Nº	Ref.	R.O./OEM	Descripción	Description	Descrizione
3		6AW-44312-00	TAPA CUERPO BOMBA	COVER, WATER PUMP HOUSING	COPERCHIO CORPO POMPA
4		6AW-44365-00	RETÉN AGUA	DAMPER	BOCCOLA
5		93420-35085	CLIP	DAMPER	BOCCOLA
6		93109-24001	RETÉN	OIL SEAL	PARAOLIO
7	REC90119-08M14	90119-08M14	TORNILLO CON ARANDELA	BOLT w WASHER	VITE + RONDELLA
8		6AW-44311-00	CUERPO BOMBA AGUA	WATER PUMP HOUSING	CORPO POMPA ACQUA
9	REC93606-12019	93606-12019	PIN	PIN, DOWELL	SPINOTTO
10	REC93210-37160	93210-37160	ARO TÓRICO	O-RING	O-RING
11		93210-94003	ARO TÓRICO	O-RING	O-RING
12		6AW-44322-00	CASQUILLO INOX.	PUMP CUP	POMPA
13	CEF500389N	6AW-44352-00	TURBINA	IMPELLER	GIRANTE
14		6AW-44323-00	TAPA BOMBA	WEAR PLATE	PIASTRA POMPA
15		6AW-44315-00	JUNTA BOMBA AGUA	GASKET, WATER PUMP	GUARNIZIONE
16		6AW-44336-00	CHAVETA	KEY	CHIAVETTA
17	REC90430-08020	90430-08020	JUNTA	GASKET, DRAIN FILL	GUARNIZIONE

YAMAHA

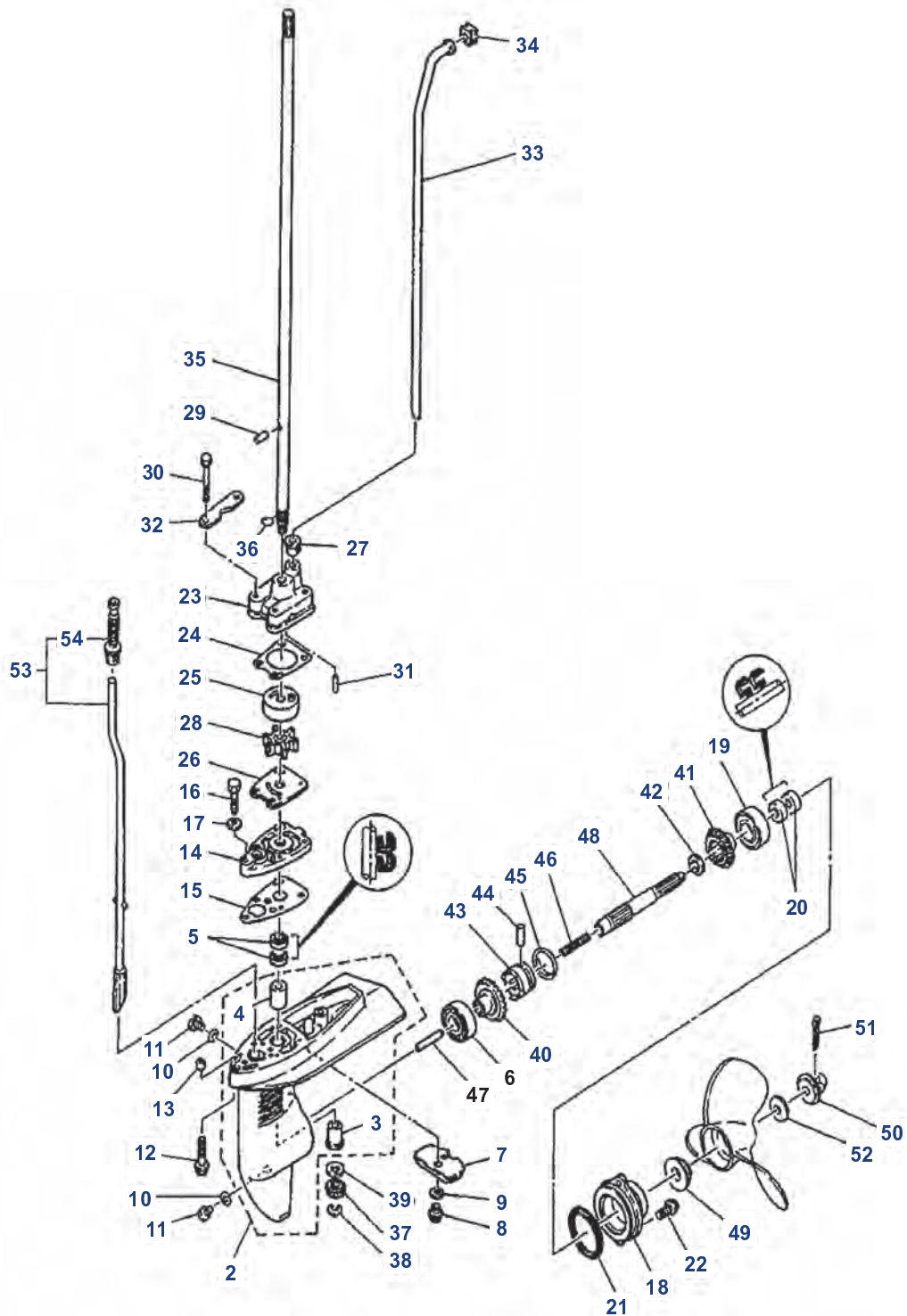
**RECAMBIO
MARINOS**
S.L.



Ref.	R.O.
REC6A1-W0078-01	6A1-W0078-01
Kit reparación Bomba agua Water Pump kit Kit riparazione Pompa acqua	

Ref.	R.O.
REC6A1-W0001-23	6A1-W0001-23
Kit juntas cola Gearcase seal kit Kit guarnizione piede	

Nº	Ref.	R.O./ OEM	Descripción	Description	Descrizione
2		6A1-45181-00-4D	PLATO CAVITACION	PLATE	PIASTRA
3		6A1-45311-02-4D	CARTER INFERIOR	CASING, LOWER	CARTER INFERIORE
4	CM6L5-45251-02	6L5-45251-02	ÁNODO ZINC	ANODE	ANODO ZINCO
5		95895-06012	TORNILLO	BOLT, FLANGE	VITE
6	PAGB/T861.1-87	92990-06300	ARANDELA	WASHER	RONDELLA
7	REC93103-11051	93103-11051	RETÉN	OIL SEAL	PARAOLIO
8		93306-00001	RODAMIENTO	BEARING	CUSCINETTO
9	REC90430-08020	90430-08020	JUNTA	GASKET	GUARNIZIONE
10	PAF4-03000023	90340-08M04	TAPÓN	PLUG	TAPPO
11		93605-18M04	PIN	PIN	SPINOTTO
12	REC97095-06030	97095-06030	TORNILLO	BOLT	VITE
13	PAGB/T97.1-8	92995-06600	ARANDELA	WASHER	RONDELLA
14	REC6A1-44325-00	6A1-44325-00P	CUERPO INF. BOMBA	PROTECTOR	CORPO INF. POMPA
15		6A1-45361-01-4D	TAPA	CAP	COPERCHIO
16	REC93103-10052	93103-10052	RETÉN	OIL SEAL	PATRAOLIO
17	REC93210-42101	93210-42101	ARO TÓRICA	O-RING	O.RING
18		97090-06014	TORNILLO	BOLT	VITE
19		92990-06600	ARANDELA	WASHER	RONDELLA
20		6A1-44312-01-94	CUERPO BOMBA	COVER, WATER PUMP	CORPO POMPA
21		93101-11M44	RETÉN	OIL SEAL	PARAOLIO
22		93210-19123	ARO TÓRICO	O-RING	O-RING
23		93604-09068	PIN	PIN	SPINOTTO
24		646-44366-01	RETÉN TUBO AGUA	DAMPER	PARAOLIO TUBO ACQUA
25	REC646-44352-01	646-44352-01	TURBINA	IMPELLER	GIRANTE
26		93604-09066	PIN	PIN	SPINOTTO
27	REC646-44322-00	646-44323-00	PLATO BOMBA AGUA	OUTER PLATE	PIASTRA POMPA ACQUA
28	REC646-44322-00	646-44322-00	CASQUILLO INOX. BOMBA	INSERT	GHIERA INOX. POMPA
29		97095-05016	TORNILLO	BOLT	VITE
30	PAGB/T97.1-8	92995-06600	ARANDELA	WASHER	RONDELLA
31		6A1-44361-00	TUBO AGUA	TUBE, WATER	TUBO ACQUA
32		646-44365-00	RETÉN BOMBA	DAMPER	PARAOLIO POMPA
33		6A1-45510-01	EJE	DRIVE SHAFT ASSY	ASSE
34		90201-11M49	ARANDELA	WASHER	RONDELLA
35		646-45534-00-03	GRUESO	SHIM	SPESSORE
36	REC646-45551-00	646-45551-00	PIÑÓN	PINION	PIGNONE
37	PAGB/T-896-86	93430-06005	CLIP	CIRCLIP	CLIP
38	REC646-45560-00	646-45560-00	ENGRANAJE CON EJE	GEAR	IGRANAGGIO CON ASSE
39		646-45567-00-03	GRUESO	SHIM	SPESSORE
40	REC90250-03M10	90250-03M10	PASADOR SEGURIDAD	PIN	SPINOTTO
41	REC91490-30040	91490-30040	PASADOR ALETAS	PIN	SPINOTTO



Ref.	R.O.
REC6E0-W0078-A2	6E0-W0078-A2, -00, -01, -02

NEW

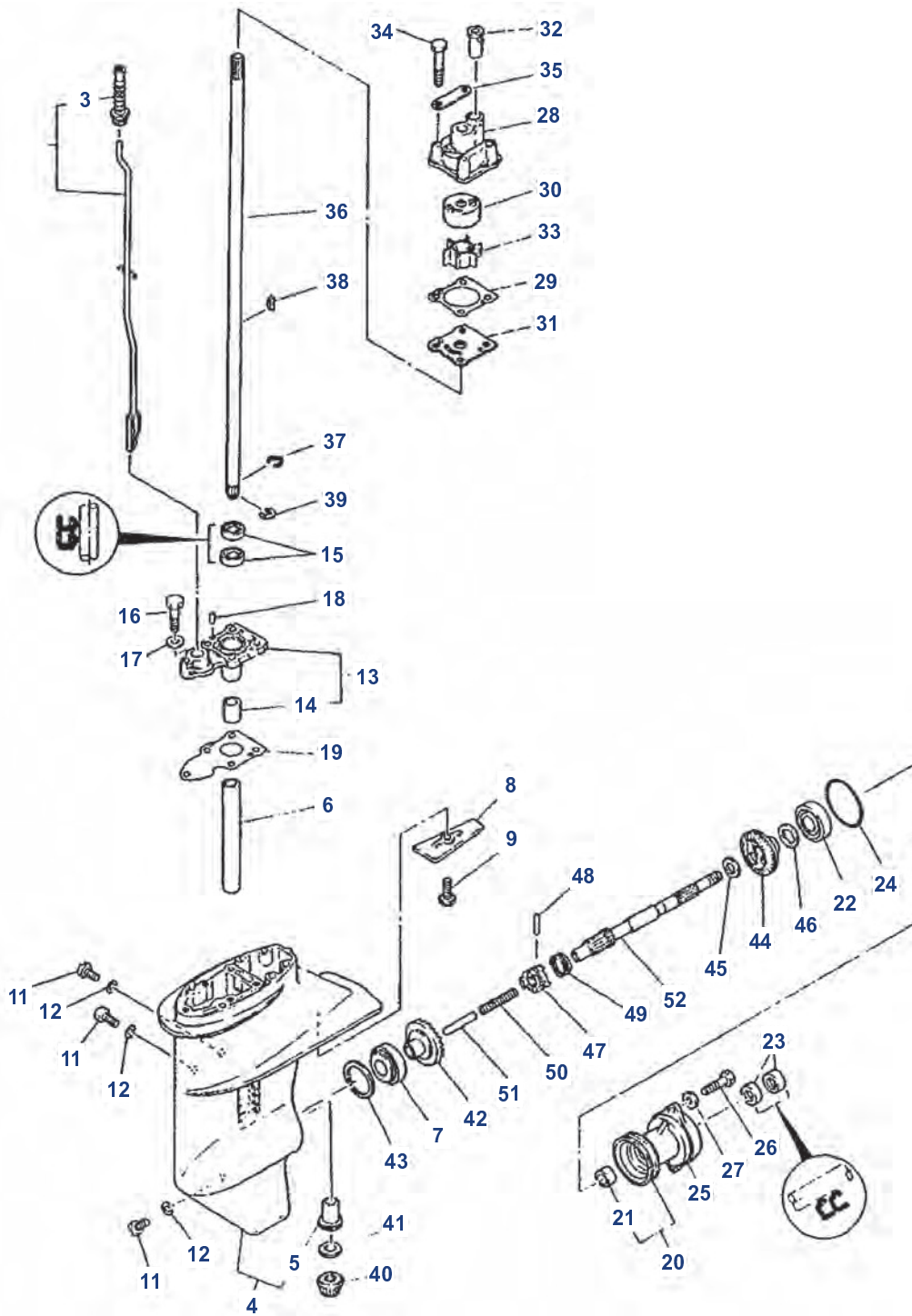
Kit reparación Bomba agua
Water Pump kit
Kit riparazione Pompa acqua

Ref.	R.O.
REC6E0-W0001-C1	6E0-W0001-C1



Kit reparación Bomba agua
Water Pump kit
Kit riparazione Pompa acqua

Nº	Ref.	R.O./OEM	Descripción	Description	Descrizione
2		6E0-45311-02-4D	CARTER COLA	CASING, LOWER	CARTER PIEDE
3	REC6E0-45317-00	6E0-45317-09	CASQUILLO EJE	BUSHING	CAPPUCCIO ASSE
4	REC6E0-45316-00	6E0-45316-09	CASQUILLO EJE	BUSHING	CAPPUCCIO ASE
5	REC93101-10M14	93101-10M14	RETÉN	OIL SEAL	PARAOLIO
6	PAGB/T276-94	93306-004UO	RODAMIENTO	BEARING	CUSCINETTO
7	CM6L5-45251-02	6L5-45251-03	ÁNODO	ZINC ANODE	ANODO ZINCO
8		95895-06012	TORNILLO	BOLT	VITE
9		92990-06300	ARANDELA	WASHER	RONDELLA
10	REC90430-08020	90430-08020	JUNTA	GASKET	GUARNIZIONE
11	PAF4-03000023	90340-08002	TAPÓN	CARTER PLUG	TAPPO CARTER
12		90119-06M40	TORNILLO	BOLT	VITE
13	PAF4-00000001	90387-06M14	COLLAR	COLLAR	COLLARE
14	PAF4-03000012	6E0-45321-01-5B	PLACA	PLATE	PIASTRA
15	PAF4-03000011	6E0-45315-A0	JUNTA	PACKING	GUARNIZIONE
16		97095-06025	TORNILLO	BOLT	VITE
17		92995-06600	ARANDELA	WASHER	RONDELLA
18	PAF4-03050001	6E0-45361-01-4D	TAPA	CAP	COPERCHIO
19	PAGB/T276-6004C2	93306-004UO	RODAMIENTO	BEARING	CUSCINETTO
20	REC93101-13M12	93101-13M12	RETÉN	OIL SEAL	PARAOLIO
21	REC93210-48214	93210-48214	ARO TÓRICO	O-RING	O-RING
22		95895-06016	TORNILLO	BOLT	VITE
23	PAF4-03000019	6E0-44311-00	CUERPO BOMBA	HOUSING	CORPO POMPA
24	PAF4-03000018	6E0-44315-A0	JUNTA BOMBA	GASKET	GUARNIZIONE POMPA
25	REC6E0-44322-02	6E0-44322-02	CASQUILLO	INSERT, CARTRIDGE	CAPPUCCIO
26	PAF4-03000015	6E0-44323-00	PLACA	OUTER PLATE	PIASTRA
27	PAF4-03000021	6E0-44366-00	RETÉN TUBO	DAMPER	PARAOLIO TUBO
28	REC677-41112-A0	6E0-44352-00	IMPULSOR	IMPELLER	GIRANTE
29	PAF4-03000016	93604-09066	PIN	PIN, DOWEL	SPINOTTO
30		97095-06045	TORNILLO	BOLT	VITE
31	PAF4-03000013	93604-18080	PIN	PIN, DOWEL	SPINOTTO
32	PAF4-03000020	6E0-44328-00	REFUERZO	PLATE	RIFORZO
33		6E0-44361-00	TUBO AGUA -eje corto-	TUBE, WATER	TUBO ACQUA
		6E0-44361-10	TUBO AGUA -eje largo-	TUBE, WATER	TUBO ACQUA
34		646-44365-00	RETÉN TUBO	DAMPER	PARAOLIO TUBO
35	REC6E0-45511-01	6E0-45511-01	EJE VERTICAL -eje corto-	SHAFT, DRIVE	ASSE VERTICALE
	REC6E0-45511-11	6E0-45511-11	EJE VERTICAL eje largo-	SHAFT, DRIVE	ASSE VERTICALE
36	PAF4-03000005	90467-08M01	CLIP	CLIP	CLIP
37	REC6E0-45551-00	6E0-45551-00	PIÑÓN	PINION	INGRANAGGIO
38	PAGB/T896-86	99001-06600	CERCLIP/	CIRCLIP	CLIP
39	PAF4-03000006	90201-11M49	ARANDELA	WASHER	RONDELLA
40	REC6E0-45560-00	6E0-45560-00	ENGRANAJE	GEAR	INGRANAGGIO
41	REC6E0-45570-00	6E0-45570-00	ENGRANAJE	GEAR	INGRANAGGIO
42		90201-13M50	ARANDELA	WASHER	RONDELLA
43	REC6E0-45631-00	6E0-45631-00	DESPLAZABLE	CLUTCH, DOG	SCORREVOLE
44	REC90250-05046	90250-05046	PASADOR	PIN STRAIGHT	SPINOTTO
45		654-45633-00	ARO SELECTOR	PING	O-RING SELETTORE
46		90501-10064	MUELLE	SPRING, COMPRESSION	MOLLA
47		654-45635-00	EMPUJADOR	PLUNGER	SPINTA
48	REC6E0-45611-01	6E0-45611-01	EJE HÉLICE	SHAFT, PROPELLER	ASSE ELICA
49	PAF4-03000025	6L5-45987-01	SEPARADOR	SPACER	DISTANZIALE
50		6L5-45616-02	TUERCA	NUT, PROPELLER	DADO
51	PAGB/T91-1.6X12	91490-25030	PASADOR ALETAS	PIN, COTTER	SPINOTTO
52	PAF4-03000026	90201-08M54	ARANDELA	WASHER	RONDELLA
53		6E0-44150-00	VARILLA SELECTOR -eje corto-	SHIFT CAM	ASTICELLA SELETTORE
		6E0-44150-10	VARILLA SELECTOR -eje largo-	SHIFT CAM	ASTICELLA SELETTORE
54		6G1-44147-00	ACOPLAMIENTO	BOOT, SHIFT ROD	ACCOPIAMENTO



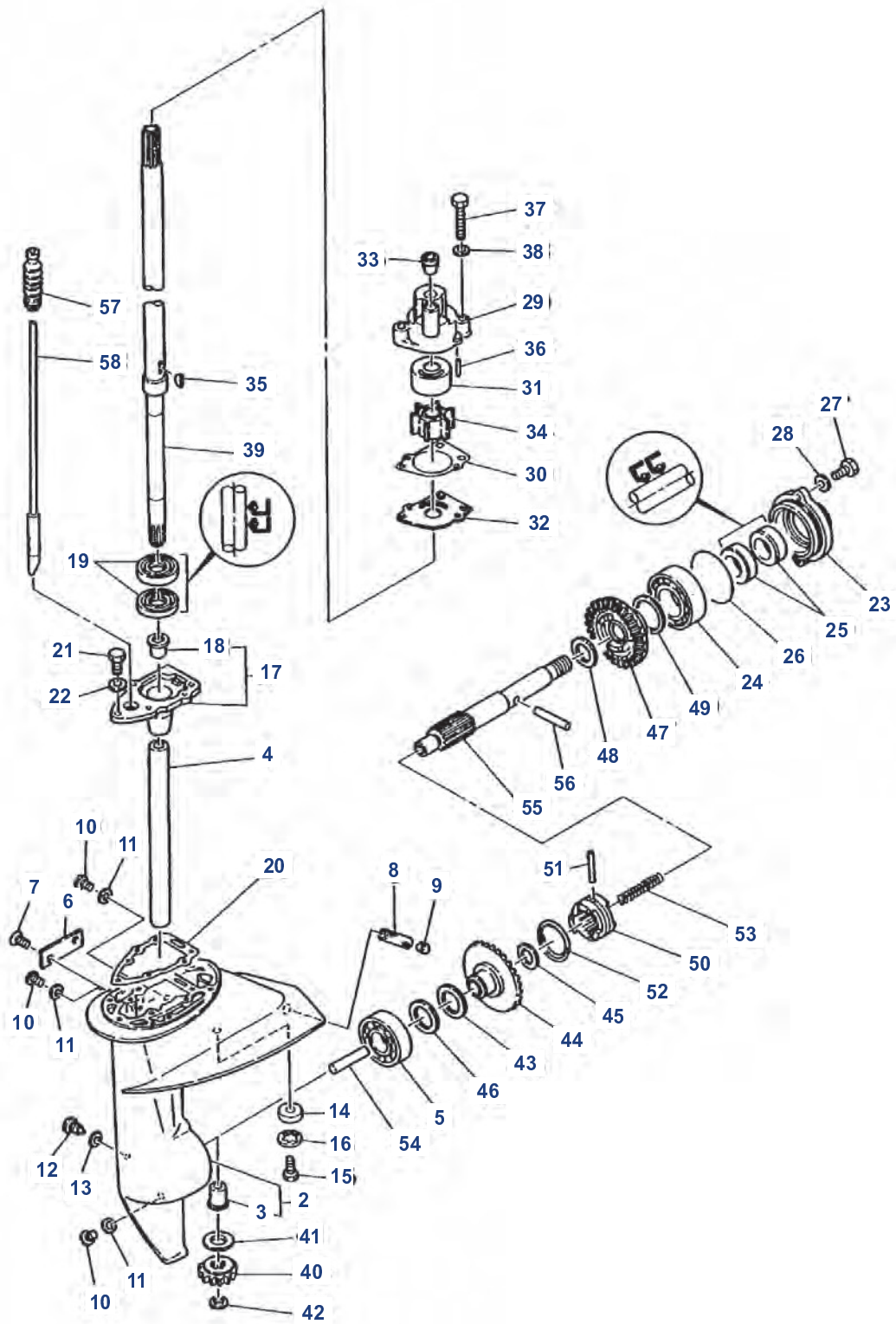
Ref.	R.O.
REC6G1-W0078-A1	6G1-W0078-A1

Kit reparación Bomba agua
Water Pump kit
Kit riparazione Pompa acqua

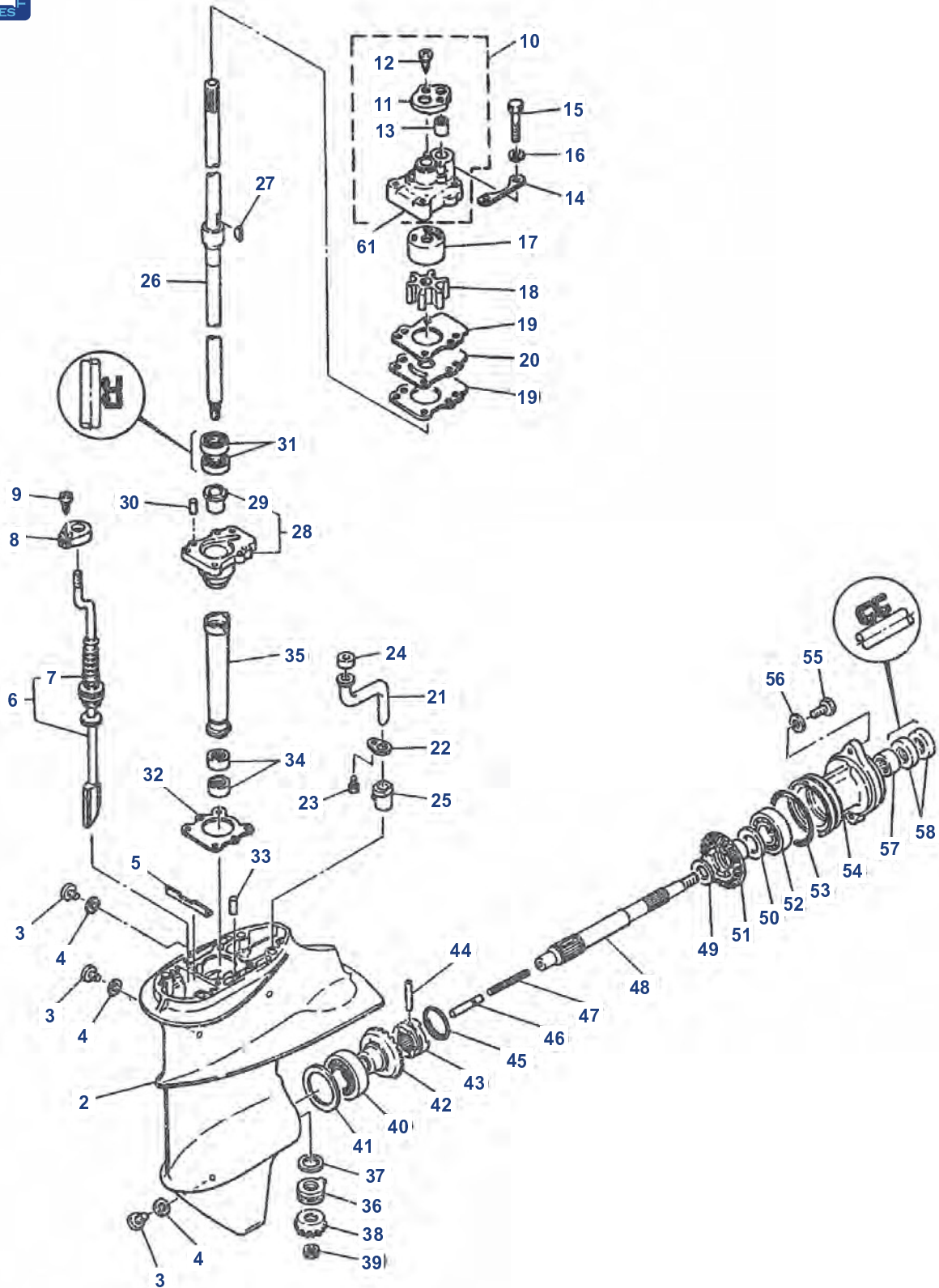
Ref.	R.O.
REC6G1-W0001-C1	6N0-W0001-20

Kit juntas cola
Gearcase seal kit
Kit guarnizione piede

Nº	Ref.	R.O./ OEM	Descripción	Description	Descrizione
1		6M8-G5300-00-4D	COLA COMPLETA	LOWER UNIT ASSY	PIEDE COMPLETO
		6M8-G5300-10-4D	COLA COMPLETA	LOWER UNIT ASSY	PIEDE COMPLETO
2		6N0-G4150-00	VARILLA DE CAMBIO	SHIFT CAM ASSY	ASTICELLA CAMBIO
		6N0-G4150-10	VARILLA DE CAMBIO	SHIFT CAM ASSY	ASTICELLA CAMBIO
3		6G1-44147-00	ACOPLE	BOOT, SHIFT ROD	RACCORDO
4		6N0-G5311-00-4D	CARTER	CASING, LOWER	CARTER
5		6G1-45317-09	CASQUILLO	BUSHING, DRIVE SHAFT	GHIERA
6		90387-14M49	TUBO GUÍA	COLLAR	TUBO GUIDA
7		93332-000V4	RODAMIENTO	BEARING	CUSCINETTO
8	CM6N0-G5251-00	CM6N0-G5251-00	ÁNODO	ANODE	ANODO
9		97095-06016	TORNILLO	BOLT	VITE
10		92990-06300	ARANDELA	WASHER	RONDELLA
11	PAF4-03000023	6E0-45316-09	TAPÓN	PLUG	TAPPO
12		90430-08801	JUNTA	GASKET	GUARNIZIONE
13		6G1-45331-01-5B	CUERPO	HOUSING, BEARING	CORPO
14		6G1-45316-09	CASQUILLO	BUSHING, DRIVE SHAFT	CAPPUCCIO ASSE
15	REC93101-11M23	93101-11M23	RETÉN	OIL SEAL	PARAOLIO
16	REC97095-06030	97095-06030	TORNILLO	BOLT	VITE
17		92995-06600	ARANDELA	WASHER	RONDELLA
18		93604-08062	PIN	PIN DOWEL	SPINOTTO
19	REC6G1-45315-A0	6G1-45315-A0	JUNTA	PACKING, LOWER CASING	GUARNIZIONE
20		6N0-G5361-00-4D	DIÁVOLO	CAP, LOWER CASING	COP. SCATOLA INGRANAGGI
21		6G1-45362-09	CASQUILLO	BUSHING	GHIERA
22		93306-004YH	RODAMIENTO	BEARING	CUSCINETTO
23	REC93101-15074	93101-15074	RETÉN	OIL SEAL	PARAOLIO
24	REC93210-49046	93210-49046	ARO TÓRICO	O-RING	O-RING
25	REC93210-53M08	93210-53M08	ARO TÓRICO	O-RING	O-RING
26		97095-06016	TORNILLO	BOLT	VITE
27		92995-06600	ARANDELA	WASHER	RONDELLA
28		6N0-G4311-00	CUERPO BOMBA	HOUSING, WATER PUMP	CORPO POMPA
29	REC6G1-44315-A0	6G1-44315-A0	JUNTA	GASKET, WATER PUMP	GUARNIZIONE
30	REC6G1-44322-00	6G1-44322-00	CASQUILLO	INSERT, CARTRIDGE	GHIERA
31	REC6G1-44323-00	6G1-44323-00	PLATO	OUTTER PLATE, CARTRIDGE	PIASTRA
32	REC647-44366-00	647-44366-00	CASQUILLO GOMA	DAMPER	GHIERA GOMA
33	REC6G1-44352-00	6G1-44352-00	TURBINA	IMPELLER	GIRANTE
34	REC97095-06045	97095-06045	TORNILLO	BOLT	VITE
35	REC6G1-44328-00	6G1-44328-00	REFUERZO	PLATE	RINFORZO
36		6N0-G5551-00	EJE	SHAFT, DRIVE	ASSE
37		6N0-G5551-10	CLIP	CLIP	CLIP
38	REC90280-03024	90280-03024	CHAVETA	KEY	CHIAVETTA
39	REC99001-06600	99001-06600	CERCLIP	CIRCLIP	CIRCLIP
40	REC6N0-G5551-00	6N0-G5551-00	PIÑÓN	PINION	PIGNONE
41		6G1-45533-00-19	GRUESO	SHIM	SPESSORE
42	REC6N0-G5560-00	6N0-G5560-00	ENGRANAJE	GEAR	GEAR
43		664-45587-01-10	GRUESO	SHIM	SPESSORE
44	REC6N0-G5571-00	6N0-G5571-00	PIÑÓN	GEAR	INGRANAGGIO
45		90201-15M89	ARANDELA	WASHER, PLATE	RONDELLA
46		647-45567-00	GRUESO	SHIM	SPESSORE
47	REC6G1-45631-00	6G1-45631-00	SELECTOR	CLUTCH, DOG	SELETTORE
48		6G1-45632-00	PASADOR	PIN CROSS	SPINOTTO
49		654-45633-00	ARILLO PRESIÓN	RING CROSS PIN	O-RING
50		90501-12M38	MUELLE	SPRING, COMPRESSION	MOLLA
51		6G1-45365-00	ÉMBOLO	PLUNGER, SHIFT	BULLONE
52	REC6G1-45611-01	6G1-45611-01	EJE HÉLICE	SHAFT, PROPELLER	ASSE ELICA



Nº	Ref.	R.O./OEM	Descripción	Description	Descrizione
2		655-45310-02-4D	CARCASA INTERIOR COMPLETA	GEARCASE ASSY	PIEDE COMPLETA
3	REC647-45316-09	647-45316-09	CASQUILLO	DAMPER	GHIERA GOMA
4		90387-14108	ESPACIADOR	SPACER	SPESSORE
5		93306-00426	COJINETE	BEARING	CUSCINETTO
6		655-45214-02-4D	CUBIERTA ENTRADA DE AGUA	COVER	COPERCHIO ACQUA
7		98780-05016	TORNILLO	BOLT	VITE
8		626-45215-00	CASQUILLO	BUSH	GHIERA
9		90334-1008	TAPÓN	PLUG	TAPPO
10		90340-08M04	TORNILLO	BOLT	VITE
11		90430-08020	JUNTA	GASKET	GUARNIZIONE
12		90149-06003	TORNILLO	BOLT	VITE
13	REC90430-06M03	90430-06M03	JUNTA	GASKET	GUARNIZIONE
14	CM6E0-45251-11	677-45251-00	ÁNODO	ANODE	ANODO
15		95895-06012	TORNILLO	BOLT	VITE
16		92990-06300	ARANDELA	WASHER	RONDELLA
17		647-45331-00-94	CUERPO COJINETE	BEARING HOUSING	CORPO
18	REC647-45316-09	647-45316-09	CASQUILLO	BUSH	GHIERA
19	REC93101-18050	93101-18050	RETÉN ACEITE	OIL SEAL	PARAOILIO
20		677-45315-00	JUNTA	GASKET	GUARNIZIONE
21		97095-06020	PERNO	BOLT	VITE
22		92990-06600	ARANDELA	WASHER	RONDELLA
23		655-45361-02-4D	DIÁBOLO	HOUSING, BEARING	COP. CASSA INGRANAGGI
24	REC93306-00519	93306-00519	COJINETE	BEARING	CUSCINETTO
25	REC93101-15074	93101-15074	RETÉN ACEITE	OIL SEAL	PARAOILIO
26	REC93210-58677	93210-58677	ARO	O-RING	O-RING
27		97095-06020	PERNO	BOLT	VITE
28		92990-06600	ARANDELA	WASHER	RONDELLA
29		655-44311-03	BOMBA DE AGUA	WATER PUMP	POMPA ACQUA
30		655-44315-00	JUNTA	GASKET	GUARNIZIONE
31		650-44322-01	CASQUILLO	BUSH	GHIERA
32		655-44323-01	PLATO BOMBA	PALTE, WATER PUMP	PIASTRA POMPA
33	REC647-44366-00	647-44366-00	GOMA	RUBER BAND	GOMMA
34	REC662-44352-01	662-44352-01	IMPULSOR	IMPELLER	GIRANTE
35	REC90280-03024	90280-03024	CHAVETA	KEY	CHIAVETTA
36		93604-18080	PASADOR	PIN	SPINOTTO
37		97095-06040	PERNO	BOLT	VITE
38		92990-06600	ARANDELA	WASHER	RONDELLA
39		655-45501-10	TRANSMISIÓN	TRANSMITION	TRANSMISIONE
40	REC647-45551-00	647-45551-00	PIÑÓN	PINION	PIGNONE
41		647-45533-00-08	GRUESO	SHIM	SPESSORE
		647-45533-00-10	GRUESO	SHIM	SPESSORE
		647-45533-00-12	GRUESO	SHIM	SPESSORE
		647-45533-00-14	GRUESO	SHIM	SPESSORE
42		99080-07600	TUERCA	NUT	DADO
43		624-45567-00-03	GRUESO	SHIM	SPESSORE
		624-45567-00-05	GRUESO	SHIM	SPESSORE
44	REC647-45560-00	647-45560-00	ENGRANAJE	GEAR	INGRANAGGIO
45		90201-13198	ARANDELA	WASHER	RONDELLA
46		647-45567-00	GRUESO	SHIM	SPESSORE
47	REC647-45570-00	647-45570-01	ENGRANAJE	GEAR	INGRANAGGIO
48		90201-15229	ARANDELA	WASHER	RONDELLA
49		626-45577-00-01	GRUESO	SHIM	SPESSORE
		626-45577-00-03	GRUESO	SHIM	SPESSORE
		626-45577-00-05	GRUESO	SHIM	SPESSORE
50		655-45631-00	SELECTOR	CLUTCH	SELETTORE
51		93605-29098	PASADOR	PIN	SPINOTTO
52		93440-30040	MUELLE SELECTOR	CLUTCH SPRING	MOLLA
53		90501-10064	MUELLE COMPRESIÓN	SPRING	MOLLA
54		654-45635-00	BULÓN	PLUNGER	BULLONE
55		677-45611-01	HÉLICE	PROPELLER	ELICA
56	REC90250-05036	90250-05036	PASADOR	PIN	SPINOTTO
57		6G1-44147-00	FUELLE EJE	BELLOWS SHAFT	SOFFIETTO ASSE
58		655-44150-10	EJE SELECTOR	ROD, SHIFT	ASSE SELETTORE



Ref.	R.O.
REC682-W0078-A1	682-W0078-A1



Kit reparación Bomba agua
Water Pump kit
Kit riparazione Pompa acqua

60

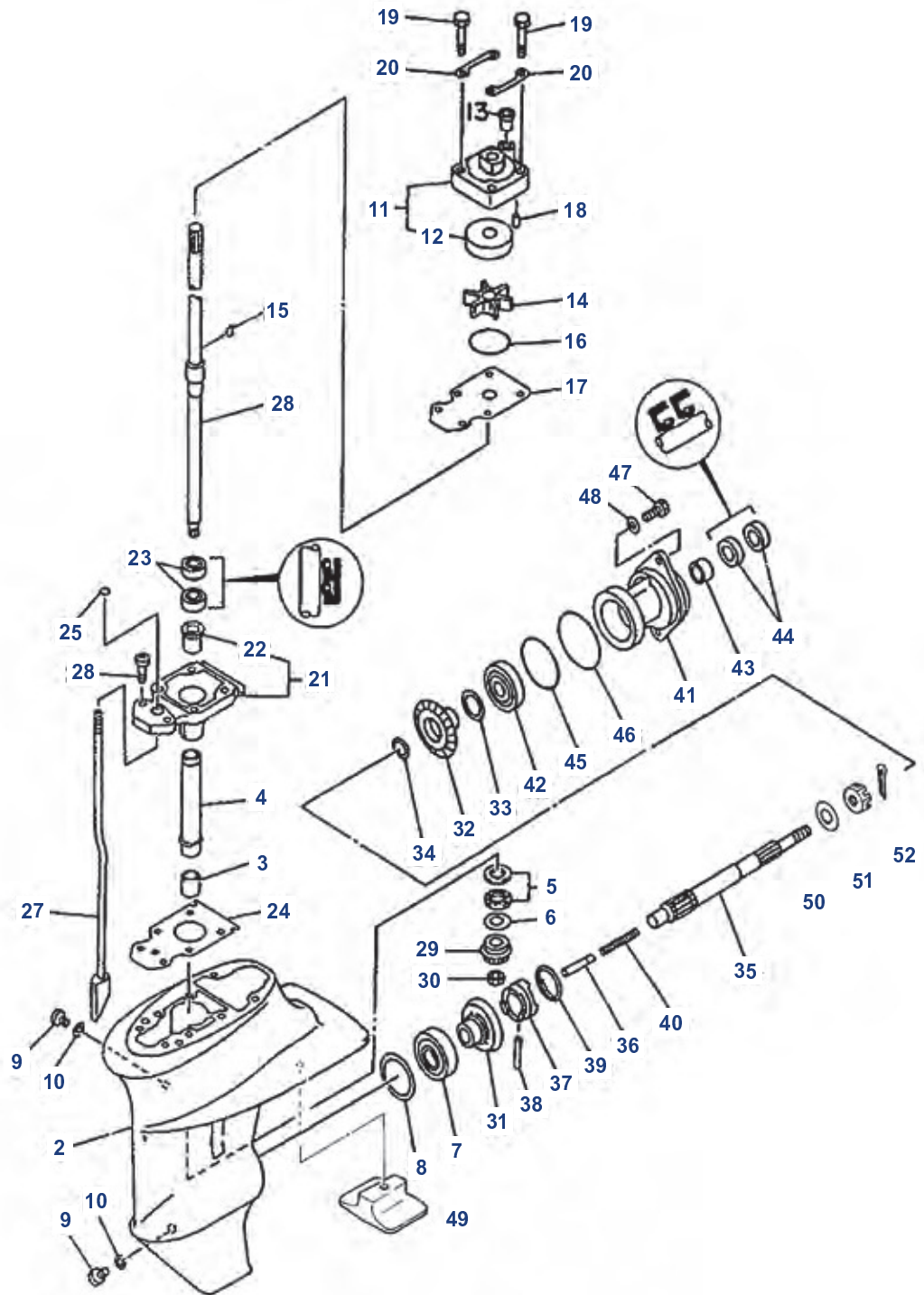
Ref.	R.O.
REC683-W0001-21	683-W0001-21



Kit juntas cola
Gearcase seal kit
Kit guarnizione piede

59

Nº	Ref.	R.O./ OEM	Descripción	Description	Descrizione
2		6E7-45311-00-EJ	CARCASA	CASING LOWER	CARTER PIEDE
3	REC90340-08014	90340-08014	TAPÓN	PLUG, STRAIGHT SCREW	TAPPO
4		90430-08020	JUNTA	GASKET	GUARNIZIONE
5		682-45376-01	GUÍA RETÉN	GUIDE, SEAL DAMPER	GUIDA BOCCOLA
6		682-44150-00	EJE SELECTOR	SHIFT CAMP ASSY	ASSE SELETTORE
7	REC682-44147-00	682-44147-00	TAPÓN GUÍA	BOOT, SHIFT ROD	TAPPO GUIDA
8		682-44176-00	SOPORTE	BRACKET	SUPPORTO
9		97780-50510	TORNILLO	SCREW, TAPPING	VITE
10		682-44300-01	CUERPO BOMBA AGUA	HOUSING WATER PUMP ASSY	CORPO POMPA ACQUA
11		682-44312-00	TAPA CUERPO BOMBA AGUA	COVER, WATER PUMP HOUSING	COPERCHIO CORPO ACQUA
12		97780-40112	TORNILLO	SCREW, TAPPING	VITE
13	REC682-44365-00	682-44365-00	CASQUILLO GOMA	DAMPER, WATER SEAL	GHIERA GOMA
14		682-44328-00	PLATO	PLATE	PIASTRA
15		947395-06040	TORNILLO	BOLT	VITE
16		92990-06200	ARANDELA	WASHER, PLAIN	RONDELLA
17	REC682-44322-00	682-44322-00	CASQUILLO INOX.	INSERT, CARTRIDGE	GHIERA INOX.
18	REC682-44352-01	682-44352-00	TURBINA	IMPELLER	GIRANTE
19	REC682-44315-00	682-44315-00	JUNTA	GASKET, WATER PUMP	GUARNIZIONE
20	REC682-44323-40	682-44323-00	PLATO	OUTER PLATE, CARTRIDGE	PIASTRA
21		683-44362-01	TUBO AGUA	TUBE, WATER	TUBO ACQUA
22		683-44373-00	PLATO AGUA	SET PLATE, WATER PLATE	PIASTRA ACQUA
23		97395-06010	TORNILLO	BOLT	VITE
24		683-44365-01	CASQUILLO GOMA	DAMPER, WATER SEAL	GHIERA GOMMA
25		6E7-44366-00	CASQUILLO GOMA	DAMPER, WATER SEAL	GHIERA GOMMA
26	REC6E7-45501-00	6E7-45501-00	EJE	DRIVE SHAFT COMP.	ASSE VERTICALE
	REC6E7-45501-11	6E7-45501-10	EJE	DRIVE SHAFT COMP.	ASSE VERTICALE
27	REC90280-03024	90280-03024	CHAVETA	KEY, WOODRUFF	CHIAVETTA
28	REC6E7-45331-00-CA	6E7-45331-00-9M	RODAMIENTO	HOUSING, BEARING	CUSCINETTO
29	REC626-45316-09	626-45316-09	CASQUILLO	BUSHING, DRIVE SHAFT	GHIERA
30	REC93606-12019	93606-12019	PIN	PIN, DOWEL	SPINOTTO
31	REC93101-20048	93101-20048	RETÉN	OIL SEAL	PARAOLIO
32	REC683-45315-A0	683-45315-00	JUNTA	PACKING, LOWER CASING	GUARNIZIONE
33		93604-08062	PIN	PIN, DOWEL	SPINOTTO
34		93315-314V0	RODAMIENTO	BEARING	CUSCINETTO
35		6E7-45536-00	CAMISA EJE	SLEEVE, DRIVE SHAFT	TUBO GUIDA
36	REC93341-214U1	93341-214U1	RODAMIENTO	BEARING	CUSCINETTO
37		6E7-45587-00-05	GRUESO	SHIM (t:0.05mm)	SPESSORE
		6E7-45587-00-08	GRUESO	SHIM (t:0.08mm)	SPESSORE
		6E7-45587-00-12	GRUESO	SHIM (t:0.12mm)	SPESSORE
		6E7-45587-00-30	GRUESO	SHIM (t:0.30mm)	SPESSORE
		6E7-45587-00-50	GRUESO	SHIM (t:0.50mm)	SPESSORE
38	REC6E7-45551-00	6E7-45551-00	PIÑÓN	PINION	PIGNONE
39	REC90179-08M06	90179-08M06	TUERCA	NUT	DADO
40	REC93332-00005	93332-00005	RODAMIENTO	BEARING	CUSCINETTO
41		664-45567-00-05	GRUESO	SHIM (t:0.05mm)	SPESSORE
		664-45567-00-08	GRUESO	SHIM (t:0.08mm)	SPESSORE
		664-45567-00-12	GRUESO	SHIM (t:0.12mm)	SPESSORE
		664-45567-00-30	GRUESO	SHIM (t:0.30mm)	SPESSORE
		664-45567-00-50	GRUESO	SHIM (t:0.50mm)	SPESSORE
42	REC6E7-45560-00	6E7-45560-00	ENGRANAJE	GEAR	INGRANAGGIO
43	REC682-45631-00	682-45631-00	SELECTOR	CLUTCH, DOG	SELETTORE
44	REC90250-05010	90250-05010	PASADOR	PIN, STRAIGHT	SPINOTTO
45	REC648-45633-00	648-45633-00	ANILLO	RING, CROSS PIN	O-RING
46	REC650-45635-00	650-45635-00	PISTÓN	PLUNGER, SHIFT	PISTONE
47		90501-14M06	MUELLE	SPRING, COMPRESSION	MOLLA
48	REC683-45611-00	683-45611-00	EJE HÉLICE	SHAFT, PROPELLER	ASSE ELICA
49	REC90201-17682	90201-17682	ARANDELA	WASHER, PLATE	RONDELLA
50		626-45577-00-01	GRUESO	SHIM (t:0.10mm)	SPESSORE
		626-45577-00-03	GRUESO	SHIM (t:0.30mm)	SPESSORE
		626-45577-00-05	GRUESO	SHIM (T:0.50mm)	SPESSORE
51	REC6E7-45570-00	6E7-45571-00	ENGRANAJE	GEAR	INGRANAGGIO
52	REC93306-00501	93306-00501	RODAMIENTO	BEARING	CUSCINETTO
53	REC93210-57M09	93210-57M09	ARO TÓRICO	O-RING	O-RING
54	REC683-45361-01-4D	683-45361-00-EJ	DIÁBOLO	CAP, LOWER CASING	COP. CASSA INGRANAGGI
55		97395-06020	TORNILLO	BOLT	VITE
56		92990-06600	ARANDELA	WASHER, PLATE	RONDELLA
57	REC93315-317U2	93315-317U2	RODAMIENTO	BEARING	CUSCINETTO
58	REC93101-17054	93101-17054	RETÉN	OIL SEAL	PARAOLIO
59	REC683-W0001-21	683-W0001-21	KIT JUNTAS COLA	LOWER UNIT GASKET KIT	KIT GUARNIZIONE
60	REC682-W0078-A1	682-W0078-00	KIT BOMBA AGUA	WATER PUMP REPAIR KIT	KIT POMPA ACQUA
61	REC682-44323-40	682-44323-40	CUERPO BOMBA AGUA	WATER PUMP HOUSING	CORPO POMA ACQUA



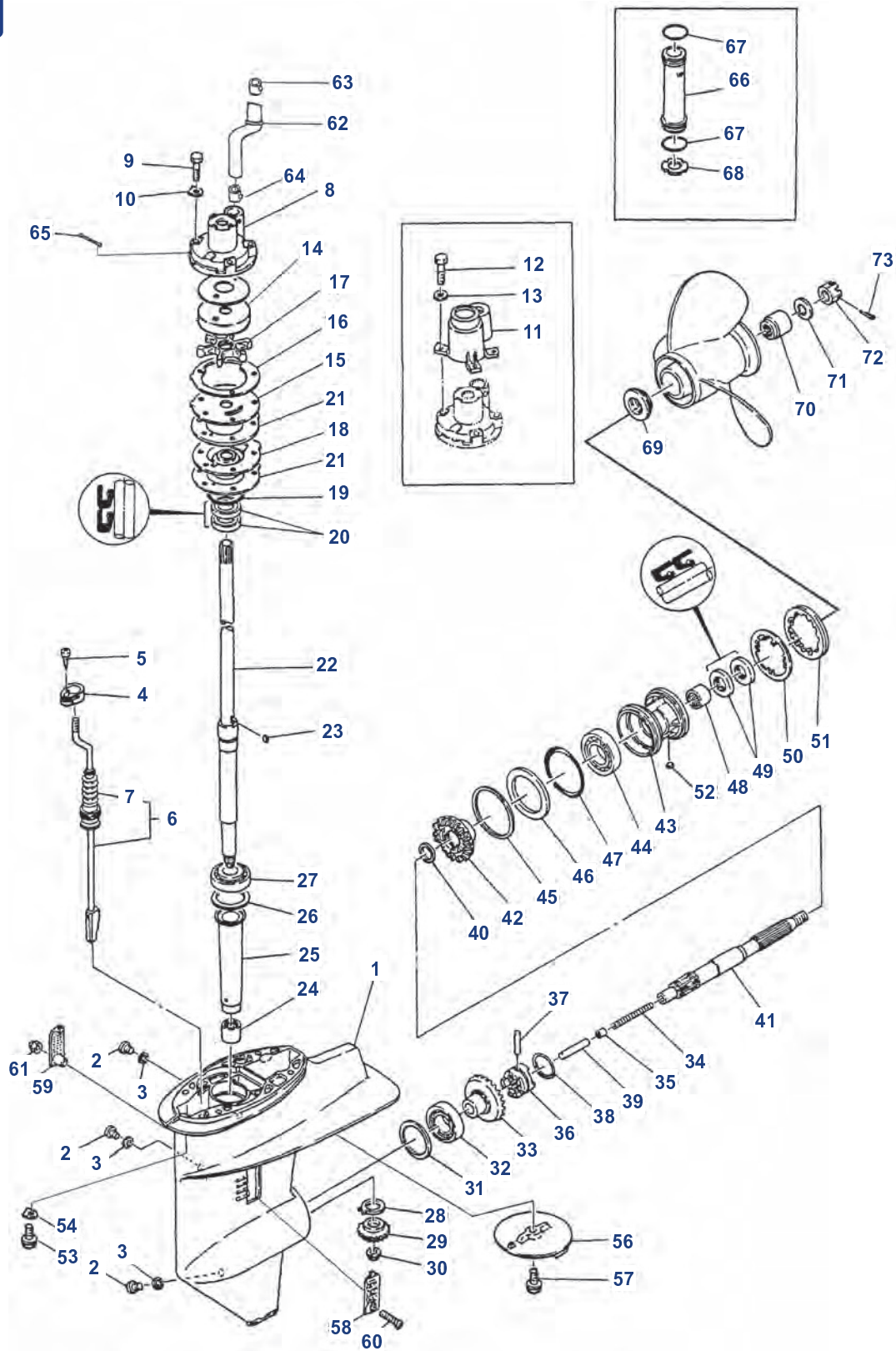
Ref.	R.O.
REC63V-W0078-01	63V-W0078-01

Kit reparación Bomba agua
Water Pump kit
Kit riparazione Pompa acqua

Ref.	R.O.
REC63V-W0001-22	63V-W0001-22

Kit juntas cola
Gearcase seal kit
Kit guarnizione piede

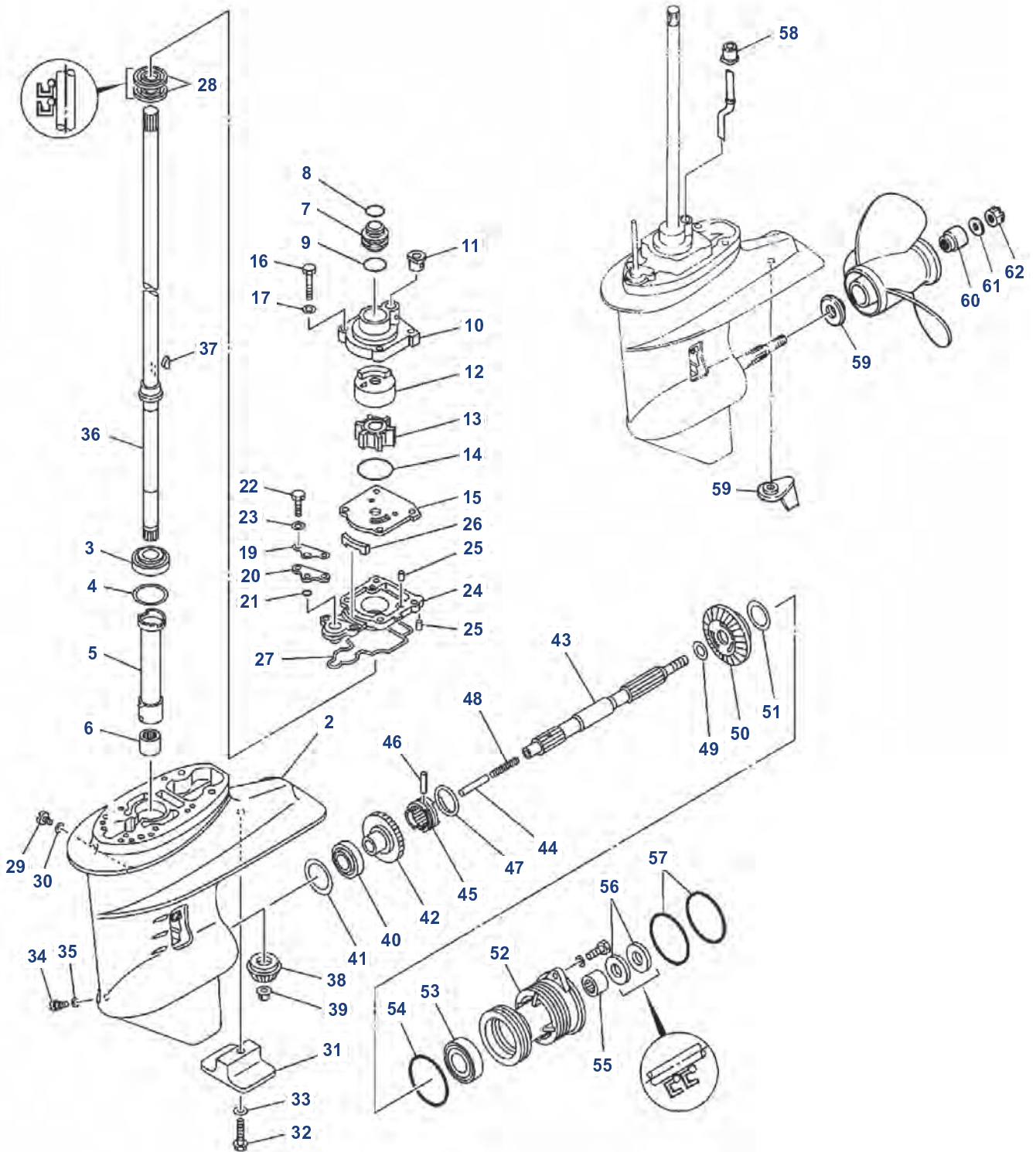
Nº	Ref.	R.O. / OEM	Descripción	Description	Descrizione
2		63V-45311-01-4D	CARTER	CASTING, LOWER	CARTER
3	REC93315-314V8	93315-314V8	RODAMIENTO	BEARING	CUSCINETTO
4	PAF15-06000006	63V-45536-00	TUBO GUÍA	SLEEVE, DRIVE SHAFT	TUBO GUIDA
5	REC93341-41414	93341-41414	RODAMIENTO	BEARING	CUSCINETTO
6	PAF15-06000008	6E8-45587-10-13	GRUESO	SHIM (t:1.13mm)	SPESSORE
7	REC93332-00005	93332-00005	RODAMIENTO	BEARING	CUSCINETTO
8	PAF15-06000010-1	664-45567-01-10	GRUESO	SHIM (t:0.10mm)	SPESSORE
9	PAF4-03000023	90340-08002	TAPÓN	PLUG, STRAIGHT SCREW	TAPPO
10	REC90430-08020	90430-08020	JUNTA	GASKET	GUARNIZIONE
11	REC63V-44301-00	63V-44301-00	CUERPO BOMBA	WATER PUMP HOUSE	CORPO POMPA
12	REC63V-44322-00	63V-44322-00	CASQUILLO INOX.	INSERT, CARTDRIGE	GHIERA INOX.
13	REC647-44366-00	647-44366-00	CASQUILLO JUNTA	DAMPER, WATER SEAL	BOCCOLA
14	REC63V-44352-01	63V-44352-01	TURBINA	IMPELLER	GIRANTE
15	PAF15-06000013	63V44338-00	CHAVETA	KEY, WOODRUFF	CHIAVETTA
16	PAJASOF404-31-045	93210-44398	ARO TÓRICO	O-RING	O-RING
17	REC63V-44323-00	63V-44323-00	PLATO BOMBA	OUTER PLATE	PIASTRA POMPA
18	PAF15-00000013	93604-12M07	PIN CENTRADOR	PIN, DOWEL	SPINOTTO
19	REC97080-08045	97080-08045	TORNILLO	BOLT	VITE
20	PAF15-06000014	63V-44328-00	REFUERZO	PLATE	RINFORZO
21	REC63V-45331-00-5B	63V-45331-00-5B	CUERPO RODAMIENTO	HOUSING	SEDE CUSCINETTO
22	PAF15-06020002	90381-14020	CASQUILLO	BUSH, SOLID	BOCCOLA
23	REC93101-20048	93101-20048	RETÉN	OIL SEAL	PARAOLIO
24	REC63V-45315-A0	63V-45315-A0	JUNTA	PACKING, LOWER CASING	GUARNIZIONE
25	REC93210-06ME6	93210-06ME6	ARO TÓRICO	O-RING	O-RING
26		97080-08025	TORNILLO	BOLT	VITE
27	PAF15-06030000S	63V-44150-00	EJE SELECTOR -eje corto-	SHIFT CAM ASSY	ASSE SELETTORE
	PAF15-06030000	63V-44150-10	EJE SELECTOR -eje largo-	SHIFT CAM ASSY	ASSE SELETTORE
28	REC63V-45510-01	63V-45510-01	EJE VERTICAL -eje corto-	DRIVE SHAFT ASSY	ASSE VERTICALE
	REC677-41112-A0	63V-45510-11	EJE VERTICAL -eje largo-	DRIVE SHAFT ASSY	ASSE VERTICALE
29	REC63V-45551-00	63V-45551-00	ENGRANAJE	PINION	INGRANAGGIO
30	REC90179-08M06	90179-08M06	TUERCA	NUT	DADO
31	REC6E7-45560-01	6E7-45560-01	ENGRANAJE	GEAR	INGRANAGGIO
32	REC6E7-45570-00	6E7-45571-00	ENGRANAJE	GEAR	INGRANAGGIO
33	PAF15-06080006-1	626-45577-00	GRUESO	SHIM	SPESSORE
34	REC90201-17682	90201-17682	ARANDELA	WASHER, PLATE	RONDELLA
35	REC683-45611-00	683-45611-00	EJE HÉLICE	SHAFT, PROPELLER	ASSE ELICA
36	REC650-45635-00	650-45635-00	BULÓN	PLUNGER, SHIFT	BULLONE
37	REC677-41112-A0	682-45631-00	DESPLAZABLE	CLUTCH DOG	SCORREVOLE
38	REC90250-05010	90250-05010	PASADOR SELECTOR	PIN, STRAIGHT	SPINOTTO SELETTORE
39	REC683-45361-02-4D	648-45633-00	MUELLE SELECTOR	RING, CROSS PIN	MOLLA SELETTORE
40	PAF15-06070002	90501-14M06	MUELLE COMPRESIÓN	SPRING	MOLLA
41	REC683-45361-01-4D	683-45361-02-4D	DIÁBOLO CIERRE	CAP, LOWER CASING	CHIUSURA CASSA INGRANAGGI
42	REC93306-00501	93306-00501	RODAMIENTO	BEARING (B6005)	CUSCINETTO
43	REC93315-317U2	93315-317U2	RODAMIENTO	BEARING	CUSCINETTO
44	REC93101-17054	93101-17054	RETÉN	OIL SEAL	PARAOLIO
45	REC93210-57M09	93210-57M09	ARO TÓRICO	O-RING	O-RING
46	PAF15-06080003	93210-56M80	ARO TÓRICO	O-RING	O-RING
47		97095-06020	TORNILLO	BOLT	VITE
48	PAGB/T97.1-8	92995-06600	ARANDELA	WASHER	RONDELLA
49	CM61N-45251-01	61N-45251-01	ÁNODO	ANODE	ANODO
50	REC6E7-45987-00	6E7-45987-01	SEPARADOR	SPACER	DISTANZIALE
51	REC90171-10M01	90171-10M01	TUERCA HÉLICE	NUT, CASTLE	DADO ELICA
52	REC91490-30020	91490-30020	PASADOR ALETAS	PIN, COTTER	PIN ELICA



Ref.	R.O.
REC689-W0078-A6	689-W0078-A6
Kit reparación Bomba agua Water Pump kit Kit riparazione Pompa acqua	

Ref.	R.O.
REC689-W0001-21	689-W0001-21
Kit juntas cola Gearcase seal kit Kit guarnizione piede	

Nº	Ref.	R.O. / OEM	Descripción	Description	Descrizione
1		689-45311-04-EK3	CARCASA	CASING	CARCASSA
2	PAF4-03000023	90340-08M04	TAPONES	PLUG	TAPPO
3	REC90430-08020	90430-08020	JUNTA TAPON	GASKET	GUARNIZIONE TAPPO
8	REC689-44311-00	689-44311-03	CUERPO BOMBA AGUA	HOUSING W.P.	CORPO POMPAACQUA
9	REC90101-06M56	90101-06M56	TORNILLO CUERPO BOMBA	BOLT	VITE
10		90209-06M04	ARANDELA	WASER	RONDELLA
14	REC689-W4432-01	689-W4432-02	ACOPLE	INSERT CUP	ACCOPIAMENTO
15	REC689-44323-00	689-44323-03	CHAPA	PLATE	PIASTRA
15	REC689-44323-00	689-44323-02	CHAPA	PLATE	PIASTRA
16	REC689-44324-A0	689-44324-A0	JUNTA, CHAPA	GASKET	GUARNIZIONE
17	REC689-44352-02	689-44352-02	IMPULSOR	IMPELLER	GIRANTE
18		689-44325-02-5B	BASE, BOMBA AGUA	HOUSING	BASE, POMPAACQUA
19	REC93210-40M10	93210-40M10	ARO, BASE BOMBA	O-RING	O-RING
20	REC93101-22067	93101-22067	RETÉN ACEITE	OIL SEAL	PARAOLIO
21	REC689-44316-A0	689-44316-A0	JUNTA BASE	GASKET	GUARNIZIONE
21	REC689-44315-A0	689-44315-A0	JUNTA BASE	GASKET	GUARNIZIONE
22		689-45501-00	EJE (CORTO)	DRIVE SHAFT	ASSE VERTICALE
22	REC689-45501-10	689-45501-10	EJE (LARGO)	DRIVE SHAFT	ASSE VERTICALE
23	REC664-44338-00	664-44338-00	CHAVETA	KEY	CHIAVETTA
24	REC93315-017U4	93315-017U4	COJINETE, PIÑÓN	BEARING	CUSCINETTO
25		689-45536-00	CAMISA	SLEEVE	ASSE
27		93332-000U4	COJINETE	BEARING	CUSCINETTO
28		664-45552-09	COJINETE	BEARING	CUSCINETTO
29	REC689-45551-00	689-45551-00	PIÑÓN	GEAR	PIGNONE
30	REC90179-09M02	90179-09M02	TUERCA, PIÑÓN	NUT	DADO
32	REC93332-00005	93332-00005	COJINETE	BEARING	CUSCINETTO
33	REC689-45560-00	689-45560-00	PIÑÓN	GEAR	PIGNONE
34		90501-10065	MUELLE	SPRING	MOLLA
35		648-45634-00	DESPLAZABLE	SLIDE	SCORREVOLE
36	REC664-45631-01	664-45631-01	SELECTOR	CLUTCH	SELETTORE
37	REC90250-05010	90250-05010	PASADOR	PIN	SPINOTTO
38	REC648-45633-00	648-45633-00	ARO, PASADOR	CROSS PIN	O-RING
39	REC648-45635-00	648-45635-00	PIVOTE	PIN	PERNO
40	REC90201-20417	90201-20417	ARANDELA	WASHER	RONDELLA
41	REC689-45611-00	689-45611-00	EJE HÉLICE	SHAFT PROPELLER	ASSE ELICA
42	REC689-45570-00	689-45570-00	PIÑÓN MARCHA ATRÁS	GEAR R.V	PIGNONE MARCIA INDIETRO
43		689-45331-01-94	COJINETE	BEARING	CUSCINETTO
44	REC93306-00612	93306-00612	COJINETE	BEARING	CUSCINETTO
46		664-45576-00	ARANDELA	WASHER	RONDELLA
47		93210-30MA3	ARO, COJINETE	O-RING	O-RING
48	REC93315-22004	93315-22004	COJINETE	BEARING	CUSCINETTO
49	REC93101-20M07	93101-20M07	RETÉN	OIL SEAL	PARAOLIO
50		902-14-45M02	ARANDELA	WASHER	RONDELLA
51	REC664-45384-00	664-45384-00	TUERCA	NUT	DADO
52	REC90282-04010	90282-04010	CHAVETA	KEY	CHIAVETTA
56	CM664-45371-01	664-45371-01-00	ÁNODO	ANODE	ANODO
57		90105-08M02	TORNILLO	BOLT	VITE
63	REC689-44366-00	689-44366-00	RETÉN SUPERIOR TUBO DE AGUA	DUMPER WATER TUBE	PARAOLIO SUPERIORE TUBO ACQUA
64	REC626-44365-01	626-44365-01	RETÉN SUPERIOR TUBO DE AGUA	DUMPER WATER TUBE	PARAOLIO SUPERIORE TUBO ACQUA
65		689-44314-00	ESPACIADOR	SPACER	DISTANZIALE
69	REC664-45987-00	664-45987-00	ESPACIADOR	SPACER	DISTANZIALE
70	REC689-45997-00	689-45997-00	ESPACIADOR	SAPCER	DISTANZIALE
71		92990-14200	ARANDELA	WASHER	RONDELLA
72	REC90171-14013-00	90171-14013	TUERCA HÉLICE	NUT	DADO
73	REC91490-30030	91490-30030	PASADOR	COTTER PIN	PIN



Ref.	R.O.
REC61N-W0001-E1	61N-W0001-E1
Kit juntas cola Gearcase seal kit Kit guarnizione piede	

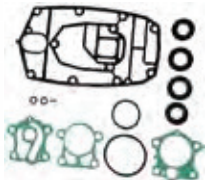
Nº	Ref.	R.O. / OEM	Descripción	Description	Descrizione
1		69P-45300-01-4D	COLA COMPLETA	LOWER UNIT ASSY	PIEDE COMPLETO
		69P-45300-11-4D	COLA COMPLETA	LOWER UNIT ASSY	PIEDE COMPLETO
2		61N-45311-02-4D	CARTER	CASING, LOWER	CARTER
3	REC93332-000W5	93332-000WS	RODAMIENTO	BEARING	CUSCINETTO
4	PAF25-0400003-1	61N-45587-00-07	GRUESO	SHIM (t:0.7mm)	SPESSORE
5	PAF25-04000002	61N-45536-00	TUBO GUÍA	SLEEVE, DRIVE SHAFT	TUBO GUIDA
6	REC93315-220V7	93315-220V7	RODAMIENTO	BEARING	CUSCINETTO
7	PAF25-04000017S	61N-44362-00	TUBO AGUA LARGO	LARGE WATER TUBE	TUBO ACQUA
7	PAF25-04000017	61N-44362-10	TUBO AGUA LARGO	LARGE WATER TUBE	TUBO ACQUA
8	PAGB/T3452.1-25.8X2	93210-22164	ARO TÓRICO	O-RING	O-RING
9	PAGB/T3452.1-25.8X2	93210-26130	ARO TÓRICO	O-RING	O-RING
10	PAF25-04050001	61N-44311-01	CUERPO BOMBA	HOUSING, WATER PUMP	CORPO POMPA
11	PAF25-04050004	6L2-44367-00	CASQUILLO	DAMPER WATER PIPE	BOCCOLA.
12	REC61N-44322-00	61N-44322-01	CASQUILLO INOX.	INSERT, CARTRIDGE	BOCCOLA INOX.
13	REC6H4-44352-02	6H4-44352-02	TURBINA	IMPELLER	GIRANTE
14	PAF25-04050003	93210-45161	ARO TÓRICO	O-RING	O-RING
15	REC61N-44323-00	61N-44323-00	PLATO BOMBA AGUA	OUTTER PLATE, CARTRIDGE	PIASTRA POMPA ACQUA
16	REC97095-06040	97095-06040	TORNILLO	BOLT	VITE
17	PAGB/T97.1-6	92995-06600	ARANDELA	WASHER	RONDELLA
19		61N-44176-00	SOPORTE	BRACKET	SUPPORTO
20		61N-45321-00	PLATO	PLATE	PIASTRA
21		93210-06ME6	ARO TÓRICO	O-RING	O-RING
22		97095-06025	TORNILLO	BOLT	VITE
23		92995-06600	ARANDELA	WASHER	RONDELLA
24		61N-45331-00-5B	CASQUILLO	HOUSING, BEARING	BOCCOLA
25	PAF25-04000007	93604-10M03	PIN CENTRADO	PIN, DOWEL	SPINOTTO
26	PAF25-04000013	61N-45127-00	RETÉN	SEAL	PARAOLIO
27	PAF25-04000009	61N-45315-00	JUNTA	PACKING, LOWER CASING	GUARNIZIONE
28	REC93101-22067	93101-22067	RETÉN	OIL SEAL	PARAOLIO
29	REC90340-08002	90340-08002	TAPÓN	PLUG, STRAIGHT SCREW	TAPPO
30	REC27-81987	90430-08020	JUNTA	GASKET	GUARNIZIONE
31	CM61N-45251-01	61N-45251-01	ÁNODO	ANODE	ANODO
32		95895-06035	TORNILLO	BOLT, FLANGE	VITE
33		92990-06300	ARANDELA	WASHER, INTERNAL TOOTH	RONDELLA
34	REC688-45341-00	688-45341-10	TAPÓN VACIADO	PLUG, DRAIN	TAPPO
35	REC27-81987	90430-08020	JUNTA	GASKET	GUARNIZIONE
36	REC61N-45510-00	61N-45510-00	EJE VERTICAL	DRIVE SHAFT ASSY	ASSE VERTICALE
	REC61N-45510-10	61N-45510-10	EJE VERTICAL	DRIVE SHAFT ASSY	ASSE VERTICALE
37	REC90280-03M03	90280-03M03	CHAVETA	KEY, WOODRUFF	CHIAVETTA
38	REC61N-45551-00	61N-45551-00	ENGRANAJE	PINION	PIGNONE
39	REC90179-10M14	90179-10M14	TUERCA	NUT	DADO
40	REC93332-00005	93332-00005	RODAMIENTO	BEARING	CUSCINETTO
41	PAF25-04000004-1	6L2-45567-00-10	GRUESO	SHIM (t:1.0mm)	SPESSORE
42	REC61N-45560-10	61N-45560-10	ENGRANAJE	GEAR	INGRANAGGIO
43	REC6L2-45611-00	6L2-45611-00	EJE HÉLICE	SHAFT, PROPELLER	ASSE ELICA
44	REC648-45635-00	648-45635-00	BULÓN	PLUNGER, SHIFT	BULLONE
45	REC664-45631-00	664-45631-02	DEAPLAZABLE	CLUTCH, DOG	SCORREVOLE
46	REC90250-05010	90250-05010	PASADOR	PIN, STRAIGHT	SPINOTTO
47	REC648-45633-00	648-45633-00	MUELLE	RING, CROSS PIN	MOLLA
48	PAF25-04060002	90501-10065	MUELLE COMPRESIÓN	SPRING, COMPRESSION	MOLLA
49	REC90201-20417	90201-20417	ARANDELA	WASHER, PLATE	RONDELLA
50	REC61N-45570-00	61N-45571-00	ENGRANAJE	GEAR	INGRANAGGIO
51	PAF25-04070005-1	6L2-45577-00-10	GRUESO	SHIM (t:1.0mm)	SPESSORE
52	PAF25-04070001	61N-45361-01-4D	DIÁBOLO	CAP, LOWER CASING	COP. CASSA INGRANAGGI
53	REC93306-00612	93306-00612	RODAMIENTO	BEARING	CUSCINETTO
54	REC93210-64ME7	93210-64ME7	ARO TÓRICO	O-RING	O-RING
55	REC93315-22004	93315-22004	RODAMIENTO	BEARING	CUSCINETTO
56	REC93101-20M07	93101-20M07	RETÉN	OIL SEAL	PARAOLIO
57	REC93210-65M50	93210-65M50	ARO TÓRICO	O-RING	O-RING
58	REC689-44366-00	689-44366-00	CASQUILLO	DAMPER, WATER SEAL	BOCCOLA
59	CM61N-45371-00	61N-45371-00	ÁNODO ZINC	TAB-TRIM	ANODO ZINCO
60	REC6L2-45987-00	6L2-45987-01	SEPARADOR	SPACER	DISTANZIALE
61	REC689-45997-00	689-45997-00	SEPARADOR	SPACER	DISTANZIALE
62	PAGB/T97.1-14	92990-14200	ARANDELA	WASHER, PLAIN	RONDELLA
63	REC90171-14013-00	90171-14013	TUERCA	NUT, CASTLE	DADO

Ref.	R.O.
REC6J8-W0078-A2	6J8-W0078-A2

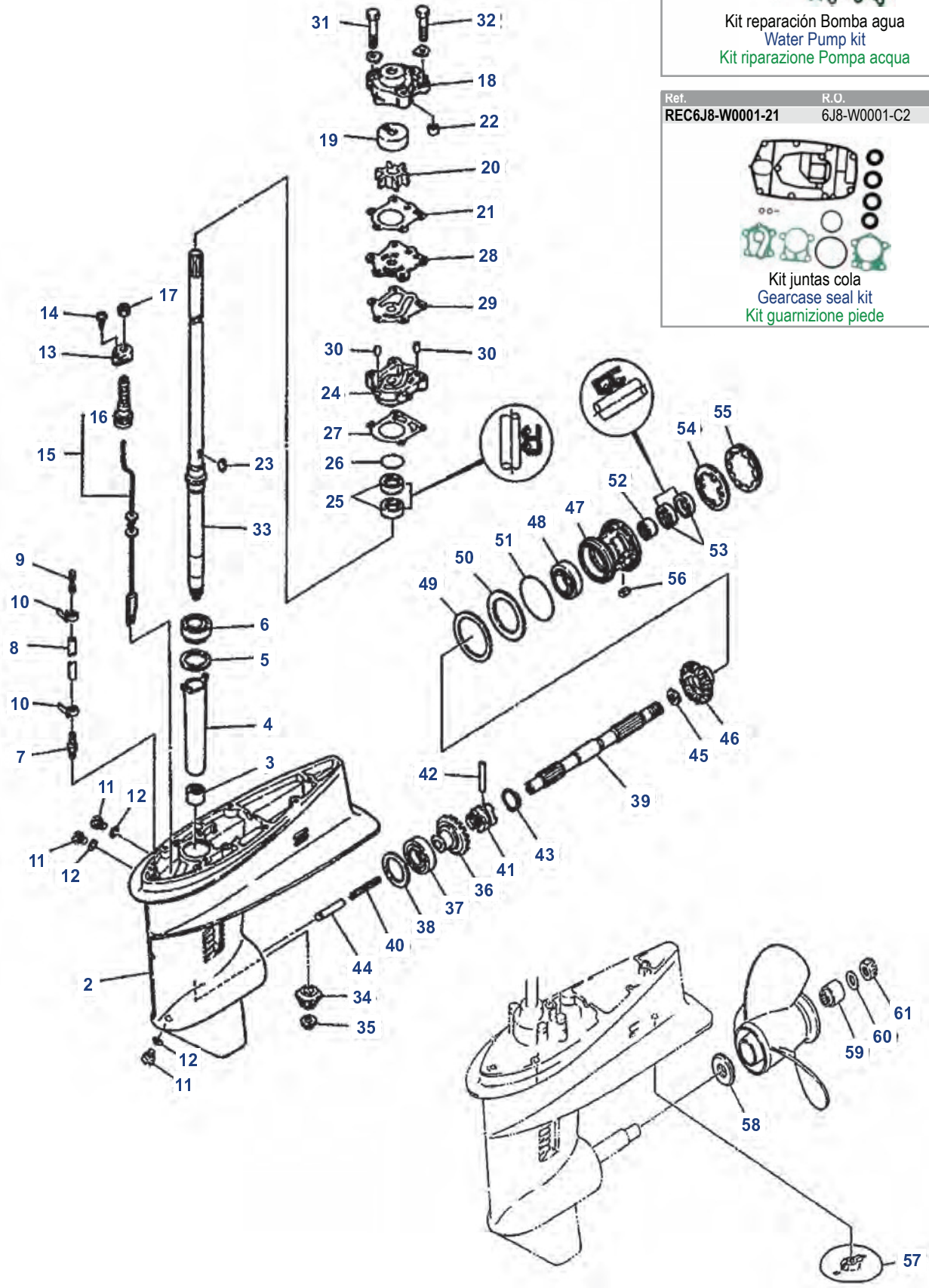


Kit reparación Bomba agua
Water Pump kit
Kit riparazione Pompa acqua

Ref.	R.O.
REC6J8-W0001-21	6J8-W0001-C2




Kit juntas cola
Gearcase seal kit
Kit guarnizione piede



Nº	Ref.	R.O. / OEM	Descripción	Description	Descrizione
1		6J8-45300-04-4D	COLA COMPLETA	LOWER UNIT ASSY	PIEDE COMPLETO
		6J8-45300-14-4D	COLA COMPLETA	LOWER UNIT ASSY	PIEDE COMPLETO
2		6J8-45301-02-4D	CARTER	CASING, LOWER	CARTER
3	REC93315-220V7	93315-220V7	RODAMIENTO	BEARING	CUSCINETTO
4		6J8-45536-00	TUBO GUIA	SLEEVE, DRIVE SHAFT	TUBO GUIDA
5		663-45587-01	GRUESO	SHIM (t:0.10mm)	SPESSORE
6	REC93332-00001	93332-00001	RODAMIENTO	BEARING	CUSCINETTO
7		6E5-45378-00	RACORD	NIPPLE, HOSE	RACCORDO
8		90445-07ME9	TUBO	HOSE (L120)	TUBO
		90445-07M31	TUBO	HOSE (L120)	TUBO
9		6E5-83558-00	RACORD	END, NIPPLE	RACCORDO
10		90465-11M10	ABRAZADERA	CLAMP	FASCETTA
11	REC90340-08014	90340-08002	TAPÓN	PLUG, STRAIGHT SCREW	TAPPO
12	REC90430-08020	90430-08020	JUNTA	GASKET	GUARNIZIONE
13		682-44176-00	SOPORTE	BRACKET	SUPPORTO
14		97780-50510	TORNILLO	SCREW, TAPPING	VITE
15		6J8-44150-00	EJE SELECTOR	SHIFT CAM ASSY	ASSE SELETTORE
		6J8-44150-10	EJE SELECTOR	SHIFT CAM ASSY	ASSE SELETTORE
16	REC682-44147-00	682-44147-00	TAPÓN GUÍA	BOOT, SHIFT ROD	TAPPO
17		95380-06700	TUERCA	NUT	DADO
18	REC6J8-44311-00	6J8-44311-00	CUERPO BOMBA AGUA	HOUSING, WATER	CORPO POMPA ACQUA
19	REC663-44322-00	663-44322-00	CASQUILLO INOX	INSERT, CARTRIDGE	BOCCOLA INOX.
20	REC6H4-44352-02	6H4-44352-02	TURBINA	IMPELLER	GIRANTE
21	REC663-44315-A0	663-44315-A0	JUNTA	GASKET, WATER PUMP	GUARNIZIONE
22	REC663-44366-00	663-44366-00	CASQUILLO GOMA	DAMPER, WATER SEAL	BOCOLLA GOMMA
23	REC90280-03024	90280-03024	CHAVETA	KEY, WOODRUFF	CHIAVETTA
24		663-44341-00	TAPA INFERIOR, BOMBA	HOUSING	COPERCHIO INFERIORE POMPA
25	REC93101-23070	93101-23070	RETÉN	OIL SEAL	PARAOILIO
26	REC93210-41042	93210-41042	ARO TÓRICO	O-RING	O-RING
27	REC663-44316-A0	663-44316-A0	JUNTA	GASKET, WATER PUMP	GUARNIZIONE
28	REC663-44323-00	663-44323-00	PLATO BOMBA AGUA	OUTTER PLATE	PIASTRA POMPA ACQUA
29	REC663-44324-00	663-44324-A0	JUNTA	GASKET, CARTRIDGE	GUARNIZIONE
30		93604-08062	CENTRADOR	PIN, DOWEL	SPINOTTO
31	REC90119-08M13	90119-08M13	TORNILLO	BOLT, WITH WASHER	VITE
32		90119-08M34	TORNILLO	BOLT WITH WASHER	VITE
33		6J8-45501-00	EJE	DRIVE SHAFT COMP.	ASSE
		6J8-45501-10	EJE	DRIVE SHAFT COMP.	ASSE
34		6J8-45551-00	ENGRANAJE	PINION (13T)	PIGNONE
35	REC90179-10M14	90179-10M14	TUERCA	NUT	DADO
36		6J8-45560-00	ENGRANAJE	GEAR 1 (24T)	INGRANAGGIO
37		93332-000V6	RODAMIENTO	BEARING	CUSCINETTO
38		6J8-45567-01	GRUESO	SHIM	SPESSORE
39		6J8-45611-00	EJE	SHAFT, PROPELLER	ASSE ELICA
40	PAF25-04060002	90501-10065	MUELLE	SPRING, COMPRESSION	MOLLA
41		6J8-45631-00	DESPLAZABLE	CLUTCH DOG	SCORREVOLE
42	REC90250-05010	90250-05010	PASADOR	PIN, STRAIGHT	SPINOTTO
43	REC648-45633-00	648-45633-00	ARO	RING CROSS PIN	O-RING
44		6J8-45635-00	BULÓN	PLUNGER, SHIFT	BULLONE
45	REC90201-20417	90201-20417	ARANDELA	WASHER, PLATE	RONDELLA
46		6J8-45571-00	ENGRANAJE	GEAR 2 (24T)	INGRANAGGIO
47		689-45331-01-94	DIÁBOLO	HOUSING, BEARING	COP. CASSA INGRANAGGI
48	REC93306-00612	93306-00612	RODAMIENTO	BEARING	CUSCINETTO
49		664-45577-01	GRUESO	SHIM	SPESSORE
50		664-45576-00	ARANDELA	WASHER, THRUST	RONDELLA
51	REC93210-60MA3	93210-60MA3	ARO TÓRICO	O-RING	O-RING
52	REC93315-22004	93315-22004	RODAMIENTO	BEARING	CUSCINETTO
53	REC93101-20M07	93101-20M07	RETÉN	OIL SEAL	PARAOILIO
54		90214-45M02	ARANDELA	WASHER, CLAW	RONDELLA
55	REC664-45384-00	664-45384-00	TUERCA	NUT	DADO
56	REC90282-04010	90282-04010	CHAVETA	KEY, STRAIGHT	CHIAVETTA
57	CM664-45371-01	664-45371-01	ÁNODO DERIVA	TAB-TRIM	ANODO
58	REC6L2-45987-00	6L2-45987-01	DISTANCIADOR	SPACER	DISTANZIALE
59	REC689-45997-00	689-45997-00	DISTANCIADOR	SPACER	DISTANZIALE
60	PAGB/T 97.1-14	92990-14200	ARANDELA	WASHER, PLAIN	RONDELLA
61	REC90171-14013-00	90171-14013	TUERCA HÉLICE	NUT, CASTLE	DADO

Ref.	R.O.
REC6H4-W0078-00	6H4-W0078-A0

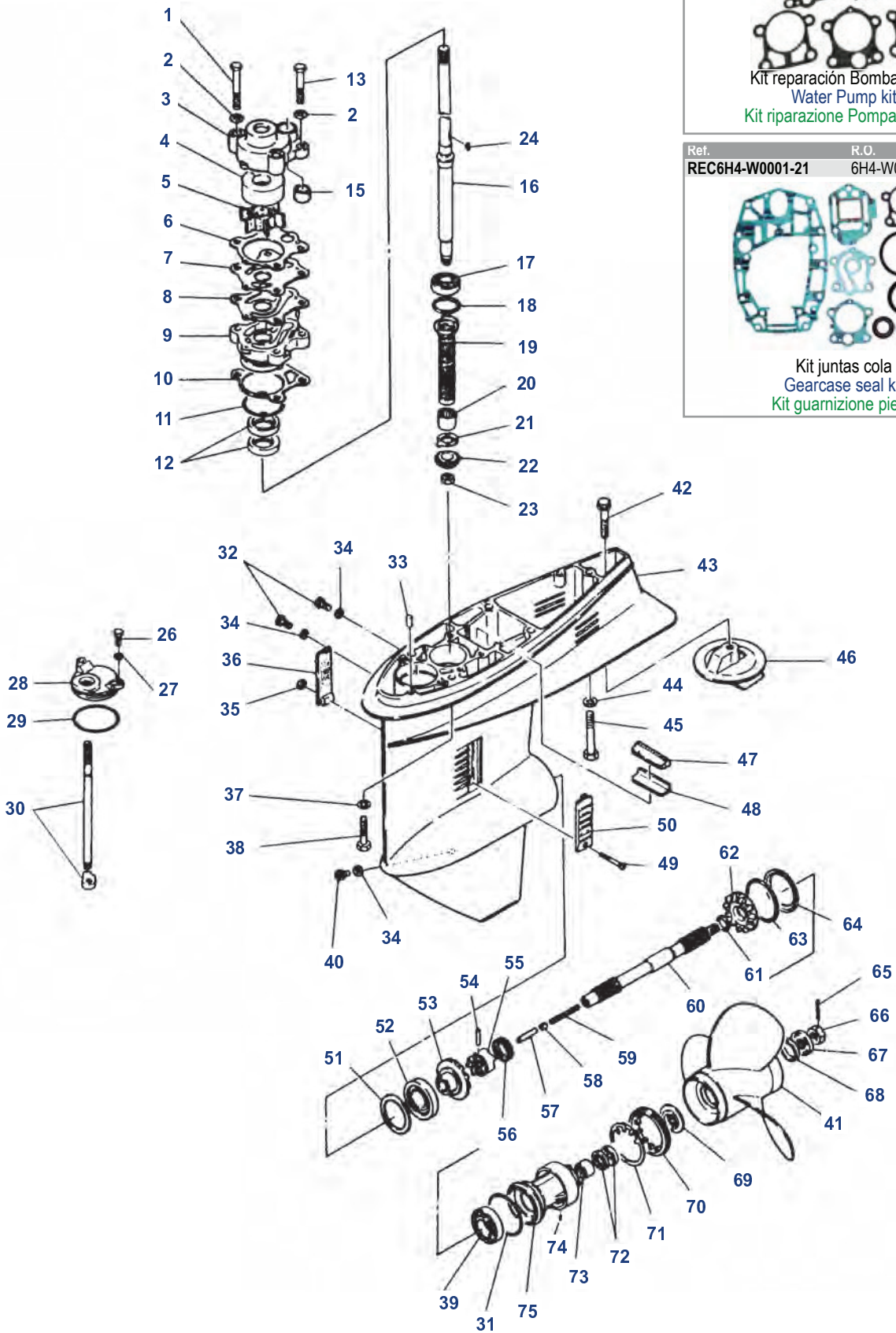


Kit reparación Bomba agua
Water Pump kit
Kit riparazione Pompa acqua

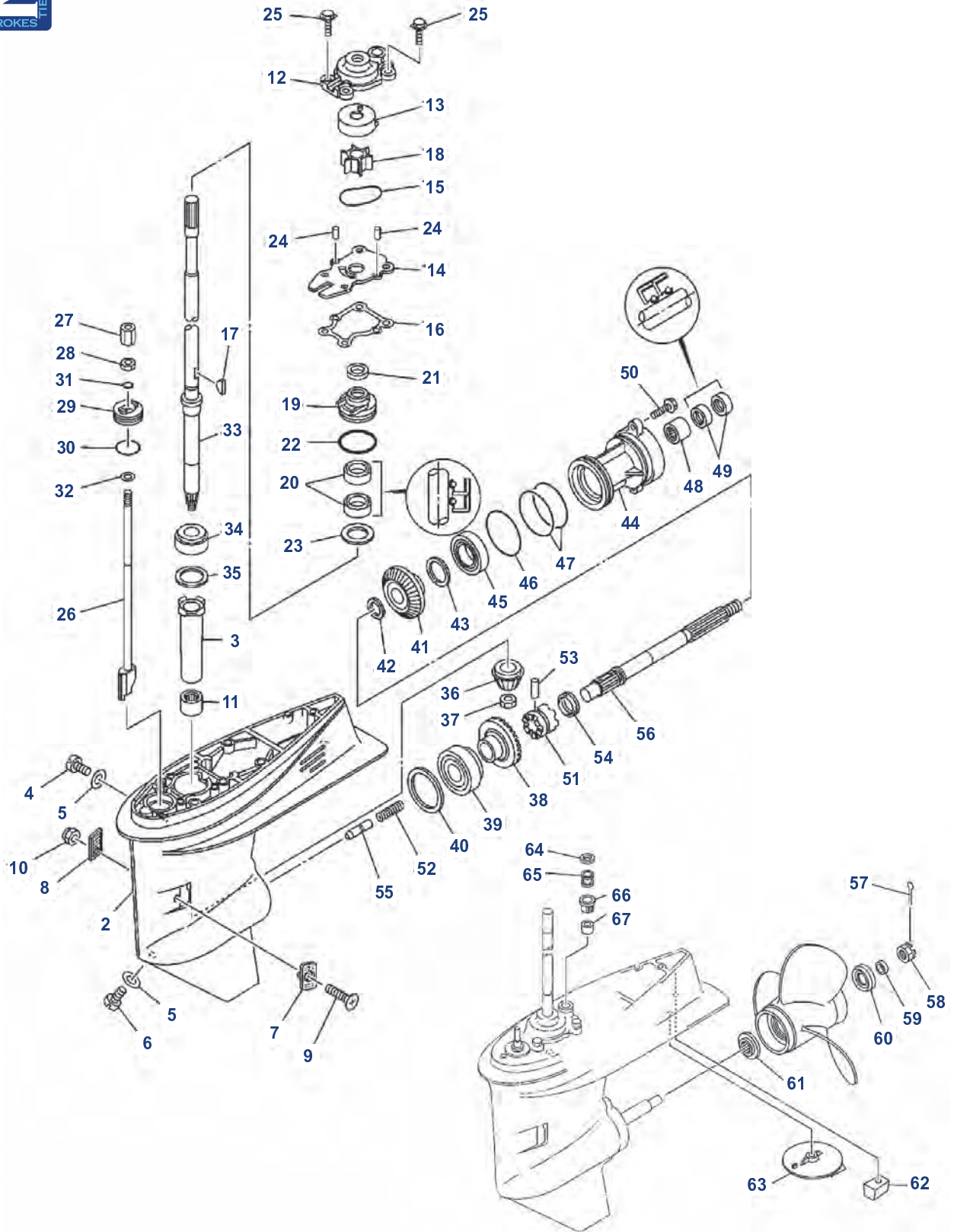
Ref.	R.O.
REC6H4-W0001-21	6H4-W0001-21



Kit juntas cola
Gearcase seal kit
Kit guarnizione piede



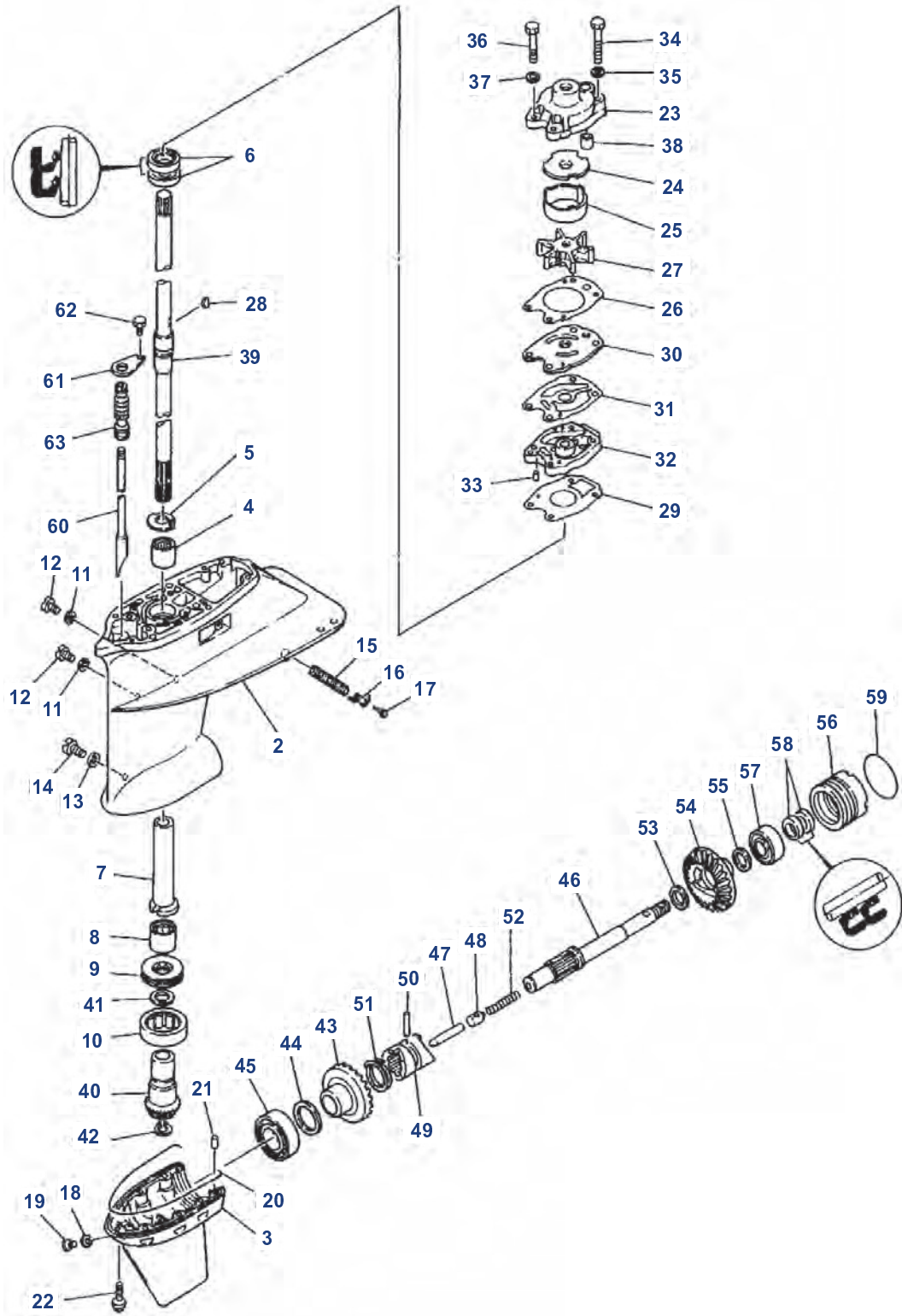
Nº	Ref.	R.O. / OEM	Descripción	Description	Descrizione
1	REC97095-08055	97395-08055	TORNILLO	BOLT	VITE
2		92990-08600	ARANDELA	WASHER	RONDELLA
3	REC663-44311-02	663-44311-02	CUERPO BOMBA AGUA	HOUSING WATER P.	CORPO POMPA ACQUA
4	REC663-44322-00	663-44322-00	CASQUILLO	INSERT CARTRIDGE	BOCCOLA
5	REC6H4-44352-02	6H4-44352-02	IMPULSOR	IMPELLER	GIRANTE
6	REC663-44315-00	663-44315-A0	JUNTA	GASKET	GUARNIZIONE
7	REC663-44323-00	663-44323-00	TAPA	OUTTER PLATE	TAPPO
8	REC663-44324-00	663-44324-A0	JUNTA	GASKET	GUARNIZIONE
9		663-44341-00	BASE BOMBA AGUA	HOUSING	BASE POMPA ACQUA
10	REC663-44316-A0	663-44316-A0	JUNTA BASE	GASKET	GUARNIZIONE
11	REC93210-41042	93210-41042	ARO, BASE BOMBA	O-RING	O-RING
12	REC93101-23070	93101-23070	RETÉN ACEITE	OIL SEAL	PARAOILIO
13	REC97095-08045	97395-08045	TORNILLO	BOLT	VITE
15	REC663-44366-00	663-44366-00	RETÉN ACEITE	OIL SEAL	PARAOILIO
16		6H4-45501-00	EJE (CORTO)	DRIVE SHAFT	ASSE VERTICALE
16		6H4-45501-10	EJE (LARGO)	DRIVE SHAFT	ASSE VERTICALE
17		93332-00079	COJINETE RODILLOS	BEARING	CUSCINETTO
19		6H4-45536-00	CAMISA, EJE	SLEEVE	CAMICIA
20	REC93315-32224	93315-32224	RODAMIENTO AGUJAS	BEARING	CUSCINETTO
21	REC663-45552-00	663-45552-00	COJINETE (HASTA 1998)	BEARING	CUSCINETTO
22	REC6H4-45551-00	6H4-45551-00	PIÑÓN	GEAR	PIGNONE
23	REC90170-12138	90170-12138	TUERCA	NUT	DADO
24	REC90280-03024	90280-03024	CHAVETA	KEY	CHIAVETTA
26		97095-06016	TORNILLO	BOLT	VITE
27		92990-06600	ARANDELA	WASHER	RONDELLA
28		6H4-45321-01	PLATO	CAP	PIASTRA
29	REC93210-49046	93210-49046	ARO PLATO	O-RING	O-RING
31	REC93210-66M98	93210-66M98	ARO	O-RING	O-RING
39	REC93306-00702	93306-00702	RODAMIENTO BOLAS	BEARING	CUSCINETTO
40	REC688-45341-00	688-45341-00	TAPÓN DRENAJE	PLUG	TAPPO
42		97575-08675	TORNILLO ÁNODO	BOLT	VITE
43		6H4-45301-01-EK	CARTER	CASING	CARTER
44		92990-08100	ARANDELA	WASHER	RONDELLA
45		97095-08085	TORNILLO	BOLT	VITE
46	CM664-45371-01	664-45371-01	ÁNODO	ANODE	ANODO
47		688-45375-00	RETÉN	OIL SEAL	PARAOILIO
51		6H4-45567-00	SUPLEMENTO	SHIM	SPESSORE
52		93332-000V4	COJINETE	BEARING	CUSCINETTO
53	REC6H4-45560-00	6H4-45560-00	PIÑÓN	GEAR	PIGNONE
54	REC90250-06023	90250-06023	PASADOR	PIN	SPINOTTO
55	REC663-45631-00	663-45631-01	DESPLAZABLE	CLUTCH	SCORREVOLE
56	REC663-45633-00	663-45633-00	ARO	SPING	O-RING
57	REC676-45635-00	676-45635-00	PIVOTE	PIN	SPINOTTO
58	REC663-45634-00	663-45634-00	CASQUILLO	SLIDE	BOCCOLA
59		90501-16M01	MUELLE	COMPRESSION SPING	MOLLA
60	REC679-45611-00	679-45611-01	EJE HÉLICE	SHAFT PROPELLER	ASSE ELICA
61	REC90201-22429	90201-22429	ARANDELA	WASHER	RONDELLA
62	REC6H4-45570-00	6H4-45571-00	PIÑÓN MARCHA ATRÁS	GEAR REV.	PIGNONE MARCIA INDIETRO
64		663-45576-00	ARANDELA	WASHER	RONDELLA
65	REC91490-30030	91490-30030	PASADOR	PIN COTTER	SPINOTTO
66	REC90171-16011	90171-16011	TUERCA	NUT	DADO
67	REC92990-16200	92990-16200	ARANDELA	WASHER	RONDELLA
68	REC670-45997-00	670-45997-02	ESPACIADOR	SPACER	DISTANZIALE
69	REC663-45987-00	663-45987-02	ESPACIADOR	SPACER	DISTANZIALE
70	REC697-45384-00	697-45384-00	TUERCA	NUT	DADO
71		90214-48M03	ARANDELA	WASHER	RONDELLA
72	REC93101-22067	93101-22067	RETÉN ACEITE	OIL SEAL	PARAOILIO
73	REC93317-22204	93317-22204	COJINETE AGUJAS	CILINDRIC BEARING	CUSCINETTO
74	REC90282-04010	90282-04010	CHAVETA	KEY	CHIAVETTA
75		679-45331-00-94	COJINETE	BEARING	CUSCINETTO



Ref.	R.O.
REC66T-W0078-00	66T-W0078-00
Kit reparación Bomba agua Water Pump kit Kit riparazione Pompa acqua	

Ref.	R.O.
REC66T-W0001-20	66T-W0001-20
Kit juntas cola Gearcase seal kit Kit guarnizione piede	

Nº	Ref.	R.O. / OEM	Descripción	Description	Descrizione
1		66T-45300-01-4D	COLA COMPLETA	LOWER UNIT ASSY	PIEDE COMPLETO
		66T-45300-11-4D	COLA COMPLETA	LOWER UNIT ASSY	PIEDE COMPLETO
2		66T-45311-01-4D	CARTER	CASING, LOWER	CARTER
3		6H4-45536-00	TUBO GUÍA	SLEEVE	TUBO
4	REC90340-08014	90340-08002	TAPÓN	PLUG	TAPPO
5	REC90430-08020	90430-08020	JUNTA	GASKET	GUARNIZIONE
6	REC688-45341-00	688-45341-10	TAPÓN	PLUG	TAPPO
7		63D-45214-00	TAPA	COVER	COPERCHIO
8		63D-45215-00	TAPA	COVER	COPERCHIO
9		90142-05M06	TORNILLO	SCREW	VITE
10		95380-05600	TUERCA	NUT	DADO
11	REC93315-32224	93315-32224	RODAMIENTO	BEARING	CUSCINETTO
12	REC66T-44311-00	66T-44311-00	CUERPO BOMBA AGUA	HOUSING, WATER PUMP	CORPO POMPA ACQUA
13	REC63D-44322-00	63D-44322-00	CASQUILLO	INSERT	BOCCOLA
14	REC66T-44323-00	66T-44323-00	PLATO	OUTTER PLATE	PIASTRA
15	REC93210-59MG7	93210-59MG7	ARILLO TÓRICO	O-RING	O-RING
16	REC63D-44316-00	63D-44316-00	JUNTA	GASKET, WATER PUMP	GUARNIZIONE
17	REC90280-03M03	90280-03M03	CHAVETA	KEY	CHIAVETTA
18	REC6H4-44352-02	6H4-44352-02	TURBINA	IMPELLER	GIRANTE
19	REC63D-44341-00	63D-44341-00	CUERPO	HOUSING	CORPO
20	REC93101-22M60	93101-22M60	RETÉN	OIL SEAL	PARAOLIO
21		66T-45344-01	TAPA	COVER	COPERCHIO
22	REC93210-48MG8	93210-48MG8	ARILLO TÓRICO	O-RING	O-RING
23		90201-27M00	ARANDELA	WASHER	RONDELLA
24		93604-08062	PASADOR	PIN	SPINOTTO
25	REC90119-08M15	90119-08M15	TORNILLO	BOLT	VITE
26		66T-44150-01	EJE	SHIFT CAM ASSY	ASSE
		66T-44150-11	EJE	SHIFT CAM ASSY	ASSE
27	REC61N-44146-00	61N-44146-00	CONECTOR	CONNECTOR	RACCORDO
28	REC95380-06700	95380-06700	TUERCA	NUT	DADO
29		66T-45321-00	PLATO	PLATE	PIASTRA
30	REC93210-33MG4	93210-33MG4	ARILLO TÓRICO	O-RING	O-RING
31	REC93210-06ME6	93210-06ME6	ARILLO TÓRICO	O-RING	O-RING
32		92990-06600	ARANDELA	WASHER	RONDELLA
33	REC66T-45501-01	66T-45501-01	EJE VERTICAL	DRIVE SHAFT	ASSE VERTICALE
	REC66T-45501-10	66T-45501-11	EJE VERTICAL	DRIVE SHAFT	ASSE VERTICALE
34	REC93332-00001	93332-00001	RODAMIENTO	BEARING	CUSCINETTO
35		663-45587-01	GRUESO	SHIM	SPESSORE
36	REC66T-45551-00	66T-45551-00	PIÑÓN	PINION (13T)	PIGNONE
37	REC90170-12138	90170-12138	TUERCA	NUT	DADO
38	REC66T-45560-00	66T-45560-01	PIÑÓN	GEAR 1 (26T)	PIGNONE
39	REC93332-00003	93332-00003	RODAMIENTO	BEARING	CUSCINETTO
40		663-45567-60	GRUESO	SHIM	SPESSORE
41	REC66T-45570-00	66T-45571-00	PIÑÓN	PINION 2 (26T)	PIGNONE
42	REC90201-22429	90201-22429	ARANDELA	WASHER	RONDELLA
43		63D-45577-00	GRUESO	SHIM	SPESSORE
44	REC63D-45361-02-4D	63D-45361-02-4D	DIÁVOLO	CAP	COP. CASSA INGRANAGGI
45	REC93306-001U1	93306-001U1	RODAMIENTO	BEARING	CUSCINETTO
46	REC93210-69MG6	93210-69MG6	ANILLO TÓRICO	O-RING	O-RING
47	REC93210-74MG5	93210-74MG5	ANILLO TÓRICO	O-RING	O-RING
48	REC93317-22204	93317-22204	RODAMIENTO	BEARING	CUSCINETTO
49	REC93101-22M00	93101-22M00	RETÉN	OIL SEAL	PARAOLIO
50		90105-08M61	TORNILLO	BOLT	VITE
51	REC66T-45631-00	66T-45631-00	SELECTOR	CLUTCH, DOG	SELETTORE
52		90501-15M01	MUELLE	SPRING	MOLLA
53	REC90250-06023	90250-06023	PASADOR	PIN	SPINOTTO
54	REC663-45633-00	663-45633-00	ANILLO	RING	O-RING
55	REC66T-45635-00	66T-45635-00	BULÓN	PLUNGER	BULLONE
56	REC66T-45611-00	66T-45611-00	EJE HÉLICE	SHAFT	ASSE ELICA
57	REC91490-30025	91490-30025	PASADOR ALETAS	PIN	SPINOTTO
58	REC90171-16011	90171-16011	TUERCA HÉLICE	NUT, CASTLE	DADO
59	REC90389-22M01	90389-22M01	CASQUILLO GRUESO	BUSH	BOCCOLA
60	REC66T-45997-00	66T-45997-00	ESPACIADOR	SPACER	DISTANZIALE
61	REC663-45987-00	663-45987-02	ESPACIADOR	SPACER	DISTANZIALE
62	CM67C-45251-00	67C-45251-00	ÁNODO	ANODE	ANODO
63	CM664-45371-01	664-45371-01	ÁNODO DERIVA	TAB-TRIM	ANODO
64	REC90430-12072	90430-12072	JUNTA	GASKET	GUARNIZIONE
65		663-44367-00	CASQUILLO	DAMPER	BOCCOLA
66	REC63D-44312-00	63D-44312-00	TAPA	COVER	COPERCHIO
67	REC663-44366-00	663-44366-00	CASQUILLO	DAMPER	BOCCOLA



Ref.	R.O.
REC6F5-W0078-A0	6F5-W0078-A0
Kit reparación Bomba agua Water Pump kit Kit riparazione Pompa acqua	

Ref.	R.O.
REC6F5-W0001-C0	6F5-W0001-C0
Kit juntas cola Gearcase seal kit Kit guarnizione piede	

Nº	Ref.	R.O. / OEM	Descripción	Description	Descrizione
1		6F6-45300-02-4D	CONJUNTO UNIDAD INFERIOR	LOWER UNIT ASSY	PIEDE COMPLETO
		6F6-45300-12-4D	CONJUNTO UNIDAD INFERIOR	LOWER UNIT ASSY	PIEDE COMPLETO
		6F6-453000-22-4D	CONJUNTO UNIDAD INFERIOR	LOWER UNIT ASSY	PIEDE COMPLETO
2		6F5-45311-02-4D	FUNDA INFERIOR	CASING	COPERCHIO INFERIORE
3	REC6F5-45312-00-4D	6F5-45312-01-4D	FUNDA INFERIOR	CASING	COPERCHIO INFERIORE
4	REC93315-217U0	93315-217U0	COJINETE DE RODILLOS	BEARING	CUSCINETTO
5	REC676-45533-00	676-45533-00	ARANDELA DE EMPUJE AXIAL	WASHER	RONDELLA
6	REC93101-22M00	93101-22M00	SELLO ACEITE	OIL SEAL	PARAOILIO
7		676-45536-00	CAMISA EJE DE MANDO	SLEEVE	CAMICIA ASSE
8	REC93315-324U1	93315-324U1	COJINETE DE RODILLOS	BEARING	CUSCINETTO
9	REC93342-624U0	93342-624U0	COJINETE CON RODAMIENTOS	BEARING	CUSCINETTO
10	REC93390-000U0	93390-000U0	COJINETE DE RODILLOS	BEARING	CUSCINETTO
11	REC90430-08020	90430-08020	JUNTA	GASKET	GUARNIZIONE
12		90340-08002	TORNILLO, DRENAJE	BOLT DRAIN	VITE
13		90430-06M03	JUNTA	GASKET	GUARNIZIONE
14		90149-06M00	TORNILLO, DE REGLAJE	BOLT	VITE
15		676-45215-01	CUBIERTA ENTRADA AGUA	COVER FILTER	COPERCHIO ACQUA
16		6F5-45279-01	TAPA	CAP	TAPPO
17		97780-60525	TORNILLO CABEZA DE CONO ACH	BOLT	VITE
18	REC90430-08020	90430-08020	JUNTA	GASKET	GUARNIZIONE
19	REC688-45341-00	688-45341-10	TAPÓN, DREN	BOLT DRAIN	TAPPO
20	REC676-45314-00	676-45314-00	SELLO DE FUNDA INFERIOR	SEAL	BOCCOLA COPERCHIO INFERIORE
21		93604-09068	PASADOR DE CLAVIJA	PIN	SPINOTTO
22	REC90105-06M01	90105-06M01	TORNILLO	BOLT	VITE
23		676-44311-00	CAJA BOMBA AGUA	HOUSING WATER PUMP	ALLOGGIAMENTO POMPA ACQUA
24		676-44321-40	PLACA INTERIOR CARTUCHO	PLATE	PIASTRA
25		676-44322-40	CARTUCHO	INSERT CARTRIDGE	CARTUCCIA
26	REC676-44315-00	676-44315-A1	EMPAQUE	GASKET	GUARNIZIONE
27	REC6F5-44352-00	6F5-44352-00	IMPULSOR	IMPELLER	GIRANTE
28	REC90280-04M00	90280-04M00	CUNA WOODRUFF	KEY WOODRUFF	CHIAVE WOODRUFF
29	REC676-44316-A1	676-44316-A1	EMPAQUE	GASKET	GUARNIZIONE
30	REC676-44323-00-40	676-44323-40	PLACA EXTERIOR DEL CARTUCHO	PLATE	PIASTRA
31	REC676-44324-A0	676-44324-A1	EMPAQUE	GASKET	GUARNIZIONE
32	REC676-44341-00	676-44341-94	CAJA BOMBA DE AGUA	HOUSING WATER PUMP	ALLOGGIAMENTO POMPA ACQUA
33		93604-08062	PASADOR DE CLAVIJA	PIN, DOWEL	SPINOTTO
34	REC97095-08055	97095-08055	PERNO	BOLT	VITE
35		92995-08600	ARANDELA	WASHER	RONDELLA
36	REC97095-08045	97095-08045	PERNO	BOLT	VITE
37		92995-08600	ARANDELA	WASHER	RONDELLA
38	REC663-44366-00	663-44366-00	GOMA DEL SELLO DE AGUA	DAMPER WATER SEAL	BOCCOLA GOMMA ACQUA
39	REC676-45501-10	676-45501-00	EJE DE MANDO COMPL.	DRIVE SHAFT	ASSE VERTICALE
		676-45501-10	EJE DE MANDO COMPL.	DRIVE SHAFT	ASSE VERTICALE
		676-45501-20	EJE DE MANDO COMPL.	DRIVE SHAFT	ASSE VERTICALE
40	REC6F5-45551-00	6F5-45551-00	PIÑÓN	PINION (13T)	PIGNONE
41	REC676-45587-00	676-45587-00-70	GRUESO	SHIM (t:0.070mm)	SPESSORE
	REC676-45587-00-75	676-45587-00-75	GRUESO	SHIM (t:0.075mm)	SPESSORE
	REC676-45587-00-80	676-45587-00-80	GRUESO	SHIM (t:0.080mm)	SPESSORE
		676-45587-00-85	GRUESO	SHIM (t:0.085mm)	SPESSORE
42		93410-16007	SEGURO	CLIP	CLIP
43	REC6F5-45560-00	6F5-45560-00	ENGRANAJE COMPLE 1	GEAR	INGRANAGGIO
44	REC93332-000U0	676-45567-00-07	GRUESO	SHIM (t:0.7mm)	SPESSORE
		676-45567-00-08	GRUESO	SHIM (t:0.8mm)	SPESSORE
		676-45567-00-09	GRUESO	SHIM (t:0.9mm)	SPESSORE
		676-45567-00-10	GRUESO	SHIM (t:1.0mm)	SPESSORE
		676-45567-00-11	GRUESO	SHIM (t:1.1mm)	SPESSORE
		676-45567-00-12	GRUESO	SHIM (t:1.2mm)	SPESSORE
45	REC93332-000U0	93332-000U0	COJINETE	BEARING	CUSCINETTO
46	REC6F6-45611-00	6F6-45611-00	EJE PROPULSOR	SHAFT PROPELLER	ASSE GIRANTE
47	REC676-45635-00	676-45635-00	ÉMBOLO DE CAMBIO	PLUNGER SHIFT	CAMBIO PISTONE
48	REC663-45634-00	663-45634-00	DESIZADOR, CAMBIO	SLIDE SHIFT	SCORREVOLE
49	REC663-45631-00	663-45631-01	EMBRAGUE DE GARRA	CLUTCH DOG	GIUNTO A DENTI FRONTALI
50	REC90250-06023	90250-06023	PASADOR CILÍNDRICO	PIN, STRAIGHT	SPINOTTO
51	REC663-45633-00	663-45633-00	ANILLO DE PASADOR	RING, CROSS PIN	O-RING
52		90501-16M01	RESORTE DE COMPRESIÓN	SPRING	MOLLA
53		90201-20MA8	ARANDELA PLANA	WASHER	RONDELLA
54	REC6F5-45570-00	6F5-45570-00	ENGRANAJE COMPLE 2.	GEAR	INGRANAGGIO
55		676-45577-00-18	GRUESO	SHIM (t:1.8mm)	SPESSORE
		676-45577-00-19	GRUESO	SHIM (t:1.9mm)	SPESSORE
		676-45577-00-20	GRUESO	SHIM (t:2.0mm)	SPESSORE
		676-45577-00-21	GRUESO	SHIM (t:2.1mm)	SPESSORE
		676-45577-00-22	GRUESO	SHIM (t:2.2mm)	SPESSORE
		676-45577-00-23	GRUESO	SHIM (t:2.3mm)	SPESSORE
		676-45577-00-24	GRUESO	SHIM (t:2.4mm)	SPESSORE
		676-45577-00-25	GRUESO	SHIM (t:2.5mm)	SPESSORE
56	REC676-45361-00	676-45361-01-94	FUNDA INFERIOR	CAP LOWER CASING	COPERCHIO INFERIORE
57	REC93306-204Y7	93306-20401	COJINETE (B6204)	BEARING	CUSCINETTO
58	REC93101-20048	93101-20048	SELLO ACEITE	OIL SEAL	PARAOILIO
59		93210-57M00	ARO TORICO	O-RING	O-RING
60		676-44150-00	CONJUNTO EJE LEVA COMPL.	SHIFT	ALBERO COMPLETO
		676-44150-10	CONJUNTO EJE LEVA COMPL.	SHIFT	ALBERO COMPLETO
		676-44150-20	CONJUNTO EJE LEVA COMPL.	SHIFT	ALBERO COMPLETO
61		650-45321-00	PLACA	PLATE	PIASTRA
62		97095-06010	PERNO	BOLT	VITE
63	REC650-44147-00	650-44147-00	HULE DE VARILLA	BOOT, SHIFT ROD	AVVIO, BARRA DI SPOSTAMENTO

Ref.	R.O.
REC663-W0078-01	663-W0078-01, 696-W0078-00

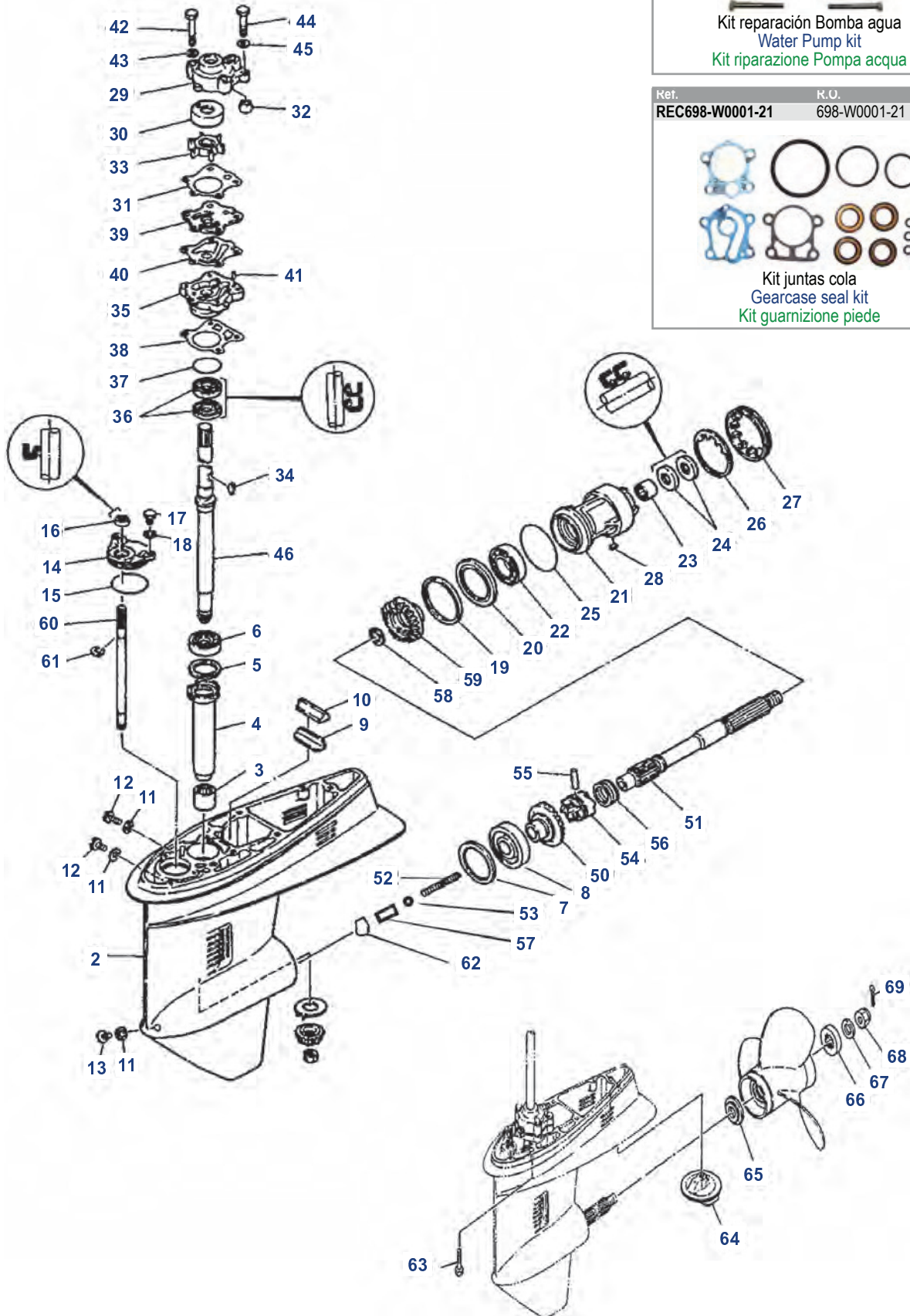


Kit reparación Bomba agua
Water Pump kit
Kit riparazione Pompa acqua

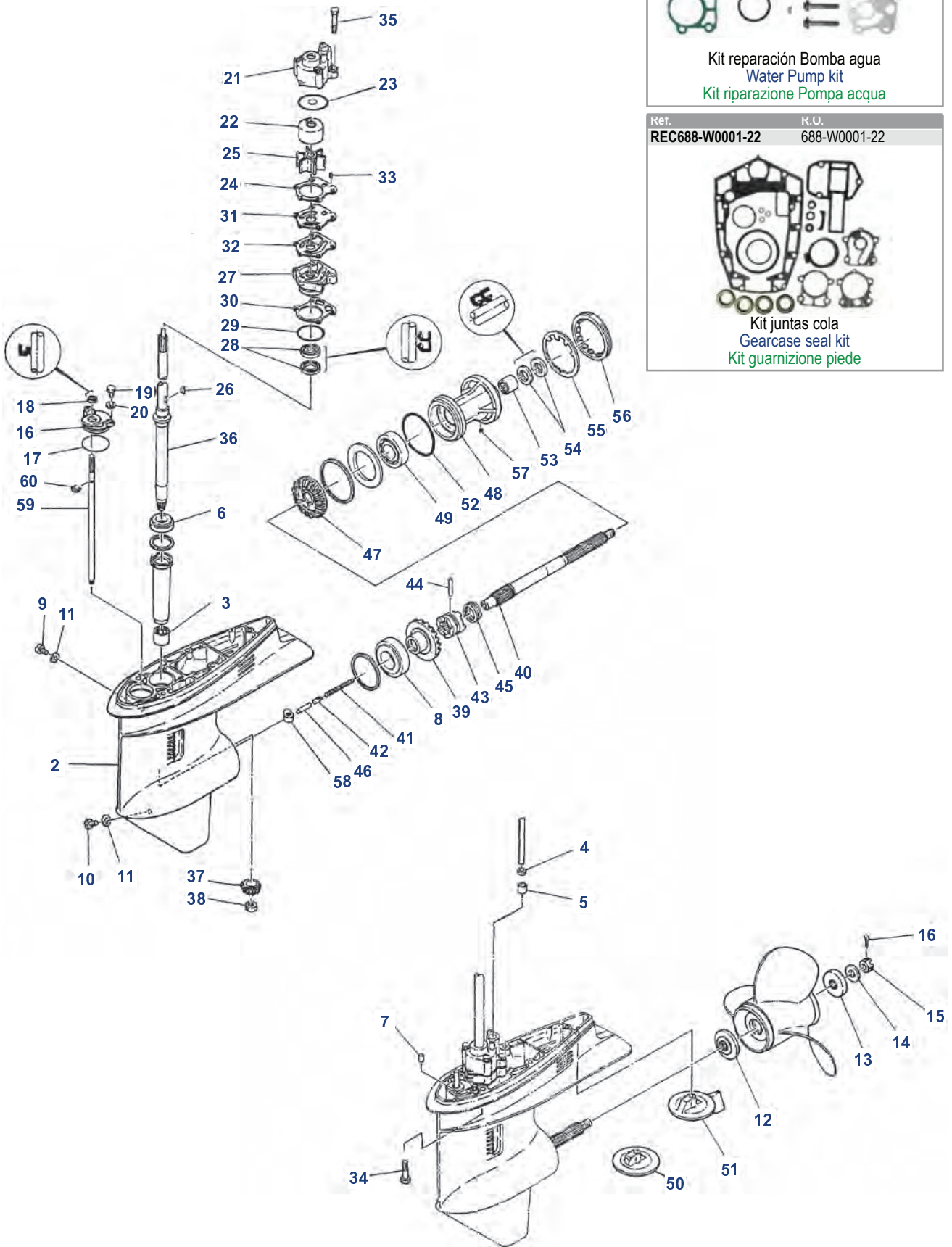
Ref.	R.O.
REC698-W0001-21	698-W0001-21



Kit juntas cola
Gearcase seal kit
Kit guarnizione piede



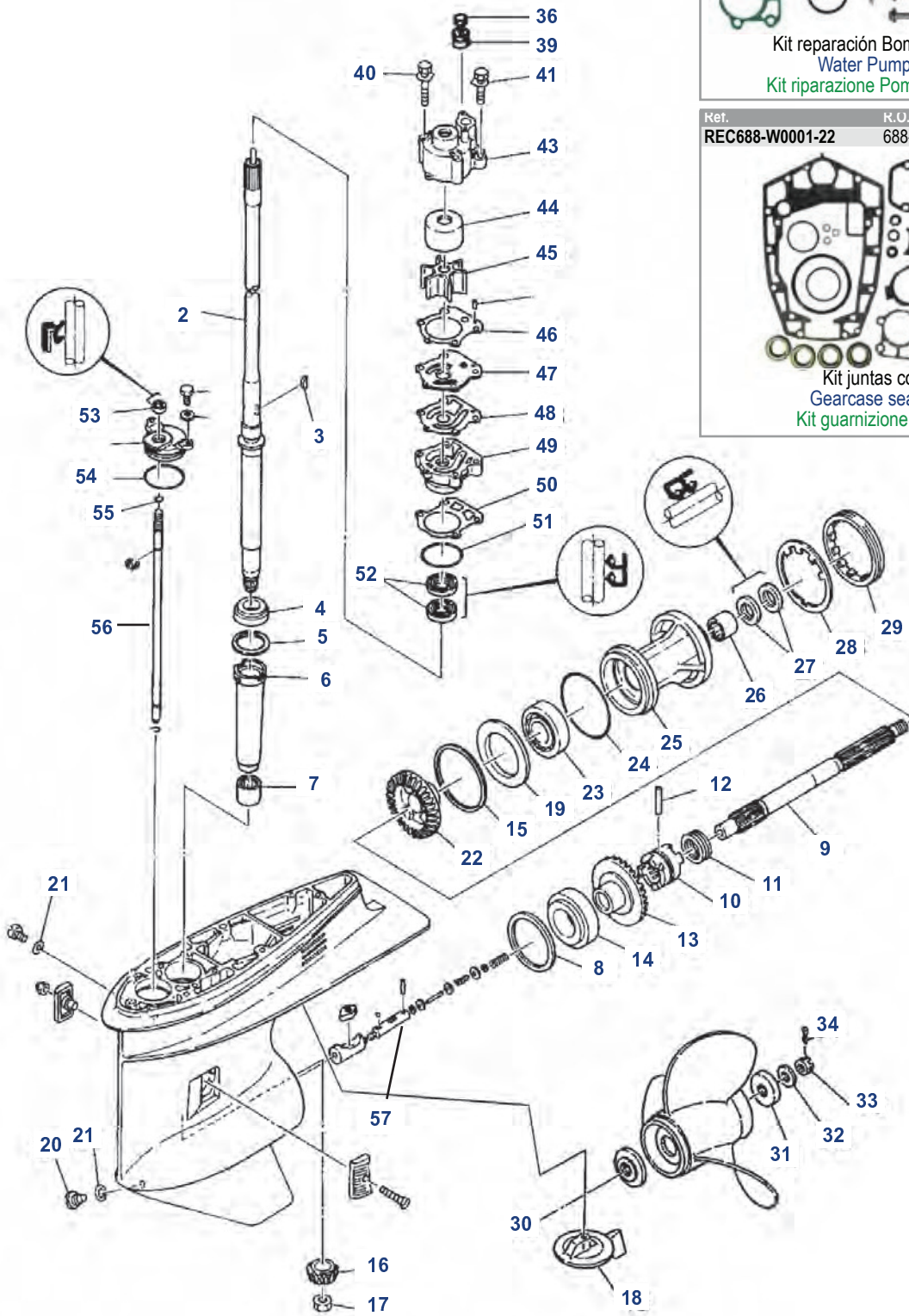
Nº	Ref.	R.O. / OEM	Descripción	Description	Descrizione
1		697-45300-01-4D	CONJUNTO UNIDAD	LOWER UNIT ASSY	PIEDE COMPLETO
2		697-45311-02-4D	FUNDA INTERIOR	CASING LOWER	COPERCHIO INFERIORE
3	REC93315-32224	93315-32224	COJINETE DE RODILLOS	BEARING	CUSCINETTO
4		663-45536-00	CAMISA EJE	SLEEVE, DRIVE SHAFT	CAMICIA ASSE
5		663-45587-01-10	GRUESO	SHIM	SPESSORE
6	REC93332-00001	93332-00001	COJINETE	BEARING	CUSCINETTO
7		663-45567-01-10	LAINA	SHIM (t:0.10mm)	SPESSORE
8	REC93332-00003	93332-00003	COJINETE	BEARING	CUSCINETTO
9		663-45376-00-94	SELLO GOMA	GUIDE, SEAL DAMPER	GUIDA, BOCCOLA
10		663-45375-00	GOMA DE SELLO	DAMPER, SEAL	BOCCOLA GOMMA
11	REC90430-08020	90430-08020	JUNTA	GASKET	GUARNIZIONE
12	REC90340-08002	90340-08002	TORNILLO	STRAIGHT SCREW	VITE
13	REC688-45341-00	688-45341-10	TAPÓN, DREN	PLUG, DRAIN	TAPPO
14		663-45321-00	PLACA	PLATE	PIASTRA
15	REC93210-49046	93210-49046	ANILLO O	O-RING	O-RING
16	REC93106-09014	93106-09014	RETÉN DE ACEITE	OIL SEAL	PARAOLIO
17		97095-06016	PERNO	BOLT	VITE
18		92995-06600	ARANDELA	WASHER	RONDELLA
19		663-45577-01-10	LAINA	SHIM	SPESSORE
20		663-45576-00	ARANDELA DE EMPUJE	WASHER, THURST	RONDELLA
21	REC663-45331-00-94	663-45331-00-94	CAJA DE COJINETE	HOUSING, BEARING	SEDE CUSCINETTO
22	REC93306-00702	93306-00702	COJINETE	BEARING	CUSCINETTO
23	REC93317-22204	93317-22204	COJINETE	BEARING	CUSCINETTO
24	REC93101-22067	93101-22067	SELLO ACEITE	OIL SEAL	PARAOLIO
25	REC93210-66M98	93210-66M98	ANILLO O	O- RING	O-RING
26	REC90214-48M03	90214-48M03	ARANDELA	WASHER	RONDELLA
27	REC697-45384-00	697-45384-00	TUERCA	NUT	DADO
28	REC90282-04010	90282-04010	CHAVETA	KEY, STRAIGHT	CHIAVETTA
29	REC663-44311-02	663-44311-02	CAJA BOMBA	HOUSING, WATER PUMP	CORPO POMPA
30	REC663-44322-00	663-44322-00	CARTUCHO	INSERT CARTRIDGE	CARTUCCIA
31	REC663-44315-00	663-44315-A0	EMPAQUE	GASKET, WATER PUMP	GUARNIZIONE
32	REC663-44366-00	663-44366-00	GOMA SELLO	DAMPER, WATER SEAL	BOCCOLA GOMMA
33	REC6H3-44352-00	697-44352-00	IMPULSOR	IMPELLER	GIRANTE
34	REC90280-03M03	90280-03M03	CUNA WOODRUFF	KEY, WOODRUFF	CHIAVE WOODRUFF
35	REC663-44311-02	663-44341-00	CAJA BOMBA	HOUSING, WATER PUMP	CORPO POMPA
36	REC93101-23070	93101-23070	SELLO ACEITE	OIL SEAL	PARAOLIO
37	REC93210-41042	93210-41042	ANILLO O	O-RING	O-RING
38	REC663-44316-A0	663-44316-A0	EMPAQUE	GASKET, WATER PUMP	GUARNIZIONE
39	REC663-44323-00	663-44323-00	PLACA EXTERIOR	OUTTER PLATE	PIASTRA EXT.
	REC663-44323-0	670-44323-00	PLACA EXTERIOR	OUTTER PLATE	PIASTRA EXT.
40	REC663-44324-00	663-44324-A0	EMPAQUE	GASKET, CARTRIDGE	GUARNIZIONE
41		93604-08062	PASADOR DE CLAVIJA	PIN, DOWEL	SPINOTTO
42	REC97095-08055	97095-08055	PERNO	BOLT	VITE
43	REC92995-08600	92995-08600	ARANDELA	WASHER	RONDELLA
44	REC97095-08045	97095-08045	PERNO	BOLT	VITE
45	REC92995-08600	92995-08600	ARANDELA	WASHER	RONDELLA
46	REC663-45510-01	663-45510-01	EJE DE MANDO	DRIVE SHAFT ASSY	ASSE VERTICALE
47	REC663-45552-00	663-45552-00	COJINETE PLANO	BEARING, PLAIN	CUSCINETTO PIATO
48	REC697-45551-00	697-45551-00	PIÑÓN	PINION	PIGNONE
49	REC90170-12138	90170-12138	TUERCA	NUT	DADO
50	REC697-45560-00	697-45560-00	ENGRANAJE COMPLETO	GEAR	INGRANAGGIO
51	REC697-45611-00	697-45611-00	EJE PROPULSOR	SHAFT PROPELLER	ASSE
52	REC90501-16233	90501-16233	RESORTE DE COMPRESIÓN	SPRING	MOLLA
53	REC663-45634-00	663-45634-00	DESLIZADOR CAMBIO	SLIDE, SHIFT	SCORREVOLE
54	REC663-45631-00	663-45631-01	EMBRAGUE DE GARRA	CLUTCH, DOG	GIUNTO A DENTI FRONTALE
55	REC90250-06023	90250-06023	PASADOR CILÍNDRICO	PIN, STRAIGHT	SPINOTTO
56	REC663-45633-00	663-45633-00	ANILLO DE PASADOR	RING, CROSS PIN	O-RING
57	REC688-45635-00	688-45635-00	PLUNGER, SHIFT	ÉMBOLO DE CAMBIO	CAMBIO PISTONE
58	REC90201-22429	90201-22429	ARANDELA PLANA	WASHER, PLATE	RONDELLA
59	REC697-45570-00	697-45571-00	ENGRANAJE	GEAR	INGRANAGGIO
60	REC663-44144-01	663-44144-01	VARILLA DE CAMBIO	ROD, SHIFT	ASTICELLA
61		99001-08600	PRESILLA REDONDA	CIRCLIP	CIRCLIP
62	REC663-44151-00	663-44151-00	LEVA DE CAMBIO	CAM SHIFT	ALBERO
63	REC97075-10040	97075-10040	PERNO	BOLT	PERNO
64	TEN01101	679-45371-00	QUILLA ESTABILIZADOR	TAB-TRIM	TAB-TRIM
65	REC663-45987-00	663-45987-02	ESPACIADOR	SPACER	DISTANZIALE
66	REC670-45997-00	670-45997-02	ESPACIADOR	SPACER	DISTANZIALE
67	REC92990-16200	92990-16200	ARANDELA PLANA	WASHER, PLAIN	RONDELLA
68	REC90171-16011	90171-16011	TUERCA ENTALLADA	NUT, CASTLE	DADO
69	REC91490-40025	91490-40025	CHAVETA	PIN, COTTER	CHIAVETTA



Ref.	R.O.
REC692-W0078-02	692-W0078-02
	
Kit reparación Bomba agua Water Pump kit Kit riparazione Pompa acqua	

Ref.	R.O.
REC688-W0001-22	688-W0001-22
	
Kit juntas cola Gearcase seal kit Kit guarnizione piede	

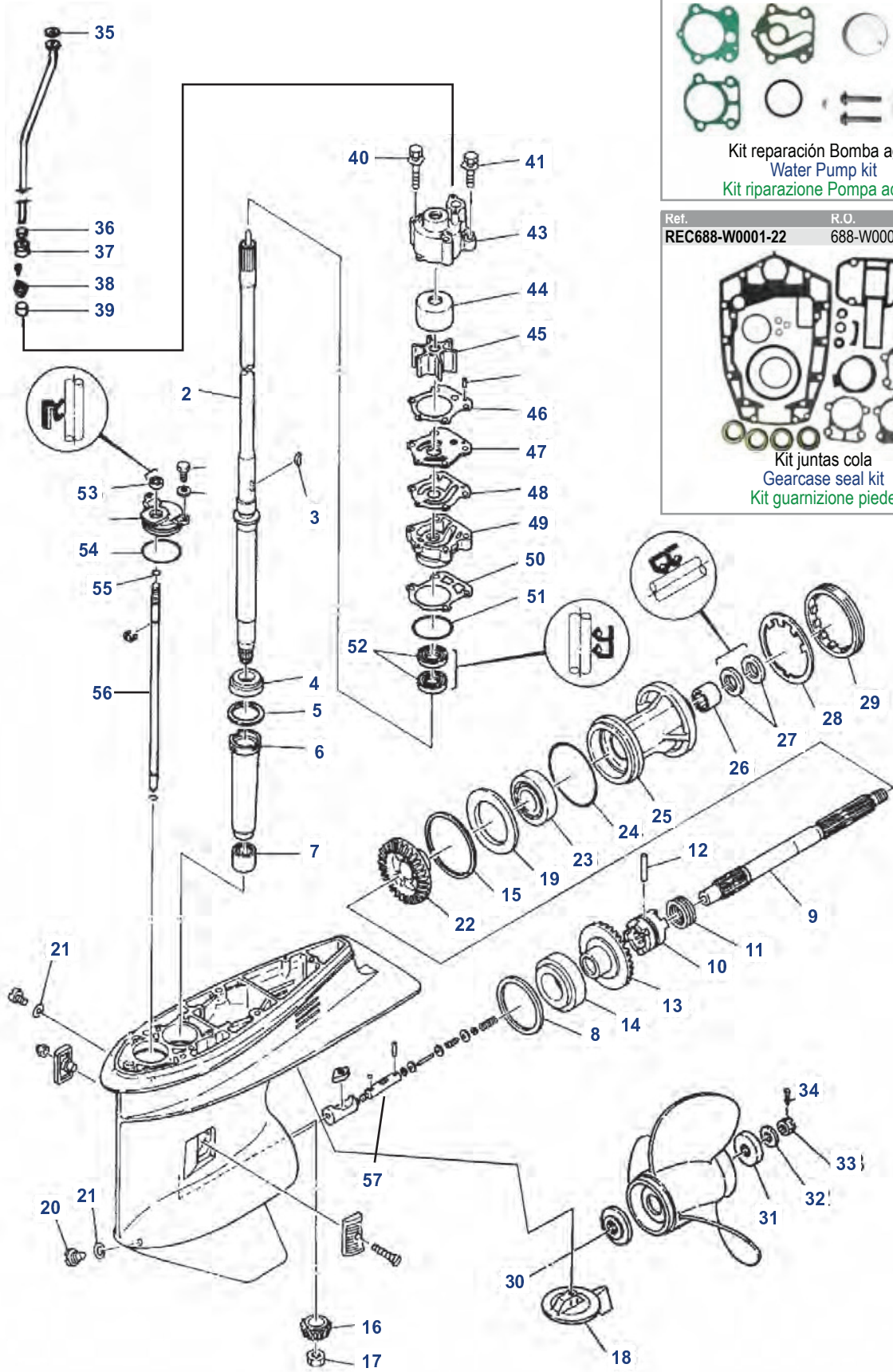
Nº	Ref.	R.O. / OEM	Descripción	Description	Descrizione
1		692-45300-14-4D	COLA COMPLETA	LOWER UNIT ASSY	PIEDE COMPLETO
		692-45300-24-4D	COLA COMPLETA	LOWER UNIT ASSY	PIEDE COMPLETO
2		688-45311-06-4D	CARTER	CASING, LOWER	CARTER
3	REC93315-325V1	93315-325V1	RODAMIENTO	BEARING	CUSCINETTO
4	REC90430-12072	90430-12072	JUNTA	GASKET	GUARNIZIONE
5	REC663-44366-00	663-44366-00	CASQUILLO GOMA	DAMPER, WATER SEAL	BOCCOLA GOMMA
6	REC93332-000U3	93332-000U3	RODAMIENTO	BEARING	CUSCINETTO
7	PAF15-00000006	93606-12019	PASADOR	PIN, DOWEL	SPINOTTO
8	REC93332-000W7	93332-000W7	RODAMIENTO	BEARING	CUSCINETTO
9	REC 90340-08002	90340-08002	TAPÓN	PLUG STRAIGHT SCREW	TAPPO
10	REC688-45341-00	688-45341-10	TAPÓN	PLUG DRAIN	TAPPO
11	REC90430-08020	90430-08020	JUNTA	GASKET	GUARNIZIONE
12	REC688-45987-00	688-45987-01	SEPARADOR	SPACER	DISTANZIALE
13	REC67F-45997-00	67F-45997-00	SEPARADOR	SPACER	DISTANZIALE
14	REC90389-25M00	90389-25M00	CASQUILLO	BUSH	BOCCOLA
15	REC90171-16011	90171-16011	TUERCA	NUT, CASTLE	DADO
16	REC91490-40025	91490-40025	PASADOR ALETAS	PIN, COTTER	SPINOTTO
17	REC93210-49046	93210-49046	ARO TÓRICO	O-RING	O-RING
18	REC93106-09014	93106-09014	RETÉN	OIL SEAL	PARAOLIO
19		97095-06016	TORNILLO	BOLT	VITE
20		92995-06600	ARANDELA	WASHER	RONDELLA
21	REC688-44311-01	688-44311-01	CUERPO BOMBA AGUA	HOUSING, WATER PUMP	CORPO POMPA ACQUA
22	REC688-44322-00	688-44322-00	CASQUILLO INOX.	INSERT, CARTRIDGE	BOCCOLA INOX.
		688-44322-41	CASQUILLO INOX.	INSERT, CARTRIDGE	BOCCOLA INOX.
23		688-44321-41	ARANDELA	INNER PLATE, CARTRIDGE	RONDELLA
24	REC688-44315-00	688-44315-A0	JUNTA	GASKET, WATER PUMP	GUARNIZIONE
25	REC688-44352-03	688-44352-03	TURBINA	IMPELLER	GIRANTE
26	REC90280-04M04	90280-04M04	CHAVETA	KEY, WOODRUFF	CHIAVETTA
27	REC688-44341-01	688-44341-01-94	TAPA INF. BOMBA AGUA	HOUSING, WATER PUMP	CORPO INF. POMPA ACQUA
28	REC93101-25M03	93101-25M03	RETÉN	OIL SEAL	PARAOLIO
29	REC93210-46044	93210-46044	ARO TÓRICO	O-RING	O-RING
30	REC688-44316-00	688-44316-A0	JUNTA	GASKET WATER PUMP	GUARNIZIONE
	REC688-44323-00	688-44323-00	PLATO	OUTTER PLATE, CARTRIDGE	PIASTRA
31		688-44323-40	PLATO	OUTTER PLATE, CARTRIDGE	PIASTRA
32	REC688-44324-00	688-44324-A0	JUNTA	GASKET, CARTRIDGE	GUARNIZIONE
33	PAF25-04000007	93604-10M03	CENTRADOR	PIN, DOWEL	SPINOTTO
34	REC97075-10040	97075-10040	TORNILLO	BOLT WITH WASHER	VITE
35	REC90119-08M13	90119-08M13	TORNILLO	BOLT WITH WASHER	VITE
	REC688-45501-11	688-45501-11	EJE VERTICAL	DRIVE SHAFT COMP.	ASSE VERTICALE
36		688-45501-22	EJE VERTICAL	DRIVE SHAFT COMP.	ASSE VERTICALE
37	REC688-45551-00	688-45551-01	ENGRANAJE	PINION	PIGNONE
38	REC90170-16M01	90170-16M01	TUERCA	NUT	DADO
39	REC688-45560-00	688-45560-00	ENGRANAJE	PINION	PIGNONE
40	REC688-45611-00	688-45611-00	EJE HÉLICE	SHAFT, PROPELLER	ASSE ELICA
41	REC90501-16233	90501-16233	MUELLE	SPRING, COMPRESSION	MOLLA
42	REC688-45634-00	688-45634-00	EMPUJADOR	SLIDE, SHIFT	SCORREVOLE
43	REC688-45631-00	688-45631-01	DESPLAZABLE	CLUTCH, DOG	GIUNTO A DENTI FRONTALE
44	REC90250-07M02	90250-07M02	PASADOR	PIN, STRAIGHT	SPINOTTO
45	REC688-45633-00	688-45633-00	ARO METÁLICO	RING, CROSS PIN	O-RING
46	REC688-45635-00	688-45635-00	BULÓN	PLUNGER, SHIFT	BULLONE
47	REC688-45570-00	688-45571-01	ENGRANAJE	PINION	PIGNONE
48	REC688-45331-00-94	688-45331-00-94	DIÁBOLO	HOUSING, BEARING	COP. CASSA INGRANAGGI
49	REC93306-207U0	93306-207U0	RODAMIENTO	BEARING	CUSCINETTO
50	TEN01153	6E5-45371-10	ÁNODO TIMONCETE HÉLICE INOX.	TAB-TRIM	ANODO
51	CM688-45371-02	688-45371-02	ÁNODO TIMONCETE STD.	TAB-TRIM	ANODO
52	REC93210-85M97	93210-85M97	ARO TÓRICO	O-RING	O-RING
53	REC93317-325U0	93317-325U0	RODAMIENTO	BEARING	CUSCINETTO
54	REC93101-25M03	93101-25M03	RETÉN	OIL SEAL	PARAOLIO
55	REC688-45383-01	688-45383-02	ARANDELA CIERRE	WASHER, CLAW	RONDELLA CHIUSURA
56	REC688-45384-00	688-45384-00	TUERCA	NUT	DADO
57	REC90282-04010	90282-04010	CHAVETA	KEY, STRAIGHT	CHIAVETTA
58	REC663-44151-00	663-44151-00	LEVA	CAM, SHIFT	LEVA
59	REC663-44144-01	663-44144-01	EJE SELECTOR	ROD, SHIFT	ASSE SELETTORE
60	REC99001-08600-00	99001-08600	CERCLIP	CIRCLIP	CIRCLIP



Ref.	R.O.
REC692-W0078-02	692-W0078-(00/01)-00
Kit reparación Bomba agua Water Pump kit Kit riparazione Pompa acqua	

Ref.	R.O.
REC688-W0001-22	688-W0001-20-00
Kit juntas cola Gearcase seal kit Kit guarnizione piede	

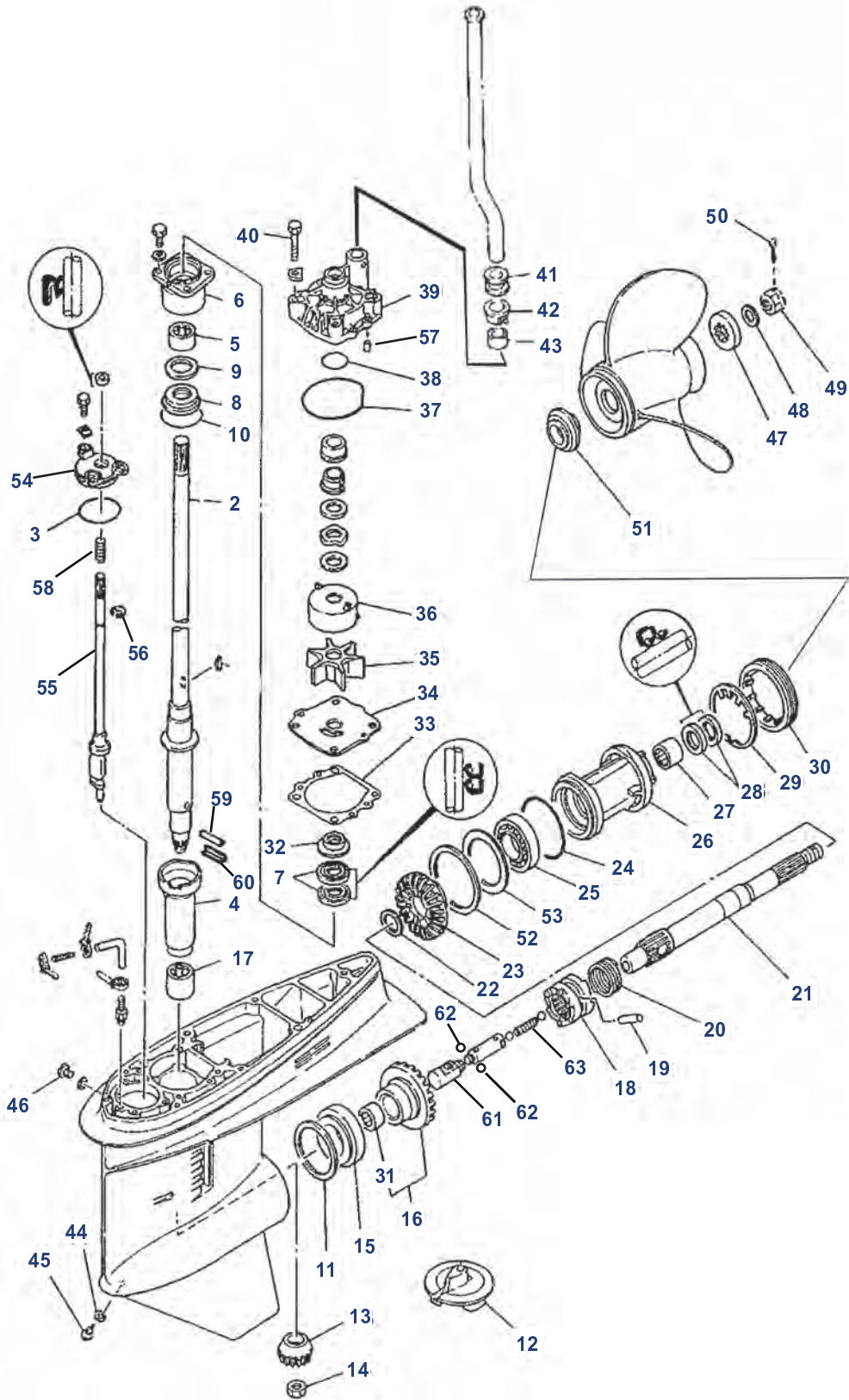
Nº	Ref.	R.O. / OEM	Descripción	Description	Descrizione
1		6H1-45301-04-EK	CARCASA	GEARCASE	CARCASA
2		6H1-45501-11-00	EJE	SHAFT	ASSE
3	REC90280-04M04	90280-04M04-00	CHAVETA	KEY	CHIAVETTA
4	REC93332-000U3	93332-000U3-00	RODAMIENTO	BEARING	CUSCINETTO
6		688-45536-01-00	CAMISA	SLEEVE	CAMICIA
7	REC93315-325V1	93315-325V1-00	RODAMIENTO	BEARING	CUSCINETTO
9	REC6H1-45611-00	6H1-45611-01-00	EJE HÉLICE	PROPELLER SHAFT	ASSE ELICA
10	REC6H1-45631-01	6H1-45631-01-00	SELECTOR	CLUTCH	SELETTORE
11	REC688-45633-00	688-45633-00-00	MUELLE	SPRING	MOLLA
12	REC90250-07M02	90250-07M02-00	PASADOR	PIN	SPINOTTO
13	REC688-45560-00	688-45560-00-00	ENGRANAJE	GEAR	INGRANAGGIO
14	REC93332-000W7	93332-000W7-00	RODAMIENTO	BEARING	CUSCINETTO
16	REC688-45551-00	688-45551-01-00	PIÑÓN	GEAR	PIGNONE
17	REC90170-16M01	90170-16M01-00	TUERCA	NUT	DADO
18	CM688-45371-02	688-45371-02-00	ÁNODO	ANODE	ANODO
19		688-45576-00-00	ARANDELA	WASHER	RONDELLA
20	REC688-45341-00	688-45341-00-00	TAPÓN	PLUG	TAPPO
21	REC90430-08020	90430-08020-00	JUNTA	GASKET	GUARNIZIONE
22		6H1-45571-00-00	PIÑÓN MARCHA ATRÁS	GEAR R.V.	PIGNONE MARCIA IND.
23	REC93306-207U0	93306-207U0-00	RODAMIENTO	BEARING	CUSCINETTO
24	REC93210-85M97	93210-85M97-00	ARO TÓRICO	O-RING	O-RING
25	REC688-45331-00-94	688-45331-00-94	RODAMIENTO	BEARING	CUSCINETTO
26	REC93317-325U0	93317-325U0-00	RODAMIENTO	BEARING	CUSCINETTO
27	REC93101-25M03	93101-25M03-00	RETÉN	OIL SEAL	PARAOLIO
28	REC688-45383-01	688-45383-02-00	ARANDELA	WASHER	RONDELLA
29	REC688-45384-00	688-45384-00-00	TUERCA	NUT	DADO
30	REC688-45987-00	688-45987-01-00	ESPACIADOR	SPACER	DISTANZIALE
31	REC688-45997-00	688-45997-01-00	ESPACIADOR	SPACER	DISTANZIALE
32	REC90201-17M00	90201-17M00-00	ARANDELA	WASHER	RONDELLA
33	REC90171-16011	90171-16011-00	TUERCA	NUT	DADO
34	REC91490-40030	91490-40030-00	PASADOR	PIN	SPINOTTO
35		90202-12060-00	ARANDELA	WASHER	RONDELLA
36	REC90430-12072	90430-12072-00	JUNTA	GASKET	GUARNIZIONE
37		663-44367-00-00	CASQUILLO	DAMPER	BOCCOLA
38		90480-19M06-00	RETÉN	SEAL	PARAOLIO
39	REC663-44366-00	663-44366-00	RETÉN	SEAL	PARAOLIO
40	REC97395-08070	97395-08070-00	TORNILLO	BOLT	VITE
41		97395-08050-00	TORNILLO	BOLT	VITE
42		90209-08M02-00	ARANDELA	WASHER	RONDELLA
43	REC688-44311-01	688-44311-01-00	CUERPO BOMBA AGUA	HOUSING	CORPO POMA ACQUA
44	REC688-44322-00	688-44322-00-00	ACOPLAMIENTO INOX.	INSERT	BOCCOLA INOX.
45	REC688-44352-03	688-44352-03-00	TURBINA	IMPELLER	GIRANTE
46	REC688-44315-00	688-44315-A0-00	JUNTA	GASKET	GUARNIZIONE
47	REC688-44323-00	688-44323-00-00	PLATO	PLATE	PIASTRA
48	REC688-44324-00	688-44324-A0-00	JUNTA	GASKET	GUARNIZIONE
49	REC688-44341-01	688-44341-01-94	BASE, BOMBA AGUA	HOUSING WATER PUMP	BASE POMPA ACQUA
50	REC688-44316-00	688-44316-A0-00	JUNTA, BASE	GASKET	GUARNIZIONE
51	REC93210-46044	93210-46044-00	ANILLO, BASE	O-RING	O-RING
52	REC93101-25M03	93101-25M03-00	RETÉN	OIL SEAL	PARAOLIO
53	REC93106-09014	93106-09014-00	RETÉN	OIL SEAL	PARAOLIO
54	REC93210-49046	93210-49046-00	ANILLO	O-RING	O-RING
55		93210-07540-00	ANILLO	O-RING	O-RING
56	REC6H1-44144-00	6H1-44144-00	VARILLA CAMBIO	SHIFT ROD	ASSE SELETTORE
57	REC6H1-45634-02	6H1-45634-02	DESPLAZABLE	SLIDE, SHIFT	SCORREVOLE



Ref.	R.O.
REC692-W0078-02	692-W0078-(00/01)-00
Kit reparación Bomba agua Water Pump kit Kit riparazione Pompa acqua	

Ref.	R.O.
REC688-W0001-22	688-W0001-20-00
Kit juntas cola Gearcase seal kit Kit guarnizione piede	

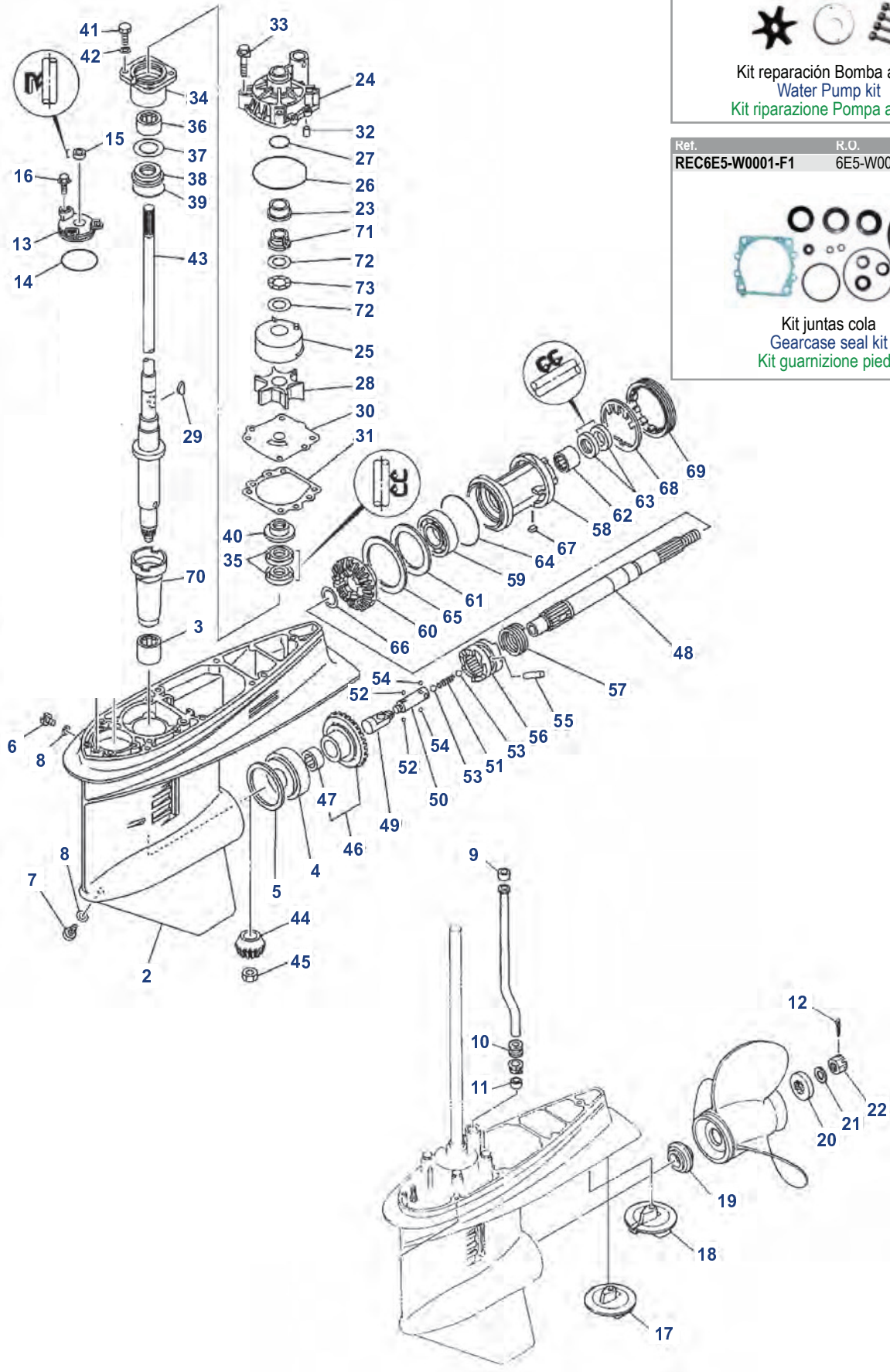
Nº	Ref.	R.O. / OEM	Descripción	Description	Descrizione
1		6H1-45301-04-EK	CARCASA	GEAR CASE	CARCASSA
2		6H1-45501-11-00	EJE	SHAFT	ASSE
3	REC90280-04M04	90280-04M04	CHAVETA	KEY	CHIAVETTA
4	REC93332-000U3	93332-000U3	COJINETE	BEARING	CUSCINETTO
6		688-45536-01	CAMISA	SLEEVE	CAMICIA
7	REC93315-325V1	93315-325V1	COJINETE	BEARING	CUSCINETTO
9	REC6H1-45611-00	6H1-45611-01	EJE HÉLICE	PROPELLER SAHFT	ASSE ELICA
10	REC6H1-45631-01	6H1-45631-01	SELECTOR	CLUTCH	SELETTORE
11	REC688-45633-00	688-45633-00	MUELLES	SPRING	MOLLA
12	REC90250-07M02	90250-07M02	PASADOR	PIN	SPINOTTO
13	REC688-45560-00	688-45560-00	PIÑÓN	GEAR	PIGNONE
14	REC93332-000W7	93332-000W7	COJINETE	BEARING	CUSCINETTO
16	REC688-45551-00	688-45551-01	PIÑÓN	GEAR	PIGNONE
17	REC90170-16M01	90170-16M01	TUERCA	NUT	DADO
18	CM688-45371-02	688-45371-02	ÁNODO	ANODE	ANODO
21	REC90430-08020	90430-08020	JUNTA	GASKET	GUARNIZIONE
22		6H1-45571-00	PIÑÓN M.A.	GEAR R.V.	PIGNONE MARCIA IND.
23	REC93306-207U0	93306-207U0	COJINETE	BEARING	CUSCINETTO
24	REC93210-85M97	93210-85M97	ARO	O-RING	O-RING
25	REC688-45331-00-94	688-45331-00-94	COJINETE	BEARING	CUSCINETTO
26	REC93317-325U0	93317-325U0	COJINETE AGUJA	BEARING	CUSCINETTO
27	REC93101-25M03	93101-25M03	RETÉN ACEITE	OIL SEAL	PARAOLIO
28	REC688-45383-01	688-45383-02	ARANDELA	WASHER	RONDELLA
29	REC688-45384-00	688-45384-00	TUERCA TAPA	NUT	DADO
30	REC688-45987-00	688-45987-01	ESPACIADOR	SPACER	DESPAZIALE
31	REC688-45997-00	688-45997-01	ESPACIADOR	SPACER	DESPAZIALE
32	REC90201-17M00	90201-17M00	ARANDELA	WASHER	RONDELLA
33	REC90171-16011	90171-16011	TUERCA	NUT	DADO
34	REC91490-40030	91490-40030	PASADOR	PIN	SPINOTTO
35		90202-12060	ARANDELA	WASHER	RONDELLA
36	REC90430-12072	90430-12072	JUNTA	GASKET	GUARNIZIONE
37		663-44367-00	FLECTOR	DAMPER	AMMORTIZZATORE
38		90480-19M06	GRUESO	SEAL	SPESSORE
39	REC663-44366-00	663-44366-00	FLECTOR RETÉN AGUA	SEAL	TENUTA
40	REC97395-08070	97395-08070	TORNILLO	BOLT	VITE
41		97395-08050	TORNILLO	BOLT	VITE
42		90209-08M02	ARANDELA	WASHER	RONDELLA
43	REC688-44311-01	688-44311-01	CUERPO BOMBA AGUA	HOUSTING	CORPO POMPAACQUA
44	REC688-44322-00	688-44322-00	ACOPLE INOX.	INSERT	ACCOPIAMENTO INOX.
45	REC688-44352-03	688-44352-03	IMPULSOR	IMPELLER	GIRANTE
46	REC688-44315-00	688-44315-A0	JUNTA	GASKET	GUARNIZIONE
47	REC688-44323-00	688-44323-00	TAPA BOMBA	PLATE	PIASTRA
48	REC688-44324-00	688-44324-A0	JUNTA	GASKET	GUARNIZIONE
49	REC688-44341-01	688-44341-01-94	BASE, BOMBA AGUA	HOUSING	BASE POMPAACQUA
50	REC688-44316-00	688-44316-A0	JUNTA, BASE	GASKET	GUARNIZIONE
51	REC93210-46044	93210-46044	ARO, BASE	O-RING	O-RING
52	REC93101-25M03	93101-25M03	RETÉN ACEITE	OIL SEAL	PARAOLIO
53	REC93106-09014	93106-09014	RETÉN ACEITE	OIL SEAL	PARAOLIO
54	REC93210-49046	93210-49046	ARO	O-RING	O-RING
55		93210-07540	ARO	O-RING	O-RING
56	REC6H1-44144-00	6H1-44144-00	VARILLA CAMBIO	SHIFT ROD	ASSE SELETTORE
57	REC6H1-45634-02	6H1-45634-02	DESPLAZABLE	SLIDE SHIFT	SCORREVOLE



Ref.	R.O.
REC6N6-W0078-02	6E5-W0078-01-00
Kit reparación Bomba agua Water Pump kit Kit riparazione Pompa acqua	

Ref.	R.O.
REC6E5-W0001-F1	6E5-W0001-51-00
Kit juntas cola Gearcase seal kit Kit guarnizione piede	

Nº	Ref.	R.O. / OEM	Descripción	Description	Descrizione
1		6E5-45301-03EK	CARCASA	GEAR CASE	CARCASSA
2	REC6E5-45501-01	6E5-45501-01	EJE (LARGO)	SHAFT	ASSE LUNGO
		6E5-45501-21	EJE (X-LARGO)	SHAFT	ASSE X-LUNGO
3	REC93210-58677	93210-58677	ARO	O-RING	O-RING
4	REC6E5-45536-00	6E5-45536-00	CAMISA	SLEEVE	CAMICIA, ASSE
5	REC93315-430V5	93315-430V5	COJINETE	BEARING	CUSCINETTO
6	REC6E5-45331-00-94	6E5-45331-0094	COJINETE	BEARING	CUSCINETTO
7	REC93101-28M16	93101-28M16	RETÉN EJE	OIL SEAL	PARAOLIO
9	REC93341-930U0	93341-930U0	COJINETE	BEARING	CUSCINETTO
10	REC93210-54534	93210-54534	ARO	O-RING	O-RING
12	CM6E5-45371-01	6E5-45371-01	ÁNODO	ANODE	ANODO
13	REC6E5-45551-00	6E5-45551-02	PIÑÓN	GEAR	PIGNONE
14	REC90170-16M01	90170-16M01	TUERCA	NUT	DADO
15	REC93332-000U7	93332-000U7	COJINETE	BEARING	CUSCINETTO
16	REC6E5-45560-00	6E5-45560-01	PIÑÓN	GEAR	PIGNONE
17	REC93315-628U9	93315-628U9	COJINETE	BEARING	CUSCINETTO
18	REC6E5-45631-00	6R5-45631-01	SELECTOR	CLUTCH	SELETORE
19	REC90250-08M07	90250-08M07	PASADOR	PIN	SPINOTTO
20	REC6E5-45633-01	6E5-45633-01	RETENEDOR	SPRING	MOLLA
21	REC6E5-45611-00	6E5-45611-01	EJE HÉLICE	PROPELLER SHAFT	ASSE ELICA
22	REC90201-30M92	90201-30M92	ARANDELA	WASHER	RONDELLA
23	REC6E5-45570-00	6E5-45571-04	PIÑÓN M.A	GEAR R.V.	PIGNONE MARCIA IND.
24	REC93210-86M39	93210-86M39	ARO	O-RING	O-RING
25	REC93306-208U0	93306-208U0	COJINETE, MARCHA ATRÁS	BEARING	CUSCINETTO
26	REC6E5-45331-00-94	6E5-45332-00-94	DIÁBOLO	GEAR HOUSING	COP. CASSA INGRANAGGI
27	REC93315-430U8	93315-430U8	COJINETE AGUJAS	BEARING	CUSCINETTO
28	REC93101-30M17	93101-30M17	RETÉN, EJE HÉLICES	OIL SEAL	PARAOLIO
29	REC688-45383-01	688-45383-02	ARANDELA	WASHER	RONDELLA
30	REC688-45384-00	688-45384-00	TUERCA	NUT	DADO
31	REC93315-425U7	93315-425U7	COJINETE	BEARING	CUSCINETTO
32	REC6E5-45344-00	6E5-45344-00	TAPA RETÉN ACEITE	COVER	COPERCHIO
33	REC6E5-44315-A0	6E5-44315-A0	JUNTA, BOMBA AGUA	GASKET	GUARNIZIONE
34	REC6E5-44323-00-40	6E5-44323-00	TAPA BOMBA AGUA	COVER	COPERCHIO POMPA ACQUA
35	REC6E5-44352-01	6E5-44352-00	IMPULSOR	IMPELLER	GIRANTE
36	REC6E5-44322-00	6E5-44322-00	ACOPLE INOX.	INSERT	ACCOPIAMENTO INOX.
37	REC93210-86M38	93210-86M38	ARO, BOMBA AGUA	O-RING	O-RING
38	REC93210-37M67	93210-37M67	ARO, BOMBA AGUA	O-RING	O-RING
39	REC 6E5-44311-00	6E5-44311-00	CUERPO BOMBA AGUA	HOUSING	CORPO POMPA ACQUA
40	REC97080-08045	97080-08045	TORNILLO	BOLT	VITE
41	REC6E5-44366-00	6E5-44366-00	FLECTOR RETÉN AGUA	DAMPER	AMMORTIZZATORE
42	REC6E5-44312-00	6E5-44312-00	TAPA BOMBA AGUA	COVER	COPERCHIO POMPA ACQUA
43	REC6E5-44365-00	6E5-44365-00	FLECTOR RETÉN AGUA	DAMPER	CURVA
44	REC90430-08020	90430-08020	JUNTA	GASKET	GUARNIZIONE
45	REC688-45341-00	688-45341-00	TAPÓN DRENAJE	PLUG	TAPPO
46	REC90340-08014	90340-08M04	TAPÓN DRENAJE	PLUG	TAPPO
47	REC688-45997-00	688-45997-01	ESPACIADOR	SPACER	DISTANZIALE
48	REC92990-18200	92990-18200	ARANDELA	WASHER	RONDELLA
49	REC90171-18M04	90171-18M04	TUERCA	NUT	DADO
50	REC91490-40030	91490-40030	PASADOR	PIN	SPINOTTO
51	REC6E5-45987-00	6E5-45987-01	ARANDELA	WASHER	RONDELLA
53	REC6E5-45576-00	6E5-45576-00	ARANDELA	WASHER	RONDELLA
54	REC6E5-45321-00	6E5-45321-00	TAPA CAMBIO	PLATE	PIASTRA
55	REC6E5-44150-02	6E5-44150-02	EJE	SHIFT	ASSE
56	REC99001-08600-00	99001-08600	CLIP	CLIP	CLIP
57	REC93606-12019	93606-12019	PASADOR	PIN	SPINOTTO
58	REC90501-11M10-00	90501-11M10	MUELLE	SPRING	MOLLA
59	REC688-45375-00	688-45375-00	SELLO GOMA	RUBBER	GUARNIZIONE
60	REC663-45376-00	663-45376-0094	SELLO GOMA	RUBBER	GUARNIZIONE
61	REC6E5-45641-03	6E5-45641-03	DESLIZADOR	SLIPPER	SCORREVOLE
62	REC93507-32031	93507-32031	BOLA	BALL	BOLLA
63	REC90501-16M37	90501-13M37	MUELLE	SPRING	MOLLA



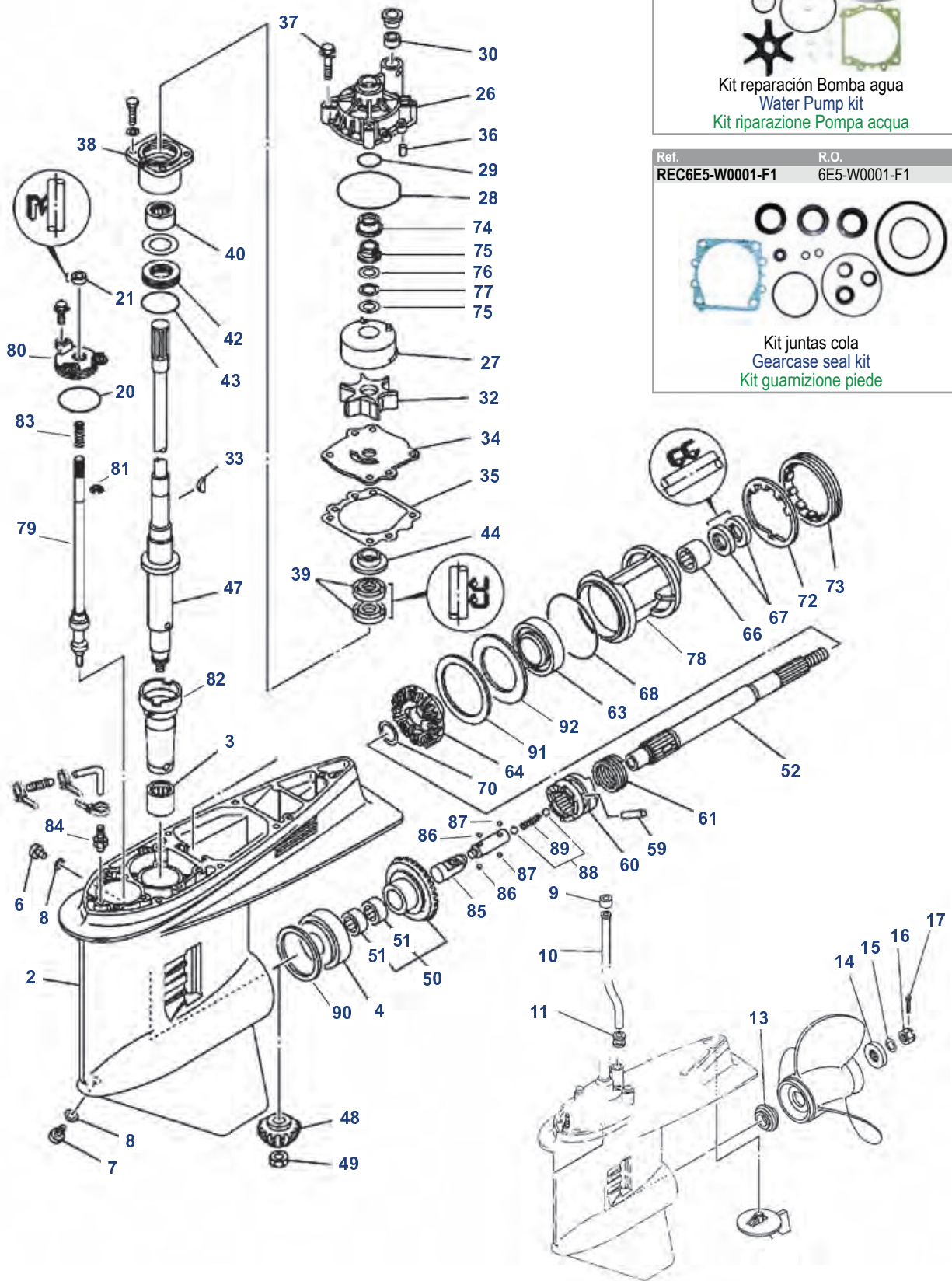
Ref.	R.O.
REC6N6-W0078-02	6N6-W0078-02

Kit reparación Bomba agua
Water Pump kit
Kit riparazione Pompa acqua

Ref.	R.O.
REC6E5-W0001-F1	6E5-W0001-F1

Kit juntas cola
Gearcase seal kit
Kit guarnizione piede

Nº	Ref.	R.O. / OEM	Descripción	Description	Descrizione
1	REC405-A20	6E5-45300-16-8D	COLA COMPLETA	LOWER UNIT ASSY	PIEDE COMPLETO
	REC405-A25	6E5-45300-26-8D	COLA COMPLETA	LOWER UNIT ASSY	PIEDE COMPLETO
2		6E5-45301-04-8D	CARTER	CASING, LOWER	CARTER
3	REC93315-628U9	93315-628U9	RODAMIENTO	BEARING	CUSCINETTO
4	REC93332-000U7	93332-000U7	RODAMIENTO	BEARING	CUSCINETTO
5	REC6E5-45567-01	6E5-45567-01-60	KIT GRUESO	SHIM SET	KIT SPESSORE
6	REC90340-08014	90340-08M04	TAPÓN	PLUG, STRAIGHT SCREW	TAPPO
7	REC688-45341-00	688-45341-00	TAPÓN	PLUG DRAIN	TAPPO
8	REC90430-08020	90430-08020	JUNTA	GASKET	GUARNIZIONE
9	REC6E5-44365-00	6E5-44365-00	CASQUILLO GOMA	DAMPER	BOCCOLA
10	REC6E5-44366-00	6E5-44366-00	CASQUILLO GOMA	DAMPER	BOCCOLA
11	REC6E5-44365-00	6E5-44365-00	CASQUILLO GOMA	DAMPER	BOCCOLA
12	REC91490-40030	91490-40030	PASADOR ALETA	PIN, COTTER	SPINOTTO
13	REC6E5-45321-00	6E5-45321-00	PLATO	PLATE	PIASTRA
14	REC93210-58677	93210-58144	ARO TÓRICO	O-RING	O-RING
15	REC93106-09014	93106-09014	RETÉN	OIL SEAL	PARAOLIO
16	REC90119-06M10	90119-06M10	TORNILLO	BOLT WITH WASHER	VITE
17	TEN01153	6E5-45371-10	ZINC HÉLICE INOX	TAB-TRIM	ZINCO ELICA INOX.
18	REC6E5-45371-01	6E5-45371-01	ZINC HÉLICE ALU	TAB-TRIM	ZINCO ELICA ALLU.
19	REC6E5-45987-00	6E5-45987-01	SEPARADOR	SPACER	SPESSORE
20	REC688-45997-00	688-45997-01	SEPARADOR	SPACER	SPESSORE
21	REC92990-18200	92990-18200	ARANDELA	WASHER	RONDELLA
22	REC90171-18M04	90171-18M04	TUERCA HÉLICE	NUT, CASTLE	DADO
23	REC61A-45527-00	61A-45527-00	CASQUILLO	COLLAR, DRIVE SHAFT	BOCCOLA
24	REC61A-44311-00	61A-44311-01	CUERPO BOMBA	HOUSING, WATER PUMP	CORPO POMPA
25	REC61A-44322-02	61A-44322-02	CASQUILLO INOX	INSERT, CARTRIDGE	BOCCOLA INOX.
26	REC93210-86M38	93210-86M38	ARO TÓRICO	O-RING	O-RING
27	REC93210-37160	93210-37160	ARO TÓRICO	O-RING	O-RING
28	REC6E5-44352-01	6E5-44352-01	TURBINA	IMPELLER	GIRANTE
29	REC90280-04M05	90280-04M05	CHAVETA	KEY, WOODRUF	CHIAVETTA
30	REC6E5-44323-00-40	6E5-44323-00	PLATO	OUTTER PLATE, CARTRIDGE	PIASTRA
31	REC6E5-44315-A0	6E5-44315-A0	JUNTA BOMBA	GASKET, WATER PUMP	GUARNIZIONE
32	REC93606-12019	93606-12019	PIN CENTRADOR	PIN DOWEL	SPINOTTO
33	REC90119-08M14	90119-08M14	TORNILLO	BOLT, WITH WASHER	VITE
34	REC6E5-45331-00-94	6E5-45331-00-94	CUERPO RODAMIENTO	HOUSING, BEARING	SEDE CUSCINETTO
35	REC93101-28M16	93101-28M16	RETÉN	OIL SEAL	PARAOLIO
36	REC93317-330U2	93317-330U2	RODAMIENTO	BEARING	CUSCINETTO
37	REC6E5-45587-01	6E5-45587-01	GRUESO	SHIM	SPESSORE
38	REC93341-930V2	93341-930V2	RODAMIENTO	BEARING	CUSCINETTO
39	REC93210-54534	93210-55M14	ARO TÓRICO	O-RING	O-RING
40	REC6E5-45344-00	6E5-45344-00	TAPA RETÉN	COVER, OIL SEAL	COPERCHIO
41		97095-08025	TORNILLO	BOLT	VITE
42	REC92995-08600	92995-08600	ARANDELA	WASHER	RONDELLA
43	REC6E5-45501-01	6E5-45501-01	EJE VERTICAL -CORTO-	DRIVE SHAFT COMP.	ASSE VERTICALE
43		6E5-45501-21	EJE VERTICAL-LARGO-	DRIVE SHAFT COMP.	ASSE VERTICALE
44	REC6E5-45551-00	6E5-45551-02	ENGRANAJE	PINION	PIGNONE
45	REC90170-16M01	90170-16M01	TUERCA	NUT	DADO
46	REC6E5-45560-00	6E5-45560-01	ENGRANAJE	PINION	PIGNONE
47	REC93315-425U7	93315-425U7	RODAMIENTO	BEARING	CUSCINETTO
48	REC6E5-45611-00	6E5-45611-01	EJE HÉLICE	SHAFT, PROPELLER	ASSE ELICA
49	REC6E5-45641-03	6E5-45641-02	BULÓN	SHIFTER	BULLONE
50	REC6E5-45634-01	6E5-45634-01	PASADOR DESPLAZABLE	SLIDE, SHIFT	PASSANTE
51	REC90501-16M37	90501-16M37	MUELLE	SPRING, COMPRESSION	MOLLA
52	REC93507-32031	93507-32031	BOLA	BALL	BOLLA
53	REC93511-32027	93511-32027	BOLA	BALL	BOLLA
54	REC93503-16003	93503-16003	BOLA	BALL	BOLLA
55	REC90250-08M07	90250-08M07	PASADOR	PIN STRAIGHT	SPINOTTO
56	REC6E5-45631-00	6E5-45631-01	DESPLAZABLE	CLUTCH, DOG	SCORREVOLE
57	REC6E5-45633-01	6E5-45633-01	ARILLO METÁLICO	RING, CROSS PIN	O-RING
58	REC6E5-45332-00-94	6E5-45332-00-94	CUERPO COJINETE	HOUSING, BEARING	CUSCINETTO
59	REC93306-208U0	93306-208U0	RODAMIENTO	BEARING	CUSCINETTO
60	REC6E5-45570-00	6E5-45571-01	ENGRANAJE	PINION	PIGNONE
61	REC6E5-45576-00	6E5-45576-00	ARANDELA	WASHER, THURST	RONDELLA
62	REC93315-430U8	93315-430U8	RODAMIENTO	BEARING	CUSCINETTO
63	REC93101-30M17	93101-30M17	RETÉN	OIL SEAL	PARAOLIO
64	REC93210-86M39	93210-86M39	ARO TÓRICO	O-RING	O-RING
65		6L6-45577-00	GRUESO	SHIM	SPESSORE
66	REC90201-30M92	90201-30M92	ARANDELA	WASHER, PLATE	RONDELLA
67	REC90282-04010	90282-04010	CHAVETA	KEY, STRAIGHT	CHIAVETTA
68	REC688-45383-01	688-45383-02	ARANDELA	WASHER, CLAW	RONDELLA
69	REC688-45384-00	688-45384-00	TUERCA	NUT	DADO
70	REC6E5-45536-00	6E5-45536-00	CAMISA	SLEEVE	CAMICIA
71	REC61A-45538-00	61A-45538-00	ESPACIADOR	SPACER	DISTANZIALE
72	REC90201-22M01	90201-22M01	ARANDELA	WASHER	RONDELLA
73	REC90206-22M19	90206-22M19	ARANDELA	WASHER	RONDELLA



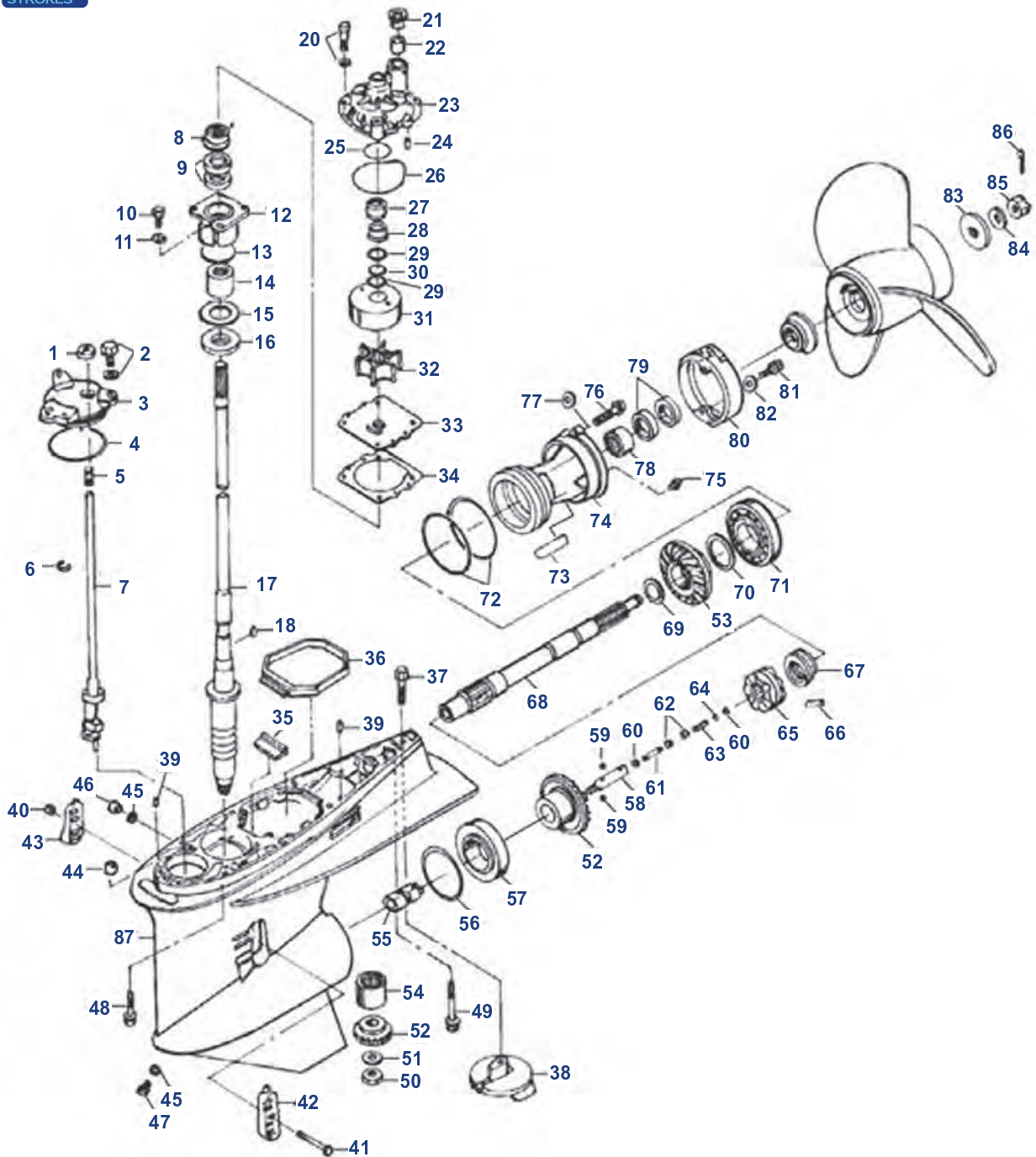
Ref.	R.O.
REC6G5-W0078-A1	6G5-W0078-A1

Kit reparación Bomba agua
Water Pump kit
Kit riparazione Pompa acqua

Ref.	R.O.
REC6E5-W0001-F1	6E5-W0001-F1

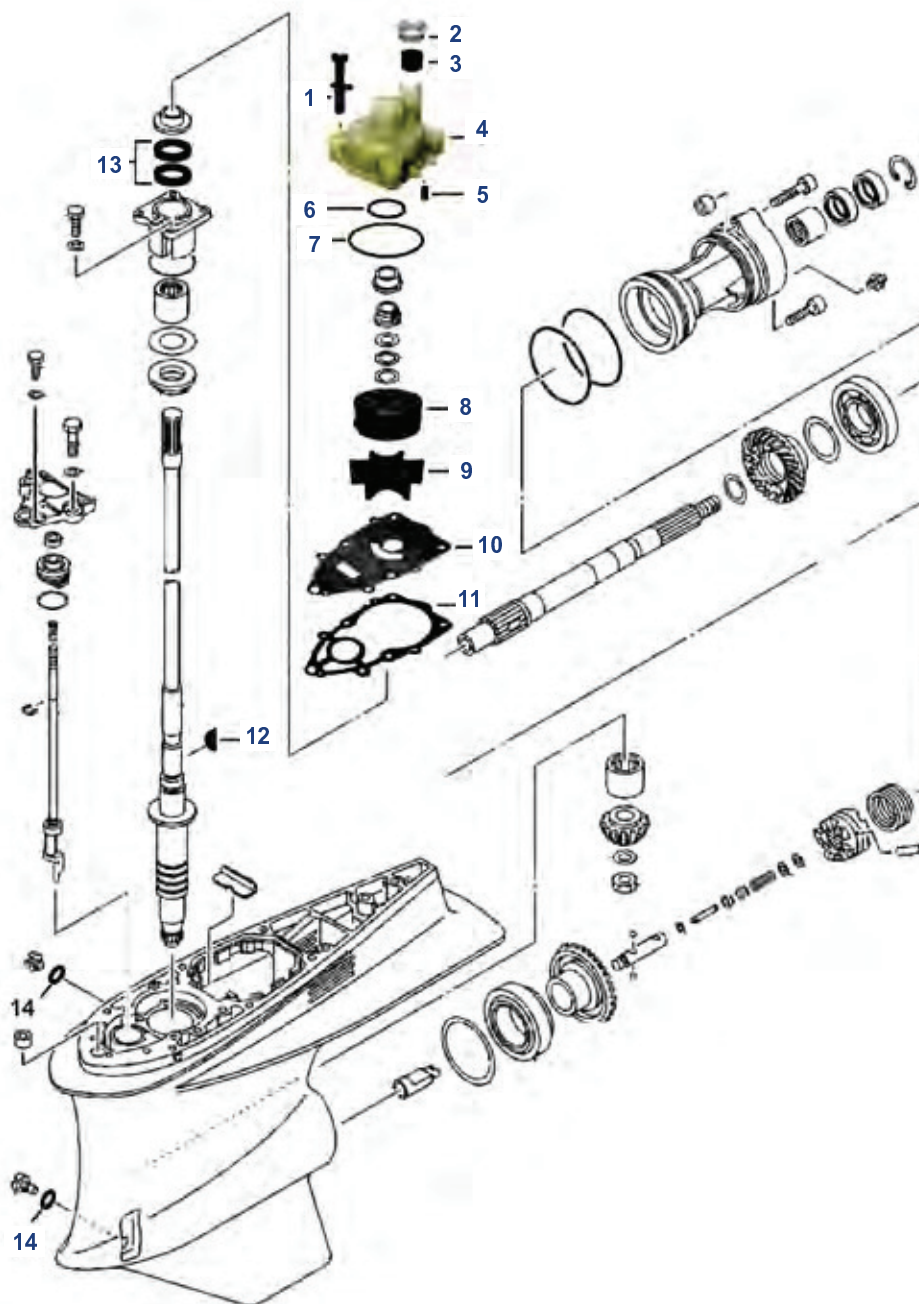
Kit juntas cola
Gearcase seal kit
Kit guarnizione piede

Nº	Ref.	R.O. / OEM	Descripción	Description	Descrizione
1	REC416-A20	64D-45300-02-8D	COLA COMPLETA	LOWER UNIT ASSY 20"	PIEDE COMPLETO
		64E-45300-02-8D	COLA COMPLETA	LOWER UNIT ASSY	PIEDE COMPLETO
	REC416-A25	64D-45300-22-8D	COLA COMPLETA	LOWER UNIT ASSY 25"	PIEDE COMPLETO
		64E-45300-22-8D	COLA COMPLETA	LOWER UNIT ASSY	PIEDE COMPLETO
2		6J9-45301-05-8D	CARTER	CASING, LOWER	CARTER
3	REC93311-928U5	93311-928U5	RODAMIENTO	BEARING	CUSCINETTO
4	REC93332-000V3	93332-000V3	RODAMIENTO	BEARING	CUSCINETTO
6	REC90340-08014	90340-08002	TAPÓN	PLUG, STRAIGHT SCREW	TAPPO
7	REC688-45341-00	688-45341-10	TAPÓN	PLUG, DRAIN	TAPPO
8	REC90430-08020	90430-08020	JUNTA	GASKET	GUARNIZIONE
9	REC6E5-44365-00	6E5-44365-00	SELLO GOMA AGUA	DAMPER, WATER SEAL	BOCCOLA
11	REC6E5-44366-00	6E5-44366-00	SELLO GOMA AGUA	DAMPER, WATER SEAL	BOCCOLA
13	REC6E5-45987-00	6E5-45978-01	ESPACIADOR	SPACER	DISTANZIALE
14	REC688-45997-00	688-45997-01	ESPACIADOR	SPACER	DISTANZIALE
15	REC92990-18200	92990-18200	ARANDELA	WASHER	RONDELLA
16	REC90171-18M04	90171-18M04	TUERCA	NUT, CASTLE	DADO
17	REC91490-40030	91490-40030	PASADOR	PIN, COTTER	SPINOTTO
20	REC93210-58677	93210-58144	ARO TÓRICO	O-RING	O-RING
21	REC93106-09014	93106-09014	RETÉN	OIL SEAL	PARAOLIO
26	REC61A-44311-00	61A-44311-01	CUERPO BOMBA AGUA -ANTIGUA-	HOUSTING, WATER PUMP	CORPO POMPA ACQUA
26	REC6E5-44311-00	6E5-44311-00	CUERPO BOMBA AGUA -MODERNA-	HOUSTING, WATER PUMP	CORPO POMPA ACQUA
27	REC61A-44322-02	61A-44322-02	CASQUILLO INOX. -ANTIGUA-	INSERT, CARTRIDGE	BOCCOLA INOX.
27	REC6E5-44322-00	6E5-44322-00	CASQUILLO INOX. -MODERNA-	INSERT, CARTRIDGE	BOCCOLA INOX.
28	REC93210-86M38	93210-86M38	ARO TÓRICO	O-RING	O-RING
29	REC93210-37160	93210-37160	ARO TÓRICO	O-RING	O-RING
30	REC6E5-44365-00	6E5-44365-00	CASQUILLO GOMA	DAMPER, WATER SEAL	BOCCOLA GOMMA
32	REC6E5-44352-01	6E5-44352-01	TURBINA	IMPELLER	GIRANTE
33	REC90280-04M05	90280-04M05	CHAVETA	KEY, WOODRUFF	CHIAVETTA
34	REC6G5-44323-00	6G5-44323-00	PLATO	OUTER PLATE, CARTRIDGE	PIASTRA
35	REC6E5-44315-A0	6E5-44315-A0	JUNTA	GASKET, WATER PUMP	GUARNIZIONE
36	REC93606-12019	93606-12019	CENTRADOR	PIN, DOWEL	SPINOTTO
37	REC90119-08M14	90119-08M14	TORNILLO	BOLT, WITH WASHER	VITE
38	REC6E5-45331-00-94	6E5-45331-00-94	CUERPO RODAMIENTO	HOUSING, BEARING	SEDE CUSCINETTO
39	REC93101-28M16	93101-28M16	RETÉN	OIL SEAL	PARAOLIO
40	REC93317-330U2	93317-330U2	RODAMIENTO	BEARING	CUSCINETTO
42	REC93341-930V2	93341-930V2	RODAMIENTO	BEARING	CUSCINETTO
43	REC93210-54534	93210-55M14	ARO TÓRICO	O-RING	O-RING
44	REC6E5-45344-00	6E5-45344-00	TAPA RETÉN	COVER, OIL SEAL	COPERCHIO
47	REC6G5-45501-21	6G5-45501-21	EJE	DRIVE SHAFT COMP. 25"	ASSE VERTICALE
48	REC6G5-45551-00	6G5-45551-01	ENGRANAJE	PINION	PIGNONE
49	REC90170-16M01	93170-16M01	TUERCA	NUT	DADO
50	REC6G5-45560-00	6G5-45560-01	ENGRANAJE	GEAR	INGRANAGGIO
51	REC93315-425V3	93315-425V3	RODAMIENTO	BEARING	CUSCINETTO
52	REC6J9-45611-00	6J9-45611-01	EJE HÉLICE	SHAFT, PROPELLER	ASSE ELICA
59	REC90250-08M07	90250-08M07	PASADOR	PIN, STRAIGHT	SPINOTTO
60	REC6G5-45631-00	6G5-45631-00	DESPLAZABLE	CLUTCH, DOG	SCORREVOLE
61	REC6E5-45633-01	6E5-45633-01	ANILLO	RING, CROSS PIN	O-RING
63	REC93306-209U0	93306-209U0	RODAMIENTO	BEARING	CUSCINETTO
64	REC6G5-45571-00	6G5-45571-02	ENGRANAJE	GEAR	INGRANAGGIO
66	REC93315-43061	93315-43061	RODAMIENTO	BEARING	CUSCINETTO
67	REC93101-30M17	93101-30M17	RETÉN	OIL SEAL	PARAOLIO
68	REC93210-97M55	93210-97M55	ARO TÓRICO	O-RING	O-RING
70	REC90201-30M92	90201-30M92	ARANDELA	WASHER, PLATE	RONDELLA
72	REC6G5-45383-01	6G5-45383-01	ARANDELA	WASHER, CLAW	RONDELLA
73	REC6G5-45384-00	6G5-45384-00	TUERCA	NUT	DADO
74	REC61A-45527-00	61A-45527-00	GOMA	COLLAR	GOMMA
75	REC61A-45538-00	61A-45538-00	ESPACIADOR	SPACER	DISTANZIALE
76	REC90201-22M01	90201-22M01	ARANDELA	WASHER	RONDELLA
77	REC90206-22M19	90206-22M19	ARANDELA	WASHER	RONDELLA
78	REC6J9-45332-00-CA	6J9-45332-00-CA	DIÁBOLO	BEARING CARRIER	COP. CASSA INGRANAGGI
79	REC6G5-44150-02	6G5-44150-02	EJE CAMBIO	SHIFT SHAFT	ASSE CAMBIO
80	REC6E5-45321-00	6E5-45321-00	TAPA EJE	SHIFT COVER	COPERCHIO ASSE
81	REC99001-08600-00	99001-08600	CLIP	BEARING	CUSCINETTO
82	REC6G5-45536-01	6G5-45536-01	CAMISA	LUBE SLEEVE	CAMISCIA
83	REC90501-11M10-00	90501-11M10	MUELLE	SPRING	MOLLA
84	REC6E5-45378-00	6E5-45378-00	EJE LEVA	SHIFTER	ASSE ALBERO
85	REC6E5-45641-03	6E5-45641-03	PITOT	PITOT	PITOT
86	REC93507-32031	93507-32031	BOLA	BALL	BOLLA
87	REC93503-16003	93503-16003	BOLA	BALL	BOLLA
88	REC93511-32027	93511-32027	BOLA	BALL	BOLLA
89	REC90501-16M37	90501-16M37	MUELLE	SPRING	MOLLA
90		6G5-45567-01	GRUESO	SHIM	SPESSORE
91		6G5-45577-02	GRUESO	SHIM	SPESSORE
92		6G5-45576-10	GRUESO	SHIM	SPESSORE



Nº	Ref.	R.O. / OEM	Descripción	Description	Descrizione
1	REC93106-09014	93106-09014	RETÉN	SEAL, SHIFT ROD	BOCCOLA
2	REC90119-06M10	90119-06M10	TORNILLO CON ARANDELA	BOLT WITH WASHER	VITE
3	REC61A-45321-01	61A-45321-01	TAPA	SHIFT SHAFT COVER	COPERCHIO ASSE
4		93210-65752	ARO TÓRICO	O-RING	O-RING
5	REC90501-11M10-00	90501-11M10	MUELLE	SPRING	MOLLA
6	REC99001-08600-00	99001-08600	CLIP	CLIP	CLIP
7	REC60V-44150-00	60V-44150-00	EJE	SHIFT SHAFT	ASSE
8	REC6E5-45344-00	6E5-45344-00	RETÉN	COVER, DRIVE SHAFT SEALS	BOCCOLA
9	REC93101-28M16	93101-28M16	RETÉN	DRIVE SHAFT SEAL	BOCCOLA
10		97095-08025	TORNILLO	BOLT	VITE
11		92990-08600	ARANDELA	WASHER	RONDELLA
12	REC61A-45331-00-94	61A-45331-00-94	CUERPO EJE	DRIVE SHAFT BEARING HOUSING	CORPO ASSE
13	REC93210-54534	93210-54534	ARO TÓRICO	O-RING	O-RING
14	REC93317-330U2	93317-330U2	RODAMIENTO	BEARING	CUSCINETTO
15	REC61A-45587-00/60-0	61A-45587-00/60	ESPACIADOR	SHIM KIT	SPESSORE
16	REC93341-93020	93341-93020	GRUESO RODAMIENTO	THRUST BEARING	SPESSORE CUSCINETTO

Nº	Ref.	R.O. / OEM	Descripción	Description	Descrizione
17	REC66K-45501-00	66K-45501-00	EJE	DRIVE SHAFT, 20"	ASSE VERTICALE
17	REC61A-45501-20	61A-45501-20	EJE	DRIVE SHAFT, 25"	ASSE VERTICALE
17	REC61A-45501-30	61A-45501-30	EJE	DRIVE SHAFT, 30"	ASSE VERTICALE
18	REC90280-04M05	90280-04M05	CHAVETA	WOODRUFF KEY	CHIAVETTA
20	REC90119-08M14	90119-08M14	TORNILLO CON ARANDELA	BOLT WITH WASHER	VITE
21	REC6E5-44312-00	6E5-44312-00	TAPA	OVER	TAPPO
22	REC6E5-44365-00	6E5-44365-00	CASQUILLO JUNTA	DAMPER, WATER TUBE	BOCCOLA TUBO
23	REC61A-44311-00	61A-44311-00	CUERPO BOMBA AGUA	WATER PUMP HOUSING	CORPO POMPA ACQUA
24	REC93606-12019	93606-12019	PASADOR CENTRAL	ALIGNMENT PIN	SPINOTTO
25	REC93210-37M67	93210-37M67	ARO TÓRICO	O-RING	O-RING
26	REC93210-86M38	93210-86M38	ARO TÓRICO	O-RING	O-RING
27	REC61A-45527-00	61A-45527-00	COLLAR	COLLAR	COLLAR
28	REC61A-45538-00	61A-45538-00	ESPACIADOR	SPACER	DISTANZIALE
29	REC90201-22M01	90201-22M01	ARANDELA	WASHER	RONDELLA
30	REC90206-22M19	90206-22M19	TÓRICA	WAVE WASHER	GUARNIZIONE
31	REC61A-44322-02	61A-44322-02	CASQUILLO INOX.	WATER PUMP LINER	BOCCOLA
32	REC6E5-44352-01	6E5-44352-01	TURBINA	IMPELLER	GIRANTE
33	REC6G5-44323-00	6G5-44323-00	BASE BOMBA	WEAR PLATE	BASE POMPA
34	REC6E5-44315-A0	6E5-44315-A0	JUNTA BASE	BASE GASKET	GUARNIZIONE
35	REC61A-45376-00-94	61A-45376-00-94	GUÍA	GUIDE	GUIDE
36	REC69J-45375-00	69J-45375-00	JUNTA ESCAPE	EXHAUST DAMPER	GUARNIZIONE1
37		90105-10M00	TORNILLO	BOLT, TRIM TAB	VITE
38	CM61A-45371	61A-45371-00	ÁNODO TIMÓN	TRIM TAB	ANODO
39	REC93608-12M05	93608-12M05	PIN	ALIGNMENT DOWELS	SPINOTTO
40		90185-05904	TUERCA	NUT, WATER SCREEN BOLT	DADO
41		90152-05003	TORNILLO	BOLT, WATER SCREEN	VITE
42	REC61A-45214-10	61A-45214-10	FILTRO TAPA	WATER SCREEN, PORT	COPERCHIO FILTRO
43	REC61A-45215-10	61A-45215-10	FILTRO TAPA	WATER SCREEN, STARBOARD	COPERCHIO FILTRO
44	REC663-44366-00	663-44366-00	PITOT	PITOT SEAL	PITOT
45	REC90430-08020	90430-08020	JUNTA	GASKET, DRAIN PLUG	GUARNIZIONE
46	REC90340-08002	90340-08002	TORNILLO	VENT PLUG	VITE
47		688-45341-10	TORNILLO	DRAIN PLUG	VITE
48		97575-10445	TORNILLO	MOUNTING BOLT	VITE
49		90119-10M89	TORNILLO	MOUNTING BOLT	VITE
50	REC90170-16M19	90170-16M19	PIÑÓN TUERCA	PINION NUT	PIGNONE, DADO
51	REC90201-16M00	90201-16M00	ARANDELA	WASHER	RONDELLA
54	REC93311-83280	93311-83280	PIÑÓN RODAMIENTO	PINION BEARING	PIGNONE
55	REC61A-45641-02	61A-45641-02	DESPLAZABLE	SHIFTER	SCORREVOLE
56		61A-45567-00	ESPACIADOR	SHIM KIT, FWD BEARING	SPESSORE
57	REC93332-000W1	93332-000W1	RODAMIENTO	BEARING, FORWARD GEAR	CUSCINETTO
58	REC61A-45634-01	61A-45634-01	DESPLAZABLE	SHIFT SLIDE	SCORREVOLE
59	REC93501-04011	93501-04011	BOLA	DETENT BALL	BOLLA
60	REC90183-02M03	90183-02M03	MUELLE	SPRING NUT	MOLLA
61	REC6H1-45668-00	6H1-45668-00	EJE	FREE SHAFT	ASSE
62	REC61A-45635-00	61A-45635-00	GRUESO	SHIFT PLUNGER	SPESSORE
63	REC90501-10M77	90501-10M77	MUELLE	COMPRESSION SPRING	MOLLA
64	REC90201-02M00	90201-02M00	ARANDELA	PLATE WASHER	RONDELLA
65	REC61A-45631-03	61A-45631-03	SELECTOR	CLUTCH, 2 STROKE	SELETTORE
66	REC61A-45632-00	61A-45632-00	PASADOR	CROSS PIN	SPINOTTO
67	REC61A-45633-00	61A-45633-00	MUELLE	SPRING	MOLLA
68	REC60V-45611-00	60V-45611-00	EJE HÉLICE	PROP SHAFT	ASSE ELICA
69	REC90201-31M00	90201-31M00	ARANDELA	WASHER	RONDELLA
70		61A-455770-00	ESPACIADOR	SHIM KIT, REVERSE	SPESSORE
71	REC93306-210U0	93306-210U0	RODAMIENTO MARCHA ATRÁS	BEARING, REVERSE GEAR	CUSCINETTO MARCIA IND.
72	REC93211-04384	93211-04384	ARO TÓRICO	O-RING, BEARING CARRIER	O-RING
73	REC99590-10114	99590-10114	PIN CENTRADO	ALIGNMENT DOWEL	SPINOTTO
74	REC60V-45332-00-94	60V-45332-00-94	DIÁBOLO	BEARING CARRIER	COP. CASSA INGRANAGGI
75		90370-09M00	NIPPLE	GREASE NIPPLE	NIPPLE
76		90105-08M48	TORNILLO	BOLT	VITE
77		90201-08023	ARANDELA	WASHER	RONDELLA
78	REC93315-43061	93315-43061	RODAMIENTO	PROP SHAFT BEARING	CUSCINETTO
79	REC93101-30M17	93101-30M17	RETÉN	PROP SHAFT SEAL	PARAOLIO
80	REC69J-45361-00-8D	69J-45361-00-8D	FUNDA INFERIOR	CAP, LOWER CASING	COPERCHIO INFERIORE
81		97095-08020	TORNILLO	BOLT	VITE
82		90201-98023	ARANDELA	WASHER	RONDELLA
83	REC688-45997-00	688-45997-00	ESPACIADOR	SPACER	SPESSORE
84		92990-18200	ARANDELA	WASHER	RONDELLA
85	REC90171-18M04	90171-18M04	TUERCA	PROP NUT	DADO
86	REC91490-40030	91490-40030	PIN	COTTER PIN	SPINOTTO
87		61A-45301-10-8D	CARCASA	GEARCASE SEAL KIT	CARCASSE

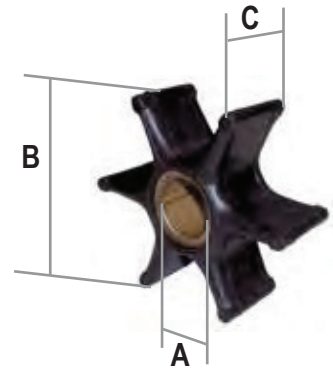


Nº	Ref.	R.O. / OEM	Descripción	Description	Descrizione
1	REC90119-08M14	90119-08M14	TORNILLO CON ARANDELA	BOLT W WASHER	VITE
2	REC6E5-44312-00	6E5-44312-00	TAPA CUERPO BOMBA AGUA	COVER, WATER PUMP HOUSING	COPERCHIO CORPO POMPA
3	REC6E5-44365-00	6E5-44365-00	CASQUILLO GOMA	DAMPER	BOCCOLA GOMMA
4	REC61A-44311-00	61A-44311-01	CUERPO BOMBA AGUA	WATER PUMP HOUSING	CORPO POMPA ACQUA
5	REC93606-12019	93606-42019	PASADOR	PIN, DOWELL	SPINOTTO
6	REC93210-37M67	93210-37M67	ARO TÓRICO	O-RING	O-RING
7	REC93210-86M38	93210-86M38	ARO TÓRICO	O-RING	O-RING
8	REC61A-44322-02	61A-44322-02	CASQUILLO INOX.	PUMP CUP	BOCCOLA INOX.
9	REC6E5-44352-01	6E5-44352-01	IMPULSOR	IMPELLER	GIRANTE
10	REC60X-44323-00	60X-44323-00	TAPA BOMBA	WEAR PLATE FOR 2 STROKE	COPERCHIO POMPA
11		60X-44315-A0	JUNTA	GASKET, WATER PUMP	GUARNIZIONE
12	REC90280-04M05	90280-04M05	CHAVETA	KEY, WOODRUFF	CHIAVETTA
13	REC93101-28M16	93101-28M16	RETÉN	OIL SEAL	PARAOLIO
14	PAF4-03000024	93430-08020	JUNTA	GASKET, DRAIN FILL	GUARNIZIONE

GUÍA IMPULSORES IMPELLER GUIDE GUIDA GIRANTE

Modelo / Model / Modello	Ref. RECMAR	R.O. / OEM	Ref. CEF	Medidas / Measurements / Misure		
				A	B	C
2A/B/C	REC646-44352-01	646-44352-01	CEF500324	11,5	47,5	13,7
F2.5, 3A, MALTA	REC6L5-44352-00	6L5-44352-00	CEF500322	10	36	14,5
4A/B, F4A, 5C	REC6E0-44352-00	6E0-44352-00	CEF500325	11	40	12,6
F6A/B, F8C	REC68T-44352-00	68T-44352-00	CEF500368	11,6	53	14
E8D	REC662-44352-01	662-44352-01	CEF500321	14	40	22
6C/D,8C	REC6G1-44352-00	6G1-44352-00	CEF500302	11,9	40	18
F8, F9.9A/B/D, FT9.9A, 15D	REC682-44352-01	682-44352-03	CEF500320	13	40	22
FT8D, 9.9F, F9.9C, FT9.9D, 15F, F15A-C, F20B	REC63V-44352-01	63V-44352-01	CEF500363	12,85	53	14
20C, 25D, 30A	REC689-44352-02	689-44352-02	CEF500326	16,5	69,5	12,72
20D, 25N	REC6L2-44352-00	6L2-44352-00	CEF500384	13,97	51,2	19,05
F20A, F25A, FT25B, 25B/J/V, F30A, 30D/H/G, F40B, 40H/X, 50D	REC6H4-44352-02	6H4-44352-02	CEF500385G	16,1	51,2	19,05
F40A/C, 40V/F/Y, F45A, 50G/H, 55B, PRO50, F50A/B/F, FT50B/C/G	REC6H3-44352-00	6H3-44352-00	CEF500316	18,05	51,80	19
60F, F60A/C, FT60B/D, 70B-03	REC6H3-44352-00	6H3-44352-00	CEF500316	18,05	51,80	19
40Q	REC6F5-44352-00	6F5-44352-00	CEF500352	16,04	69,8	22,1
60F'04-, 70B'04-, 75A/C, PRO75, 80A, 85A, 90A	REC688-44352-03	688-44352-03	CEF500323	20,1	58	30
F80A/B, F100A/D	REC67F-44352-00	67F-44352-00	CEF500364	20	58,2	34,7
F(L)115A/F(L), 150A & all V4/V6	REC6E5-44352-01	6E5-44352-01	CEF500371	22,4	89	31
F300, F350		6AW-44352-00	CEF500389N	24,6	89	36

Todos los motores Yamaha utilizan impulsores de 6 palas. MEDIDAS mm (A-B-C)
All Yamaha engines use 6 impellers blades. Measurements mm (A-B-C)
Tutti i motori utilizzano giranti con 6 pale. Misure mm (A-B-C)



MANETAS STARTERS HANDLE MANIGLIA DI AVVIAMENTO

Ref.	R.O.
REC6L8-G3118-01	6L8-G3118-01

MOTORES / ENGINES / MOTORI
F4/F6/F-FT8/F6
6C/TRV/M/D
8C/M



Ref.	R.O.
REC6N0-G2177-00	6N0-G2177-00

MOTORES / ENGINES / MOTORI
F2.5
6C/T/M/D
8C/T/M



Ref.	R.O.
REC663-43118-01-4D	663-43118-01-4D

MOTORES / ENGINES / MOTORI
F20/F25 E60H/E
40X/E40M/E40X/40Q E55C
E8D/55B E9.9D/E15D



Ref.	R.O.
REC689-15755-00	689-15755-00

MOTORES / ENGINES / MOTORI
9.9D/15D
25NE/20DM



Ref.	R.O.
REC99999-02808	99999-02808



Ref.	R.O.
REC6E0-43118-01	6E0-43118-00/01



Ref.	R.O.
REC648-44146-00	648-44146-00

MOTORES / ENGINES / MOTORI
25Q/D 40Q/H/E40G/J
30A 50D
20C



Ref.	R.O.
REC650-44147-00	650-44147-00

MOTORES / ENGINES / MOTORI
40Q
E40G/J
40G/J



BUJES / BUSHINGS / BOCCOLE

Ref.	R.O.
PAF15-01010302	90386-22M15
REC90386-25M31	90386-25M31
PAF15-01000004	90386-30048
PAF25-01000004	90386-44M03
PAF25-01000001	90386-52M02
REC90386-30M77	90386-30M77



PAF15-01010302



REC90386-25M31



PAF15-01000004



PAF25-01000004



PAF25-01000001



REC90386-30M77



HANDLE

Ref.	R.O.
REC688-44120-12	688-44120-11/12

MOTORES / ENGINES / MOTORI
75AE/A
E75B
85A/AE



Ref.	R.O.
REC688-44120-22	688-44120-22

MOTORES / ENGINES / MOTORI
85AE



Ref.	R.O.
REC692-44120-22	692-44120-21/22

MOTORES / ENGINES / MOTORI
75AE
80A
90A



SILENBLOCK MOUNT DAMPERS SILENBLOCK

Ref.	R.O.
REC63V-44514-01-CA	63V-44514-01-CA

MOTORES / ENGINES / MOTORI
9.9F/FM/MS
13.5AMH
15F/FM/MS



Ref.	R.O.
REC66T-44514-00-4D	66T-44514-00-4D

MOTORES / ENGINES / MOTORI
40X
E40X/M



Ref.	R.O.
REC670-44514-00	670-44514-00

MOTORES / ENGINES / MOTORI
55B
E55CMH



Ref.	R.O.
REC670-44555-00-94	62Y-44555-00

MOTORES / ENGINES / MOTORI
E48CM
E55CM



Ref.	R.O.
REC679-44514-00-94	679-44514-00-94

MOTORES / ENGINES / MOTORI
40QE/QWC/G/J
E40G/J



Ref.	R.O.
REC682-44514-01-94	682-44514-01-94

MOTORES / ENGINES / MOTORI
E9.9DMH
E15DMH



Ref.	R.O.
REC688-44514-00	688-44514-00

MOTORES / ENGINES / MOTORI

E60HMHD
70BETO
75CETO
90AETO



Ref.	R.O.
REC688-44555-00	688-44555-00

MOTORES / ENGINES / MOTORI

60FE/FET
70CE/ETN
E75B
80A
85A



Ref.	R.O.
REC663-44551-02-8D	663-44551-02-8D

MOTORES / ENGINES / MOTORI

F50DETL
75CETO
90AETO/TR/TRH



Ref.	R.O.
REC676-44518-00	676-44518-00

MOTORES / ENGINES / MOTORI

E40G/J
40G/J
40G



KIT JUNTAS, RETENES Y COLAS GEAR HOUSING, GASKET & SEAL KITS

KIT GUARNIZIONE, TENUTE E PIEDI

Ref.	R.O.
REC6A1-W0001-22	6A1-W0001-22

MOTORES / ENGINES / MOTORI

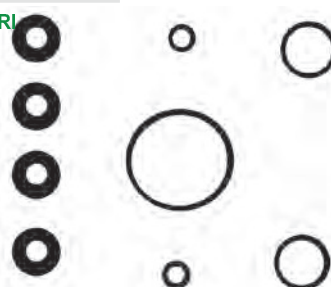
2B



Ref.	R.O.
REC6A1-W0001-23	6A1-W0001-23

MOTORES / ENGINES / MOTORI

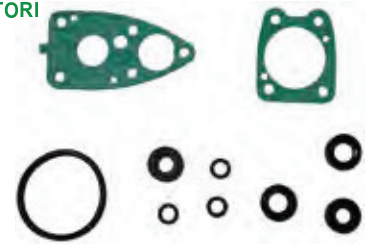
2B
2MSH



Ref.	R.O.
REC6E0-W0001-C1	6E0-W0001-C1

MOTORES / ENGINES / MOTORI

F4/F5/F6
4AC
MSH
5C/CS/CMH



Ref.	R.O.
REC6G1-W0001-C1	6G1-W0001-C0

MOTORES / ENGINES / MOTORI

6C/CMH/MSH/TRV/D/DMH
8C/MSH/CMH/TRV



Ref.	R.O.
REC68T-W0001-20	68T-W0001-20

MOTORES / ENGINES / MOTORI

F6/F8/F9.9



Ref.	R.O.
REC6G9-W0001-C4	6G9-W0001-C4

MOTORES / ENGINES / MOTORI

F8
F9.9



Ref.	R.O.
REC69G-W0001-20	69G-W0001-20

MOTORES / ENGINES / MOTORI

FT8/T8
FT9.9/T9.9



Ref.	R.O.
REC6G9-W0001-C6	6G9-W0001-C6

MOTORES / ENGINES / MOTORI

F8
F9.9



Ref.	R.O.
REC66M-W0001-20	66M-W0001-20

MOTORES / ENGINES / MOTORI

F9.9
F13.5
F15



Ref.	R.O.
REC6G8-W0001-C0	6G8-W0001-C0

MOTORES / ENGINES / MOTORI

FT9.9



Ref.	R.O.
REC683-W0001-21	683-W0001-C1

MOTORES / ENGINES / MOTORI

9.9D/15D



Ref.	R.O.
REC63V-W0001-21	63V-W0001-21

MOTORES / ENGINES / MOTORI

9.9/15F
13.5AWH



Ref.	R.O.
REC63V-W0001-22	63V-W0001-22

MOTORES / ENGINES / MOTORI

9.9/15F
13.5AWH



Ref.	R.O.
REC689-W0001-C2	689-W0001-C2

MOTORES / ENGINES / MOTORI

20C/CM
25D
30A



Ref.	R.O.
REC65W-W0001-20	65W-W0001-20

MOTORES / ENGINES / MOTORI

F20/25



Ref.	R.O.
REC6L2-W0001-C3	6L2-W0001-C3

MOTORES / ENGINES / MOTORI

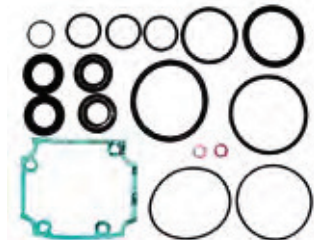
20DMH/MLH
25D/NWC/MLH/MSH



Ref.	R.O.
REC61N-W0001-E1	61N-W0001-E1

MOTORES / ENGINES / MOTORI

25V/VM/E25A
30G/GE



Ref.	R.O.
REC67C-W0001-22	67C-W0001-22

MOTORES / ENGINES / MOTORI

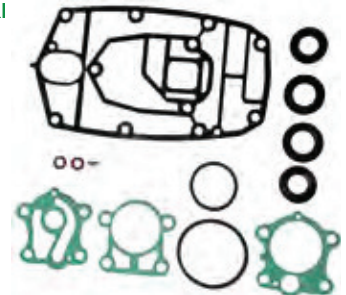
FT25
T25
F30/40



Ref.	R.O.
REC6J8-W0001-21	6J8-W0001-21

MOTORES / ENGINES / MOTORI

25J
30D/DMH



Ref.	R.O.
REC6H3-W0001-22	6H3-W0001-22

MOTORES / ENGINES / MOTORI

25B/BETO
50G/GEO/GETO
60FETO/FEDO/FEO/F/TLR
70B/BETO/BEMO



Ref. R.O.
REC67F-W0001-20

MOTORES / ENGINES / MOTORI
 F30/40
 FT25
 T25



Ref. R.O.
REC62Y-W0001-22 62Y-W0001-20,-21,-22

MOTORES / ENGINES / MOTORI
 F40A, ELH/F45AE, AET/F50A,
 AET, AED, AEDH, AEHT, TJR,
 TJRB, TLR, TLRA, TLRC, TLRZ,
 TLHC/FT50B/T50TLR
 (2000-07)



Ref. R.O.
REC62Y-W0001-20 62Y-W0001-20

MOTORES / ENGINES / MOTORI
 F40/45/50



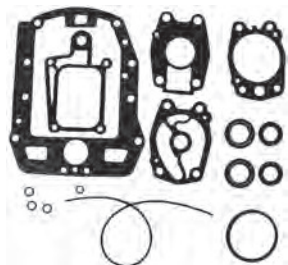
Ref. R.O.
REC62Y-W0001-21 62Y-W0001-21

MOTORES / ENGINES / MOTORI
 F40/50



Ref. R.O.
REC6F5-W0001-C0 6F5-W0001-C0

MOTORES / ENGINES / MOTORI
 40G/E40G



Ref. R.O.
REC66T-W0001-20 66T-W0001-20

MOTORES / ENGINES / MOTORI
 40X/E40X-MH/XW
 E40MCH



Ref. R.O.
REC6A0-W0001-21 6A0-W0001-21

MOTORES / ENGINES / MOTORI
 40QE/G



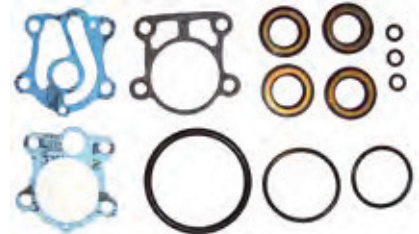
Ref. R.O.
REC64J-W0001-20 64J-W0001-20

MOTORES / ENGINES / MOTORI
 F45/50
 FT50
 T50



Ref. R.O.
REC698-W0001-21 698-W0001-21

MOTORES / ENGINES / MOTORI
 E48
 E48CMH
 55B/BM/BET
 E55CMH



Ref. R.O.
REC64J-W0001-21 64J-W0001-21

MOTORES / ENGINES / MOTORI
 FT50, T50



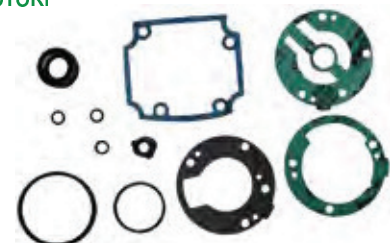
Ref. R.O.
REC689-W0001-20 689-W0001-20

MOTORES / ENGINES / MOTORI
 55BET



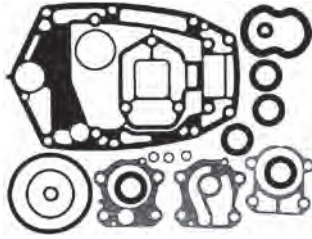
Ref. R.O.
REC689-W0001-21 689-W0001-21

MOTORES / ENGINES / MOTORI
 55B



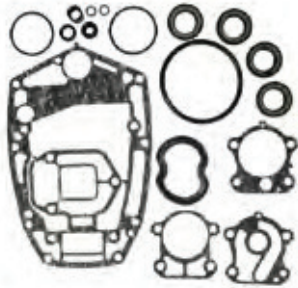
Ref.	R.O.
REC6H3-W0001-C1	6H3-W0001-21

MOTORES / ENGINES / MOTORI
60FEO/FETO
70B/BEO/BEH/CE



Ref.	R.O.
REC69D-W0001-20	69D-W0001-20

MOTORES / ENGINES / MOTORI
E60H



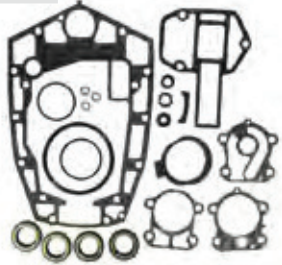
Ref.	R.O.
REC6H2-W0001-20	6H2-W0001-20

MOTORES / ENGINES / MOTORI
60FETO/TR
70BETO/TR



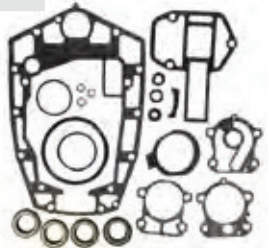
Ref.	R.O.
REC688-W0001-22	688-W0001-22

MOTORES / ENGINES / MOTORI
75CETO/E75B/AED
85A/AED/AET
90AETO/TR



Ref.	R.O.
REC688-W0001-20	688-W0001-20

MOTORES / ENGINES / MOTORI
75A/AE
80A
85A/AE
90A/AEO/AETO/ETN



Ref.	R.O.
REC67F-W0001-20	67F-W0001-20

MOTORES / ENGINES / MOTORI
F80/100



Ref.	R.O.
REC68V-W0001-20	68V-W0001-20

MOTORES / ENGINES / MOTORI
F115



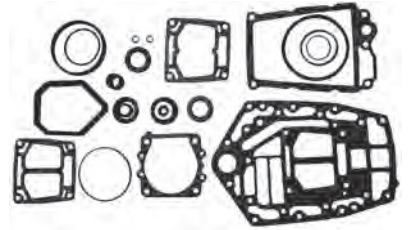
Ref.	R.O.
REC6E5-W0001-F1	6E5-W0001-F1

MOTORES / ENGINES / MOTORI
115BETO/B/CEO/TXR
130BETO



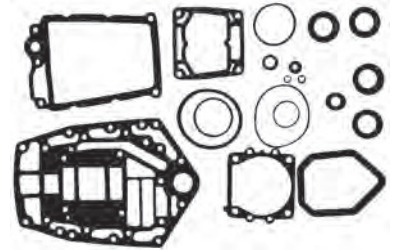
Ref.	R.O.
REC6F3-W0001-21	6F3-W0001-21

MOTORES / ENGINES / MOTORI
115CETO/CEO
130BETO



Ref.	R.O.
REC6E5-W0001-21	6E5-W0001-21

MOTORES / ENGINES / MOTORI
E115AE



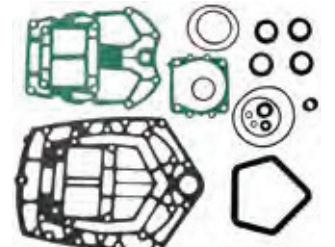
Ref.	R.O.
REC69J-W0001-20-00	69J-W0001-20

MOTORES / ENGINES / MOTORI
F200/225



Ref.	R.O.
REC61A-W0001-21	

MOTORES / ENGINES / MOTORI
225C/CETO
250A/AET/AETO
250B



GUÍA PIEZAS COLA STERN DRIVE COMPONENTS APPLICATIONS GUIDA RICAMBI PIEDI

MODELO MODEL MODELLO	DESDE FROM DELL' ANNO	HASTA TO ALL' ANNO	PIÑÓN ATAQUE GEAR PIGNONE INNESTO	PIÑÓN AVANTE GEAR FORWARD PIGNONE MARCIA AVANTI	PIÑÓN M. ATRÁS GEAR REVERSE PIGNONE MAR. INDIETRO	PIÑÓN M. ATRÁS GEAR REVERSE PIGNONE MAR. INDIETRO	MUELLE SPRING MOLLA	EJE HÉLICE PROPELLER SHAFT ASSE ELICA	EJE VERTICAL DRIVESHAFT ASSEMBLY ASSE VERT.	DIÁBOLO CARRIER COP. CASSA INGRANAGGI
2B	1981	2003	REC646-45551-00	REC646-45560-00						
4A	1985	1987	REC6E0-45551-00	REC6E0-45560-00	REC6E0-45570-00	REC6E0-45631-00			REC6E0-45511-01	PAF4-03050001
4AC	1987	1999	REC6E0-45551-00	REC6E0-45560-00	REC6E0-45570-00	REC6E0-45631-00			REC6E0-45511-01	PAF4-03050001
4AC MHL 4AC MHS	2001	2003	REC6E0-45551-00	REC6E0-45560-00	REC6E0-45570-00	REC6E0-45631-00			REC6E0-45511-11	PAF4-03050001
4AS	1987	1996	REC6E0-45551-00	REC6E0-45560-00	REC6E0-45570-00	REC6E0-45631-00			REC6E0-45511-01	PAF4-03050001
4BC	1998	1999	REC6E0-45551-00	REC6E0-45560-00	REC6E0-45570-00	REC6E0-45631-00			REC6E0-45511-01	PAF4-03050001
4BC	1999	1999	REC6E0-45551-00	REC6E0-45560-00	REC6E0-45570-00	REC6E0-45631-00			REC6E0-45511-01	PAF4-03050001
4BC MHL 4BC MHS	2001	2003	REC6E0-45551-00	REC6E0-45560-00	REC6E0-45570-00	REC6E0-45631-00			REC6E0-45511-11	PAF4-03050001
F4A	1998	2000	REC6E0-45551-00	PAF4-03010000	PAF4-03040000				REC6E0-45511-11	PAF4-03050001
F4A MH F4A MHL	2000	2000	REC6E0-45551-00	PAF4-03010000	PAF4-03040000				REC6E0-45511-11	PAF4-03050001
F4A MHS	2001	2001	REC6E0-45551-00	PAF4-03010000	PAF4-03040000				REC6E0-45511-11	PAF4-03050001
5C	1985	1999	REC6E0-45551-00	REC6E0-45560-00	REC6E0-45570-00	REC6E0-45631-00			REC6E0-45511-01	PAF4-03050001
5C MHL 5C MHS	2001	2006	REC6E0-45551-00	REC646-45560-00	REC6E0-45570-00	REC6E0-45631-00			REC6E0-45511-11	PAF4-03050001
5CS	1987	1996	REC6E0-45551-00	REC646-45560-00	REC6E0-45570-00	REC6E0-45631-00			REC6E0-45511-01	
6C	1990	1998	REC6N0-G5551-00	REC6N0-G5560-00	REC6N0-G5571-00	REC6G1-45631-00		REC6G1-45611-01		
6C MHL 6C MHS	2001	2006	REC6N0-G5551-00	REC6N0-G5560-00	REC6N0-G5571-00	REC6G1-45631-00		REC6G1-45611-01		
6C WHL 6C WHS	2001	2001	REC6N0-G5551-00	REC6N0-G5560-00	REC6N0-G5571-00	REC6G1-45631-00		REC6G1-45611-01		
6D	1990	1998	REC6N0-G5551-00	REC6N0-G5560-00	REC6N0-G5571-00	REC6G1-45631-00		REC6G1-45611-01		
6D MHL 6D MHS	2001	2006	REC6N0-G5551-00	REC6N0-G5560-00	REC6N0-G5571-00	REC6G1-45631-00		REC6G1-45611-01		
6D WHS	2001	2001	REC6N0-G5551-00	REC6N0-G5560-00	REC6N0-G5571-00	REC6G1-45631-00		REC6G1-45611-01		
8C	1990	1998	REC6N0-G5551-00	REC6N0-G5560-00	REC6N0-G5571-00	REC6G1-45631-00		REC6G1-45611-01		
8C MHL 8C MHS	2001	2006	REC6N0-G5551-00	REC6N0-G5560-00	REC6N0-G5571-00	REC6G1-45631-00		REC6G1-45611-01		
8C MHX	2001	2003	REC6N0-G5551-00	REC6N0-G5560-00	REC6N0-G5571-00	REC6G1-45631-00		REC6G1-45611-01		
8C WHL 8C WHS	2001	2002	REC6N0-G5551-00	REC6N0-G5560-00	REC6N0-G5571-00	REC6G1-45631-00		REC6G1-45611-01		
E8D	1997	1998	REC647-45551-00	REC647-45560-00	REC647-45570-00					
E8D MH	1999	1999	REC647-45551-00	REC647-45560-00	REC647-45570-00					
F8A	1986	1989				REC682-45631-00	REC648-45633-00			
F8B	1985	1999	REC6E7-45551-00	REC6E7-45560-00	REC6E7-45570-00	REC682-45631-00	REC648-45633-00	REC683-45611-00		
F8B E F8B EH F8B MH	1999	1999	REC6E7-45551-00	REC6E7-45560-00	REC6E7-45570-00	REC682-45631-00	REC648-45633-00	REC683-45611-00		
FT8D EL	2001	2004					REC648-45633-00	REC683-45611-00	REC69G-45510-20	
FT8D EPL	2001	2004					REC648-45633-00	REC683-45611-00	REC69G-45510-10	
FT8D EPX	2001	2002					REC648-45633-00	REC683-45611-00	REC69G-45510-10	
FT8D EX	2001	2004					REC648-45633-00	REC683-45611-00	REC69G-45510-20	
FT8D MHL FT8D MHX	2001	2004					REC648-45633-00	REC683-45611-00	REC69G-45510-10	
9.9D	1985	1989	REC6E7-45551-00	REC6E7-45560-00	REC6E7-45570-00	REC682-45631-00	REC648-45633-00	REC683-45611-00	REC69G-45510-20	
9.9D	1990	1995	REC6E7-45551-00	REC6E7-45560-00	REC6E7-45570-00	REC682-45631-00	REC648-45633-00	REC683-45611-00	REC6E7-45501-11	REC683-45361-02-4D
9.9F	1995	1999	REC63V-45551-00	REC6E7-45560-00	REC6E7-45570-00	REC682-45631-00	REC648-45633-00	REC683-45611-00	REC63V-45501-01 S 17,3" REC63V-45501-10 L 22,3"	REC683-45361-02-4D
9.9F MH	2000	2000	REC63V-45551-00	REC6E7-45560-00	REC6E7-45570-00	REC682-45631-00	REC648-45633-00	REC683-45611-00	REC63V-45501-01 S 17,3" REC63V-45501-11 L 22,3"	REC683-45361-02-4D
9.9F MHL 9.9F MHS	2001	2006	REC63V-45551-00	REC6E7-45560-00	REC6E7-45570-00	REC682-45631-00	REC648-45633-00	REC683-45611-00	REC63V-45501-01 S 17,3" REC63V-45501-11 L 22,3"	REC683-45361-02-4D
9.9F WC 9.9F WH	2000	2000	REC63V-45551-00	REC6E7-45560-00	REC6E7-45570-00	REC682-45631-00	REC648-45633-00	REC683-45611-00	REC63V-45501-01 S 17,3" REC63V-45501-11 L 22,3" REC63V-45501-01 S 17,3" REC63V-45501-11 L 22,3"	REC683-45361-02-4D
9.9F WHL 9.9F WHS	2001	2001	REC63V-45551-00	REC6E7-45560-00	REC6E7-45570-00	REC682-45631-00	REC648-45633-00	REC683-45611-00	REC63V-45501-01 S 17,3" REC63V-45501-11 L 22,3"	REC683-45361-02-4D
F9.9B	1985	1997	REC6E7-45551-00	REC6E7-45560-00	REC6E7-45570-00	REC682-45631-00	REC648-45633-00	REC683-45611-00		REC683-45361-02-4D
F9.9B E	1999	1999	REC6E7-45551-00	REC6E7-45560-00	REC6E7-45570-00	REC682-45631-00	REC648-45633-00	REC683-45611-00		REC683-45361-02-4D
F9.9B EH	1999	1999	REC6E7-45551-00	REC6E7-45560-00	REC6E7-45570-00	REC682-45631-00	REC648-45633-00	REC683-45611-00		REC683-45361-02-4D
F9.9B MH	1999	1999	REC6E7-45551-00	REC6E7-45560-00	REC6E7-45570-00	REC682-45631-00	REC648-45633-00	REC683-45611-00		REC683-45361-02-4D
F9.9C	1998	1998	REC63V-45551-00	REC6E7-45560-00	REC6E7-45570-00	REC682-45631-00	REC648-45633-00	REC683-45611-00	REC63V-45501-01 S 17,3" REC63V-45501-11 L 22,3"	REC683-45361-02-4D
F9.9C E	2000	2000	REC63V-45551-00	REC6E7-45560-00	REC6E7-45570-00	REC682-45631-00	REC648-45633-00	REC683-45611-00	REC63V-45501-01 S 17,3" REC63V-45501-11 L 22,3"	REC683-45361-02-4D

YAMAHA

**RECAMBIOS
MARINOS S.L.**

MODELO MODEL MODELLO	DESDE FROM DELL ANNO	HASTA TO ALL' ANNO	PIÑÓN ATAQUE GEAR PIGNONE INNESTO	PIÑÓN AVANTE GEAR FORWARD PIGNONE MARCIA AVANTI	PIÑÓN M. ATRÁS GEAR REVERSE PIGNONE MAR. INDIETRO	PIÑÓN M. ATRÁS GEAR REVERSE PIGNONE MAR. INDIETRO	MUELLE SPRING MOLLA	EJE HÉLICE PROPELLER SHAFT ASSE ELICA	EJE VERTICAL DRIVESHAFT ASSEMBLY ASSE VERT.	DIÁBOLO CARRIER COP. CASSA INGRANAGGI
F9.9C EH	2000	2000	REC63V-45551-00	REC6E7-45560-00	REC6E7-45570-00	REC682-45631-00	REC648-45633-00	REC683-45611-00	REC63V-45501-01 S 17,3"	REC683-45361-02-4D
F9.9C EL F9.9C ES	2001	2006	REC63V-45551-00	REC6E7-45560-00	REC6E7-45570-00	REC682-45631-00	REC648-45633-00	REC683-45611-00	REC63V-45501-11 L 22,3"	REC683-45361-02-4D
F9.9C MH	2000	2000	REC63V-45551-00	REC6E7-45560-00	REC6E7-45570-00	REC682-45631-00	REC648-45633-00	REC683-45611-00	REC63V-45501-01 S 17,3"	REC683-45361-02-4D
F9.9C MHL F9.9C MHS	2001	2006	REC63V-45551-00	REC6E7-45560-00	REC6E7-45570-00	REC682-45631-00	REC648-45633-00	REC683-45611-00	REC63V-45501-11 L 22,3"	REC683-45361-02-4D
FT9.9A	1999	1999				REC682-45631-00	REC648-45633-00			
FT9.9D	1999	1999				REC682-45631-00	REC648-45633-00	REC683-45611-00		
FT9.9D E FT9.9D EH FT9.9D EHL FT9.9D EHX FT9.9D EL	2000	2000				REC682-45631-00	REC648-45633-00	REC683-45611-00		
FT9.9D EP	2000	2000				REC682-45631-00	REC648-45633-00			
FT9.9D EPL FT9.9D EPX	2001	2002				REC682-45631-00	REC648-45633-00	REC683-45611-00		
FT9.9D ES	2001	2001				REC682-45631-00	REC648-45633-00	REC683-45611-00		
FT9.9D EX	2001	2006				REC682-45631-00	REC648-45633-00	REC683-45611-00		
FT9.9D MH FT9.9D MHL FT9.9D MHX	2000	2000				REC682-45631-00	REC648-45633-00	REC683-45611-00		
13.5A	1999	1999	REC63V-45551-00	REC6E7-45560-00	REC6E7-45570-00	REC682-45631-00	REC648-45633-00	REC683-45611-00	REC63V-45501-01 S 17,3"	REC683-45361-02-4D
13.5A MH	2000	2000	REC63V-45551-00	REC6E7-45560-00	REC6E7-45570-00	REC682-45631-00	REC648-45633-00	REC683-45611-00	REC63V-45501-11 L 22,3"	REC683-45361-02-4D
13.5A MHL 13.5A MHS	2001	2004	REC63V-45551-00	REC6E7-45560-00	REC6E7-45570-00	REC682-45631-00	REC648-45633-00	REC683-45611-00	REC63V-45501-01 S 17,3"	REC683-45361-02-4D
13.5A WH	2000	2000	REC63V-45551-00	REC6E7-45560-00	REC6E7-45570-00	REC682-45631-00	REC648-45633-00	REC683-45611-00	REC63V-45501-11 L 22,3"	REC683-45361-02-4D
F13.5A EHL	2005	2006	REC63V-45551-00	REC6E7-45560-00	REC6E7-45570-00	REC682-45631-00	REC648-45633-00	REC683-45611-00	REC63V-45501-01 S 17,3"	REC683-45361-02-4D
F13.5A EPL F13.5A EHS	2005	2005	REC63V-45551-00	REC6E7-45560-00	REC6E7-45570-00	REC682-45631-00	REC648-45633-00	REC683-45611-00	REC63V-45501-11 L 22,3"	REC683-45361-02-4D
F13.5A MH	2001	2001	REC63V-45551-00	REC6E7-45560-00	REC6E7-45570-00	REC682-45631-00		REC683-45611-00	REC63V-45501-01 S 17,3"	REC683-45361-02-4D
F13.5A MHL F13.5A MHS	2002	2006	REC63V-45551-00	REC6E7-45560-00	REC6E7-45570-00	REC682-45631-00	REC648-45633-00	REC683-45611-00	REC63V-45501-11 L 22,3"	REC683-45361-02-4D
15D	1985	1989	REC6E7-45551-00	REC6E7-45560-00	REC6E7-45570-00	REC682-45631-00	REC648-45633-00	REC683-45611-00		
15D	1990	1995	REC6E7-45551-00	REC6E7-45560-00	REC6E7-45570-00	REC682-45631-00	REC648-45633-00	REC683-45611-00	REC6E7-45501-11	REC683-45361-02-4D
15F	1995	1999	REC63V-45551-00	REC6E7-45560-00	REC6E7-45570-00	REC682-45631-00	REC648-45633-00	REC683-45611-00	REC63V-45501-01 S 17,3"	REC683-45361-02-4D
15F MH	2000	2000	REC63V-45551-00	REC6E7-45560-00	REC6E7-45570-00	REC682-45631-00	REC648-45633-00	REC683-45611-00	REC63V-45501-10 L 22,3"	REC683-45361-02-4D
15F MHL 15F MHS	2001	2006	REC63V-45551-00	REC6E7-45560-00	REC6E7-45570-00	REC682-45631-00	REC648-45633-00	REC683-45611-00	REC63V-45501-01 S 17,3"	REC683-45361-02-4D
15F WC	2000	2000	REC63V-45551-00	REC6E7-45560-00	REC6E7-45570-00	REC682-45631-00	REC648-45633-00	REC683-45611-00	REC63V-45501-11 L 22,3"	REC683-45361-02-4D
15F WCL	2001	2003	REC63V-45551-00	REC6E7-45560-00	REC6E7-45570-00	REC682-45631-00	REC648-45633-00	REC683-45611-00	REC63V-45501-01 S 17,3"	REC683-45361-02-4D

MODELO MODEL MODELLO	DESDE FROM DELL' ANNO	HASTA TO ALL' ANNO	PIÑÓN ATAQUE GEAR PIGNONE INNESTO	PIÑÓN AVANTE GEAR FORWARD PIGNONE MARCIA AVANTI	PIÑÓN M. ATRÁS GEAR REVERSE PIGNONE MAR. INDIETRO	PIÑÓN M. ATRÁS GEAR REVERSE PIGNONE MAR. INDIETRO	MUELLE SPRING MOLLA	EJE HÉLICE PROPELLER SHAFT ASSE ELICA	EJE VERTICAL DRIVESHAFT ASSEMBLY ASSE VERT.	DIÁBOLO CARRIER COP. CASSA INGRANAGGI
15F WCS	2001	2002	REC63V-45551-00	REC6E7-45560-00	REC6E7-45570-00	REC682-45631-00	REC648-45633-00	REC683-45611-00	REC63V-45501-01 S 17,3" REC63V-45501-11 L 22,3"	REC683-45361-02-4D
F15A	1998	1998	REC63V-45551-00	REC6E7-45560-00	REC6E7-45570-00	REC682-45631-00	REC648-45633-00	REC683-45611-00	REC63V-45501-01 S 17,3" REC63V-45501-11 L 22,3"	REC683-45361-02-4D
F15A E F15A EH	1998	2000	REC63V-45551-00	REC6E7-45560-00	REC6E7-45570-00	REC682-45631-00	REC648-45633-00	REC683-45611-00	REC63V-45501-01 S 17,3" REC63V-45501-11 L 22,3"	REC683-45361-02-4D
F15A EHS F15A EHL	2001	2006	REC63V-45551-00	REC6E7-45560-00	REC6E7-45570-00	REC682-45631-00	REC648-45633-00	REC683-45611-00	REC63V-45501-01 S 17,3" REC63V-45501-11 L 22,3"	REC683-45361-02-4D
F15A EL	2001	2006	REC63V-45551-00	REC6E7-45560-00	REC6E7-45570-00	REC682-45631-00	REC648-45633-00	REC683-45611-00	REC63V-45501-01 S 17,3" REC63V-45501-11 L 22,3"	REC683-45361-02-4D
F15A EP F15A EPL F15A EPS	2000 2001	2000 2006	REC63V-45551-00 REC63V-45551-00	REC6E7-45560-00 REC6E7-45560-00	REC6E7-45570-00 REC6E7-45570-00	REC682-45631-00 REC682-45631-00	REC648-45633-00 REC648-45633-00	 REC683-45611-00	 	REC683-45361-02-4D REC683-45361-02-4D
F15A ES	2001	2006	REC63V-45551-00	REC6E7-45560-00	REC6E7-45570-00	REC682-45631-00	REC648-45633-00	REC683-45611-00	REC63V-45501-01 S 17,3" REC63V-45501-11 L 22,3"	REC683-45361-02-4D
F15A MH	1998	2000	REC63V-45551-00	REC6E7-45560-00	REC6E7-45570-00	REC682-45631-00	REC648-45633-00	REC683-45611-00	REC63V-45501-01 S 17,3" REC63V-45501-11 L 22,3"	REC683-45361-02-4D
F15A MHL F15A MHS	2001	2006	REC63V-45551-00	REC6E7-45560-00	REC6E7-45570-00	REC682-45631-00	REC648-45633-00	REC683-45611-00	REC63V-45501-01 S 17,3" REC63V-45501-11 L 22,3"	REC683-45361-02-4D
20C	1985	1985	REC689-45551-00	REC689-45560-00	REC689-45571-00-00	REC664-45631-00	REC648-45633-00	REC689-45611-00	REC689-45501-10 L	
20C	1986	1993	REC63V-45551-00	REC689-45560-00	REC689-45571-00-00	REC664-45631-00	REC648-45633-00	REC689-45611-00	REC689-45501-10 L	
20C M	1990	1997	REC63V-45551-00	REC689-45560-00	REC689-45571-00-00	REC664-45631-00	REC648-45633-00	REC689-45611-00	REC689-45501-10 L	
20C MH	1998	1998	REC63V-45551-00	REC689-45560-00	REC689-45571-00-00	REC664-45631-00	REC648-45633-00	REC689-45611-00	REC689-45501-10 L	
20C MHL	2001	2002	REC63V-45551-00	REC689-45560-00	REC689-45571-00-00	REC664-45631-00	REC648-45633-00	REC689-45611-00	REC689-45501-10 L	
20C MHS	2001	2002	REC63V-45551-00	REC689-45560-00	REC689-45571-00-00	REC664-45631-00	REC648-45633-00	REC689-45611-00		
20D	1988	1998					REC648-45633-00	REC6L2-45611-00		
20D MHOL 20D MHOS 20D WOL 20D WOS	2001	>					REC648-45633-00	REC6L2-45611-00		
F20A	1998	1999	REC61N-45551-00	REC61N-45560-00	REC61N-45570-00	REC664-45631-00	REC648-45633-00	REC6L2-45611-00	REC61N-45510-10 L 21,6"	PAF25-04070000
F20A E F20A EH	2000	2000	REC61N-45551-00	REC61N-45560-00	REC61N-45570-00	REC664-45631-00	REC648-45633-00	REC6L2-45611-00	REC61N-45510-00 S 16,6"	PAF25-04070000
F20A EH	2000	2000	REC61N-45551-00	REC61N-45560-00	REC61N-45570-00	REC664-45631-00	REC648-45633-00	REC6L2-45611-00	REC61N-45510-00 S 16,6"	PAF25-04070000
F20A EL	2001	2001	REC61N-45551-00	REC61N-45560-00	REC61N-45570-00	REC664-45631-00	REC648-45633-00	REC6L2-45611-00	REC61N-45510-10 L 21,6"	PAF25-04070000
F20A ES	2006	2006	REC61N-45551-00	REC61N-45560-00	REC61N-45570-00	REC664-45631-00	REC648-45633-00	REC6L2-45611-00	REC61N-45510-10 L 21,6"	PAF25-04070000
F20A ET	2000	2000	REC61N-45551-00	REC61N-45560-00	REC61N-45570-00	REC664-45631-00	REC648-45633-00	REC6L2-45611-00	REC61N-45510-00 S 16,6"	PAF25-04070000
F20A ETL	2006	2006	REC61N-45551-00	REC61N-45560-00	REC61N-45570-00	REC664-45631-00	REC648-45633-00	REC6L2-45611-00	REC61N-45510-10 L 21,6"	PAF25-04070000
F20A MH	2000	2000	REC61N-45551-00	REC61N-45560-00	REC61N-45570-00	REC664-45631-00	REC648-45633-00	REC6L2-45611-00	REC61N-45510-00 S 16,6"	PAF25-04070000
F20A MHL	2000	2000	REC61N-45551-00	REC61N-45560-00	REC61N-45570-00	REC664-45631-00	REC648-45633-00	REC6L2-45611-00	REC61N-45510-10 L 21,6"	PAF25-04070000
F20A MHS	2001	2001	REC61N-45551-00	REC61N-45560-00	REC61N-45570-00	REC664-45631-00	REC648-45633-00	REC6L2-45611-00	REC61N-45510-10 L 21,6"	PAF25-04070000
25B	1994	1995	REC6K5-45551-00	REC6K5-45560-00		REC664-45631-00	REC648-45633-00	REC697-45611-00		REC688-45331-00-94
25B MHL	2001	2006	REC61N-45551-00	REC61N-45560-00	REC61N-45570-00	REC664-45631-00	REC648-45633-00	REC6L2-45611-00	REC61N-45510-10 L 21,6"	PAF25-04070000
25B MHS	2001	2006	REC61N-45551-00	REC61N-45560-00	REC61N-45570-00	REC664-45631-00	REC648-45633-00	REC6L2-45611-00	REC61N-45510-00 S 16,6"	PAF25-04070000
25B WCS	2001	2002	REC61N-45551-00	REC61N-45560-00	REC61N-45570-00	REC664-45631-00	REC648-45633-00	REC6L2-45611-00	REC61N-45510-10 L 21,6"	PAF25-04070000
25D	1985	1987	REC689-45551-00	REC689-45560-00	REC689-45571-00-00	REC664-45631-00	REC648-45633-00	REC689-45611-00		PAF25-04070000
25D M	1990	1997	REC689-45551-00	REC689-45560-00	REC689-45571-00-00	REC664-45631-00	REC648-45633-00	REC689-45611-00		PAF25-04070000
25D MH	1998	1998	REC689-45551-00	REC689-45560-00	REC689-45571-00-00	REC664-45631-00	REC648-45633-00		REC689-45501-10 L	PAF25-04070000
25D MHL 25D MHS	2001	2001	REC689-45551-00	REC689-45560-00	REC689-45571-00-00	REC664-45631-00	REC648-45633-00			PAF25-04070000
25J	1987	1991					REC648-45633-00			PAF25-04070000
25J	1992	2000					REC648-45633-00			PAF25-04070000

MODELO MODEL MODELLO	DESDE FROM DELL' ANNO	HASTA TO ALL' ANNO	PIÑÓN ATAQUE GEAR PIGNONE INNESTO	PIÑÓN AVANTE GEAR FORWARD PIGNONE MARCIA AVANTI	PIÑÓN M. ATRÁS GEAR REVERSE PIGNONE MAR. INDIETRO	PIÑÓN M. ATRÁS GEAR REVERSE PIGNONE MAR. INDIETRO	MUELLE SPRING MOLLA	EJE HÉLICE PROPELLER SHAFT ASSE ELICA	EJE VERTICAL DRIVESHAFT ASSEMBLY ASSE VERT.	DIÁBOLO CARRIER COP. CASSA INGRANAGGI
40V MO	2000	2000	REC6H4-45551-00	REC6H4-45560-00	REC6H4-45570-00		REC663-45633-00			REC63D-45361-02-4D
40X	1998	1998	REC66T-45551-00	REC66T-45560-00	REC66T-45571-00	REC66T-45631-00	REC663-45633-00	REC66T-45611-00	REC66T-45501-10	REC63D-45361-02-4D
40X MH	2000	2000	REC66T-45551-00	REC66T-45560-00	REC66T-45571-00	REC66T-45631-00	REC663-45633-00	REC66T-45611-00	REC66T-45501-10	REC63D-45361-02-4D
40X MHL	2001	2006	REC66T-45551-00	REC66T-45560-00	REC66T-45571-00	REC66T-45631-00	REC663-45633-00	REC66T-45611-00	REC66T-45501-10	REC63D-45361-02-4D
40X MHS	2001	2002	REC66T-45551-00	REC66T-45560-00	REC66T-45571-00	REC66T-45631-00	REC663-45633-00	REC66T-45611-00	REC66T-45501-01	REC63D-45361-02-4D
40X W	2000	2000	REC66T-45551-00	REC66T-45560-00	REC66T-45571-00	REC66T-45631-00	REC663-45633-00	REC66T-45611-00	REC66T-45501-10	REC63D-45361-02-4D
40X WL	2001	2001	REC66T-45551-00	REC66T-45560-00	REC66T-45571-00	REC66T-45631-00	REC663-45633-00	REC66T-45611-00	REC66T-45501-10	REC63D-45361-02-4D
40X WS	2000	2000	REC66T-45551-00	REC66T-45560-00	REC66T-45571-00	REC66T-45631-00	REC663-45633-00	REC66T-45611-00	REC66T-45501-10	REC63D-45361-02-4D
40X WT	2000	2000	REC66T-45551-00	REC66T-45560-00	REC66T-45571-00	REC66T-45631-00	REC663-45633-00	REC66T-45611-00	REC66T-45501-10	REC63D-45361-02-4D
40X WTL	2001	2003	REC66T-45551-00	REC66T-45560-00	REC66T-45571-00	REC66T-45631-00	REC663-45633-00	REC66T-45611-00	REC66T-45501-10	REC63D-45361-02-4D
40Y ETOL	2001	2006	REC6H4-45551-00	REC6H4-45560-00	REC6H4-45570-00		REC663-45633-00			REC63D-45361-02-4D
40Y MHOS										
E40G MH	2003	2003	REC6F5-45551-00	REC6F5-45560-00	REC6F5-45570-00	REC663-45631-00	REC663-45633-00	REC6F6-45611-00	REC676-45501-10 L	REC676-45361-00
E40G MHL	2003	2003	REC6F5-45551-00	REC6F5-45560-00	REC6F5-45570-00	REC663-45631-00	REC663-45633-00	REC6F6-45611-00		REC676-45361-00
E40G MHS	2003	2003	REC6F5-45551-00	REC6F5-45560-00	REC6F5-45570-00	REC663-45631-00	REC663-45633-00	REC6F6-45611-00	REC676-45501-10 L	REC676-45361-00
F40A	1999	1999	REC6H4-45551-00	REC6H4-45560-00	REC6H4-45570-00		REC663-45633-00		REC67C-45501-00 S 16,1"	REC63D-45361-02-4D
F40A ED	1999	1999	REC6K5-45551-00	REC6K5-45560-00	REC6K5-45570-00		REC688-45633-00		REC67C-45501-00 S 16,1"	REC63D-45361-02-4D
F40A EDL	2001	2001	REC6H4-45551-00	REC6H4-45560-00	REC6H4-45570-00		REC688-45633-00		REC67C-45501-10 L 21"	REC63D-45361-02-4D
F40A ET	1999	1999	REC6K5-45551-00	REC6K5-45560-00	REC6K5-45570-00	REC688-45631-00	REC688-45633-00	REC688-45611-00		REC688-45331-00-94
F40A ETL	2001	2002	REC6H4-45551-00	REC6H4-45560-00	REC6H4-45570-00		REC688-45633-00			REC63D-45361-02-4D
F40A ED	1999	1999	REC6H4-45551-00	REC6H4-45560-00	REC6H4-45570-00	REC688-45631-00	REC663-45633-00	REC688-45611-00		REC688-45331-00-94
F40B ED	2000	2001	REC66T-45551-00	REC66T-45560-00	REC66T-45571-00	REC66T-45631-00		REC66T-45611-00	REC67C-45501-00 S 16,1"	REC63D-45361-02-4D
F40B EDL	2001	2006	REC66T-45551-00	REC66T-45560-00	REC66T-45571-00	REC66T-45631-00		REC66T-45611-00	REC67C-45501-10 L 21"	REC63D-45361-02-4D
F40B EDS	2001	2002	REC66T-45551-00	REC66T-45560-00	REC66T-45571-00	REC66T-45631-00		REC66T-45611-00	REC67C-45501-00 S 16,1"	REC63D-45361-02-4D
F40B ET	2000	2001	REC66T-45551-00	REC66T-45560-00	REC66T-45571-00	REC66T-45631-00		REC66T-45611-00	REC67C-45501-10 L 21"	REC63D-45361-02-4D
E40B ETL	2001	2006	REC66T-45551-00	REC66T-45560-00	REC66T-45571-00	REC66T-45631-00		REC66T-45611-00	REC67C-45501-10 L 21"	REC63D-45361-02-4D
F40B ETS	2001	2006	REC66T-45551-00	REC66T-45560-00	REC66T-45571-00	REC66T-45631-00		REC66T-45611-00	REC67C-45501-00 S 16,1"	REC63D-45361-02-4D
F40B MHD	2000	2000	REC66T-45551-00	REC66T-45560-00	REC66T-45571-00	REC66T-45631-00		REC66T-45611-00	REC67C-45501-00 S 16,1"	REC63D-45361-02-4D
F40B MHDL	2001	2006	REC66T-45551-00	REC66T-45560-00	REC66T-45571-00	REC66T-45631-00		REC66T-45611-00	REC67C-45501-10 L 21"	REC63D-45361-02-4D
F40B MHDS	2001	2006	REC66T-45551-00	REC66T-45560-00	REC66T-45571-00	REC66T-45631-00		REC66T-45611-00	REC67C-45501-00 S 16,1"	REC63D-45361-02-4D
F45A	1996	1999	REC6K5-45551-00	REC6K5-45560-00	REC6K5-45570-00	REC688-45631-00	REC688-45633-00	REC688-45611-00		REC688-45331-00-94
F45A ED	2000	2000	REC6K5-45551-00	REC6K5-45560-00	REC6K5-45570-00	REC688-45631-00	REC688-45633-00	REC688-45611-00		REC688-45331-00-94
F45A ET	1984	1990	REC6H4-45551-00	REC6H4-45560-00	REC6H4-45570-00	REC6H4-45631-00	REC663-45633-00	REC679-45611-00		
50D	1991	1993	REC6H4-45551-00	REC6H4-45560-00	REC663-45631-00	REC6H4-45631-00	REC663-45633-00	REC679-45611-00		
50G	1993	1998	REC6K5-45551-00	REC6K5-45560-00		REC663-45631-00	REC688-45633-00	REC697-45611-00		REC688-45331-00-94
50G ETO	2000	2000	REC6K5-45551-00	REC6K5-45560-00		REC663-45631-00	REC688-45633-00	REC697-45611-00		REC688-45331-00-94
50G ETOL	2001	2006	REC6K5-45551-00	REC6K5-45560-00		REC663-45631-00	REC688-45633-00	REC697-45611-00		REC688-45331-00-94
50H	1995	1998	REC6H4-45551-00	REC6H4-45560-00	REC6H4-45570-00		REC663-45633-00			REC63D-45361-02-4D
50H EDO	2000	2000	REC6H4-45551-00	REC6H4-45560-00	REC6H4-45570-00		REC663-45633-00			REC63D-45361-02-4D
50H EDOL	2001	2002	REC6H4-45551-00	REC6H4-45560-00	REC6H4-45570-00		REC663-45633-00			REC63D-45361-02-4D
50H EDOS										
50H MDO	2000	2000	REC6H4-45551-00	REC6H4-45560-00	REC6H4-45570-00		REC663-45633-00			REC63D-45361-02-4D
50H MO										
F50A	1995	1995	REC6H4-45551-00	REC6H4-45560-00	REC6H4-45570-00		REC663-45633-00			REC63D-45361-02-4D
F50A ED	2000	2000	REC6K5-45551-00	REC6K5-45560-00	REC6K5-45570-00		REC663-45633-00	REC688-45611-00		REC63D-45361-02-4D
F50A EDL	2001	2006	REC6H4-45551-00	REC6H4-45560-00			REC688-45633-00			REC63D-45361-02-4D
F50A ET	2000	2000	REC6K5-45551-00	REC6K5-45560-00	REC6K5-45570-00		REC663-45633-00	REC688-45611-00		REC63D-45361-02-4D
F50A ETL	2001	2006	REC6H4-45551-00	REC6H4-45560-00			REC688-45633-00			REC63D-45361-02-4D
F50B	1996	1997	REC6K5-45551-00	REC6K5-45560-00	REC6K5-45570-00	REC688-45631-00	REC688-45633-00			
F50B	1998	1999	REC6K5-45551-00	REC6K5-45560-00	REC6K5-45570-00					REC688-45331-00-94
F50B ET	2000	2000	REC6K5-45551-00	REC6K5-45560-00	REC6K5-45570-00	REC688-45631-00	REC663-45633-00	REC688-45611-00		REC688-45331-00-94
FT50B	1998	1999	REC6K5-45551-00	REC6K5-45560-00	REC6K5-45570-00	REC688-45631-00	REC688-45633-00	REC688-45611-00		REC688-45331-00-94
FT50B ETL	2001	2002					REC688-45633-00			REC63D-45361-02-4D
FT50C ETL	2002	2006		REC67F-45560-00			REC688-45633-00			
FT50G ETL	2005	2006	REC6K5-45551-00	REC6K5-45560-00			REC688-45633-00			
55B	1993	1998	REC697-45551-00	REC697-45560-00	REC697-45571-00-00	REC663-45631-00	REC663-45633-00	REC697-45611-00	REC663-45510-01 S	REC663-45331-00-94
55B E	1990	1991	REC697-45551-00	REC697-45560-00	REC697-45571-00-00	REC663-45631-00	REC663-45633-00	REC697-45611-00	REC663-45510-01 S	REC663-45331-00-94
55B E	1992	1992	REC697-45551-00	REC697-45560-00	REC697-45571-00-00	REC663-45631-00	REC663-45633-00	REC697-45611-00	REC663-45510-01 S	REC663-45331-00-94
55B EHD	2000	2000	REC697-45551-00	REC697-45560-00	REC697-45571-00-00	REC663-45631-00	REC663-45633-00	REC697-45611-00	REC663-45510-01 S	
55B ET										
55B ETL	2001	2002	REC697-45551-00	REC697-45560-00	REC697-45571-00-00	REC663-45631-00	REC663-45633-00	REC697-45611-00		REC663-45331-00-94
60F	1984	1998	REC6K5-45551-00	REC6K5-45560-00		REC663-45631-00	REC688-45633-00	REC697-45611-00		REC688-45331-00-94
60F EO										
60F ETO	2000	2000	REC6K5-45551-00	REC6K5-45560-00		REC663-45631-00	REC688-45633-00	REC697-45611-00		REC688-45331-00-94

MODELO MODEL MODELLO	DESDE FROM DELL ANNO	HASTA TO ALL ANNO	PIÑÓN ATAQUE GEAR PIGNONE INNESTO	PIÑÓN AVANTE GEAR FORWARD PIGNONE MARCIA AVANTI	PIÑÓN M. ATRÁS GEAR REVERSE PIGNONE MAR. INDIETRO	PIÑÓN M. ATRÁS GEAR REVERSE PIGNONE MAR. INDIETRO	MUELLE SPRING MOLLA	EJE HÉLICE PROPELLER SHAFT ASSE ELICA	EJE VERTICAL DRIVESHAF ASSEMBLY ASSE VERT.	DIÁBOLO CARRIER COP. CASSA INGRANAGGI
60F ETOL	2001	2006	REC6K5-45551-00	REC6K5-45560-00		REC663-45631-00	REC688-45633-00	REC697-45611-00		REC688-45331-00-94
E60H MHD	2001	2006	REC6K5-45551-00	REC6K5-45560-00		REC6H1-45631-01	REC688-45633-00	REC6H1-45611-00	REC69D-45501-10 L 22.5"	REC688-45331-00-94
FT60B ETL	2003	2006	REC6K5-45551-00	REC6K5-45560-00			REC688-45633-00			
FT60D ETL	2005	2006	REC6K5-45551-00	REC6K5-45560-00			REC688-45633-00			
70B	1984	1998	REC6K5-45551-00	REC6K5-45560-00		REC663-45631-00	REC688-45633-00	REC697-45611-00		REC688-45331-00-94
70B EDOL	2001	2001	REC6K5-45551-00	REC6K5-45560-00			REC688-45633-00	REC697-45611-00		REC688-45331-00-94
70B EO	2000	2000	REC6K5-45551-00	REC6K5-45560-00		REC663-45631-00	REC688-45633-00	REC697-45611-00		REC688-45331-00-94
70B ETO	2001	2006	REC6K5-45551-00	REC6K5-45560-00		REC663-45631-00	REC688-45633-00	REC697-45611-00		REC688-45331-00-94
75A	1990	1998	REC688-45551-00	REC688-45560-00	REC688-45571-00-00	REC688-45631-00	REC688-45633-00	REC688-45611-00	REC688-45501-11 L 20.3"	REC688-45331-00-94
75A E	1990	2000	REC688-45551-00	REC688-45560-00	REC688-45571-00-00	REC688-45631-00	REC688-45633-00	REC688-45611-00	REC688-45501-10 S	REC688-45331-00-94
75A EDL	2001	2006	REC688-45551-00	REC688-45560-00	REC688-45571-00-00	REC688-45631-00	REC688-45633-00	REC688-45611-00	REC688-45501-10 S	REC688-45331-00-94
75A EM	1992	1993	REC688-45551-00	REC688-45560-00	REC688-45571-00-00	REC688-45631-00	REC688-45633-00	REC688-45611-00	REC688-45501-11 L 20.3"	REC688-45331-00-94
75A ET	2000	2000	REC688-45551-00	REC688-45560-00	REC688-45571-00-00	REC688-45631-00	REC688-45633-00	REC688-45611-00	REC688-45501-11 L 20.3"	REC688-45331-00-94
75A ETL	2001	2002	REC688-45551-00	REC688-45560-00	REC688-45571-00-00	REC688-45631-00	REC688-45633-00	REC688-45611-00	REC688-45501-11 L 20.3"	REC688-45331-00-94
75A MHD	2000	2000	REC688-45551-00	REC688-45560-00	REC688-45571-00-00	REC688-45631-00	REC688-45633-00	REC688-45611-00	REC688-45501-11 L 20.3"	REC688-45331-00-94
75C ETO	2000	2000	REC688-45551-00	REC688-45560-00	REC688-45571-00-00		REC688-45633-00	REC6H1-45611-00		REC688-45331-00-94
75C ETOL	2001	2006	REC688-45551-00	REC688-45560-00	REC688-45571-00-00		REC688-45633-00	REC6H1-45611-00		REC688-45331-00-94
80A	1985	1996	REC688-45551-00	REC688-45560-00	REC688-45571-00-00	REC6H1-45631-01	REC688-45633-00	REC6H1-45611-00		REC688-45331-00-94
F80A	1999	1999		REC67F-45560-00	REC67F-45570-00		REC688-45633-00		REC67F-45501-10 L 21.1"	
F80A ET	2000	2000		REC67F-45560-00	REC67F-45570-00		REC688-45633-00		REC67F-45501-10 L 21.1"	
F80A ETL	2001	2006		REC67F-45560-00	REC67F-45570-00		REC688-45633-00	REC67F-45611-01	REC67F-45501-10 L 21.1"	
F80A ETX	2001	2001		REC67F-45560-00	REC67F-45570-00		REC688-45633-00	REC67F-45611-01	REC67F-45501-10 L 21.1"	
F80B ETL	2005	2006		REC67F-45560-00	REC67F-45570-00		REC688-45633-00	REC67F-45611-01	REC67F-45501-10 L 21.1"	
85A	1996	1998	REC688-45551-00	REC688-45560-00	REC688-45571-00-00	REC688-45631-00	REC688-45633-00	REC688-45611-00	REC688-45501-10 S	REC688-45331-00-94
85A E	1990	2000	REC688-45551-00	REC688-45560-00	REC688-45571-00-00	REC688-45631-00	REC688-45633-00	REC688-45611-00	REC688-45501-10 S	REC688-45331-00-94
85A ET	2000	2000	REC688-45551-00	REC688-45560-00	REC688-45571-00-00	REC688-45631-00	REC688-45633-00	REC688-45611-00	REC688-45501-10 S	REC688-45331-00-94
85A ETL	2001	2002	REC688-45551-00	REC688-45560-00	REC688-45571-00-00	REC688-45631-00	REC688-45633-00	REC688-45611-00	REC688-45501-11 L 20.3"	REC688-45331-00-94
90A	1984	1998	REC688-45551-00	REC688-45560-00	REC688-45571-00-00	REC6H1-45631-01	REC688-45633-00	REC6H1-45611-00		REC688-45331-00-94
90A ETO	2000	2000	REC688-45551-00	REC688-45560-00	REC688-45571-00-00	REC6H1-45631-01	REC688-45633-00	REC6H1-45611-00		REC688-45331-00-94
90A ETOL	2001	2006	REC688-45551-00	REC688-45560-00	REC688-45571-00-00	REC6H1-45631-01	REC688-45633-00	REC6H1-45611-00		REC688-45331-00-94
100A	1998	1998	REC6E5-45551-00	REC6E5-45560-00	REC6E5-45570-00	REC6E5-45631-00	REC6E5-45633-01	REC6E5-45611-00	REC6E5-45501-01 L 20.3"	REC6E5-45331-00-94
100A ETO	2000	2000	REC6E5-45551-00	REC6E5-45560-00	REC6E5-45570-00	REC6E5-45631-00	REC6E5-45633-01	REC6E5-45611-00	REC6E5-45501-01 L 20.3"	REC6E5-45331-00-94
100A ETOL	2001	2001	REC6E5-45551-00	REC6E5-45560-00	REC6E5-45570-00	REC6E5-45631-00	REC6E5-45633-01	REC6E5-45611-00		REC6E5-45331-00-94
F100A	1999	1999		REC67F-45560-00	REC67F-45570-00		REC688-45633-00	REC67F-45611-01	REC67F-45501-10 L 21.1"	
F100A ET	2000	2000		REC67F-45560-00	REC67F-45570-00		REC688-45633-00	REC67F-45611-01	REC67F-45501-10 L 21.1"	
F100A ETL	2001	2006		REC67F-45560-00	REC67F-45570-00		REC688-45633-00	REC67F-45611-01		
F100A ETX	2001	2001		REC67F-45560-00	REC67F-45570-00		REC688-45633-00	REC67F-45611-01		
F100B ETX	2005	2006					REC6E5-45633-01	REC6E5-45611-00		REC6E5-45331-00-94
F100D ETL	2005	2006					REC688-45633-00			
115A	1984	1987	REC6E5-45551-00	REC6E5-45560-00	REC6E5-45570-00	REC6E5-45631-00	REC6E5-45633-01	REC6E5-45611-00	REC6E5-45501-01 L 20.3"	REC6E5-45331-00-94
115B	1988	1995	REC6E5-45551-00	REC6E5-45560-00	REC6E5-45570-00	REC6E5-45631-00	REC6E5-45633-01	REC6E5-45611-00	REC6E5-45501-01 L 20.3"	REC6E5-45331-00-94
115B	1996	1996	REC6E5-45551-00	REC6E5-45560-00	REC6E5-45570-00	REC6E5-45631-00	REC6E5-45633-01	REC6E5-45611-00	REC6E5-45501-01 L 20.3"	REC6E5-45331-00-94
155B ETO	1997	1998	REC6E5-45551-00	REC6E5-45560-00	REC6E5-45570-00	REC6E5-45631-00	REC6E5-45633-01	REC6E5-45611-00		REC6E5-45331-00-94
115B ETO	1999	2000	REC6E5-45551-00	REC6E5-45560-00	REC6E5-45570-00	REC6E5-45631-00	REC6E5-45633-01	REC6E5-45611-00	REC6E5-45501-01 L 20.3"	REC6E5-45331-00-94
115B ETOL	2001	2002	REC6E5-45551-00	REC6E5-45560-00	REC6E5-45570-00	REC6E5-45631-00	REC6E5-45633-01	REC6E5-45611-00		REC6E5-45331-00-94
115C	1990	1995	REC6E5-45551-00	REC6E5-45560-00	REC6E5-45570-00	REC6E5-45631-00	REC6E5-45633-01	REC6E5-45611-00	REC6E5-45501-01 L 20.3"	REC6E5-45331-00-94
115C	1995	1998	REC6E5-45551-00	REC6E5-45560-00	REC6E5-45570-00	REC6E5-45631-00	REC6E5-45633-01	REC6E5-45611-00	REC6E5-45501-01 L 20.3"	
115C ETO	2000	2000	REC6E5-45551-00	REC6E5-45560-00	REC6E5-45570-00	REC6E5-45631-00	REC6E5-45633-01	REC6E5-45611-00		REC6E5-45331-00-94
115C ETOL	2001	2006	REC6E5-45551-00	REC6E5-45560-00	REC6E5-45570-00	REC6E5-45631-00	REC6E5-45633-01	REC6E5-45611-00		REC6E5-45331-00-94
115C ETOX	2001	2002	REC6E5-45551-00	REC6E5-45560-00	REC6E5-45570-00	REC6E5-45631-00	REC6E5-45633-01	REC6E5-45611-00		REC6E5-45331-00-94

MODELO MODEL MODELLO	DESDE FROM DELL' ANNO	HASTA TO ALL' ANNO	PIÑÓN ATAQUE GEAR PIGNONE INNESTO	PIÑÓN AVANTE GEAR FORWARD PIGNONE MARCIA AVANTI	PIÑÓN M. ATRÁS GEAR REVERSE PIGNONE MAR. INDIETRO	PIÑÓN M. ATRÁS GEAR REVERSE PIGNONE MAR. INDIETRO	MUELLE SPRING MOLLA	EJE HÉLICE PROPELLER SHAFT ASSE ELICA	EJE VERTICAL DRIVESHAFT ASSEMBLY ASSE VERT.	DIÁBOLO CARRIER COP. CASSA INGRANAGGI
200B	1990	1995	REC6G5-45551-00	REC6G5-45560-00	REC6G5-45571-00	REC6G5-45631-00	REC6E5-45633-01	REC6J9-45611-00	REC6G5-45501-21 XL 25,3"	REC6J9-45332-00-CA
200F	1996	1998	REC6G5-45551-00	REC6G5-45560-00	REC6G5-45571-00	REC6G5-45631-00	REC6E5-45633-01	REC6J9-45611-00	REC6G5-45501-21 XL 25,3"	REC6J9-45332-00-CA
200F ETO	2000	2000	REC6G5-45551-00	REC6G5-45560-00	REC6G5-45571-00	REC6G5-45631-00	REC6E5-45633-01	REC6J9-45611-00	REC6G5-45501-21 XL 25,3"	REC6J9-45332-00-CA
200F ETOL 200F ETOX	2001	2006	REC6G5-45551-00	REC6G5-45560-00	REC6G5-45571-00	REC6G5-45631-00	REC6E5-45633-01	REC6J9-45611-00	REC6G5-45501-21 XL 25,3"	REC6J9-45332-00-CA
200G	1999	1999				REC6G5-45631-00	REC6E5-45633-01	REC6J9-45611-00		REC6J9-45332-00-CA
200G ETO	2000	2000				REC6G5-45631-00	REC6E5-45633-01	REC6J9-45611-00		REC6J9-45332-00-CA
200G ETOL	2001	2003				REC6G5-45631-00	REC6E5-45633-01	REC6J9-45611-00	REC6G5-45501-21 XL 25,3"	REC6J9-45332-00-CA
F200A ETX	2002	2006				REC6J9-45631-00	REC61A-45633-00	REC6J9-45611-00		
F200C ETX	2006	2006				REC6J9-45631-00	REC61A-45633-00	REC6J9-45611-00		
FL200A ETX	2002	2006				REC6J9-45631-00	REC61A-45633-00	REC6J9-45611-00		
FL200C ETX	2006	2006				REC6J9-45631-00	REC61A-45633-00	REC6J9-45611-00		
L200A	1988	1989	REC6G5-45551-00	REC6G5-45560-00	REC6G5-45571-00	REC6G5-45631-00	REC6E5-45633-01			
L200B	1990	1994	REC6G5-45551-00	REC6G5-45560-00	REC6G5-45571-00	REC6G5-45631-00	REC6E5-45633-01	REC6J9-45611-00	REC6G5-45501-21 XL 25,3"	REC6J9-45332-00-CA
L200B	1995	1995	REC6G5-45551-00	REC6G5-45560-00	REC6G5-45571-00	REC6E5-45631-00	REC6E5-45633-01	REC6J9-45611-00	REC6G5-45501-21 XL 25,3"	REC6J9-45332-00-CA
L200F	1996	1998	REC6G5-45551-00	REC6G5-45560-00	REC6G5-45571-00	REC6G5-45631-00	REC6E5-45633-01	REC6J9-45611-00	REC6G5-45501-21 XL 25,3"	REC6J9-45332-00-CA
L200F ETO	2000	2000	REC6G5-45551-00	REC6G5-45560-00	REC6G5-45571-00	REC6G5-45631-00	REC6E5-45633-01	REC6J9-45611-00	REC6G5-45501-21 XL 25,3"	REC6J9-45332-00-CA
L200F ETOL	2001	2006	REC6G5-45551-00	REC6G5-45560-00	REC6G5-45571-00	REC6G5-45631-00	REC6E5-45633-01	REC6J9-45611-00	REC6G5-45501-21 XL 25,3"	REC6J9-45332-00-CA
FL200F ETOX	2001	2001	REC6G5-45551-00	REC6G5-45560-00	REC6G5-45571-00	REC6G5-45631-00	REC6E5-45633-01	REC6J9-45611-00	REC6G5-45501-21 XL 25,3"	REC6J9-45332-00-CA
LZ200N ETC	2001	2007	REC6G5-45551-00	REC6G5-45560-00	REC6G5-45571-00	REC6G5-45631-00	REC6E5-45633-01	REC6J9-45611-00	REC6G5-45501-21 XL 25,3"	REC6J9-45332-00-CA
Z200N ETO	2000	2000	REC6G5-45551-00	REC6G5-45560-00	REC6G5-45571-00	REC6G5-45631-00	REC6E5-45633-01	REC6J9-45611-00	REC6G5-45501-21 XL 25,3"	REC6J9-45332-00-CA
Z200N ETOL	2001	2006	REC6G5-45551-00	REC6G5-45560-00	REC6G5-45571-00	REC6G5-45631-00	REC6E5-45633-01	REC6J9-45611-00	REC6G5-45501-21 XL 25,3"	REC6J9-45332-00-CA
Z200N ETOX	2001	2006	REC6G5-45551-00	REC6G5-45560-00	REC6G5-45571-00	REC6G5-45631-00	REC6E5-45633-01	REC6J9-45611-00	REC6G5-45501-21 XL 25,3"	REC6J9-45332-00-CA
Z200P ETOL	2003	2006	REC6G5-45551-00	REC6G5-45560-00	REC6G5-45571-00	REC6G5-45631-00	REC6E5-45633-01	REC6J9-45611-00		REC6J9-45332-00-CA
220A	1984	1986				REC6G5-45631-00	REC6E5-45633-01	REC6E5-45611-00	REC6G5-45501-21 XL 25,3"	REC6J9-45332-00-CA
225A	1987	1989					REC6E5-45633-01	REC6J9-45611-00	REC6G5-45501-21 XL 25,3"	REC6J9-45332-00-CA
225B	1990	1994				REC6G5-45631-00	REC6E5-45633-01	REC6J9-45611-00	REC6G5-45501-21 XL 25,3"	REC6J9-45332-00-CA
225B	1995	1995				REC6G5-45631-00	REC6E5-45633-01	REC6J9-45611-00	REC6G5-45501-21 XL 25,3"	REC6J9-45332-00-CA
225D	1996	1998				REC6G5-45631-00	REC6E5-45633-01	REC6E5-45611-00	REC6G5-45501-21 XL 25,3"	REC6J9-45332-00-CA
225D ETO	2000	2000				REC6G5-45631-00	REC6E5-45633-01	REC6J9-45611-00	REC6G5-45501-21 XL 25,3"	REC6J9-45332-00-CA
225D ETOL 225D ETOX	2001	2003				REC6G5-45631-00	REC6E5-45633-01	REC6J9-45611-00	REC6G5-45501-21 XL 25,3"	REC6J9-45332-00-CA
225G ETOL	2001	2003				REC6G5-45631-00	REC6E5-45633-01	REC6J9-45611-00		REC6J9-45332-00-CA









GUÍA RODAMIENTOS COLA STERN DRIVE BEARING APPLICATIONS GUIDA CUSCINETTI TRASMISSIONE









MODELO MODEL MODELLO	DESDE FROM DELL' ANNO	HASTA TO ALL' ANNO	AGUJA EJE COLA CYLIND. DRIVE SHAFT CUSCINETTO INF. ASSE VERT.	RODILLOS EJE VERT. ROLL BEAR DRIVE SHAFT CUS. INTERNO ASSE VERTICALE	PIÑÓN ATAQUE ROLL. BEARING GEAR CUS. PIGNONE INNESTO	AGUJAS DIÁBOLO CYL. CARRIER CUS. RULLI PER COP. CASSA INGRANAGGI	AGUJAS M. AVAN CYL. GEAR FW CUS. A RULLI FIG. M. AVANTI	ROD. PIÑÓN M. AVAN. ROLL BEAR GEAR FW CUS. CONICI FIG. M. AVANTI	AGUJAS M. ATRÁS CYL. GEAR R.V. CUS. CONICI FIG. M. INDIETRO	PIÑÓN M. ATRÁS BALLS GEAR R.V. CUS. PIGNONE M. INDIETRO
F8A	1986	1989								
F8B	1985	1999	REC93315-314V8		REC93341-214U1	REC93315-317U2		REC93332-00005		REC93306-00501
F8B E F8B EH F8B MH	1999	1999	REC93315-314V8		REC93341-41414	REC93315-317U2		REC93332-00005		REC93306-00501
FT8D EL FT8D EPL	2001	2004	REC93315-314V8		REC93341-41414	REC93315-317U2		REC93332-00005		REC93306-00501
FT8D EPX FT8D EX FT8D MHL FT8D MHX	2001	2004	REC93315-314V8		REC93341-41414	REC93315-317U2		REC93332-00005		REC93306-00501
9.9D	1985	1989	REC93315-314V8		REC93341-41414	REC93315-317U2		REC93332-00005		REC93306-00501
9.9D	1985	1995	REC93315-314V8		REC93341-214U1	REC93315-317U2		REC93332-00005		REC93306-00501
9.9D	1990	1995	REC93315-314V8		REC93341-41414	REC93315-317U2		REC93332-00005		REC93306-00519
9.9F	1995	1999	REC93315-314V8		REC93341-41414	REC93315-317U2		REC93332-00005		REC93306-00501
9.9F MH	2000	2000	REC93315-314V8		REC93341-41414	REC93315-317U2		REC93332-00005		REC93306-00501









MODELO MODEL MODELLO	DESDE FROM DELL' ANNO	HASTA TO ALL' ANNO	AGUJA EJE COLA CYLIND. DRIVE SHAFT CUSCINETTO INF. ASSE VERT.	RODILLOS EJE VERT. ROLL BEAR DRIVE SHAFT CUS. INTERNO ASSE VERTICALE	PIÑÓN ATAQUE ROLL. BEARING GEAR CUS. PIGNONE INNESTO	AGUJAS DIABOLO CYL. CARRIER CUS. RULLI PER COP. CASSA INGRANAGGI	AGUJAS M. AVAN CYL. GEAR FW CUS. A RULLI PIG. M. AVANTI	ROD. PIÑÓN M. AVAN. ROLL BEAR GEAR FW CUS. CONICI PIG. M. AVANTI	AGUJAS M. ATRÁS CYL. GEAR R.V. CUS. CONICI PIG. M. INDIETRO	PIÑÓN M. ATRÁS BALLS GEAR R.V. CUS. PIGNONE M. INDIETRO
9.9F MHL	2001	2006	REC93315-314V8		REC93341-41414	REC93315-317U2		REC93332-00005		REC93306-00501
9.9F MHS										
9.9F WC	2000	2000	REC93315-314V8		REC93341-41414	REC93315-317U2		REC93332-00005		REC93306-00501
9.9F WH										
9.9F WHL	2001	2001	REC93315-314V8		REC93341-41414	REC93315-317U2		REC93332-00005		REC93306-00501
9.9F WHS										
F9.9B	1985	1997	REC93315-314V8		REC93341-214U1	REC93315-317U2		REC93332-00005		REC93306-00501
F9.9B E										
F9.9B EH	1999	1999	REC93315-314V8		REC93341-41414	REC93315-317U2		REC93332-00005		REC93306-00501
F9.9B MH										
F9.9C	1998	1998	REC93315-314V8		REC93341-41414	REC93315-317U2		REC93332-00005		REC93306-00501
F9.9C E										
F9.9C EH	2000	2000	REC93315-314V8		REC93341-41414	REC93315-317U2		REC93332-00005		REC93306-00501
F9.9C EL										
F9.9C ES	2001	2006	REC93315-314V8		REC93341-41414	REC93315-317U2		REC93332-00005		REC93306-00501
F9.9C MH	2000	2000	REC93315-314V8		REC93341-41414	REC93315-317U2		REC93332-00005		REC93306-00501
F9.9C MHL	2001	2006	REC93315-314V8		REC93341-41414	REC93315-317U2		REC93332-00005		REC93306-00501
F9.9C MHS										
FT9.9A	1999	1999				REC93315-317U2		REC93332-00005		REC93306-00501
FT9.9D	1999	1999	REC93315-314V8		REC93341-41414	REC93315-317U2		REC93332-00005		REC93306-00501
FT9.9D E										
FT9.9D EH	2000	2000	REC93315-314V8		REC93341-41414	REC93315-317U2		REC93332-00005		REC93306-00501
FT9.9D EHL										
FT9.9D EHX	2001	2001	REC93315-314V8		REC93341-41414	REC93315-317U2		REC93332-00005		REC93306-00501
FT9.9D EL	2001	2006	REC93315-314V8		REC93341-41414	REC93315-317U2		REC93332-00005		REC93306-00501
FT9.9D EP	2000	2000	REC93315-314V8		REC93341-41414	REC93315-317U2		REC93332-00005		REC93306-00501
FT9.9D EPL										
FT9.9D EPX	2001	2002	REC93315-314V8		REC93341-41414	REC93315-317U2		REC93332-00005		REC93306-00501
FT9.9D ES	2001	2001	REC93315-314V8		REC93341-41414	REC93315-317U2		REC93332-00005		REC93306-00501
FT9.9D EX	2001	2006	REC93315-314V8		REC93341-41414	REC93315-317U2		REC93332-00005		REC93306-00501
FT9.9D MH	2000	2000	REC93315-314V8		REC93341-41414	REC93315-317U2		REC93332-00005		REC93306-00501
FT9.9D MHL	2001	2006	REC93315-314V8		REC93341-41414	REC93315-317U2		REC93332-00005		REC93306-00501
FT9.9D MHX	2001	2001	REC93315-314V8		REC93341-41414	REC93315-317U2		REC93332-00005		REC93306-00501
13.5A	1999	1999	REC93315-314V8		REC93341-41414	REC93315-317U2		REC93332-00005		REC93306-00501
13.5A MH	2000	2000	REC93315-314V8		REC93341-41414	REC93315-317U2		REC93332-00005		REC93306-00501
13.5A MHL										
13.5A MHS	2001	2004	REC93315-314V8		REC93341-41414	REC93315-317U2		REC93332-00005		REC93306-00501
13.5A WH	2000	2000	REC93315-314V8		REC93341-41414	REC93315-317U2		REC93332-00005		REC93306-00501
F13.5A EHL	2005	2006	REC93315-314V8			REC93315-317U2		REC93332-00005		REC93306-00501
F13.5A EPL	2005	2005	REC93315-314V8		REC93341-41414	REC93315-317U2		REC93332-00005		REC93306-00501
F13.5A EPS	2005	2005	REC93315-314V8			REC93315-317U2		REC93332-00005		REC93306-00501
F13.5A MH	2001	2001	REC93315-314V8			REC93315-317U2				REC93306-00501
F13.5A MHL										
F13.5A MHS	2002	2006	REC93315-314V8		REC93341-41414	REC93315-317U2		REC93332-00005		REC93306-00501
15D	1985	1989	REC93315-314V8		REC93341-214U1	REC93315-317U2		REC93332-00005		REC93306-00501
15D	1985	1995	REC93315-314V8		REC93341-214U1	REC93315-317U2		REC93332-00005		REC93306-00501
15D	1990	1995	REC93315-314V8		REC93341-41414	REC93315-317U2		REC93332-00005		REC93306-00501
15F	1995	1999	REC93315-314V8		REC93341-41414	REC93315-317U2		REC93332-00005		REC93306-00501
15F MH	2000	2000	REC93315-314V8		REC93341-41414	REC93315-317U2		REC93332-00005		REC93306-00501
15F MHL	2001	2006	REC93315-314V8		REC93341-41414	REC93315-317U2		REC93332-00005		REC93306-00501
15F MHS	2001	2006	REC93315-314V8		REC93341-41414	REC93315-317U2		REC93332-00005		REC93306-00501
15F WC	2000	2000	REC93315-314V8		REC93341-41414	REC93315-317U2		REC93332-00005		REC93306-00501
15F WCL	2001	2003	REC93315-314V8		REC93341-41414	REC93315-317U2		REC93332-00005		REC93306-00501
15F WCS	2001	2002	REC93315-314V8		REC93341-41414	REC93315-317U2		REC93332-00005		REC93306-00501
F15A	1998	1998	REC93315-314V8		REC93341-41414	REC93315-317U2		REC93332-00005		REC93306-00501
F15A E	1998	2000	REC93315-314V8		REC93341-41414	REC93315-317U2		REC93332-00005		REC93306-00501
F15A EH	1998	2000	REC93315-314V8		REC93341-41414	REC93315-317U2		REC93332-00005		REC93306-00501
F15A EHS	2001	2006	REC93315-314V8		REC93341-41414	REC93315-317U2		REC93332-00005		REC93306-00501
F15A EHL	2001	2006	REC93315-314V8		REC93341-41414	REC93315-317U2		REC93332-00005		REC93306-00501
F15A EL	2001	2006	REC93315-314V8		REC93341-41414	REC93315-317U2		REC93332-00005		REC93306-00501
F15A EP	2000	2000	REC93315-314V8		REC93341-41414	REC93315-317U2		REC93332-00005		REC93306-00501
F15A EPL	2001	2006	REC93315-314V8		REC93341-41414	REC93315-317U2		REC93332-00005		REC93306-00501
F15A EPS	2001	2006	REC93315-314V8		REC93341-41414	REC93315-317U2		REC93332-00005		REC93306-00501
F15A ES	2001	2006	REC93315-314V8		REC93341-41414	REC93315-317U2		REC93332-00005		REC93306-00501
F15A MH	1998	2000	REC93315-314V8		REC93341-41414	REC93315-317U2		REC93332-00005		REC93306-00501
F15A MHL	2001	2006	REC93315-314V8		REC93341-41414	REC93315-317U2		REC93332-00005		REC93306-00501
F15A MHS	2001	2006	REC93315-314V8		REC93341-41414	REC93315-317U2		REC93332-00005		REC93306-00501
20C	1985	1985	REC93315-017U4			REC93315-22004		REC93332-00005		REC93306-00612
20C	1986	1993	REC93315-017U4			REC93315-22004		REC93332-00005		REC93306-00612
20C	1993	1993	REC93315-017U4			REC93315-22004		REC93332-00005		REC93306-00612
20C M	1990	1997	REC93315-017U4			REC93315-22004		REC93332-00005		REC93306-00612
20C MH	1998	1998	REC93315-017U4			REC93315-22004		REC93332-00005		REC93306-00612
20C MHL	2001	2002	REC93315-017U4			REC93315-22004		REC93332-00005		REC93306-00612
20C MHS	2001	2002	REC93315-017U4			REC93315-22004		REC93332-00005		REC93306-00612
20D	1988	1998		REC93315-22004		REC93315-22004		REC93332-00005		REC93306-00612









MODELO MODEL MODELLO	DESDE FROM DELL' ANNO	HASTA TO ALL' ANNO	AGUJA EJE COLA CYLIND. DRIVE SHAFT CUSCINETTO INF. ASSE VERT.	RODILLOS EJE VERT. ROLL BEAR DRIVE SHAFT CUS. INTERNO ASSE VERTICALE	PIÑÓN ATAQUE ROLL. BEARING GEAR CUS. PIGNONE INNESTO	AGUJAS DIABOLO CYL. CARRIER CUS. RULLI PER COP. CASSA INGRANAGGI	AGUJAS M. AVAN CYL. GEAR FW CUS. A RULLI FIG. M. AVANTI	ROD. PIÑÓN M. AVAN. ROLL BEAR GEAR FW CUS. CONICI FIG. M. AVANTI	AGUJAS M. ATRÁS CYL. GEAR R.V. CUS. CONICI FIG. M. INDIETRO	PIÑÓN M. ATRÁS BALLS GEAR R.V. CUS. PIGNONE M. INDIETRO
20D MHOL	2001	2006		REC93315-22004		REC93315-22004		REC93332-00005		REC93306-00612
20D MHOS	2001	2006		REC93315-22004		REC93315-22004		REC93332-00005		REC93306-00612
20D WOL	2001	-		REC93315-22004		REC93315-22004		REC93332-00005		REC93306-00612
20D WOS	2001	-		REC93315-22004		REC93315-22004		REC93332-00005		REC93306-00612
F20A	1998	1999	REC93315-220V7	REC93332-000W5		REC93315-22004		REC93332-00005		REC93306-00612
F20A E	2000	2000		REC93332-000W5		REC93315-22004		REC93332-00005		REC93306-00612
F20A EH	2000	2000	REC93315-220V7	REC93332-000W5		REC93315-22004		REC93332-00005		REC93306-00612
F20A EHS	2001	2001	REC93315-220V7			REC93315-22004		REC93332-00005		REC93306-00612
F20A EL	2001	2001	REC93315-220V7	REC93332-000W5		REC93315-22004		REC93332-00005		REC93306-00612
F20A ES	2001	2006	REC93315-220V7	REC93332-000W5		REC93315-22004		REC93332-00005		REC93306-00612
F20A ET	2000	2000	REC93315-220V7	REC93332-000W5		REC93315-22004		REC93332-00005		REC93306-00612
F20A ETL	2003	2006	REC93315-220V7	REC93332-000W5		REC93315-22004		REC93332-00005		REC93306-00612
F20A MH	2000	2000	REC93315-220V7	REC93332-000W5		REC93315-22004		REC93332-00005		REC93306-00612
F20A MHL	2000	2000	REC93315-220V7	REC93332-000W5		REC93315-22004		REC93332-00005		REC93306-00612
F20A MHS	2001	2001	REC93315-220V7	REC93332-000W5		REC93315-22004		REC93332-00005		REC93306-00612
25B	1994	1995	REC93315-325V1	REC93332-00001		REC93317-22204		REC93332-000W7		REC93306-00702
25B MHL	2001	2006	REC93315-220V7	REC93332-000W5		REC93315-22004		REC93332-00005		REC93306-00612
25B MHS	2001	2006	REC93315-220V7	REC93332-000W5		REC93315-22004		REC93332-00005		REC93306-00612
25B WCS	2001	2002	REC93315-220V7	REC93332-000W5		REC93315-22004		REC93332-00005		REC93306-00612
25D	1985	1985	REC93315-017U4			REC93315-22004		REC93332-00005		REC93306-00612
25D	1986	1987	REC93315-017U4			REC93315-22004		REC93332-00005		REC93306-00612
25D M	1990	1997	REC93315-017U4			REC93315-22004		REC93332-00005		REC93306-00612
25D MH	1998	1998	REC93315-017U4			REC93315-22004		REC93332-00005		REC93306-00612
25D MHL	2001	2001	REC93315-017U4			REC93315-22004		REC93332-00005		REC93306-00612
25D MHS	2001	2001	REC93315-017U4			REC93315-22004		REC93332-00005		REC93306-00612
25J	1987	1991	REC93315-220V7	REC93332-00023		REC93315-22004				REC93306-00612
25J	1992	2000		REC93332-00001						REC93306-00612
25N	1988	1998		REC93315-22004		REC93315-22004		REC93332-00005		REC93306-00612
25N MHOL	2001	2006		REC93315-22004		REC93315-22004		REC93332-00005		REC93306-00612
25N MHOS	2001	2006		REC93315-22004		REC93315-22004		REC93332-00005		REC93306-00612
25N WOL	2001	2003		REC93315-22004		REC93315-22004		REC93332-00005		REC93306-00612
25N WOS	2001	2003				REC93315-22004		REC93332-00005		REC93306-00612
25Q	1988	1991	REC93315-32224	REC93332-00023						REC93306-00612
25Q	1990	1994	REC93315-32224	REC93332-00001		REC93317-22204				REC93306-00702
25V	1996	1996	REC93315-220V7	REC93332-000W5		REC93315-22004		REC93332-00005		REC93306-00612
25V	1996	1998	REC93315-220V7	REC93332-000W5		REC93315-22004		REC93332-00005		REC93306-00612
25V MHL	2001	2001	REC93315-220V7	REC93332-000W5		REC93315-22004		REC93332-00005		REC93306-00612
25V MHS	2001	2001	REC93315-220V7	REC93332-000W5		REC93315-22004		REC93332-00005		REC93306-00612
25V WCS	2001	2001	REC93315-220V7	REC93332-000W5		REC93315-22004		REC93332-00005		REC93306-00612
F25A E	2000	2000	REC93315-220V7	REC93332-000W5		REC93315-22004		REC93332-00005		REC93306-00612
F25A EH	2000	2000	REC93315-220V7	REC93332-000W5		REC93315-22004		REC93332-00005		REC93306-00612
F25A EHL	2001	2002	REC93315-220V7	REC93332-000W5		REC93315-22004		REC93332-00005		REC93306-00612
F25A EHS	2001	2001	REC93315-220V7	REC93332-000W5		REC93315-22004		REC93332-00005		REC93306-00612
F25A EL	2001	2006	REC93315-220V7	REC93332-000W5		REC93315-22004		REC93332-00005		REC93306-00612
F25A ES	2001	2006	REC93315-220V7	REC93332-000W5		REC93315-22004		REC93332-00005		REC93306-00612
F25A ET	2000	2000	REC93315-220V7	REC93332-000W5		REC93315-22004		REC93332-00005		REC93306-00612
F25A ETL	2001	2006	REC93315-220V7	REC93332-000W5		REC93317-22204		REC93332-00005		REC93306-00612
F25A MH	2000	2000	REC93315-220V7	REC93332-000W5		REC93315-22004		REC93332-00005		REC93306-00612
F25A MHL	2001	2006	REC93315-220V7	REC93332-000W5		REC93315-22004		REC93332-00005		REC93306-00612
F25A MHS	2001	2006	REC93315-220V7	REC93332-000W5		REC93315-22004		REC93332-00005		REC93306-00612
FT25B ED	2000	2000	REC93315-32224	REC93332-00001		REC93317-22204		REC93332-00003		REC93306-001U1
FT25B EDL	2001	2002	REC93315-32224	REC93332-00001		REC93317-22204		REC93332-00003		REC93306-001U1
FT25B EDX	2001	2002	REC93315-32224	REC93332-00001		REC93317-22204		REC93332-00003		REC93306-001U1
FT25B ET	2000	2000	REC93315-32224	REC93332-00001		REC93317-22204		REC93332-00003		REC93306-001U1
FT25B ETL	2001	2006	REC93315-32224	REC93332-00001		REC93317-22204		REC93332-00003		REC93306-001U1
FT25B ETX	2001	2002	REC93315-32224	REC93332-00001		REC93317-22204		REC93332-00003		REC93306-001U1
30A	1985	1985	REC93315-017U4			REC93315-22004		REC93332-00005		REC93306-00612
30A M	1990	1992	REC93315-017U4		REC93315-22004	REC93315-22004		REC93332-00005		REC93306-00612
30D	1986	1991	REC93315-220V7	REC93332-00023		REC93315-22004				REC93306-00612
30D	1992	2000	REC93315-220V7	REC93332-00001		REC93315-22004				REC93306-00612
30D EOL	2001	2006	REC93315-220V7	REC93332-00001		REC93315-22004				REC93306-00612
30D EOS	2001	2006	REC93315-220V7	REC93332-00001		REC93315-22004				REC93306-00612
30D ETOL	2001	2006	REC93315-220V7	REC93332-00001		REC93315-22004				REC93306-00612
30D MHOL	2001	2006	REC93315-220V7	REC93332-00001		REC93315-22004				REC93306-00612
30D MHOS	2001	2006	REC93315-220V7	REC93332-00001		REC93315-22004				REC93306-00612
30D OL	2001	2003		REC93332-00001		REC93315-22004				REC93306-00612
30D EOS	2001	2006		REC93332-00001		REC93315-22004				REC93306-00612
30G	1996	1996	REC93315-220V7	REC93332-000W5		REC93315-22004		REC93332-00005		REC93306-00612









MODELO MODEL MODELLO	DESDE FROM DELL' ANNO	HASTA TO ALL' ANNO	AGUJA EJE COLA CYLIND. DRIVE SHAFT CUSCINETTO INF. ASSE VERT.	RODILLOS EJE VERT. ROLL BEAR DRIVE SHAFT CUS. INTERNO ASSE VERTICALE	PIÑÓN ATAQUE ROLL. BEARING GEAR CUS. PIGNONE INNESTO	AGUJAS DIABOLO CYL. CARRIER CUS. RULLI PER COP. CASSA INGRANAGGI	AGUJAS M. AVAN CYL. GEAR FW CUS. A RULLI FIG. M. AVANTI	ROD. PIÑÓN M. AVAN. ROLL BEAR GEAR FW CUS. CONICI FIG. M. AVANTI	AGUJAS M. ATRÁS CYL. GEAR R.V. CUS. CONICI FIG. M. INDIETRO	PIÑÓN M. ATRÁS BALLS GEAR R.V. CUS. PIGNONE M. INDIETRO
30G	1996	1998	REC93315-220V7	REC93332-000W5		REC93315-22004		REC93332-00005		REC93306-00612
30G MHS	2001	2001	REC93315-220V7	REC93332-000W5		REC93315-22004		REC93332-00005		REC93306-00612
30G WCS	2001	2001	REC93315-220V7	REC93332-000W5		REC93315-22004		REC93332-00005		REC93306-00612
30H MHS	2001	2002	REC93315-220V7	REC93332-000W5		REC93315-22004		REC93332-00005		REC93306-00612
30H WCS	2001	2002	REC93315-220V7	REC93332-000W5		REC93315-22004		REC93332-00005		REC93306-00612
F30A ETL	2001	2006	REC93315-32224	REC93332-00001		REC93317-22204		REC93332-00003		REC93306-001U1
F30A ETS	2001	2006	REC93315-32224	REC93332-00001		REC93317-22204		REC93332-00003		REC93306-001U1
F30A MHDL	2001	2006	REC93315-32224	REC93332-00001		REC93317-22204		REC93332-00003		REC93306-001U1
F30A MHDS	2001	2006	REC93315-32224	REC93332-00001		REC93317-22204		REC93332-00003		REC93306-001U1
40G WH	2003	2003	REC93315-324U1	REC93315-217U0	REC93390-000U0			REC93332-000U0		
40H	1985	1990	REC93315-32224	REC93332-00023		REC93317-22204				REC93306-00702
40H	1991	1993	REC93315-32224	REC93332-00001		REC93317-22204				REC93306-00702
40Q	1993	1998	REC93315-32224	REC93332-00001		REC93317-22204		REC93332-00003		REC93306-00702
40Q E	1992	1992	REC93315-32224	REC93332-00023		REC93317-22204		REC93332-00003		REC93306-00702
40Q M	1990	1992	REC93315-32224	REC93332-00023		REC93317-22204		REC93332-00003		REC93306-00702
40R MHO	2000	2000	REC93315-32224	REC93332-00001		REC93317-22204		REC93332-00003		REC93306-001U1
40R ROS	2001	2001	REC93315-32224	REC93332-00001		REC93317-22204		REC93332-00003		REC93306-001U1
40V	1995	1998	REC93315-32224	REC93332-00001		REC93317-22204		REC93332-00003		REC93306-001U1
40V EO	2000	2000	REC93315-32224	REC93332-00001		REC93317-22204		REC93332-00003		REC93306-001U1
40V EOL	2001	2006	REC93315-32224	REC93332-00001		REC93317-22204		REC93332-00003		REC93306-001U1
40V EOS	2001	2006	REC93315-32224	REC93332-00001		REC93317-22204		REC93332-00003		REC93306-001U1
40V ETO	2000	2000	REC93315-32224	REC93332-00001		REC93317-22204		REC93332-00003		REC93306-001U1
40V ETOL	2001	2003	REC93315-32224	REC93332-00001		REC93317-22204		REC93332-00003		REC93306-001U1
40V ETOS	2001	2003	REC93315-32224	REC93332-00001		REC93317-22204		REC93332-00003		REC93306-001U1
40V MHOL	2001	2006	REC93315-32224	REC93332-00001		REC93317-22204		REC93332-00003		REC93306-001U1
40V MHOS	2001	2006	REC93315-32224	REC93332-00001		REC93317-22204		REC93332-00003		REC93306-001U1
40V MO	2000	2000	REC93315-32224	REC93332-00001		REC93317-22204		REC93332-00003		REC93306-001U1
40X	1998	1998	REC93315-32224	REC93332-00001		REC93317-22204		REC93332-00003		REC93306-001U1
40X MH	2000	2000	REC93315-32224	REC93332-00001		REC93317-22204		REC93332-00003		REC93306-001U1
40X MHL	2001	2006	REC93315-32224	REC93332-00001		REC93317-22204		REC93332-00003		REC93306-001U1
40X MHS	2001	2002	REC93315-32224	REC93332-00001		REC93317-22204		REC93332-00003		REC93306-001U1
40X W	2000	2000	REC93315-32224	REC93332-00001		REC93317-22204		REC93332-00003		REC93306-001U1
40X WL	2001	2001	REC93315-32224	REC93332-00001		REC93317-22204		REC93332-00003		REC93306-001U1
40X WS	2001	2001	REC93315-32224	REC93332-00001		REC93317-22204		REC93332-00003		REC93306-001U1
40X WT	2000	2000		REC93332-00001		REC93317-22204		REC93332-00003		REC93306-001U1
40X WTL	2001	2003	REC93315-32224	REC93332-00001		REC93317-22204		REC93332-00003		REC93306-001U1
40Y ETOL	2001	2006	REC93315-32224	REC93332-00001		REC93317-22204		REC93332-00003		REC93306-001U1
40Y MHOS	2001	2006	REC93315-32224	REC93332-00001		REC93317-22204		REC93332-00003		REC93306-001U1
E40G MH	2003	2003	REC93315-324U1	REC93315-217U0	REC93390-000U0			REC93332-000U0		REC93332-000U0
E40G MHL	2003	2003	REC93315-324U1	REC93315-217U0	REC93390-000U0			REC93332-000U0		REC93332-000U0
E40G MHS	2003	2003	REC93315-324U1	REC93315-217U0	REC93390-000U0			REC93332-000U0		REC93332-000U0
F40A	1999	1999	REC93315-32224	REC93332-00001		REC93317-22204		REC93332-00003		REC93306-001U1
F40A ED	1999	1999	REC93315-32224	REC93332-00001		REC93317-22204		REC93332-00003		REC93306-001U1
F40A EDL	2001	2001	REC93315-32224	REC93332-00001		REC93317-22204		REC93332-00003		REC93306-001U1
F40A ET	1999	1999	REC93315-32224	REC93332-00001		REC93317-22204		REC93332-00003		REC93306-001U1
F40A ETL	2001	2002	REC93315-32224	REC93332-00001		REC93317-22204		REC93332-00003		REC93306-001U1
F40A ED	1999	1999	REC93315-325V1	REC93332-00001		REC93317-22204		REC93332-00003		REC93306-207U0
F40B ED	2000	2001	REC93315-32224	REC93332-00001		REC93317-22204		REC93332-00003		REC93306-001U1
F40B EDL	2001	2006	REC93315-32224	REC93332-00001		REC93317-22204		REC93332-00003		REC93306-001U1
F40B EDS	2001	2002	REC93315-32224	REC93332-00001		REC93317-22204		REC93332-00003		REC93306-001U1
F40B ET	2000	2001	REC93315-32224	REC93332-00001		REC93317-22204		REC93332-00003		REC93306-001U1
F40B ETL	2001	2006	REC93315-32224	REC93332-00001		REC93317-22204		REC93332-00003		REC93306-001U1
F40B ETS	2001	2006	REC93315-32224	REC93332-00001		REC93317-22204		REC93332-00003		REC93306-001U1
F40B MHD	2000	2000	REC93315-32224	REC93332-00001		REC93317-22204		REC93332-00003		REC93306-001U1
F40B MHDL	2001	2006	REC93315-32224	REC93332-00001		REC93317-22204		REC93332-00003		REC93306-001U1
F40B MHDS	2001	2006	REC93315-32224	REC93332-00001		REC93317-22204		REC93332-00003		REC93306-001U1
F40C ETL	2002	2006	REC93315-32224	REC93332-00001		REC93317-22204				
F45A	1996	1999	REC93315-32224	REC93332-00001		REC93317-22204		REC93332-000W7		REC93306-001U1
F45A ED	2000	2000	REC93315-32224	REC93332-00001		REC93317-22204		REC93332-000W7		REC93306-001U1
F45A ET	2000	2000	REC93315-32224	REC93332-00001		REC93317-22204		REC93332-000W7		REC93306-001U1
50D	1984	1990	REC93315-32224	REC93332-00023		REC93317-22204				REC93306-00702
50D	1991	1993	REC93315-32224	REC93332-00001						REC93306-00702
50G	1993	1998	REC93315-325V1	REC93332-00001		REC93317-22204		REC93332-000W7		REC93306-00702
50G ETO	2000	2000	REC93315-325V1	REC93332-00001		REC93317-22204		REC93332-00003		REC93306-00702
50G ETOL	2001	2006	REC93315-325V1	REC93332-00001		REC93317-22204		REC93332-00003		REC93306-00702
50H	1995	1998	REC93315-32224	REC93332-00001		REC93317-22204		REC93332-00003		REC93306-001U1
50H EDO	2000	2000	REC93315-32224	REC93332-00001		REC93317-22204		REC93332-00003		REC93306-001U1
50H EDOL	2001	2002	REC93315-32224	REC93332-00001		REC93317-22204		REC93332-00003		REC93306-001U1

MODELO MODEL MODELLO	DESDE FROM DELL' ANNO	HASTA TO ALL' ANNO	AGUJA EJE COLA CYLIND. DRIVE SHAFT CUSCINETTO INF. ASSE VERT. 	RODILLOS EJE VERT. ROLL BEAR DRIVE SHAFT CUS. INTERNO ASSE VERTICALE 	PIÑÓN ATAQUE ROLL. BEARING GEAR CUS. PIGNONE INNESTO 	AGUJAS DIABOLO CYL. CARRIER CUS. RULLI PER COP. CASSA INGRANAGGI 	AGUJAS M. AVAN CYL. GEAR FW CUS. A RULLI PIG. M. AVANTI 	ROD. PIÑÓN M. AVAN. ROLL BEAR GEAR FW CUS. CONICI PIG. M. AVANTI 	AGUJAS M. ATRÁS CYL. GEAR R.V. CUS. CONICI PIG. M. INDIETRO 	PIÑÓN M. ATRÁS BALLS GEAR R.V. CUS. PIGNONE M. INDIETRO 
50H EDOS	2001	2002	REC93315-32224	REC93332-00001		REC93317-22204		REC93332-00003		REC93306-001U1
50H MDO	2000	2000	REC93315-32224	REC93332-00001		REC93317-22204		REC93332-00003		REC93306-001U1
50H MO	2000	2000	REC93315-32224	REC93332-00001		REC93317-22204		REC93332-00003		REC93306-001U1
F50A	1995	1995	REC93315-32224	REC93332-000U3		REC93317-22204		REC93332-00003		REC93306-001U1
F50A ED	2000	2000	REC93315-32224	REC93332-00001		REC93317-22204		REC93332-00003		REC93306-001U1
F50A EDL	2001	2006	REC93315-32224	REC93332-00001		REC93317-22204		REC93332-00003		REC93306-001U1
F50A ET	2000	2000	REC93315-32224	REC93332-00001		REC93317-22204		REC93332-00003		REC93306-001U1
F50A ETL	2001	2006	REC93315-32224	REC93332-00001		REC93317-22204		REC93332-00003		REC93306-001U1
F50B	1996	1997	REC93315-32224	REC93332-00001		REC93317-22204		REC93332-00003		REC93306-001U1
F50B	1998	1999	REC93315-325V1	REC93332-000U3		REC93317-22204		REC93332-000W7		REC93306-001U1
F50B ET	2000	2000	REC93315-32224	REC93332-00001		REC93317-22204		REC93332-00003		REC93306-001U1
F50F EDL	2005	2006	REC93315-32224	REC93332-00001		REC93317-22204				REC93306-001U1
F50F ETL	2005	2006	REC93315-32224	REC93332-00001		REC93317-22204				REC93306-001U1
FT50B	1998	1999	REC93315-32224	REC93332-00001		REC93317-22204		REC93332-000W7		REC93306-001U1
FT50B ETL	2001	2002	REC93315-32224	REC93332-00001		REC93317-22204		REC93332-00003		REC93306-001U1
FT50C ETL	2002	2006	REC93315-32224	REC93332-00001		REC93317-22204		REC93332-00003		REC93306-001U1
FT50G ETL	2005	2006		REC93332-000U3		REC93317-325U0				REC93306-001U1
55B	1993	1998	REC93315-32224	REC93332-00001		REC93317-22204		REC93332-00003		REC93306-00702
55B E	1990	1991	REC93315-32224	REC93332-00001		REC93317-22204		REC93332-00003		REC93306-00702
55B E	1992	1992	REC93315-32224	REC93332-00023		REC93317-22204		REC93332-00003		REC93306-00702
55B EHD	2000	2000	REC93315-32224	REC93332-00001		REC93317-22204		REC93332-00003		REC93306-00702
55B ET	2000	2000	REC93315-32224	REC93332-00001		REC93317-22204		REC93332-00003		REC93306-00702
55B ETL	2001	2002	REC93315-32224	REC93332-00001		REC93317-22204		REC93332-00003		REC93306-00702
60F	1984	1998	REC93315-325V1	REC93332-00001		REC93317-22204		REC93332-000W7		REC93306-00702
60F EO	2000	2000	REC93315-325V1	REC93332-00001		REC93317-22204		REC93332-00003		REC93306-00702
60F ETO	2000	2000	REC93315-325V1	REC93332-00001		REC93317-22204		REC93332-00003		REC93306-00702
60F ETOL	2001	2006	REC93315-325V1	REC93332-00001		REC93317-22204		REC93332-00003		REC93306-00702
E60H MHDL	2001	2006	REC93315-325V1	REC93332-000U3		REC93317-325U0		REC93332-000W7		REC93306-207U0
F60A ETL	2002	2006	REC93315-32224	REC93332-00001		REC93317-22204				REC93306-001U1
F60C ETL	2005	2006	REC93315-32224	REC93332-00001		REC93317-22204				REC93306-001U1
FT60B ETL	2003	2006		REC93332-000U3		REC93317-325U0				REC93306-207U0
FT60D ETL	2005	2006		REC93332-000U3		REC93317-325U0				REC93306-207U0
70B	1984	1998	REC93315-325V1	REC93332-00001		REC93317-22204		REC93332-000W7		REC93306-00702
70B EDOL	2001	2001	REC93315-325V1	REC93332-00001		REC93317-22204		REC93332-00003		REC93306-00702
70B EO	2000	2000	REC93315-325V1	REC93332-00001		REC93317-22204		REC93332-00003		REC93306-00702
70B ETO	2000	2000	REC93315-325V1	REC93332-00001		REC93317-22204		REC93332-00003		REC93306-00702
70B ETOL	2001	2006	REC93315-325V1	REC93332-00001		REC93317-22204		REC93332-00003		REC93306-00702
75A	1990	1998	REC93315-325V1	REC93332-000U3		REC93317-325U0		REC93332-000W7		REC93306-207U0
75A E	1990	2000	REC93315-325V1	REC93332-000U3		REC93317-325U0		REC93332-000U5		REC93306-207U0
75A EDL	2001	2006	REC93315-325V1	REC93332-000U3		REC93317-325U0		REC93332-000W7		REC93306-207U0
75A EM	1992	1993		REC93332-000U3		REC93317-325U0		REC93332-000U5		REC93306-207U0
75A ET	2000	2000	REC93315-325V1			REC93317-325U0		REC93332-000U5		REC93306-207U0
75A ETL	2001	2002	REC93315-325V1	REC93332-000U3		REC93317-325U0		REC93332-000W7		REC93306-207U0
75A MHD	2000	2000	REC93315-325V1	REC93332-000U3		REC93317-325U0				REC93306-207U0
75C	1998	1998	REC93315-325V1			REC93317-325U0		REC93332-000W7		REC93306-207U0
75C ETO	2000	2000	REC93315-325V1	REC93332-000U3		REC93317-325U0		REC93332-000W7		REC93306-207U0
75C ETOL	2001	2006	REC93315-325V1	REC93332-000U3		REC93317-325U0		REC93332-000W7		REC93306-207U0
80A	1985	1996	REC93315-325V1	REC93332-000U3		REC93317-325U0		REC93332-000U5		REC93306-207U0
F80A	1999	1999		REC93332-000U3		REC93317-325U0	REC93317-322V0			REC93306-207U0
F80A ET	2000	2000		REC93332-000U3		REC93317-325U0	REC93317-322V0			REC93306-207U0
F80A ETL	2001	2006		REC93332-000U3		REC93317-325U0	REC93317-322V0			REC93306-207U0
F80A ETX	2001	2001		REC93332-000U3		REC93317-325U0	REC93317-322V0			REC93306-207U0
F80B ETL	2005	2006		REC93332-000U3		REC93317-325U0	REC93317-322V0			REC93306-207U0
85A	1996	1998	REC93315-325V1	REC93332-000U3		REC93317-325U0		REC93332-000W7		REC93306-207U0
85A E	1990	2000	REC93315-325V1	REC93332-000U3		REC93317-325U0		REC93332-000U5		REC93306-207U0
85A ET	2000	2000	REC93315-325V1	REC93332-000U3		REC93317-325U0		REC93332-000U5		REC93306-207U0
85A ETL	2001	2002	REC93315-325V1	REC93332-000U3		REC93317-325U0		REC93332-000W7		REC93306-207U0
90A	1984	1998	REC93315-325V1	REC93332-000U3		REC93317-325U0		REC93332-000W7		REC93306-207U0
90A ETO	2000	2000	REC93315-325V1	REC93332-000U3		REC93317-325U0		REC93332-000U7		REC93306-207U0
90A ETOL	2001	2006	REC93315-325V1	REC93332-000U3		REC93317-325U0		REC93332-000W7		REC93306-207U0
100A	1998	1998	REC93315-628U9	REC93315-430V5 AGUJAS / NEEDLE / SPILLI REC93341-930U2 AXIAL / ASSIALE		REC93315-430U8	REC93315-425U7	REC93332-000U7		REC93306-208U0
100A ETO	2000	2000	REC93315-628U9	REC93317-330U2 AGUJAS / NEEDLE / SPILLI REC93341-930V2 AXIAL / ASSIALE		REC93315-430U8	REC93315-425U7			REC93306-208U0
100A ETOL	2001	2001	REC93315-628U9	REC93317-330U2 AGUJAS / NEEDLE / SPILLI REC93341-930V2 AXIAL / ASSIALE		REC93315-430U8	REC93315-425U7	REC93332-000U7		REC93306-208U0

MODELO MODEL MODELLO	DESDE FROM DELL' ANNO	HASTA TO ALL' ANNO	AGUJA EJE COLA CYLIND. DRIVE SHAFT CUSCINETTO INF. ASSE VERT. 	RODILLOS EJE VERT. ROLL BEAR DRIVE SHAFT CUS. INTERNO ASSE VERTICALE 	PIÑÓN ATAQUE ROLL. BEARING GEAR CUS. PIGNONE INNESTO 	AGUJAS DIÁBOLO CYL. CARRIER CUS. RULLI PER COP. CASSA INGRANAGGI 	AGUJAS M. AVAN CYL. GEAR FW CUS. A RULLI FIG. M. AVANTI 	ROD. PIÑÓN M. AVAN. ROLL BEAR GEAR FW CUS. CONICI FIG. M. AVANTI 	AGUJAS M. ATRÁS CYL. GEAR R.V. CUS. CONICI FIG. M. INDIETRO 	PIÑÓN M. ATRÁS BALLS GEAR R.V. CUS. PIGNONE M. INDIETRO 
F100A	1999	1999		REC93332-000U3		REC93317-325U0	REC93317-322V0			REC93306-207U0
F100A ET	2000	2000		REC93332-000U3		REC93317-325U0	REC93317-322V0			REC93306-207U0
F100A ETL	2001	2006		REC93332-000U3		REC93317-325U0	REC93317-322V0			REC93306-207U0
F100A ETX	2001	2001		REC93332-000U3		REC93317-325U0	REC93317-322V0			REC93306-207U0
F100B ETX	2005	2006	REC93315-628U9	REC93317-330U2 AGUJAS / NEEDLE / SPILLI REC93341-930V2 AXIAL / ASSIALE		REC93315-430U8	REC93315-425U7	REC93332-000U7		REC93306-208U0
F100D ETL	2005	2006		REC93332-000U3 REC93317-330U2		REC93317-325U0	REC93317-322V0			REC93306-207U0
115A	1984	1987	REC93315-628U9	AGUJAS / NEEDLE / SPILLI REC93341-930U2 AXIAL / ASSIALE		REC93315-430U8	REC93315-425U7	REC93332-000U7		REC93306-208U0
115B	1988	1995	REC93315-628U9	REC93317-330U2 AGUJAS / NEEDLE / SPILLI REC93341-930U2 AXIAL / ASSIALE		REC93315-430U8	REC93315-425U7	REC93332-000U7		REC93306-208U0
115B	1996	1996	REC93315-628U9	REC93315-430V5 AGUJAS / NEEDLE / SPILLI REC93341-930U2 AXIAL / ASSIALE		REC93315-430U8	REC93315-425U7	REC93332-000U7		REC93306-208U0
115B ETO	1997	1998	REC93315-628U9	REC93315-430V5 AGUJAS / NEEDLE / SPILLI REC93341-930U2 AXIAL / ASSIALE		REC93315-430U8	REC93315-425U7	REC93332-000U7		REC93306-208U0
115B ETO	1999	2000	REC93315-628U9	REC93317-330U2 REC93317-330U2			REC93315-425U7	REC93332-000U7		REC93306-208U0
115B ETOL	2001	2002	REC93315-628U9	AGUJAS / NEEDLE / SPILLI REC93341-930V2 AXIAL / ASSIALE		REC93315-430U8	REC93315-425U7	REC93332-000U7		REC93306-208U0
115C	1990	1995	REC93315-628U9	REC93317-330U2 AGUJAS / NEEDLE / SPILLI REC93341-930U2 AXIAL / ASSIALE		REC93315-430U8	REC93315-425U7	REC93332-000U7	REC93315-430V5	REC93306-208U0
115C ETO	2000	2000	REC93315-628U9	REC93317-330U2 AGUJAS / NEEDLE / SPILLI REC93341-930V2 AXIAL / ASSIALE		REC93315-430U8	REC93315-425U7	REC93332-000U7	REC93315-430V5	REC93306-208U0
115C ETOL	2001	2006	REC93315-628U9	REC93317-330U2 AGUJAS / NEEDLE / SPILLI REC93341-930V2 AXIAL / ASSIALE		REC93315-43061	REC93315-425U7	REC93332-000U7	REC93315-430V5	REC93306-208U0
115C ETOX	2001	2002	REC93315-628U9	REC93317-330U2 AGUJAS / NEEDLE / SPILLI REC93341-930V2 AXIAL / ASSIALE		REC93315-430U8	REC93315-425U7	REC93332-000U7	REC93315-430V5	REC93306-208U0
F115A ET	2000	2000	REC93315-628U9	AGUJAS / NEEDLE / SPILLI REC93341-930V2 AXIAL / ASSIALE		REC93315-430U8	REC93315-425U7	REC93332-000U7	REC93315-430V5	REC93306-208U0
F115A ETL	2001	2006	REC93315-628U9	REC93317-330U2 AGUJAS / NEEDLE / SPILLI REC93341-930V2 AXIAL / ASSIALE		REC93315-430U8	REC93315-425U7	REC93332-000U7	REC93315-430V5	REC93306-208U0
F115A ETX	2001	2006	REC93315-628U9	REC93317-330U2 AGUJAS / NEEDLE / SPILLI REC93341-930V2 AXIAL / ASSIALE		REC93315-430U8	REC93315-425U7	REC93332-000U7	REC93315-430V5	REC93306-208U0
FL115A ET	2000	2000	REC93315-628U9	REC93317-330U2 AGUJAS / NEEDLE / SPILLI REC93341-930V2 AXIAL / ASSIALE		REC93315-430U8	REC93315-425U7	REC93332-000U7	REC93315-430V5	REC93306-208U0
FL115A ETX	2001	2006	REC93315-628U9	REC93317-330U2 AGUJAS / NEEDLE / SPILLI REC93341-930V2 AXIAL / ASSIALE		REC93315-430U8	REC93315-425U7	REC93332-000U7	REC93315-430V5	REC93306-208U0
130B	1990	1994	REC93315-628U9	AGUJAS / NEEDLE / SPILLI REC93341-930U2 AXIAL / ASSIALE		REC93315-430U8	REC93315-425U7	REC93332-000U7	REC93315-430V5	REC93306-208U0
130B ETO	2000	2000	REC93315-628U9	REC93317-330U2 AGUJAS / NEEDLE / SPILLI REC93341-930V2 AXIAL / ASSIALE		REC93315-430U8	REC93315-425U7	REC93332-000U7	REC93315-430V5	REC93306-208U0
130B ETOL	2001	2006	REC93315-628U9	REC93317-330U2 AGUJAS / NEEDLE / SPILLI REC93341-930V2 AXIAL / ASSIALE		REC93315-43061	REC93315-425U7	REC93332-000U7	REC93315-430V5	REC93306-208U0
130B ETOX	2001	2001	REC93315-628U9	REC93317-330U2 AGUJAS / NEEDLE / SPILLI REC93341-930V2 AXIAL / ASSIALE		REC93315-430U8	REC93315-425U7	REC93332-000U7	REC93315-430V5	REC93306-208U0
L130B	1991	1994	REC93315-628U9	REC93317-330U2 AGUJAS / NEEDLE / SPILLI REC93341-930U2 AXIAL / ASSIALE		REC93315-430U8	REC93315-425U7	REC93332-000U7	REC93315-430V5	REC93306-208U0
L130B	1995	1998		REC93315-430V5 AGUJAS / NEEDLE / SPILLI REC93341-930U2 AXIAL / ASSIALE		REC93315-430U8	REC93315-425U7	REC93332-000U7		REC93306-208U0
L130B ETO	2000	2000	REC93315-628U9	REC93317-330U2		REC93315-430U8	REC93315-425U7	REC93332-000U7	REC93315-430V5	REC93306-208U0

MODELO MODEL MODELLO	DESDE FROM DELL' ANNO	HASTA TO ALL' ANNO	AGUJA EJE COLA CYLIND. DRIVE SHAFT CUSCINETTO INF. ASSE VERT. 	RODILLOS EJE VERT. ROLL BEAR DRIVE SHAFT CUS. INTERNO ASSE VERTICALE 	PIÑÓN ATAQUE ROLL. BEARING GEAR CUS. PIGNONE INNESTO 	AGUJAS DIABOLO CYL. CARRIER CUS. RULLI PER COP. CASSA INGRANAGGI 	AGUJAS M. AVAN CYL. GEAR FW CUS. A RULLI PIG. M. AVANTI 	ROD. PIÑÓN M. AVAN. ROLL BEAR GEAR FW CUS. CONICI PIG. M. AVANTI 	AGUJAS M. ATRÁS CYL. GEAR R.V. CUS. CONICI PIG. M. INDIETRO 	PIÑÓN M. ATRÁS BALLS GEAR R.V. CUS. PIGNONE M. INDIETRO 
L130B ETOX	2001	2001	REC93315-628U9	REC93317-330U2 AGUJAS / NEEDLE / SPILLI REC93341-930V2 AXIAL / ASSIALE		REC93315-430U8	REC93315-425U7	REC93332-000U7	REC93315-430V5	REC93306-208U0
140A	1984	1987	REC93315-628U9	REC93317-330U2 AGUJAS / NEEDLE / SPILLI REC93341-930U2 AXIAL / ASSIALE		REC93315-430U8	REC93315-425U7	REC93332-000U7		REC93306-208U0
140B	1988	1989	REC93315-628U9	REC93317-330U2 AGUJAS / NEEDLE / SPILLI REC93341-930U2 AXIAL / ASSIALE		REC93315-430U8	REC93315-425U7	REC93332-000U7		REC93306-208U0
L140B	1989	1989	REC93315-628U9	REC93317-330U2 AGUJAS / NEEDLE / SPILLI REC93341-930U2 AXIAL / ASSIALE		REC93315-430U8	REC93315-425U7	REC93332-000U7	REC93315-430V5	REC93306-208U0
150A	1984	1989	REC93311-928U5	REC93317-330U2 AGUJAS / NEEDLE / SPILLI REC93341-930U2 AXIAL / ASSIALE		REC93315-430U8	REC93315-425V3	REC93332-000V3 STD. ROT REC93390-000U2 C.ROT.	REC93315-430V5	REC93306-209U0 STD. ROT REC93332-00048 C.ROT.
150A ET	1998	2000	REC93311-928U5	REC93317-330U2 AGUJAS / NEEDLE / SPILLI REC93341-930V2 AXIAL / ASSIALE		REC93315-430U8	REC93315-425V3	REC93332-000V3		REC93306-209U0
150A ETO	1986	1987				REC93315-430U8		REC93390-000U2		REC93390-000U2
150A ETL	2001	2002	REC93311-928U5	REC93317-330U2 AGUJAS / NEEDLE / SPILLI REC93341-930V2 AXIAL / ASSIALE		REC93315-430U8	REC93315-425V3	REC93332-000V3		REC93306-209U0
150A ETX	2001	2002	REC93311-928U5	REC93317-330U2 AGUJAS / NEEDLE / SPILLI REC93341-930V2 AXIAL / ASSIALE		REC93315-430U8	REC93315-425V3	REC93332-000V3		REC93306-209U0
150C	1990	1994	REC93311-928U5	REC93317-330U2 AGUJAS / NEEDLE / SPILLI REC93341-930U2 AXIAL / ASSIALE		REC93315-430U8	REC93315-425V3	REC93332-000V3		REC93306-209U0
150F	1996	1998	REC93311-928U5	REC93315-430V5 AGUJAS / NEEDLE / SPILLI REC93341-930V2 AXIAL / ASSIALE		REC93315-430U8	REC93315-425V3	REC93390-000U2		REC93332-00048
150F	1997	1998	REC93311-928U5	REC93315-430V5 AGUJAS / NEEDLE / SPILLI REC93341-930V2 AXIAL / ASSIALE		REC93315-430U8	REC93315-425V3	REC93332-000V3 STD. ROT REC93390-000U2 C.ROT.		REC93306-209U0 STD. ROT REC93332-00048 C.ROT.
150F ETO	2000	2000	REC93311-928U5	REC93317-330U2 AGUJAS / NEEDLE / SPILLI REC93341-930V2 AXIAL / ASSIALE		REC93315-430U8	REC93315-425V3	REC93332-000V3 STD. ROT REC93390-000U2 C.ROT.		REC93306-209U0 STD. ROT REC93332-00048 C.ROT.
150F ETOL	2001	2006	REC93311-928U5	REC93317-330U2 AGUJAS / NEEDLE / SPILLI REC93341-930V2 AXIAL / ASSIALE		REC93315-43061	REC93315-425V3	REC93332-000V3 STD. ROT REC93390-000U2 C.ROT.		REC93306-209U0 STD. ROT REC93332-00048 C.ROT.
150F ETOX	2001	2006	REC93311-928U5	REC93317-330U2 AGUJAS / NEEDLE / SPILLI REC93341-930V2 AXIAL / ASSIALE		REC93315-43061	REC93315-425V3	REC93332-000V3 STD. ROT REC93390-000U2 C.ROT.		REC93306-209U0 STD. ROT REC93332-00048 C.ROT.
D150H	1999	1999	REC93315-628U9	REC93317-330U2 AGUJAS / NEEDLE / SPILLI REC93341-930V2 AXIAL / ASSIALE		REC93315-43061		REC93332-00048		REC93332-00048
D150H ETOL	2001	2002	REC93315-628U9	REC93317-330U2 AGUJAS / NEEDLE / SPILLI REC93341-930V2 AXIAL / ASSIALE		REC93315-43061		REC93332-00048		REC93332-00048
F150A ETL	2004	2006	REC93311-928U5	REC93317-330U2 AGUJAS / NEEDLE / SPILLI REC93341-930V2 AXIAL / ASSIALE		REC93315-43061	REC93315-425V3	REC93332-000V3 STD. ROT REC93390-000U2 C.ROT.		REC93306-209U0 STD. ROT REC93332-00048 C.ROT.
F150A ETX	2004	2006	REC93311-928U5	REC93317-330U2 AGUJAS / NEEDLE / SPILLI REC93341-930V2 AXIAL / ASSIALE		REC93315-43061	REC93315-425V3	REC93332-000V3 STD. ROT REC93390-000U2 C.ROT.		REC93306-209U0 STD. ROT REC93332-00048 C.ROT.
FL150A ETL	2004	2006	REC93311-928U5	REC93317-330U2 AGUJAS / NEEDLE / SPILLI REC93341-930V2 AXIAL / ASSIALE		REC93315-43061	REC93315-425V3	REC93332-000V3 STD. ROT REC93390-000U2 C.ROT.		REC93306-209U0 STD. ROT REC93332-00048 C.ROT.
FL150AETX	2004	2006	REC93311-928U5	REC93317-330U2 AGUJAS / NEEDLE / SPILLI REC93341-930V2 AXIAL / ASSIALE		REC93315-43061	REC93315-425V3	REC93332-000V3 STD. ROT REC93390-000U2 C.ROT.		REC93306-209U0 STD. ROT REC93332-00048 C.ROT.
L150A	1988	1989	REC93311-928U5	REC93317-330U2 AGUJAS / NEEDLE / SPILLI REC93341-930U2 AXIAL / ASSIALE		REC93315-430U8		REC93390-000U2	REC93315-430V5	REC93390-000U2
L150C	1990	1994	REC93311-928U5	REC93317-330U2 AGUJAS / NEEDLE / SPILLI REC93341-930U2 AXIAL / ASSIALE		REC93315-430U8	REC93315-425V3	REC93390-000U2	REC93315-430V5	REC93306-209U0
L150C	1995	1995		REC93315-430V5				REC93390-000U2		REC93332-00048
L150F	1996	1998	REC93311-928U5	REC93315-430V5 AGUJAS / NEEDLE / SPILLI REC93341-930V2 AXIAL / ASSIALE		REC93315-430U8	REC93315-425V3	REC93332-000V3 STD. ROT REC93390-000U2 C.ROT.		REC93306-209U0 STD. ROT REC93332-00048 C.ROT.

MODELO MODEL MODELLO	DESDE FROM DELL' ANNO	HASTA TO ALL' ANNO	AGUJA EJE COLA CYLIND. DRIVE SHAFT CUSCINETTO INF. ASSE VERT. 	RODILLOS EJE VERT. ROLL BEAR DRIVE SHAFT CUS. INTERNO ASSE VERTICALE 	PIÑÓN ATAQUE ROLL. BEARING GEAR CUS. PIGNONE INNESTO 	AGUJAS DIABOLO CYL. CARRIER CUS. RULLI PER COP. CASSA INGRANAGGI 	AGUJAS M. AVAN CYL. GEAR FW CUS. A RULLI PIG. M. AVANTI 	ROD. PIÑÓN M. AVAN. ROLL BEAR GEAR FW CUS. CONICI PIG. M. AVANTI 	AGUJAS M. ATRÁS CYL. GEAR R.V. CUS. CONICI PIG. M. INDIETRO 	PIÑÓN M. ATRÁS BALLS GEAR R.V. CUS. PIGNONE M. INDIETRO 
L150F ETO	2000	2001	REC93311-928U5	REC93317-330U2 AGUJAS / NEEDLE / SPILLI REC93341-930V2 AXIAL / ASSIALE		REC93315-430U8	REC93315-425V3	REC93332-000V3 STD. ROT REC93390-000U2 C.ROT.		REC93306-209U0 STD. ROT REC93332-00048 C.ROT.
L150F ETOL	2001	2001	REC93311-928U5	REC93317-330U2 AGUJAS / NEEDLE / SPILLI REC93341-930V2 AXIAL / ASSIALE		REC93315-430U8	REC93315-425V3	REC93332-000V3 STD. ROT REC93390-000U2 C.ROT.		REC93306-209U0 STD. ROT REC93332-00048 C.ROT.
L150F ETOX	2001	2001	REC93311-928U5	REC93317-330U2 AGUJAS / NEEDLE / SPILLI REC93341-930V2 AXIAL / ASSIALE		REC93315-430U8	REC93315-425V3	REC93332-000V3 STD. ROT REC93390-000U2 C.ROT.		REC93306-209U0 STD. ROT REC93332-00048 C.ROT.
LZ150P	2000	2002				REC93315-430U8		REC93390-000U2		REC93390-000U2
LZ150P ETOX	2000	2006	REC93311-928U5	REC93317-330U2 AGUJAS / NEEDLE / SPILLI REC93341-930V2 AXIAL / ASSIALE		REC93315-43061	REC93315-425V3	REC93332-000V3 STD. ROT REC93390-000U2 C.ROT.		REC93306-209U0 STD. ROT REC93332-00048 C.ROT.
LZ150T XRC	2004							REC93390-000U2		REC93390-000U2
Z150P ETO	2000	2000	REC93311-928U5	REC93317-330U2 AGUJAS / NEEDLE / SPILLI REC93341-930V2 AXIAL / ASSIALE		REC93315-430U8	REC93315-425V3	REC93332-000V3 STD. ROT REC93390-000U2 C.ROT.		REC93306-209U0 STD. ROT REC93332-00048 C.ROT.
Z150P ETOL	2001	2006	REC93311-928U5	REC93317-330U2 AGUJAS / NEEDLE / SPILLI REC93341-930V2 AXIAL / ASSIALE		REC93315-43061	REC93315-425V3	REC93332-000V3 STD. ROT REC93390-000U2 C.ROT.		REC93306-209U0 STD. ROT REC93332-00048 C.ROT.
Z150P ETOX	2001	2006	REC93311-928U5	REC93317-330U2 AGUJAS / NEEDLE / SPILLI REC93341-930V2 AXIAL / ASSIALE		REC93315-43061	REC93315-425V3	REC93332-000V3 STD. ROT REC93390-000U2 C.ROT.		REC93306-209U0 STD. ROT REC93332-00048 C.ROT.
Z150Q ETO	2000	2000	REC93311-928U5	REC93317-330U2 AGUJAS / NEEDLE / SPILLI REC93341-930V2 AXIAL		REC93315-430U8	REC93315-425V3	REC93332-000V3		REC93306-209U0
Z150Q ETOL	2001	2006	REC93311-928U5	REC93317-330U2 AGUJAS / NEEDLE / SPILLI REC93341-930V2 AXIAL / ASSIALE		REC93315-43061	REC93315-425V3	REC93332-000V3		REC93306-209U0
175A	1984	1989	REC93311-928U5	REC93317-330U2 AGUJAS / NEEDLE / SPILLI REC93341-930V2 AXIAL / ASSIALE		REC93315-430U8	REC93315-425V3	REC93332-000V3 STD. ROT REC93390-000U2 C.ROT.	REC93315-430V5	REC93306-209U0 STD. ROT REC93332-00048 C.ROT.
175A ETO	1986	1987	REC93311-928U5	REC93317-330U2 REC93317-330U2		REC93315-430U8	REC93315-425V3	REC93390-000U2		REC93390-000U2
175B	1990	1994	REC93311-928U5	AGUJAS / NEEDLE / SPILLI REC93341-930V2 AXIAL / ASSIALE		REC93315-430U8	REC93315-425V3	REC93332-000V3		REC93306-209U0
175B	1995	1995	REC93311-928U5	REC93315-430V5		REC93315-430U8	REC93315-425V3	REC93390-000U2		REC93332-00048
175D	1996	1998	REC93311-928U5	REC93315-430V5 AGUJAS / NEEDLE / SPILLI REC93341-930V2 AXIAL / ASSIALE		REC93315-430U8	REC93315-425V3	REC93332-000V3 STD. ROT REC93390-000U2 C.ROT.		REC93306-209U0 STD. ROT REC93332-00048 C.ROT.
175D ETO	2000	2000	REC93311-928U5	REC93317-330U2 AGUJAS / NEEDLE / SPILLI REC93341-930V2 AXIAL / ASSIALE		REC93315-430U8	REC93315-425V3	REC93332-000V3 STD. ROT REC93390-000U2 C.ROT.		REC93306-209U0 STD. ROT REC93332-00048 C.ROT.
175D ETOL	2001	2003	REC93311-928U5	REC93317-330U2 AGUJAS / NEEDLE / SPILLI REC93341-930V2 AXIAL / ASSIALE		REC93315-430U8	REC93315-425V3	REC93332-000V3 STD. ROT REC93390-000U2 C.ROT.		REC93306-209U0 STD. ROT REC93332-00048 C.ROT.
175D ETOX	2001	2002	REC93311-928U5	REC93317-330U2 AGUJAS / NEEDLE / SPILLI REC93341-930V2 AXIAL / ASSIALE		REC93315-430U8	REC93315-425V3	REC93332-000V3 STD. ROT REC93390-000U2 C.ROT.		REC93306-209U0 STD. ROT REC93332-00048 C.ROT.
Z175G ETOX	2001	2006	REC93311-928U5	REC93317-330U2 AGUJAS / NEEDLE / SPILLI REC93341-930V2 AXIAL / ASSIALE		REC93315-43061	REC93315-425V3	REC93332-000V3 STD. ROT REC93390-000U2 C.ROT.		REC93306-209U0 STD. ROT REC93332-00048 C.ROT.
Z175H ETOL	2001	2001	REC93311-928U5	REC93317-330U2 AGUJAS / NEEDLE / SPILLI REC93341-930V2 AXIAL / ASSIALE		REC93315-430U8	REC93315-425V3	REC93332-000V3		REC93306-209U0
200A	1984	1989	REC93311-928U5	REC93317-330U2 AGUJAS / NEEDLE / SPILLI REC93341-930U2 AXIAL / ASSIALE		REC93315-430U8	REC93315-425V3	REC93332-000V3 STD. ROT REC93390-000U2 C.ROT.	REC93315-430V5	REC93306-209U0 STD. ROT REC93332-00048 C.ROT.
200A ETO	1986	1987	REC93311-928U5	REC93317-330U2 REC93317-330U2		REC93315-430U8		REC93390-000U2		REC93390-000U2
200B	1990	1994	REC93311-928U5	AGUJAS / NEEDLE / SPILLI REC93341-930U2 AXIAL / ASSIALE		REC93315-430U8	REC93315-425V3	REC93332-000V3		REC93306-209U0
200B	1995	1995	REC93311-928U5	REC93315-430V5		REC93315-430U8	REC93315-425V3	REC93390-000U2		REC93332-00048
200F	1996	1998	REC93311-928U5	REC93315-430V5 AGUJAS / NEEDLE / SPILLI REC93341-930V2 AXIAL / ASSIALE		REC93315-430U8	REC93315-425V3	REC93332-000V3 STD. ROT REC93390-000U2 C.ROT.		REC93306-209U0 STD. ROT REC93332-00048 C.ROT.
200F ETO	2000	2000	REC93311-928U5	REC93317-330U2 AGUJAS / NEEDLE / SPILLI REC93341-930V2 AXIAL / ASSIALE		REC93315-430U8	REC93315-425V3	REC93332-000V3 STD. ROT REC93390-000U2 C.ROT.		REC93306-209U0 STD. ROT REC93332-00048 C.ROT.
200F ETOL	2001	2006	REC93311-928U5	REC93317-330U2 AGUJAS / NEEDLE / SPILLI REC93341-930V2 AXIAL / ASSIALE		REC93315-43061	REC93315-425V3	REC93332-000V3 STD. ROT REC93390-000U2 C.ROT.		REC93306-209U0 STD. ROT REC93332-00048 C.ROT.

MODELO MODEL MODELLO	DESDE FROM DELL' ANNO	HASTA TO ALL' ANNO	AGUJA EJE COLA CYLIND. DRIVE SHAFT CUSCINETTO INF. ASSE VERT. 	RODILLOS EJE VERT. ROLL BEAR DRIVE SHAFT CUS. INTERNO ASSE VERTICALE 	PIÑÓN ATAQUE ROLL. BEARING GEAR CUS. PIGNONE INNESTO 	AGUJAS DIABOLO CYL. CARRIER CUS. RULLI PER COP. CASSA INGRANAGGI 	AGUJAS M. AVAN CYL. GEAR FW CUS. A RULLI PIG. M. AVANTI 	ROD. PIÑÓN M. AVAN. ROLL BEAR GEAR FW CUS. CONICI PIG. M. AVANTI 	AGUJAS M. ATRÁS CYL. GEAR R.V. CUS. CONICI PIG. M. INDIETRO 	PIÑÓN M. ATRÁS BALLS GEAR R.V. CUS. PIGNONE M. INDIETRO 
200F ETOX	2001	2006	REC93311-928U5	REC93317-330U2 AGUJAS / NEEDLE / SPILLI REC93341-930V2 AXIAL / ASSIALE		REC93315-43061	REC93315-425V3	REC93332-000V3 STD. ROT REC93390-000U2 C.ROT.		REC93306-209U0 STD. ROT REC93332-00048 C.ROT.
200G	1999	1999	REC93311-928U5	REC93317-330U2 AGUJAS / NEEDLE / SPILLI REC93341-930V2 AXIAL / ASSIALE		REC93315-430U8	REC93315-425V3	REC93332-000V3		REC93306-209U0
200G ETO	2000	2000	REC93311-928U5	REC93317-330U2 AGUJAS / NEEDLE / SPILLI REC93341-930V2 AXIAL / ASSIALE		REC93315-430U8	REC93315-425V3	REC93332-000V3		REC93306-209U0
200G ETOL	2001	2003	REC93311-928U5	REC93317-330U2 AGUJAS / NEEDLE / SPILLI REC93341-930V2 AXIAL / ASSIALE		REC93315-430U8	REC93315-425V3	REC93332-000V3		REC93306-209U0
F200A ETX	2002	2006	REC93311-83280	REC93317-330U2		REC93315-43061		REC93332-000W1		REC93306-209U0 STD. ROT REC93332-00048 C.ROT.
F200C ETX	2006	2006	REC93311-83280	REC93317-330U2				REC93332-000W1		REC93306-209U0 STD. ROT REC93332-00048 C.ROT.
FL200A ETX	2002	2006	REC93311-83280	REC93317-330U2		REC93315-43061		REC93332-000W1		REC93306-209U0 STD. ROT REC93332-00048 C.ROT.
FL200C ETX	2006	2006	REC93311-83280	REC93317-330U2				REC93332-000W1		REC93306-209U0 STD. ROT REC93332-00048 C.ROT.
L200A	1988	1989	REC93311-928U5	REC93317-330U2 AGUJAS / NEEDLE / SPILLI REC93341-930U2 AXIAL / ASSIALE		REC93315-430U8	REC93315-425V3	REC93390-000U2	REC93315-430V5	REC93332-00048
L200B	1990	1994	REC93311-928U5	REC93317-330U2 AGUJAS / NEEDLE / SPILLI REC93341-930U2 AXIAL / ASSIALE			REC93315-425V3	REC93332-000V3 STD. ROT REC93390-000U2 C.ROT.	REC93315-430V5	REC93306-209U0
L200F	1996	1998	REC93311-928U5	REC93315-430V5 AGUJAS / NEEDLE / SPILLI REC93341-930V2 AXIAL / ASSIALE		REC93315-430U8	REC93315-425V3	REC93332-000V3 STD. ROT REC93390-000U2 C.ROT.		REC93306-209U0 STD. ROT REC93332-00048 C.ROT.
L200F ETO	2000	2000	REC93311-928U5	REC93317-330U2 AGUJAS / NEEDLE / SPILLI REC93341-930V2 AXIAL / ASSIALE		REC93315-430U8	REC93315-425V3	REC93332-000V3 STD. ROT REC93390-000U2 C.ROT.		REC93306-209U0 STD. ROT REC93332-00048 C.ROT.
L200F ETOL	2001	2006	REC93311-928U5	REC93317-330U2 AGUJAS / NEEDLE / SPILLI REC93341-930V2 AXIAL / ASSIALE		REC93315-43061	REC93315-425V3	REC93332-000V3 STD. ROT REC93390-000U2 C.ROT.		REC93306-209U0 STD. ROT REC93332-00048 C.ROT.
L200F ETOX	2001	2001	REC93311-928U5	REC93317-330U2		REC93315-430U8	REC93315-425V3	REC93332-000V3 STD. ROT REC93390-000U2 C.ROT.		REC93306-209U0 STD. ROT REC93332-00048 C.ROT.
LZ200N	2000	2000						REC93390-000U2		REC93390-000U2
LZ200N ETO	2000	2000	REC93311-928U5	REC93317-330U2		REC93315-430U8	REC93315-425V3	REC93332-000V3		REC93306-209U0 STD. ROT REC93332-00048 C.ROT.
LZ200N ETOX	2001	2007	REC93311-928U5	REC93317-330U2 AGUJAS / NEEDLE / SPILLI REC93341-930V2 AXIAL / ASSIALE		REC93315-43061	REC93315-425V3	REC93332-000V3 STD. ROT REC93390-000U2 C.ROT.		REC93306-209U0 STD. ROT REC93332-00048 C.ROT.
LZ200T R	2005	2005						REC93390-000U2		REC93390-000U2
LZ200T XRC	2004	2006						REC93390-000U2		REC93390-000U2
LZ200T XRD	2005	2005						REC93390-000U2		REC93390-000U2
Z200N ETO	2000	2000	REC93311-928U5	REC93317-330U2 AGUJAS / NEEDLE / SPILLI REC93341-930V2 AXIAL / ASSIALE		REC93315-430U8	REC93315-425V3	REC93332-000V3		REC93306-209U0 STD. ROT REC93332-00048 C.ROT.
Z200N ETOL	2001	2006	REC93311-928U5	REC93317-330U2 AGUJAS / NEEDLE / SPILLI REC93341-930V2 AXIAL / ASSIALE		REC93315-43061	REC93315-425V3	REC93332-000V3 STD. ROT REC93390-000U2 C.ROT.		REC93306-209U0 STD. ROT REC93332-00048 C.ROT.
Z200N ETOX	2001	2006	REC93311-928U5	REC93317-330U2 AGUJAS / NEEDLE / SPILLI REC93341-930V2 AXIAL / ASSIALE		REC93315-43061	REC93315-425V3	REC93332-000V3 STD. ROT REC93390-000U2 C.ROT.		REC93306-209U0 STD. ROT REC93332-00048 C.ROT.
Z200P ETOL	2003	2006	REC93311-928U5	REC93317-330U2 AGUJAS / NEEDLE / SPILLI REC93341-930V2 AXIAL / ASSIALE		REC93315-43061	REC93315-425V3	REC93332-000V3		REC93306-209U0
220A	1984	1986	REC93311-928U5	REC93317-330U2 AGUJAS / NEEDLE / SPILLI REC93341-930U2 AXIAL / ASSIALE		REC93315-430U8	REC93315-425V3	REC93332-000V3		REC93306-209U0
225A	1987	1989	REC93311-928U5	REC93317-330U2 AGUJAS / NEEDLE / SPILLI REC93341-930U2 AXIAL / ASSIALE		REC93315-430U8	REC93315-425V3			REC93306-209U0
225B	1990	1994	REC93311-928U5	REC93317-330U2 AGUJAS / NEEDLE / SPILLI REC93341-930U2 AXIAL / ASSIALE		REC93315-430U8	REC93315-425V3	REC93332-000V3		REC93306-209U0

MODELO MODEL MODELLO	DESDE FROM DELL' ANNO	HASTA TO ALL' ANNO	AGUJA EJE COLA CYLIND. DRIVE SHAFT CUSCINETTO INF. ASSE VERT.	RODILLOS EJE VERT. ROLL BEAR DRIVE SHAFT CUS. INTERNO ASSE VERTICALE	PIÑÓN ATAQUE ROLL. BEARING GEAR CUS. PIGNONE INNESTO	AGUJAS DIÁBOLO CYL. CARRIER CUS. RULLI PER COP. CASSA INGRANAGGI	AGUJAS M. AVAN CYL. GEAR FW CUS. A RULLI FIG. M. AVANTI	ROD. PIÑÓN M. AVAN. ROLL BEAR GEAR FW CUS. CONICI FIG. M. AVANTI	AGUJAS M. ATRÁS CYL. GEAR R.V. CUS. CONICI FIG. M. INDIETRO	PIÑÓN M. ATRÁS BALLS GEAR R.V. CUS. PIGNONE M. INDIETRO
225B	1995	1995	REC93311-928U5	REC93315-430V5			REC93315-425V3	REC93332-000V3		REC93306-209U0
225C	1994	1994	REC93311-83280	REC93317-330U2		REC93315-430U8		REC93332-000W1		REC93306-210U0
225C	1995	1995	REC93311-83280	REC93315-430V5						
225D	1996	1998	REC93311-928U5	REC93315-430V5 AGUJAS / NEEDLE / SPILLI REC93341-930V2 AXIAL / ASSIALE		REC93315-430U8	REC93315-425V3	REC93332-000V3		REC93306-209U0
225D ETO	2000	2000	REC93311-928U5	REC93317-330U2 AGUJAS / NEEDLE / SPILLI REC93341-930V2 AXIAL / ASSIALE		REC93315-430U8	REC93315-425V3	REC93332-000V3		REC93306-209U0
225D ETOL	2001	2003	REC93311-928U5	REC93317-330U2 AGUJAS / NEEDLE / SPILLI REC93341-930V2 AXIAL / ASSIALE		REC93315-430U8	REC93315-425V3	REC93332-000V3		REC93306-209U0
225D ETOX	2001	2003	REC93311-928U5	REC93317-330U2 AGUJAS / NEEDLE / SPILLI REC93341-930V2 AXIAL / ASSIALE		REC93315-430U8	REC93315-425V3	REC93332-000V3		REC93306-209U0
225G	1999	1999	REC93311-83280	REC93317-330U2		REC93315-43061		REC93332-000W1		REC93306-210U0
225G ETO	2000	2000	REC93311-83280	REC93317-330U2		REC93315-43061		REC93332-000W1		REC93306-210U0
225G ETOL	2001	2003	REC93311-928U5	REC93317-330U2		REC93315-43061		REC93332-000W1		REC93306-210U0
F225A ETU	2003	2006		REC93317-330U2		REC93315-43061		REC93332-000W1		REC93306-209U0 STD. ROT REC93332-00048 C.ROT.
F225A ETX	2002	2006	REC93311-83280	REC93317-330U2		REC93315-43061		REC93332-000W1		REC93306-209U0 STD. ROT REC93332-00048 C.ROT.
FL225A ETX	2002	2006	REC93311-83280	REC93317-330U2		REC93315-43061		REC93332-000W1		REC93306-209U0 STD. ROT REC93332-00048 C.ROT.
L225C	1994	1994	REC93311-83280	REC93317-330U2		REC93315-430U8		REC93332-000W1		REC93306-210U0
L225C	1995	1995	REC93311-83280	REC93315-430V5				REC93332-000W1		REC93306-210U0
250A	1990	1994	REC93311-83280	REC93317-330U2		REC93315-430U8		REC93332-000W1		REC93306-210U0
250A	1995	1998	REC93311-83280	REC93315-430V5				REC93332-000W1		REC93306-210U0
250A ETO	2000	2000	REC93311-83280	REC93317-330U2		REC93315-430U8		REC93332-000W1		REC93306-210U0
250A ETOX	2001	2006	REC93311-83280	REC93317-330U2		REC93315-43061		REC93332-000W1		REC93306-210U0
250B	1997	1998	REC93311-83280	REC93317-330U2		REC93315-430U8		REC93332-000W1		REC93306-210U0
250B ETO	2000	2000	REC93311-83280	REC93317-330U2		REC93315-430U8		REC93332-000W1		REC93306-210U0
250B ETOX	2001	2003	REC93311-83280	REC93317-330U2		REC93315-430U8		REC93332-000W1		REC93306-210U0
250G ETOX	2006	2006	REC93311-83280	REC93317-330U2		REC93315-43061		REC93332-000W1		REC93306-210U0
F250A ETU	2006	2006	REC93311-83280	REC93317-330U2				REC93332-000W1		REC93306-210U0
F250A ETX	2006	2006	REC93311-83280	REC93317-330U2				REC93332-000W1		REC93306-209U0 STD. ROT REC93332-00048 C.ROT.
FL250A ETU	2006	2006	REC93311-83280	REC93317-330U2				REC93332-000W1		REC93306-209U0 STD. ROT REC93332-00048 C.ROT.
FL250A ETX	2006	2006	REC93311-83280	REC93317-330U2				REC93332-000W1		REC93306-209U0 STD. ROT REC93332-00048 C.ROT.
L250A	1990	1994	REC93311-83280	REC93317-330U2		REC93315-430U8		REC93332-000W1	REC93315-430U8	REC93315-430U8
L250A	1995	1998	REC93311-83280	REC93315-430V5				REC93332-000W1		REC93306-210U0
L250A ETO	2000	2000	REC93311-83280	REC93317-330U2		REC93315-430U8		REC93332-000W1		REC93306-210U0
L250A ETOX	2001	2006	REC93311-83280	REC93317-330U2		REC93315-43061		REC93332-000W1		REC93306-210U0
L250B	1997	1998	REC93311-83280	REC93317-330U2		REC93315-430U8		REC93332-000W1		REC93306-210U0
L250B ETO	2000	2000	REC93311-83280	REC93317-330U2		REC93315-430U8		REC93332-000W1		REC93306-210U0
L250B ETOX	2001	2003	REC93311-83280	REC93317-330U2		REC93315-430U8		REC93332-000W1		REC93306-210U0
L250G ETOX	2006	2006	REC93311-83280	REC93317-330U2		REC93315-43061		REC93332-000W1		REC93306-210U0
LZ250D EOX	2003	2006	REC93311-83280	REC93317-330U2		REC93315-43061		REC93332-000W1		REC93306-209U0 STD. ROT REC93332-00048 C.ROT.
Z250D ETOU	2003	2003	REC93311-83280	REC93317-330U2		REC93315-43061		REC93332-000W1		REC93306-209U0 STD. ROT REC93332-00048 C.ROT.
Z250D ETOX	2003	2006	REC93311-83280	REC93317-330U2		REC93315-43061		REC93332-000W1		REC93306-209U0 STD. ROT REC93332-00048 C.ROT.
Z250F ETOL	2003	2006	REC93311-83280	REC93317-330U2		REC93315-43061		REC93332-000W1		REC93315-43061
LZ300A ETOX										REC93306-209U0 STD. ROT
Z300A ETOU	2004	2006	REC93311-83280	REC93317-330U2				REC93332-000W1		REC93332-00048 C.ROT.
Z300A ETOX										



GUÍA BOMBAS AGUA WATER PUMP GUIDE GUIDA POMPA ACQUA

MODELO MODEL MODELLO	CÓD. MOD. MODEL CODE COD. MOD.	DESDE FROM DELL' ANNO	IMPULSOR IMPELLER GIRANTE	ACOPLE INOX. CUP BOCCOLA INOX.	TAPA BOMBA PLATE PIASTRA POMPA	CUERPO BOMBA HOUSING CORPO POMPA	JUNTA GASKET GUARNIZIONE	RETÉN TUBO FLECTOR TENUTA	CHAVETA KEY CHIAVETA	KIT REP. BOMBA WATER PUMP KIT KIT RICAMBI
F2.5	69F0 > 69F3 60N1 > 60N5	2003 +	REC6L5-44352-00	PAF2.6-03000015	PAF2.6-03000010	PAF2.6-03000014	PAJASOF404-19-033	PAF4-03000021	PAF2.6-03000013	
F4	68R > 68R3 60P1 > 60P2	2002-09	REC6E0-44352-00	REC6E0-44322-02	PAF4-03000015	PAF4-03000019	PAF4-03000018	PAF4-03000021	PAF4-03000016	
F5		2010+	REC6E0-44352-00	PAF6-03000002		PAF6-03000001		PAF4-03000021	PAF4-03000016	
F6B, BMH, A, AM, AW, ML, MH	6J6 > 6J7	2001-09	REC68T-44352-00	REC63V-44322-00	REC68T-44323-00	REC63V-44301-00	REC93210-44398	REC68T-44366-00	REC664-44338-00	REC68T-W0078-00
F6A, ML, MS, AM, BM	60R1 > 60R9 68T > 68T3 60RA > 60RB 6FW1	2000-06	REC68T-44352-00	REC63V-44322-00	REC68T-44323-00	REC63V-44301-00	REC93210-44398	REC68T-44366-00	REC664-44338-00	REC68T-W0078-00
F6 (1cyl) F8AM, B, BE, BM	6G8	1986-95	REC6E0-44352-00	PAF6-03000002		PAF6-03000001	PAF4-03000018	PAF4-03000021	PAF4-03000016	
F8C, ML, CM, MS, MH, ML, FM	6G9	2000-15	REC68T-44352-00	REC63V-44322-00	REC68T-44323-00	REC63V-44301-00	REC93210-44398	REC68T-44366-00	REC664-44338-00	REC68T-W0078-00
T8		2001-10	REC63V-44352-01	REC63V-44322-00	REC68T-44323-00	REC63V-44301-00	REC93210-44398	REC68T-44366-00	REC664-44338-00	REC68T-W0078-00
F9.9A, AE, AM	66N>66N8	1985-96	REC682-44352-01	REC682-44322-00	REC682-44323-40	REC682-44300-01	REC682-44315-00	REC682-44365-00	REC90280-03024	REC682-W0078-A1
F9.9B, BE, BM	6AU1>6AU6 6DR1>6DR3	1985-96	REC682-44352-01	REC682-44322-00	REC682-44323-40	REC682-44300-01	REC682-44315-00	REC682-44365-00	REC90280-03024	REC682-W0078-A1
F9.9	66R>66R8	1985-04	REC682-44352-01	REC682-44322-00	REC682-44323-40	REC682-44300-01	REC682-44315-00	REC682-44365-00	REC90280-03024	REC682-W0078-A1
F9.9C, CE, CM, CW, MH	69C>69C1	1998-08	REC63V-44352-01	REC63V-44322-00	REC63V-44323-00	REC63V-44301-00	REC93210-44398	PAF15-06060004	REC664-44338-00	REC63V-W0078-01
F9.9F, FE, FM, MH, ML, JE, JM		2008-15	REC63V-44352-01	REC63V-44322-00	REC68T-44323-00	REC63V-44301-00	REC93210-44398	REC68T-44366-00	REC664-44338-00	REC68T-W0078-00
FT9.9D, DE, DM, DW		1999-08	REC63V-44352-01	REC63V-44322-00	REC63V-44323-00	REC63V-44301-00	REC93210-44398	PAF15-06060004	REC664-44338-00	REC63V-W0078-01
FT9.9D, DEP, PLR, TR	6CA1>6CA8	2000-02	REC63V-44352-01	REC63V-44322-00	REC63V-44323-00	REC63V-44301-00	REC93210-44398	PAF15-06060004	REC664-44338-00	REC63V-W0078-01
FT9.9		1985-99	REC682-44352-01	REC682-44322-00	REC682-44323-40	REC682-44300-01	REC682-44315-00	REC682-44365-00	REC90280-03024	REC682-W0078-A1
F9.9	69V2>69V8	1991-99	REC682-44352-01	REC682-44322-00	REC682-44323-40	REC682-44300-01	REC682-44315-00	REC682-44365-00	REC90280-03024	REC682-W0078-A1
F9.9HE, HMH	6P71>6P74	2009-15	REC63V-44352-01	REC63V-44322-00				PAF25-04050004	REC664-44338-00	REC6AH-W0078-00
T9.9	6AF1>6AF3	2005-06	REC63V-44352-01	REC63V-44322-00	REC63V-44323-00	REC63V-44301-00	REC93210-44398	PAF15-06060004	REC664-44338-00	REC63V-W0078-01
F13.5AE, AM	66M>66M7	2002-07	REC63V-44352-01	REC63V-44322-00	REC63V-44323-00	REC63V-44301-00	REC93210-44398	PAF15-06060004	REC664-44338-00	REC63V-W0078-01
F13.5AE		2005-07	REC63V-44352-01	REC63V-44322-00	REC63V-44323-00	REC63V-44301-00	REC93210-44398	PAF15-06060004	REC664-44338-00	REC63V-W0078-01
F13.5B, BMH	6AG1>6AG9 6AGA	2007-09	REC63V-44352-01	REC63V-44322-00				PAF25-04050004	REC664-44338-00	REC6AH-W0078-00
F15A, AE, AM, EL, MH	65P1>65P5	1998-07	REC63V-44352-01	REC63V-44322-00	REC63V-44323-00	REC63V-44301-00	REC93210-44398	PAF15-06060004	REC664-44338-00	REC63V-W0078-01
F15	6DN1>6DN6	2006-11	REC63V-44352-01	REC63V-44322-00	REC68T-44323-00		REC93210-49046	REC6L2-44367-00	REC664-44338-00	
F15CE, CM, CW, EL, MH	6AH1>6AH9 6AHA	2007-15	REC63V-44352-01	REC63V-44322-00				PAF25-04050004	REC664-44338-00	REC6AH-W0078-00
F20AE	65W>65W9	2003-06	REC6H4-44352-02	REC61N-44322-00	REC61N-44323-00	PAF25-04050001	PAF25-04050003	PAF25-04050004	REC90280-03024	REC61N-W0078-11
F20DET	6BP1>6BP8	2011-15	REC6H4-44352-02	REC61N-44322-00	REC61N-44323-00	PAF25-04050001	PAF25-04050003	PAF25-04050004	REC90280-03024	REC61N-W0078-11
F20B, BE, BM, BW, EL, MH		2007-15	REC63V-44352-01	REC63V-44322-00				PAF25-04050004	REC664-44338-00	REC6AH-W0078-00
F25A, AE, AM, AW, EL, MH		1998-09	REC6H4-44352-02	REC61N-44322-00	REC61N-44323-00	PAF25-04050001	PAF25-04050003	PAF25-04050004	REC90280-03024	REC61N-W0078-11
F25DE, DM, MH	6BT1>6BT8	2009-215	REC6H4-44352-02	REC61N-44322-00	REC61N-44323-00	PAF25-04050001	PAF25-04050003	PAF25-04050004	REC90280-03024	REC61N-W0078-11
T25	66W>66W1	2001-06, 2009	REC6H4-44352-02	REC63D-44322-00	REC66T-44323-00	REC66T-44311-00	REC93210-59MG7		REC90280-03M03	REC66T-W0078-00
F30	60K1	2001-05	REC6H4-44352-02	REC63D-44322-00	REC66T-44323-00	REC66T-44311-00	REC93210-59MG7		REC90280-03M03	REC66T-W0078-00
F30BE		2009-15	REC6H4-44352-02	REC63D-44322-00	REC63D-44323-00	REC66T-44311-00	REC93210-59MG7	REC663-44366-00	REC90280-03M03	REC6BG-W0078-00
F40 A, ELH	6BG1>6BG8 6AK1>6AK9 6AKA>6AKB	1999-02	REC6H3-44352-00	REC63D-44322-00	REC63D-44323-00		REC93210-59MG7		REC90280-03024	REC63D-W0078-01
F40 CET		2002	REC6H3-44352-00	REC63D-44322-00	REC63D-44323-00		REC93210-59MG7		REC90280-03024	REC63D-W0078-01
F40	6CY1>6CY6	2000-08	REC6H4-44352-02	REC63D-44322-00	REC66T-44323-00	REC66T-44311-00	REC93210-59MG7		REC90280-03M03	REC66T-W0078-00
F40FE	62Y	2009-15	REC6H4-44352-02	REC63D-44322-00	REC63D-44323-00	REC66T-44311-00	REC93210-59MG7	REC663-44366-00	REC90280-03M03	REC6BG-W0078-00
F40D, DE, HE	62Y	2006-15	REC6H3-44352-00	REC63D-44322-00	REC63D-44323-00		REC93210-59MG7	REC663-44366-00	REC90280-03024	REC63D-W0078-01
F40GET	62Y>62Y6	2011-15	REC6H3-44352-00	REC63D-44322-00				REC663-44366-00	REC90280-03M03	REC6CJ-W0078-00
F45 AET	60A3 60AA	1999	REC6H4-44352-02	REC61N-44322-00	REC61N-44323-00	PAF25-04050001	PAF25-04050003	PAF25-04050004	REC90280-03024	REC61N-W0078-11
F50TJR	6C11>6C19	2003	REC6H4-44352-02	REC61N-44322-00	REC61N-44323-00	PAF25-04050001	PAF25-04050003	PAF25-04050004	REC90280-03024	REC61N-W0078-11
F50 A, AE, T, TJ, TL	6C1A>6C1C	1997-07	REC6H3-44352-00	REC63D-44322-00	REC63D-44323-00		REC93210-59MG7	REC663-44366-00	REC90280-03024	REC63D-W0078-01
F50 DETL	64J	1995-10	REC6H3-44352-00	REC63D-44322-00	REC63D-44323-00		REC93210-59MG7	REC663-44366-00	REC90280-03024	REC63D-W0078-01
F50F, FE, TR, TL		2005-12	REC6H3-44352-00	REC63D-44322-00	REC63D-44323-00		REC93210-59MG7	REC663-44366-00	REC90280-03024	REC63D-W0078-01
F50 HED	69W1>69W6	2013-15	REC6H3-44352-00	REC63D-44322-00	REC63D-44323-00		REC93210-59MG7	REC663-44366-00	REC90280-03024	REC63D-W0078-01
FT50B, T50TLR	6C51>6C59	1997-99	REC6H3-44352-00	REC63D-44322-00	REC63D-44323-00		REC93210-59MG7	REC663-44366-00	REC90280-03024	REC63D-W0078-01
T50	6C5A>6C5C	1996+	REC6H3-44352-00	REC663-44322-00	REC6H3-44323-00		REC6H3-44315-00		REC90280-03024	REC6H3-W0078-02
F60 AE, TL, TJ		2002-07	REC6H3-44352-00	REC63D-44322-00	REC63D-44323-00		REC6H3-44315-00	REC663-44366-00	REC90280-03M03	REC63D-W0078-01
F60 A, C, CET, TR, TJR	6CJ1>6CJ6	2005-12	REC6H3-44352-00	REC63D-44322-00	REC63D-44323-00		REC6H3-44315-00	REC663-44366-00	REC90280-03M03	REC63D-W0078-01
F60 B, FET	6D61	2013-15	REC6H3-44352-00	REC63D-44322-00	REC63D-44323-00		REC6H3-44315-00	REC663-44366-00	REC90280-03M03	REC63D-W0078-01
T60	67G0>67G5 6D71>6D79 6D7A>6D7C	2003-11	REC6H3-44352-00	REC663-44322-00	REC6H3-44323-00		REC6H3-44315-00		REC90280-03M03	REC6H3-W0078-02
F70A, AET		2011-15	REC6H3-44352-00					REC663-44366-00	REC90280-03M03	REC6CJ-W0078-00
F75BET, TR, TLR		2005	REC67F-44352-00	REC67F-44322-00	REC67F-44323-00	REC67F-44311-01	REC688-44315-00		REC90280-04M04	REC67F-W0078-00
F80A, AET, TLR, TJR	67F>67F5	1999-03	REC67F-44352-00	REC67F-44322-00	REC67F-44323-00	REC67F-44311-01	REC688-44315-00		REC90280-04M04	REC67F-W0078-00
F80B, BET	6D91>6D99 6D9A>6D9C	2005-15	REC67F-44352-00	REC67F-44322-00	REC67F-44323-00	REC67F-44311-01	REC688-44315-00		REC90280-04M04	REC67F-W0078-00

MODELO MODEL MODELLO	CÓD. MOD. MODEL COD. MOD.	DESDE FROM DELL' ANNO	IMPULSOR IMPELLER GIRANTE	ACOPLE INOX. CUP BOCCOLA INOX.	TAPA BOMBA PLATE PIASTRA POMPA	CUERPO BOMBA HOUSING CORPO POMPA	JUNTA GASKET GUARNIZIONE	RETÉN TUBO FLECTOR TENUTA	CHAVETA KEY CHIAVETA	KIT REP. BOMBA WATER PUMP KIT KIT RICAMBI
F90	68V, 68V0, 68W0	2003-11	REC67F-44352-00	REC67F-44322-00	REC67F-44323-00	REC67F-44311-01	REC688-44315-00		REC90280-04M04	REC67F-W0078-00
F100A, AET, TLR, TRZ		1999-06	REC67F-44352-00	REC67F-44322-00	REC67F-44323-00	REC67F-44311-01	REC688-44315-00		REC90280-04M04	REC67F-W0078-00
F100DET	68V, 68V0, 68W0	2005-15	REC67F-44352-00	REC67F-44322-00	REC67F-44323-00	REC67F-44311-01	REC688-44315-00		REC90280-04M04	REC67F-W0078-00
F115A (68V/68W0)		2000-01	REC6E5-44352-01	REC61A-44322-02	REC6E5-44323-00-40	REC6E5-44311-00	REC93210-86M38	REC6E5-44366-00	REC90280-04M05	REC6N6-W0078-02
F115TLR (68V)	68V1>68V9 68VA>68VF	2000	REC6E5-44352-01	REC61A-44322-02	REC6E5-44323-00-40	REC6E5-44311-00	REC93210-86M38	REC6E5-44366-00	REC90280-04M05	REC6N6-W0078-02
F115TLR/ TRZ/ TXR	68W1>68W9 68WA>68WF	2000-01	REC6E5-44352-01	REC61A-44322-02	REC6E5-44323-00-40	REC6E5-44311-00	REC93210-86M38	REC6E5-44366-00	REC90280-04M05	REC6N6-W0078-02
LF115TXR (68W/68W0)	6EK1>6EK2 6EL1>6EL2	2000-01	REC6E5-44352-01	REC61A-44322-02	REC6E5-44323-00-40	REC6E5-44311-00	REC93210-86M38	REC6E5-44366-00	REC90280-04M05	REC6N6-W0078-02
F115A, AET, TJR	6EM1	2002-15	REC6E5-44352-01	REC61A-44322-02	REC68V-44323-00	REC61A-44311-00	REC93210-86M38	REC6E5-44365-00	REC90280-04M05	REC68V-W0078-00
LF/FL115A, AET, TX, TR, B, BET		2002-15	REC6E5-44352-01	REC61A-44322-02	REC68V-44323-00	REC61A-44311-00	REC93210-86M38	REC6E5-44365-00	REC90280-04M05	REC68V-W0078-00
F/FL/FL115B, BET		2014-15	REC6E5-44352-01	REC61A-44322-02	REC68V-44323-00	REC61A-44311-00	REC93210-86M38	REC6E5-44365-00	REC90280-04M05	REC68V-W0078-00
F130A, AET		2015	REC6E5-44352-01	REC61A-44322-02	REC68V-44323-00	REC61A-44311-00	REC93210-86M38	REC6E5-44365-00	REC90280-04M05	REC68V-W0078-00
F150/FL150		2004-12	REC6E5-44352-01	REC61A-44322-02	REC6G5-44323-00	REC61A-44311-00	REC93210-86M38	REC6E5-44365-00	REC90280-04M05	REC61A-W0078-A2
F200/FL200		2002-11	REC6E5-44352-01	REC61A-44322-02	REC6G5-44323-00	REC61A-44311-00	REC93210-86M38	REC6E5-44365-00	REC90280-04M05	REC61A-W0078-A2
VF200	6BB2>6BB9 6CL1>6CL4 6CM1>6CM4	2009-11	REC6E5-44352-01	REC61A-44322-02		REC61A-44311-00	REC93210-86M38	REC6E5-44365-00		
F225/FL225		2002-10	REC6E5-44352-01	REC61A-44322-02	REC6G5-44323-00	REC61A-44311-00	REC93210-86M38	REC6E5-44365-00	REC90280-04M05	REC61A-W0078-A2
F225/FL225		2007-09 (20")	REC6E5-44352-01	REC61A-44322-02	REC6P2-44323-00	REC61A-44311-00	REC93210-86M38	REC6E5-44365-00	REC90280-04M05	REC6P2-W0078-00
F225CET		2009-15	REC6E5-44352-01	REC61A-44322-02	REC6P2-44323-00	REC61A-44311-00	REC93210-86M38	REC6E5-44365-00	REC90280-04M05	REC6P2-W0078-00
LF/FL/ F225CA, FET	6BR1>6BR3 6BS1>6BS3	2011-13	REC6CE-44352-00							REC6CE-W0078-00
VF225	6P2A 6P23>6P29	2009-11	REC6E5-44352-01	REC61A-44322-02		REC61A-44311-00	REC93210-86M38	REC6E5-44365-00		
F250/FL250	6P33>6P39	2005	REC6E5-44352-01	REC61A-44322-02	REC6G5-44323-00	REC61A-44311-00	REC93210-86M38	REC6E5-44365-00	REC90280-04M05	REC61A-W0078-A2
FL/F250BET	6CG1>6CG4 6CH1>6CH4	2001-11	REC6E5-44352-01	REC61A-44322-02	REC6P2-44323-00	REC61A-44311-00	REC93210-86M38	REC6E5-44365-00	REC90280-04M05	REC6P2-W0078-00
F250A, AET, TR, TUR		2007-13	REC6E5-44352-01	REC61A-44322-02	REC6P2-44323-00	REC61A-44311-00	REC93210-86M38	REC6E5-44365-00	REC90280-04M05	REC6P2-W0078-00
LF/FL250A, AET, TR, TX	6CE1>6CE4 6CF1>6CF4	2007-12	REC6E5-44352-01	REC61A-44322-02	REC6P2-44323-00	REC61A-44311-00	REC93210-86M38	REC6E5-44365-00	REC90280-04M05	REC6P2-W0078-00
LF/FL/ F250CA, DET	6BJ1>6BJ4 6BK1>6BK4	2011-13	REC6CE-44352-00							REC6CE-W0078-00
VF250	6AW1>6AW9	2009-10	REC6E5-44352-01	REC61A-44322-02		REC61A-44311-00	REC93210-86M38	REC6E5-44365-00	REC90280-04M05	
F300/ FL300BET, CA	GAX1>6AX9	2011-13	REC6CE-44352-00							REC6CE-W0078-00
F300/ FL300AET		2008-11	CEF500389N							REC6AW-W0078-00
F350AET, CB, TRG, TUR		2008-15	CEF500389N							REC6AW-W0078-00
LF/FL350AET, CB, TRG, TUR		2008-15	CEF500389N							REC6AW-W0078-00



GUÍA BOMBAS AGUA WATER PUMP GUIDE GUIDA POMPA ACQUA

MODELO MODEL MODELLO	CÓD. MOD. MODEL COD. MOD.	DESDE FROM DELL' ANNO	IMPULSOR IMPELLER GIRANTE	ACOPLE INOX. CUP BOCCOLA INOX.	TAPA BOMBA PLATE PIASTRA POMPA	CUERPO BOMBA HOUSING CORPO POMPA	JUNTA GASKET GUARNIZIONE	RETÉN TUBO FLECTOR TENUTA	CHAVETA KEY CHIAVETA	KIT REP. BOMBA WATER PUMP KIT KIT RICAMBI
2B	6A1	1985-99	REC646-44352-01		REC646-44323-00					REC6A1-W0078-01
2B, MSHA	6A11>6A12 6F89	2002-10	REC646-44352-01		REC646-44323-00					
4AC, AS	6E0>6E1	1985-96	REC6E0-44352-00	REC6E0-44322-02	PAF4-03000015			PAF4-03000021		REC6E0-W0078-A2
5C, CS	6E3>6E4	1985-96	REC6E0-44352-00	REC6E0-44322-02	PAF4-03000015			PAF4-03000021		REC6E0-W0078-A2
6 D /DEM	6H8	1984-96	REC6G1-44352-00	REC6G1-44322-00	REC6G1-44323-00		REC6G1-44315-A0	REC647-44366-00	REC90280-03024	REC6G1-W0078-A1
6 J / C / CEM	6H6	1984-96	REC6G1-44352-00	REC6G1-44322-00	REC6G1-44323-00		REC6G1-44315-A0	REC647-44366-00	REC90280-03024	REC6G1-W0078-A1
8 N / J / C / CEM	6G1	1984-96	REC6G1-44352-00	REC6G1-44322-00	REC6G1-44323-00		REC6G1-44315-A0	REC647-44366-00	REC90280-03024	REC6G1-W0078-A1
9.9D	6E7	1984-95	REC682-44352-01	REC682-44322-00	REC682-44323-40	REC682-44300-01	REC682-44315-00	REC682-44365-00	REC90280-03024	REC682-W0078-A1
9.9F, FEM, FM, MH, MS	63V	1995-00	REC63V-44352-01	REC63V-44322-00	REC63V-44323-00	REC63V-44301-00	REC93210-44398	REC647-44366-00	REC664-44338-00	REC63V-W0078-01
13.5AWH	63V	1998	REC63V-44352-01	REC63V-44322-00	REC63V-44323-00	REC63V-44301-00	REC93210-44398	REC647-44366-00	REC664-44338-00	REC63V-W0078-01
15D	6E8	1984-95	REC682-44352-01	REC682-44322-00	REC682-44323-40	REC682-44300-01	REC682-44315-00	REC682-44365-00	REC90280-03024	REC682-W0078-A1
15F, FEM, MH, MS	63W	1995-00	REC63V-44352-01	REC63V-44322-00	REC63V-44323-00	REC63V-44301-00	REC93210-44398	REC647-44366-00	REC664-44338-00	REC63V-W0078-01
20D, DE, DM, MLH, MSH, DW	6L3>6L39	1998-11	REC6L2-44352-00	REC6L2-44322-00	REC6L2-44323-00		REC93210-45161	REC6L2-44367-00	PAF25-04000015	REC6L2-W0078-00
20C	6A9/ 6A90/ 6A91	1997-02	REC689-44352-02	REC689-W4432-01	REC689-44323-00	REC689-44311-00	REC689-44324-A0	REC689-44366-00	REC664-44338-00	REC689-W0078-A6
20CM	6A9	1992	REC689-44352-02	REC689-W4432-01	REC689-44323-00	REC689-44311-00	REC689-44324-A0	REC689-44366-00	REC664-44338-00	REC689-W0078-A6
25D	6950	2001	REC689-44352-02	REC689-W4432-01	REC689-44323-00	REC689-44311-00	REC689-44324-A0	REC689-44366-00	REC664-44338-00	REC689-W0078-A6
25		1984-85	REC689-44352-02	REC689-W4432-01	REC689-44323-00	REC689-44311-00	REC689-44324-A0	REC689-44366-00	REC664-44338-00	REC689-W0078-04
25D, N, NE, MLH, MSH, NMH	6L2>6L29	1998-10	REC6L2-44352-00	REC6L2-44322-00	REC6L2-44323-00		REC93210-45161	REC6L2-44367-00	PAF25-04000015	REC6L2-W0078-00
25NMH, NW, MH	6L2A>6L2F	2011-15	REC6L2-44352-00	REC6L2-44322-00	REC6L2-44323-00		REC93210-45161	REC6L2-44367-00	PAF25-04000015	REC6L2-W0078-00
25 J, JEO	6K9	1987-94	REC6H4-44352-02	REC663-44322-00	REC663-44323-00	REC663-44311-00	REC663-44315-A0	REC663-44366-00	REC90280-03024	REC6J8-W0078-A1
C25		1990-97	REC689-44352-02	REC689-W4432-01	REC689-44323-00	REC689-44311-00	REC689-44324-A0	REC689-44366-00	REC664-44338-00	REC689-W0078-A6
CV25		1990	REC689-44352-02	REC689-W4432-01	REC689-44323-00	REC689-44311-00	REC689-44324-A0	REC689-44366-00	REC664-44338-00	REC689-W0078-A6

YAMAHA

RECAMBIOS
MARINOS S.L.

MODELO MODEL MODELLO	CÓD. MOD. MODEL CODE COD. MOD.	DESDE FROM DELL' ANNO	IMPULSOR IMPELLER GIRANTE	ACOPLE INOX. CUP BOCCOLA INOC	TAPA BOMBA PLATE PIASTRA POMPA	CUERPO BOMBA HOUSING CORPO POMPA	JUNTA GASKET GUARNIZIONE	RETÉN TUBO FLECTOR TENUTA	CHAVETA KEY CHIAVETA	KIT REP. BOMBA WATER PUMP KIT KIT RICAMBI
30		1984-85	REC689-44352-02	REC689-W4432-01	REC689-44323-00	REC689-44311-00	REC689-44324-A0	REC689-44366-00	REC664-44338-00	REC689-W0078-04
30		1986	REC689-44352-02	REC689-W4432-01	REC689-44323-00	REC689-44311-00	REC689-44324-A0	REC689-44366-00	REC664-44338-00	REC689-W0078-A6
30D		1986-94	REC6H4-44352-02	REC663-44322-00	REC663-44323-00	REC663-44311-00	REC663-44315-A0	REC663-44366-00	REC90280-03024	REC682-W0078-A1
30D, DE, DMH	6J8	1986-94	REC6H4-44352-02	REC663-44322-00	REC663-44323-00	REC663-44311-00	REC663-44315-A0	REC663-44366-00	REC90280-03024	REC6J8-W0078-A1
C30		1990-92	REC689-44352-02	REC689-W4432-01	REC689-44323-00	REC689-44311-00	REC689-44324-A0	REC689-44366-00	REC664-44338-00	REC689-W0078-A6
C30		1993-97	REC6H4-44352-02	REC61N-44322-00	REC61N-44323-00	PAF25-04050001	PAF25-04050003	PAF25-04050004	REC90280-03024	REC61N-W0078-11
40		1984-87	REC6H4-44352-02	REC663-44322-00	REC663-44323-00	REC663-44311-00	REC663-44315-A0	REC663-44366-00	REC90280-03024	REC6H4-W0078-00
40		1988-94	REC6H4-44352-02	REC663-44322-00	REC663-44323-00	REC663-44311-00	REC663-44315-A0	REC663-44366-00	REC90280-03024	REC6H4-W0078-00
40		1995-05	REC6H3-44352-00	REC63D-44322-00	REC63D-44323-00	REC63D-44311-01	REC93210-59MG7	REC663-44366-00	REC90280-03024	REC63D-W0078-01
E40GMH (6F62)	6F62	2003	REC6F5-44352-00	REC676-44322-00	REC676-44323-00-40	REC676-44311-00	REC676-44315-00	REC663-44366-00	REC90280-04M00	REC6F5-W0078-A0
40GWH (6F62)	6F62	2003	REC6F5-44352-00	REC676-44322-00	REC676-44323-00-40	REC676-44311-00	REC676-44315-00	REC663-44366-00	REC90280-04M00	REC6F5-W0078-A0
C40		1990-91	REC6F5-44352-00	REC676-44322-00	REC676-44323-00-40	REC676-44311-00	REC676-44315-00	REC663-44366-00	REC90280-04M00	REC6F5-W0078-A0
C40		1992-97	REC6F5-44352-00	REC676-44322-00	REC676-44323-00-40	REC676-44311-00	REC676-44315-00	REC663-44366-00	REC90280-04M00	REC679-W0078-A1
40QE	6R6	1990	REC6F5-44352-00	REC676-44322-00	REC676-44323-00-40	REC676-44311-00	REC676-44315-00	REC663-44366-00	REC90280-04M00	REC679-W0078-A1
EK40JMH	6H95	2006	REC6F5-44352-00	REC676-44322-00	REC676-44323-00-40	REC676-44311-00	REC676-44315-00	REC663-44366-00	REC90280-04M00	REC679-W0078-A1
C40MLH	63B>63B2	2000-03	REC6H3-44352-00	REC63D-44322-00	REC63D-44323-00	REC63D-44311-01	REC93210-59MG7	REC663-44366-00	REC90280-03024	REC63D-W0078-01
C40T, TLRZ	63D>63D6	1996-03	REC6H3-44352-00	REC63D-44322-00	REC63D-44323-00	REC63D-44311-01	REC93210-59MG7	REC663-44366-00	REC90280-03024	REC63D-W0078-01
P40		1998	REC6H3-44352-00	REC63D-44322-00	REC63D-44323-00	REC63D-44311-01	REC93210-59MG7	REC663-44366-00	REC90280-03024	REC63D-W0078-01
40V, VE	63D>63D6	1996-03	REC6H3-44352-00	REC63D-44322-00	REC63D-44323-00	REC63D-44311-01	REC93210-59MG7	REC663-44366-00	REC90280-03024	REC63D-W0078-01
40V, VE, VEO, VES	63C>63C9 63CA>63CF	1997-15	REC6H3-44352-00	REC63D-44322-00	REC63D-44323-00	REC63D-44311-01	REC93210-59MG7	REC663-44366-00	REC90280-03024	REC63D-W0078-01
40V, VMH	63B>63BF	1995-15	REC6H3-44352-00	REC63D-44322-00	REC63D-44323-00	REC63D-44311-01	REC93210-59MG7	REC663-44366-00	REC90280-03024	REC63D-W0078-01
50		1984-87	REC6H4-44352-02	REC663-44322-00	REC663-44323-00	REC663-44311-00	REC663-44315-A0	REC663-44366-00	REC90280-03024	REC6H4-W0078-00
50		1988-94	REC6H4-44352-02	REC663-44322-00	REC663-44323-00	REC663-44311-00	REC663-44315-A0	REC663-44366-00	REC90280-03024	REC6H4-W0078-00
50HMD, H	62W,63G	1995-00	REC6H3-44352-00	REC63D-44322-00	REC63D-44323-00	REC63D-44311-01	REC93210-59MG7	REC663-44366-00	REC90280-03024	REC63D-W0078-01
50H, HEM, HWX/C50TLR	62X>62X5	2000-03	REC6H3-44352-00	REC63D-44322-00	REC63D-44323-00	REC63D-44311-01	REC93210-59MG7	REC663-44366-00	REC90280-03024	REC63D-W0078-01
C50		1998-01	REC6H3-44352-00	REC63D-44322-00	REC63D-44323-00	REC63D-44311-01	REC93210-59MG7	REC663-44366-00	REC90280-03024	REC63D-W0078-01
PRO 50		1987	REC6H4-44352-02	REC663-44322-00	REC663-44323-00	REC663-44311-00	REC663-44315-A0	REC663-44366-00	REC90280-03024	REC6H4-W0078-00
PRO 50		1988-90	REC6H4-44352-02	REC663-44322-00	REC663-44323-00	REC663-44311-00	REC663-44315-A0	REC663-44366-00	REC90280-03024	REC6H4-W0078-00
P50		1991-93	REC6H4-44352-02	REC663-44322-00	REC663-44323-00	REC663-44311-00	REC663-44315-A0	REC663-44366-00	REC90280-03024	REC6H4-W0078-00
P50		1995-96	REC6H3-44352-00	REC689-W4432-01	REC63D-44323-00	REC63D-44311-01	REC93210-59MG7	REC663-44366-00	REC90280-03024	REC63D-W0078-01
55B, BET, BM	697	1992-00	REC6H3-44352-00	REC663-44322-00	REC663-44323-00	REC663-44311-00	REC663-44315-A0	REC663-44366-00	REC90280-03M03	REC663-W0078-01
55B, BET, BM	6970>6971	1989	REC6H3-44352-00	REC663-44322-00	REC663-44323-00	REC663-44311-00	REC663-44315-A0	REC663-44366-00	REC90280-03M03	REC663-W0078-01
60		2001-03	REC6H3-44352-00	REC663-44322-00	REC6H3-44323-00		REC6H3-44315-00	REC663-44366-00	REC90280-03M03	REC6H3-W0078-02
60		2004-05	REC688-44352-03	REC688-44322-00	REC688-44323-00	REC688-44311-01	REC688-44315-00	REC663-44366-00	REC90280-04M04	REC692-W0078-02
C60		1996-01	REC6H3-44352-00	REC663-44322-00	REC6H3-44323-00		REC6H3-44315-00	REC663-44366-00	REC90280-03M03	REC6H3-W0078-02
E60		1995-96	REC6H3-44352-00	REC663-44322-00	REC6H3-44323-00		REC6H3-44315-00	REC663-44366-00	REC90280-03M03	REC6H3-W0078-02
E-60H/ E60HMH	6K5	1997-00	REC6H3-44352-00		REC6H3-44323-00		REC6H3-44315-00	REC663-44366-00	REC90280-03M03	REC6K5-W0078-01
P60		1991	REC6H3-44352-00	REC663-44322-00	REC6H3-44323-00		REC6H3-44315-00	REC663-44366-00	REC90280-03M03	REC6H3-W0078-02
P60		1992-99	REC6H3-44352-00	REC663-44322-00	REC6H3-44323-00		REC6H3-44315-00	REC663-44366-00	REC90280-03M03	REC6H3-W0078-02
70		1984-91	REC6H3-44352-00	REC663-44322-00	REC6H3-44323-00		REC6H3-44315-00	REC663-44366-00	REC90280-03M03	REC6H3-W0078-02
70		1992-03	REC6H3-44352-00	REC663-44322-00	REC6H3-44323-00		REC6H3-44315-00	REC663-44366-00	REC90280-03M03	REC6H3-W0078-02
70		2004-09	REC688-44352-03	REC688-44322-00	REC688-44323-00	REC688-44311-01	REC688-44315-00	REC663-44366-00	REC90280-04M04	REC692-W0078-02
C70		2000-01	REC6H3-44352-00	REC663-44322-00	REC6H3-44323-00		REC6H3-44315-00	REC663-44366-00	REC90280-03M03	REC6H3-W0078-02
C75		1994-99	REC688-44352-03	REC688-44322-00	REC688-44323-00	REC688-44311-01	REC688-44315-00	REC663-44366-00	REC90280-04M04	REC692-W0078-02
E75		1995-00	REC688-44352-03		REC688-44323-00	REC688-44311-01	REC688-44315-00	REC663-44366-00	REC90280-04M04	REC692-W0078-02
P75		1996-99	REC688-44352-03	REC688-44322-00	REC688-44323-00	REC688-44311-01	REC688-44315-00	REC663-44366-00	REC90280-04M04	REC692-W0078-02
75CETO, TLR	67P1>67P9	2003-2011	REC688-44352-03	REC688-44322-00	REC688-44323-00	REC688-44311-01	REC688-44315-00	REC663-44366-00	REC90280-04M04	REC692-W0078-02
75CETO	67PA>67PE	2012-15	REC688-44352-03	REC688-44322-00	REC688-44323-00	REC688-44311-01	REC688-44315-00	REC663-44366-00	REC90280-04M04	REC692-W0078-02
75A, AE	692>692B 692A>692C	1997-07	REC688-44352-03	REC688-44322-00	REC688-44323-00	REC688-44311-01	REC688-44315-00	REC663-44366-00	REC90280-04M04	REC692-W0078-02
80A, AEO, AEM	6H0>6H01	1997-02	REC688-44352-03	REC688-44322-00	REC688-44323-00	REC688-44311-01	REC688-44315-00	REC663-44366-00	REC90280-04M04	REC692-W0078-02
C80		1997	REC688-44352-03	REC688-44322-00	REC688-44323-00	REC688-44311-01	REC688-44315-00	REC663-44366-00	REC90280-04M04	REC692-W0078-02
85A, AED, AET	688>6882	1997-03	REC688-44352-03	REC688-44322-00	REC688-44323-00	REC688-44311-01	REC688-44315-00	REC663-44366-00	REC90280-04M04	REC692-W0078-02
85A	688	1990	REC682-44352-01	REC682-44322-00	REC682-44323-40	REC682-44300-01	REC682-44315-00	REC663-44366-00	REC90280-03024	REC682-W0078-A1
C85		1989-97	REC688-44352-03	REC688-44322-00	REC688-44323-00	REC688-44311-01	REC688-44315-00	REC663-44366-00	REC90280-04M04	REC692-W0078-02
CV85		1989-91	REC688-44352-03	REC688-44322-00	REC688-44323-00	REC688-44311-01	REC688-44315-00	REC663-44366-00	REC90280-04M04	REC692-W0078-02
90AEO	6H1	1992	REC682-44352-01	REC682-44322-00	REC682-44323-40	REC682-44300-01	REC682-44315-00	REC682-44365-00	REC90280-03024	REC682-W0078-A1
90A, AE, TR, TLR, FE, BET	6H1>6H39 6H1A>6H3F 6H2C>6H2J	1997-15	REC688-44352-03	REC688-44322-00	REC688-44323-00	REC688-44311-01	REC688-44315-00	REC663-44366-00	REC90280-04M04	REC692-W0078-02
B90		1997-99	REC688-44352-03	REC688-44322-00	REC688-44323-00	REC688-44311-01	REC688-44315-00	REC663-44366-00	REC90280-04M04	REC692-W0078-02
C90		1997-01	REC688-44352-03	REC688-44322-00	REC688-44323-00	REC688-44311-01	REC688-44315-00	REC663-44366-00	REC90280-04M04	REC692-W0078-02
100A/ AETO	64W	1996	REC6E5-44352-01	REC61A-44322-02	REC6E5-44323-00-40	REC61A-44311-00	REC6E5-44315-A0	REC6E5-44366-00	REC90280-04M05	REC6N6-W0078-02
100A/ TLR	64W/ 64W0	1997-01	REC6E5-44352-01	REC6E5-44322-00	REC6E5-44323-00-40	REC6E5-44311-00	REC93210-86M38	REC6E5-44366-00	REC90280-04M05	REC6N6-W0078-02
115B/ BE	6E5/ 6E50/ 6E51	1998-02	REC6E5-44352-01	REC6E5-44322-00	REC6E5-44323-00-40	REC6E5-44311-00	REC93210-86M38	REC6E5-44366-00	REC90280-04M05	REC6N6-W0078-02
115B/ BE/ BETO	6E5	1993-96	REC6E5-44352-01	REC61A-44322-02	REC6E5-44323-00-40	REC61A-44311-00	REC6E5-44315-A0	REC6E5-44366-00	REC90280-04M05	REC6N6-W0078-02
115BE (6E5)		1997	REC6E5-44352-01	REC6E5-44322-00	REC6E5-44323-00-40	REC6E5-44311-00	REC93210-86M38	REC6E5-44366-00	REC90280-04M05	REC6N6-W0078-02
115C (6N6) (6N61)		2000-02	REC6E5-44352-01	REC6E5-44322-00	REC6E5-44323-00-40	REC6E5-44311-00	REC93210-86M38	REC6E5-44366-00	REC90280-04M05	REC6N6-W0078-02
115CEO/ CETO	6N6	1993-96	REC6E5-44352-01	REC61A-44322-02	REC6E5-44323-00-40	REC61A-44311-00	REC6E5-44315-A0	REC6E5-44366-00	REC90280-04M05	REC6N6-W0078-02
115CET/ CETO/ TR/ TLR	6N6-6N69 6N6A-6N6E	1997-13	REC6E5-44352-01	REC6E5-44322-00	REC6E5-44323-00-40	REC6E5-44311-00	REC93210-86M38	REC6E5-44366-00	REC90280-04M05	REC6N6-W0078-02
115TRXZ (6N60)		2001	REC6E5-44352-01	REC6E5-44322-00	REC6E5-44323-00-40	REC6E5-44311-00	REC93210-86M38	REC6E5-44366-00	REC90280-04M05	REC6N6-W0078-02
C115-115TLR	6N6/6E5	1998-00	REC6E5-44352-01	REC6E5-44322-00	REC6E5-44323-00-40	REC6E5-44311-00	REC93210-86M38	REC6E5-44366-00	REC90280-04M05	REC6N6-W0078-02
C115		1991-92	REC6E5-44352-01	REC6E5-44322-00	REC6E5-4432					

MODELO MODEL MODELLO	CÓD. MOD. MODEL CODE COD. MOD.	DESDE FROM DELL' ANNO	IMPULSOR IMPELLER GIRANTE	ACOPLE INOX. CUP BOCCOLA INOC	TAPA BOMBA PLATE PIASTRA POMPA	CUERPO BOMBA HOUSING CORPO POMPA	JUNTA GASKET GUARNIZIONE	RETÉN TUBO FLECTOR TENUTA	CHAVETA KEY CHIAVETA	KIT REP. BOMBA WATER PUMP KIT KIT RICAMBI
C115		1993-96	REC6E5-44352-01	REC61A-44322-02	REC6E5-44323-00-40	REC61A-44311-00	REC93210-86M38	REC6E5-44366-00	REC90280-04M05	REC6N6-W0078-02
C115		1997-00	REC6E5-44352-01	REC61A-44322-02	REC6E5-44323-00-40	REC61A-44311-00	REC93210-86M38	REC6E5-44366-00	REC90280-04M05	REC6N6-W0078-02
P115 (62A)		1993-96	REC6E5-44352-01	REC61A-44322-02	REC6E5-44323-00-40	REC61A-44311-00	REC93210-86M38	REC6E5-44366-00	REC90280-04M05	REC6N6-W0078-02
115 (6N6/6E5)		1984-94	REC6E5-44352-01	REC61A-44322-02	REC6E5-44323-00-40	REC6E5-44311-00	REC93210-86M38	REC6E5-44366-00	REC90280-04M05	REC6N6-W0078-02
130 BETO	6N7/ 6N70/ 6N77	1997-07	REC6E5-44352-01	REC61A-44322-02	REC6E5-44323-00-40	REC6E5-44311-00	REC93210-86M38	REC6E5-44366-00	REC90280-04M05	REC6N6-W0078-02
130TLR	6N7	2000	REC6E5-44352-01	REC61A-44322-02	REC6E5-44323-00-40	REC6E5-44311-00	REC93210-86M38	REC6E5-44366-00	REC90280-04M05	REC6N6-W0078-02
L130BETO	6N4	1993-96	REC6E5-44352-01	REC61A-44322-02	REC6E5-44323-00-40	REC61A-44311-00	REC6E5-44315-A0	REC6E5-44366-00	REC90280-04M05	REC6N6-W0078-02
L130BETO	6N4/6N40	1997-01	REC6E5-44352-01	REC61A-44322-02	REC6E5-44323-00-40	REC6E5-44311-00	REC93210-86M38	REC6E5-44366-00	REC90280-04M05	REC6N6-W0078-02
130	6L1/6N7	1988-92	REC6E5-44352-01	REC6E5-44322-00	REC6E5-44323-00-40	REC6E5-44311-00	REC93210-86M38	REC6E5-44366-00	REC90280-04M05	REC6N6-W0078-02
130 BETO	6N7	1993-96	REC6E5-44352-01	REC61A-44322-02	REC6E5-44323-00-40	REC61A-44311-00	REC6E5-44315-A0	REC6E5-44366-00	REC90280-04M05	REC6N6-W0078-02
130 / L130		1997-01	REC6E5-44352-01	REC61A-44322-02	REC6E5-44323-00-40	REC61A-44311-00	REC93210-86M38	REC6E5-44366-00	REC90280-04M05	REC6N6-W0078-02
130		2002-04	REC6E5-44352-01	REC61A-44322-02	REC6E5-44323-00-40	REC61A-44311-00	REC93210-86M38	REC6E5-44366-00	REC90280-04M05	REC6N6-W0078-02
L130 (6L6/6N4)		1989-92	REC6E5-44352-01	REC6E5-44322-00	REC6E5-44323-00-40	REC6E5-44311-00	REC93210-86M38	REC6E5-44366-00	REC90280-04M05	REC6N6-W0078-02
L130 (6N4)		1993-96	REC6E5-44352-01	REC61A-44322-02	REC6E5-44323-00-40	REC61A-44311-00	REC93210-86M38	REC6E5-44366-00	REC90280-04M05	REC6N6-W0078-02
L150CETO	6R2 / 6R0	1992-95	REC6E5-44352-01	REC61A-44322-02	REC6G5-44323-00	REC61A-44311-00	REC93210-86M38	REC6E5-44366-00	REC90280-04M05	REC61A-W0078-A1
D150H	65N0-65N1	2001-02	REC6E5-44352-01	REC61A-44322-02	REC65N-44323-00	REC61A-44311-00	REC93210-86M38	REC6E5-44366-00	REC90280-04M05	REC65N-W0078-A1
150F/ S150FETO	64C	1996	REC6E5-44352-01	REC6E5-44322-00	REC6E5-44323-00-40	REC6E5-44311-00	REC93210-86M38	REC6E5-44366-00	REC90280-04M05	REC6G5-W0078-A1
150 (6R2)		1992-09	REC6E5-44352-01	REC61A-44322-02	REC6G5-44323-00	REC61A-44311-00	REC93210-86M38	REC6E5-44366-00	REC90280-04M05	REC61A-W0078-A1
L150FETO	64G	1996	REC6E5-44352-01	REC6E5-44322-00	REC6E5-44323-00-40	REC6E5-44311-00	REC93210-86M38	REC6E5-44366-00	REC90280-04M05	REC6G5-W0078-A1
L150 (6R0)		1992-99	REC6E5-44352-01	REC61A-44322-02	REC6G5-44323-00	REC61A-44311-00	REC93210-86M38	REC6E5-44366-00	REC90280-04M05	REC61A-W0078-A1
P150		1986-91	REC6E5-44352-01	REC6E5-44322-00	REC6E5-44323-00-40	REC6E5-44311-00	REC93210-86M38	REC6E5-44366-00	REC90280-04M05	REC6G5-W0078-A1
P150		1992-99	REC6E5-44352-01	REC61A-44322-02	REC6G5-44323-00	REC61A-44311-00	REC93210-86M38	REC6E5-44366-00	REC90280-04M05	REC61A-W0078-A1
150/ 175/ 200ETLN PRO V150(6J9) PRO V150(6N9)		1984	REC6E5-44352-01	REC6E5-44322-00	REC6E5-44323-00-40	REC6E5-44311-00	REC93210-86M38	REC6E5-44366-00	REC90280-04M05	REC6G5-W0078-A1
		1986-89	REC6E5-44352-01	REC6E5-44322-00	REC6E5-44323-00-40	REC6E5-44311-00	REC93210-86M38	REC6E5-44366-00	REC90280-04M05	REC6G5-W0078-A1
		1990	REC6E5-44352-01	REC6E5-44322-00	REC6E5-44323-00-40	REC6E5-44311-00	REC93210-86M38	REC6E5-44366-00	REC90280-04M05	REC6G5-W0078-A1
PX150		1999	REC6E5-44352-01	REC61A-44322-02	REC6G5-44323-00	REC61A-44311-00	REC93210-86M38	REC6E5-44366-00	REC90280-04M05	REC61A-W0078-A1
SX150		1999-04	REC6E5-44352-01	REC61A-44322-02	REC6G5-44323-00	REC61A-44311-00	REC93210-86M38	REC6E5-44366-00	REC90280-04M05	REC61A-W0078-A1
V150		2000-08	REC6E5-44352-01	REC61A-44322-02	REC6G5-44323-00	REC61A-44311-00	REC93210-86M38	REC6E5-44366-00	REC90280-04M05	REC61A-W0078-A1
VZ150		2001-09	REC6E5-44352-01	REC61A-44322-02	REC6G5-44323-00	REC61A-44311-00	REC93210-86M38	REC6E5-44366-00	REC90280-04M05	REC61A-W0078-A1
Z150/ LZ150		2001-05	REC6E5-44352-01	REC61A-44322-02	REC6G5-44323-00	REC61A-44311-00	REC93210-86M38	REC6E5-44366-00	REC90280-04M05	REC61A-W0078-A1
175 (6G5)		1984-91	REC6E5-44352-01	REC6E5-44322-00	REC6E5-44323-00-40	REC6E5-44311-00	REC93210-86M38	REC6E5-44366-00	REC90280-04M05	REC6G5-W0078-A1
175 BETO	6R3	1992-95	REC6E5-44352-01	REC61A-44322-02	REC6G5-44323-00	REC61A-44311-00	REC93210-86M38	REC6E5-44366-00	REC90280-04M05	REC61A-W0078-A1
175 DETO	64D	1996	REC6E5-44352-01	REC61A-44322-02	REC6G5-44323-00	REC61A-44311-00	REC93210-86M38	REC6E5-44366-00	REC90280-04M05	REC61A-W0078-A1
P175 (62H)		1994-99	REC6E5-44352-01	REC61A-44322-02	REC6G5-44323-00	REC61A-44311-00	REC93210-86M38	REC6E5-44366-00	REC90280-04M05	REC61A-W0078-A1
VZ175		2001-09	REC6E5-44352-01	REC61A-44322-02	REC6G5-44323-00	REC61A-44311-00	REC93210-86M38	REC6E5-44366-00	REC90280-04M05	REC61A-W0078-A1
Z175		2001-05	REC6E5-44352-01	REC61A-44322-02	REC6G5-44323-00	REC61A-44311-00	REC93210-86M38	REC6E5-44366-00	REC90280-04M05	REC61A-W0078-A1
200G	64M	1996	REC6E5-44352-01	REC61A-44322-02	REC6G5-44323-00	REC61A-44311-00	REC93210-86M38	REC6E5-44366-00	REC90280-04M05	REC61A-W0078-A1
200 FETO	64E	1996	REC6E5-44352-01	REC61A-44322-02	REC6G5-44323-00	REC61A-44311-00	REC93210-86M38	REC6E5-44366-00	REC90280-04M05	REC61A-W0078-A1
200 CETO	61H	1992-93	REC6E5-44352-01	REC61A-44322-02	REC61A-44323-00	REC61A-44311-00	REC93210-86M38	REC6E5-44366-00	REC90280-04M05	REC61A-W0078-A1
200 (6G6/6R4)		1984-91	REC6E5-44352-01	REC6E5-44322-00	REC6E5-44323-00-40	REC6E5-44311-00	REC93210-86M38	REC6E5-44366-00	REC90280-04M05	REC6G5-W0078-A1
200 BETO	6R4	1992-99	REC6E5-44352-01	REC61A-44322-02		REC61A-44311-00	REC93210-86M38	REC6E5-44366-00	REC90280-04M05	REC61A-W0078-A1
L200BETO	6R1	1992-95	REC6E5-44352-01	REC6E5-44322-00	REC6E5-44323-00-40	REC6E5-44311-00	REC93210-86M38	REC6E5-44366-00	REC90280-04M05	REC6G5-W0078-A1
L200 FETO	64H	1992-99	REC6E5-44352-01	REC61A-44322-02	REC6G5-44323-00	REC61A-44311-00	REC93210-86M38	REC6E5-44366-00	REC90280-04M05	REC61A-W0078-A1
LX200		1999-02	REC6E5-44352-01	REC61A-44322-02	REC6G5-44323-00	REC61A-44311-00	REC93210-86M38	REC6E5-44366-00	REC90280-04M05	REC61A-W0078-A1
P200		1991-99	REC6E5-44352-01	REC61A-44322-02	REC6G5-44323-00	REC61A-44311-00	REC93210-86M38	REC6E5-44366-00	REC90280-04M05	REC61A-W0078-A1
SX200		1999-05	REC6E5-44352-01	REC61A-44322-02	REC6G5-44323-00	REC61A-44311-00	REC93210-86M38	REC6E5-44366-00	REC90280-04M05	REC61A-W0078-A1
V200		1998-99	REC6E5-44352-01	REC61A-44322-02	REC6G5-44323-00	REC61A-44311-00	REC93210-86M38	REC6E5-44366-00	REC90280-04M05	REC61A-W0078-A1
VZ200		2001-04	REC6E5-44352-01	REC61A-44322-02	REC6G5-44323-00	REC61A-44311-00	REC93210-86M38	REC6E5-44366-00	REC90280-04M05	REC61A-W0078-A1
VZ200		2005-09	REC6E5-44352-01	REC61A-44322-02	REC60X-44323-00	REC61A-44311-00	REC93210-86M38	REC6E5-44366-00	REC90280-04M05	REC60X-W0078-00
Z200/ LZ200		2000-10	REC6E5-44352-01	REC61A-44322-02	REC6G5-44323-00	REC61A-44311-00	REC93210-86M38	REC6E5-44366-00	REC90280-04M05	REC61A-W0078-A1
V6 Special (6G7)		1984-86	REC6E5-44352-01	REC6E5-44322-00	REC6E5-44323-00-40	REC6E5-44311-00	REC93210-86M38	REC6E5-44366-00	REC90280-04M05	REC6G5-W0078-A1
V6 Excel (6K7)		1987-89	REC6E5-44352-01	REC6E5-44322-00	REC6E5-44323-00-40	REC6E5-44311-00	REC93210-86M38	REC6E5-44366-00	REC90280-04M05	REC6G5-W0078-A1
L225C/ CETO	62K	1994-95	REC6E5-44352-01	REC61A-44322-02	REC6G5-44323-00	REC61A-44311-00	REC93210-86M38	REC6E5-44366-00	REC90280-04M05	REC61A-W0078-A1
225 C	62J	1994-95	REC6E5-44352-01	REC61A-44322-02	REC6G5-44323-00	REC61A-44311-00	REC93210-86M38	REC6E5-44366-00	REC90280-04M05	REC61A-W0078-A1
225 DET / DETO	64F	1996	REC6E5-44352-01	REC61A-44322-02	REC6G5-44323-00	REC61A-44311-00	REC93210-86M38	REC6E5-44366-00	REC90280-04M05	REC61A-W0078-A1
225 BET / BETO (6R5)		1991-95	REC6E5-44352-01	REC61A-44322-02	REC6G5-44323-00	REC61A-44311-00	REC93210-86M38	REC6E5-44366-00	REC90280-04M05	REC61A-W0078-A1
225 (2.6L)		1992-97	REC6E5-44352-01	REC61A-44322-02	REC6G5-44323-00	REC61A-44311-00	REC93210-86M38	REC6E5-44366-00	REC90280-04M05	REC61A-W0078-A1
225 L/S (3.1L)		1994-99	REC6E5-44352-01	REC61A-44322-02	REC6G5-44323-00	REC61A-44311-00	REC93210-86M38	REC6E5-44366-00	REC90280-04M05	REC61A-W0078-A1
LX225/ SX225		2000-03	REC6E5-44352-01	REC61A-44322-02	REC6G5-44323-00	REC61A-44311-00	REC93210-86M38	REC6E5-44366-00	REC90280-04M05	REC61A-W0078-A1
V225		1998-99	REC6E5-44352-01	REC61A-44322-02	REC6G5-44323-00	REC61A-44311-00	REC93210-86M38	REC6E5-44366-00	REC90280-04M05	REC61A-W0078-A1
VX225		2000-04	REC6E5-44352-01	REC61A-44322-02	REC6G5-44323-00	REC61A-44311-00	REC93210-86M38	REC6E5-44366-00	REC90280-04M05	REC61A-W0078-A1
VZ225		2003-09	REC6E5-44352-01	REC61A-44322-02	REC60X-44323-00	REC61A-44311-00	REC93210-86M38	REC6E5-44366-00	REC90280-04M05	REC60X-W0078-00
250AET/ AETO/ L250A	61A/61B	1990-96	REC6E5-44352-01	REC61A-44322-02	REC6G5-44323-00	REC61A-44311-00	REC93210-86M38	REC6E5-44366-00	REC90280-04M05	REC61A-W0078-A1
250 LTD	61A	1990	REC6E5-44352-01	REC61A-44322-02	REC6G5-44323-00	REC61A-44311-00	REC93210-86M38	REC6E5-44366-00	REC90280-04M05	REC61A-W0078-A1
250 B	61A	1995	REC6E5-44352-01	REC61A-44322-02	REC6G5-44323-00	REC61A-44311-00	REC93210-86M38	REC6E5-44366-00	REC90280-04M05	REC61A-W0078-A1
250/ L250		1990-96	REC6E5-44352-01	REC61A-44322-02	REC6G5-44323-00	REC61A-44311-00	REC93210-86M38	REC6E5-44366-00	REC90280-04M05	REC61A-W0078-A1
L250 /S250		1997-99	REC6E5-44352-01	REC61A-44322-02	REC6G5-44323-00	REC61A-44311-00	REC93210-86M38	REC6E5-44366-00	REC90280-04M05	REC61A-W0078-A1
VX250		2002-04	REC6E5-44352-01	REC61A-44322-02	REC6G5-44323-00	REC61A-44311-00	REC93210-86M38	REC6E5-44366-00	REC90280-04M05	REC61A-W0078-A1
VZ250		2003-09	REC6E5-44352-01	REC61A-44322-02	REC60X-44323-00	REC61A-44311-00	REC93210-86M38	REC6E5-44366-00	REC90280-04M05	REC60X-W0078-00
Z300 /LZ300		2006	REC6E5-44352-01							

CUERPOS BOMBA WATER PUMP HOUSING CORPI POMPA

Ref.	R.O.
PAF2.6-03000014	69M-G4311-00

MOTORES / ENGINES / MOTORI
F2.5



Ref.	R.O.
PAF4-03000019	68D-G4311-01

MOTORES / ENGINES / MOTORI
F4



Ref.	R.O.
REC63V-44301-00	63V-44301-00-00

MOTORES / ENGINES / MOTORI
F6/8/15/9.9/13.5
T8/9.9
9.9F/FEM/MH/MSH/

FMH
13.5AWH
15F/FMH/MSH/MH



Ref.	R.O.
REC682-44300-01	682-44300-01

MOTORES / ENGINES / MOTORI
9.9D
15D
F8/F9.9
T9.9



Ref.	R.O.
REC689-44311-00	689-44311-03

MOTORES / ENGINES / MOTORI
20C/CM
25D/DE
30A



Ref.	R.O.
REC663-44311-02	663-44311-02-00

MOTORES / ENGINES / MOTORI
25B/BETO
40N/H/E
50G/GEO/GETO
50D
55B/BET

E55CMH
60FEO/FETO/FEDO
60BE/BEM/BET
70CE



Ref.	R.O.
PAF25-04050001	61N-44311-01

MOTORES / ENGINES / MOTORI
25V
30G
F20
F25



Ref.	R.O.
REC66T-44311-00	66T-44311-00

MOTORES / ENGINES / MOTORI
40X
E40X-MLH
F30/40

FT25
T25



Ref.	R.O.
REC63D-44311-01	63D-44311-00

MOTORES / ENGINES / MOTORI
40V/VM/VE/TLR
C40M-T
50H/HR-M/HM
F40/45/50/60



Ref.	R.O.
REC676-44311-00	676-44311-00

MOTORES / ENGINES / MOTORI
E40GM/JM
40GW/JW/G/QE/QWC



Ref.	R.O.
REC688-44311-01	688-44311-01

MOTORES / ENGINES / MOTORI
60FETO/TR
E60H-E-M
70BETO/TR
75CETO/TLR
E75B

75A/AE-T-M-D
80A/AE-O-T
85A/AE-D-T
90A/AETO/AEO/TLR



Ref.	R.O.
REC67F-44311-01	67F-44311-01-00

MOTORES / ENGINES / MOTORI
F80/100



Ref.	R.O.
REC61A-44311-00	6E5-44311-00

MOTORES / ENGINES / MOTORI

F80/100/115/150/200/225/250
150F/FET/TR/AET
Z150P/TXR
175D 200F/FETO/G/GETO
200AET
225B/DET/G
250GETO/AET
Z250DET/FET



COMPONENTES BOMBA AGUA
WATER PUMP COMPONENTS
COMPONENTI POMPA ACQUA

Ref.	R.O.
REC646-45323-00	646-44323-00

MOTORES / ENGINES / MOTORI

2B
2MSH
2BMH



Ref.	R.O.
PAF2.6-03000010	69M-G4323-00

MOTORES / ENGINES / MOTORI

F2.5



Ref.	R.O.
REC6L5-44323-00	6L5-44323-00

MOTORES / ENGINES / MOTORI

3A/AMH
3MSH



Ref.	R.O.
REC67F-44323-00	667F-44323-00

MOTORES / ENGINES / MOTORI

F75/F80/F100



Ref.	R.O.
REC68T-44323-00	68T-44323-00

MOTORES / ENGINES / MOTORI

F6
T8
F9.9
F20/6/9.9/8/13.5
T8/9.9



Ref.	R.O.
PAF15-06000007	63V-44323-00-00

MOTORES / ENGINES / MOTORI

9.9F/FMH/FEMH/MSH
F9.9/13.5/15
13.5AWH
15F/FM/MS



Ref.	R.O.
REC682-44323-00	682-44323-00

MOTORES / ENGINES / MOTORI

9.9/15D
F8
F9.9/T9.9



Ref.	R.O.
REC65N-44323-00	65N-44323-00

MOTORES / ENGINES / MOTORI

D150H



Ref.	R.O.
REC6H3-44323-00	6H3-44323-00-00

MOTORES / ENGINES / MOTORI

25B/BETO FT50
F45 60FE/TLR
50G/GE FT60
T50 T60
F50 70B/ETN/BE



Ref.	R.O.
PAF25-04000014	61N-44323-00

MOTORES / ENGINES / MOTORI

25B/BMH/30H E25A
E30HM 25VE-M
30G F20/F25



Ref.	R.O.
REC6L2-44323-00	6L2-44323-00

MOTORES / ENGINES / MOTORI

25N/NE/NEM/MLH/MSH/NMH
20D/DEO/DM/MSH/MLH



Ref.	R.O.
REC63D-44323-00	63D-44323-00-00

MOTORES / ENGINES / MOTORI

F30/40/45/50/60
40V/VE-M/Y/YE
C40MLH/T
T50
50H/HM-R



YAMAHA

RECAMBIOS
MARINOS S.L.

Ref.	R.O.
REC676-44323-00-40	676-44323-00

MOTORES / ENGINES / MOTORI
E40GMH/GW/JMH
40JWH/GWH
40QE/G/QM/QE-2/QWC



Ref.	R.O.
REC66T-44323-00	66T-44323-00

MOTORES / ENGINES / MOTORI
40X/E40X/MLH
40XW/XMH
F30/40/T25



Ref.	R.O.
REC663-44323-00	663-44323-00

MOTORES / ENGINES / MOTORI
50G/GEO/GETO FEDO
25Q/QEO/B 70BEO/BETO/BEMO/CE
55B/BE/BM 40N/H
30DET/DEO/DMH/ELH 50ETN/D/DE
60FEO 25J/JEO/JETO/ESH
FETO
25Q/QEO/E55CMH 40E/H
30DET/DEO/DMH/D 50D/DE
55B/BM/BET 25J/JEO/JETO/ESH



Ref.	R.O.
REC688-44323-00	688-44323-00-00

MOTORES / ENGINES / MOTORI
60FET/TR
75CETO/AED-T
70BET/TR
75A/AE-M/TLR/CETO/AED-T
E75B
80A/AET/TLR
85A/AE-D-T
90A/AET/ETN/TR



Ref.	R.O.
REC6E5-44323-00-40	6E5-44323-00

MOTORES / ENGINES / MOTORI
100A/AETO/TLR
115CET/A/B/BET
C115TLR
130BET
140AET/BET



Ref.	R.O.
REC68V-44323-00	6EK-44323-00

MOTORES / ENGINES / MOTORI
F115



Ref.	R.O.
REC6G5-44323-00	6G5-44323-01

MOTORES / ENGINES / MOTORI
F150/200/225 175D/DET/AET
Z150/175/250/300 200F/FET/GE
VZ200 225G
250AET/B/GET 200AET/BET
225C/CET/D/DET 150CET
150F/FET/AET 175BET



Ref.	R.O.
REC6P2-44323-00	6P2-44323-00

MOTORES / ENGINES / MOTORI
Z250
F225/F250



Ref.	R.O.
REC60X-44323-00	60X-44323-00

MOTORES / ENGINES / MOTORI
Z250
VZ250



KITS REPARACIÓN BOMBA AGUA WATER PUMP SERVICE KITS KIT RICAMBI POMPA ACQUA

Ref.	R.O.
REC682-W0078-A1	682-W0078-A1

MOTORES / ENGINES / MOTORI
9.9/15D
F8
F9.9



Ref.	R.O.
REC63V-W0078-01	63V-W0078-00

MOTORES / ENGINES / MOTORI
9.9F
13.5AWH
15F
F9.9
F15
F13.5



Ref.	R.O.
REC689-W0078-04	689-W0078-04

MOTORES / ENGINES / MOTORI
20CM



Ref.	R.O.
REC689-W0078-A6	689-W0078-A6

MOTORES / ENGINES / MOTORI

20C
25D



Ref.	R.O.
REC6L2-W0078-00	6L2-W0078-00

MOTORES / ENGINES / MOTORI

20NE/NEMO/N/MLH/MSH/NW/NMH/D
20D/DEO/DEM/MSH/DM/MLH
20MSH/DMH/DWO



Ref.	R.O.
REC6J8-W0078-A1	6J8-W0078-A1

MOTORES / ENGINES / MOTORI

25J/JEO
30D/DMH/DE



Ref.	R.O.
REC6J8-W0078-A2	6J8-W0078-A1

MOTORES / ENGINES / MOTORI

6J8-W0078-A2
25J/JEO
30D/DE/DMH



Ref.	R.O.
REC6H4-W0078-00	6H4-W0078-00

MOTORES / ENGINES / MOTORI

25Q/QEO
40N/H/HE
E48CMH
50D/DE/AETN
E55CMH



Ref.	R.O.
REC679-W0078-A1	679-W0078-00

MOTORES / ENGINES / MOTORI

40QE



Ref.	R.O.
REC6F5-W0078-00	6F5-W0078-00

MOTORES / ENGINES / MOTORI

E40GMH
40GWH



Ref.	R.O.
REC63D-W0078-01	63D-W0078-01

MOTORES / ENGINES / MOTORI

F40/45/50/60
40V/VMH/VETO/VMH
C40MLH/T/TLR
40VE/VEOVES
40Y/YETO
50H/HET/HMH



Ref.	R.O.
REC66T-W0078-00	66T-W0078-01

MOTORES / ENGINES / MOTORI

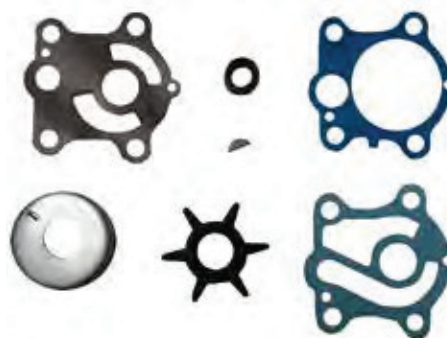
40X
E40X



Ref.	R.O.
REC663-W0078-A0	663-W0078-A0

MOTORES / ENGINES / MOTORI

55BET



Ref.	R.O.
REC6K5-W0078-01	6K5-W0078-01

MOTORES / ENGINES / MOTORI
E60HM
E-60H



Ref.	R.O.
REC6H3-W0078-02	6H3-W0078-00

MOTORES / ENGINES / MOTORI
60FE/FET/FEO/FETO
70AETN/B/BEH/BEO/CE



Ref.	R.O.
REC692-W0078-02	692-W0078-02

MOTORES / ENGINES / MOTORI
60TR/FETO 85A/AE/AED/AET/
75AED/AET AEM
75CETO/TLR/E75B 90A/AETO/AEMO/TLR
70BETO/TR C90TRZ
80A



Ref.	R.O.
REC692-W0078-00	692-W0078-00/01

MOTORES / ENGINES / MOTORI
60H/HMH
75CETO/TLR
E75B
80A
85A/AE/AET/AED
90A/AET/TR/TLR



Ref.	R.O.
REC67F-W0078-00	67F-W0078-00

MOTORES / ENGINES / MOTORI
F80/100



Ref.	R.O.
REC6N6-W0078-02	6N6-W0078-00

MOTORES / ENGINES / MOTORI
115B/BE/BET/CETO/TRX/CETO
130BET/TLR



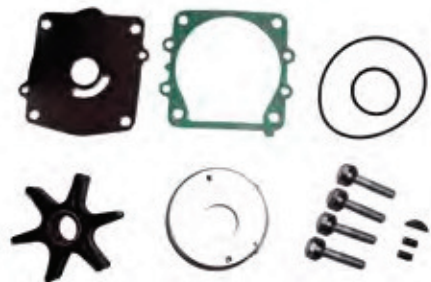
Ref.	R.O.
REC68V-W0078-00	68V-W0078-00

MOTORES / ENGINES / MOTORI
F115
FL115
LF115



Ref.	R.O.
REC6N6-W0078-02	6N6-W0078-02

MOTORES / ENGINES / MOTORI
115BE/CEO/CETO/A/ETN/BETO
130BETO
140AETO/BETO



Ref.	R.O.
REC65N-W0078-A1	65N-W0078-A1

MOTORES / ENGINES / MOTORI
D150H/N/NETOL



Ref.	R.O.
REC61A-W0078-A1	61A-W0078-01

MOTORES / ENGINES / MOTORI
250ETD/AETO/AET
150FETO
175FETO
200FETO



Ref.	R.O.
REC60X-W0078-00	60X-W0078-00

MOTORES / ENGINES / MOTORI
Z250FETO
V250TLR
Z300BETO
V300TLR

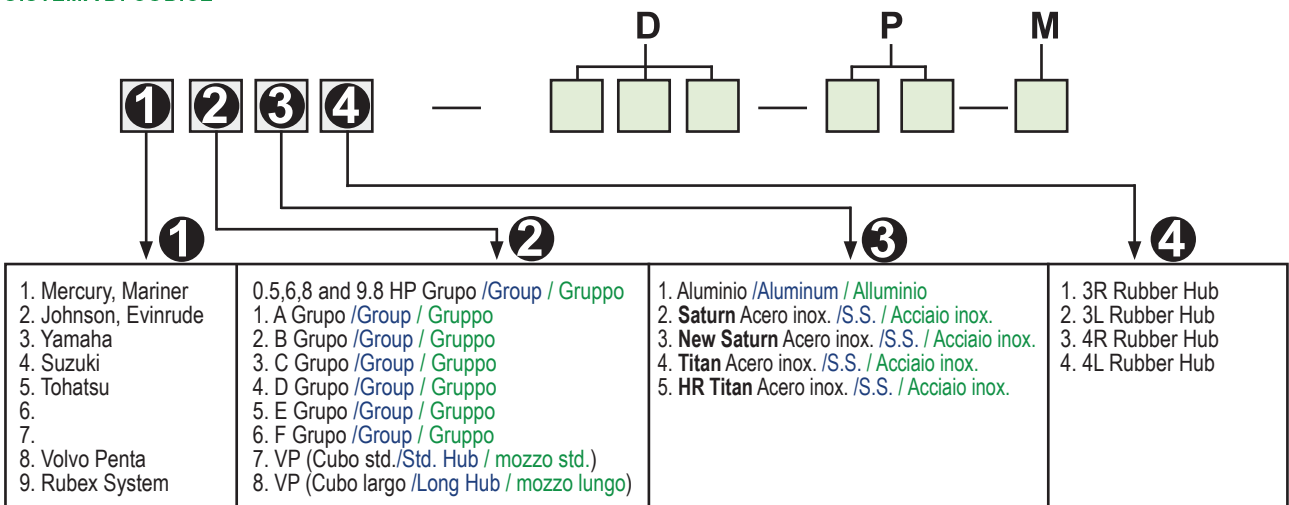


GUÍA KITS BOMBA AGUA WATER PUMP SERVICE KITS, GUIDE GUIDA KIT POMPA ACQUA

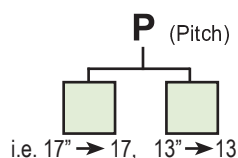
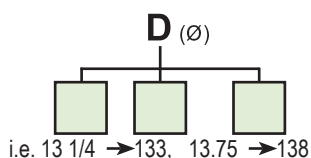
MODELO MODEL MODELLO	R.O. OEM.	SERIE SERIAL SERIE	CÓDIGO CODE CODICE	AÑO YEAR ANNO
REC6E0-W0078-A2	6E0-W0078-A2,-00,-01,-02	4AC/AS		1985-96
		5C/CS		1985-96
REC6AH-W0078-00	6AH-W0078-00	F9.9	6CA1 - 6AC9	2009-16
		F13.5	6AF1 - 6AF3	2007-09
		F15	6AG1 - 6AG9	2007-14
		F15	6AGA - 6AGB	2015-16
		F20	6AH1 - 6AH9	2007-14
		F20	6AHA - 6AHB	2015-16
REC6AW-W0078	6AW-W0078-00	F300	6BK1 - 6BK4	2008-11
		F300	6BJ1 - 6BJ4	2008-11
		F350	6AW1 - 6AW9	2008-15
REC6BG-W0078-00	6BG-W0078-00	F350	6AX1 - 6AX9	2008-15
		F30	6BT1 - 6BT9	2009-16
REC6CJ-W0078-00	6CJ-W0078-00	F40	6BG1 - 6BG9	2009-16
		F40	6CY1 - 6CY7	2011-16
REC6CE-W0078-00	6CE-W0078-00,-01	F70	6CJ1 - 6CJ7	2011-16
		F225	6CL1 - 6CL4	2011-13
		F225	6CM1 - 6CM4	2011-13
		F250	6CG1 - 6CG4	2011-13
		F250	6CH1 - 6CH4	2011-13
		F300	6CE1 - 6CE4	2011-13
		F300	6CF1 - 6CF4	2011-13

HÉLICES ALUMINO E INOXIDABLES DE 3 Y 4 PALAS 3 & 4 BLADE ALUMINUM & STAINLESS STEEL PROPELLERS ELICHE ALLUMINIO E INOX DA 3 E 4 PALE

SISTEMA CODIGO REFERENCIAS
PART NO. CODING SYSTEM
SISTEMA DI CODICE



Ejemplo / Note / Esempio



P 1, 2, 5 Pin Drive Propeller
Different Propeller Hub Fitting Spec.

SOLAS

AMITA 3

- Helices de aluminio de 3 palas con núcleo de goma de gran resistencia.
- 3 blade aluminum propeller with heavy duty rubber hub.
- Eliche di alluminio a 3 pale con mozzi in gomma ad alta resistenza.



SOLAS

LEXOR PROPELLER

- Helices de acero inoxidable de 3 palas.
- Gran diámetro del área de las palas para barcos pesados.
- Gran rendimiento en alta velocidad sin sacrificar las velocidades medias.
- Excelente ahorro de combustible.
- Three blade stainless steel propeller.
- Large diameter and blade area for big boat loads.
- Great high speed performance without sacrificing mid-range speeds.
- Excellent fuel economy.
- Eliche di acciaio inox a 3 pale.
- Grande diametro delle pale per imbarcazioni pesanti.
- Grandi prestazioni ad alta velocità senza sacrificare velocità medie.
- Eccellente risparmio di carburante.

SOLAS

AMITA 4

- Helices de aluminio de 4 palas con núcleo de goma de gran resistencia.
- Van muy suaves a poca velocidad y hace el barco muy manejable con la mar picada.
- 4 Blade aluminum propeller with heavy duty rubber hub.
- Smoother low speed makes the offshore boating activity much easier.
- Eliche di alluminio a 4 pale con mozzo in gomma ad alta resistenza.
- Molto morbido a bassa velocità e rende la barca molto maneggevole con mare cattivo.



SOLAS

NEW SATURN PROP

- Helices de acero inoxidable de 3 palas.
- Ofrece buena aceleración y rendimiento.
- Tamaño más pequeño que ofrece un diámetro extragrande.
- Three blade stainless steel propeller.
- Offers good acceleration & all-round performance.
- Smaller pitch sizes offered in extra large diameter with increased blade area.
- Eliche di acciaio inox a 3 pale.
- Buona accelerazione.
- Piccole dimensione che offre un più grande diametro.



GUÍA DE HÉLICES ALUMINO E INOXIDABLES DE 3 Y 4 PALAS 3 & 4 BLADE ALUMINUM & STAINLESS STEEL PROPELLERS APPLICATION GUIDA ELICHE ALLUMINIO E INOX DA 3 E 4 PALE

HP	R.O. OEM	B	D	P	R	TIPO TYPE	ALUMINIO ALUMINIUM ALLUMINIO		INOX STAINLESS STEEL					
							AMITA 3	AMITA 4	NEW SATURN	LEXOR	D	P	R	
2.5 HP	6L5-45949-00-EL	3	7,25	5	R	ALUM.	SOL3011-073-055S							
5 HP	6E0-45943-01-EL	3	7,50	7	R	ALUM.	SOL3011-075-075S							
9 Estrias 9 tooth spline 9 Scanature														
6.8 HP, F6, F8, F9.9	6G1-45947-00-EL	3	8 1/2	6 1/2	R	ALUM.	SOL3011-085-07							
7 Estrias 7 tooth spline 7 Scanature	6G1-45943-00-EL 6G1-45941-00-EL	3	8 1/2	7 1/2 8 1/2	R	ALUM.	SOL3011-085-08 SOL3011-085-09							
8 Pasador Pin drive Spinotto 8 HP (1976-1983)	647-45943-00-EL	3	8,25 9	8 7	R	ALUM.	SOL2011-083-07P SOL2011-083-08P							
9.9, 15, T8 F9.9 (2000-07) F15, F20 High Thrust	- 683-45947-00-EL 683-45945-00-EL 683-45942-00-EL 683-45943-00-EL	3		7 8 9 9 3/4 10 1/2	R	ALUM.	SOL3111-093-07 SOL3111-093-08 SOL3111-093-09 SOL3111-093-10 SOL3111-093-11							
8 Estrias 8 tooth spline 8 Scanature		3	9 1/4	12	R	ALUM.	SOL3111-093-12							

HP	R.O. OEM	B	D	P	R	TIPO TYPE	ALUMINIO ALUMINIUM ALLUMINIO		INOX STAINLESS STEEL								
							AMITA 3	AMITA 4	NEW SATURN	LEXOR	D	P	R				
20 (96-97)	664-45941-01-EL	3	9 7/8	9	R	ALUM.	SOL3211-099-09										
25 (80 +)	664-45945-00-EL	3	9 7/8	10	R	ALUM.	SOL3211-099-10										
30 (79 +)	664-45947-01-EL	3	9 7/8	1/2	R	ALUM.	SOL3211-099-11										
F25 all	664-45954-00-EL	3	9 7/8	11 1/4	R	ALUM.	SOL3211-099-12										
10 Estrías	664-45949-02-EL	3	9 7/8	12	R	ALUM.	SOL3211-099-13										
10 tooth spline	664-45972-00-98	3	10 3/4	13	R	SS				SOL3231-108-10							
10 Scalanuture	664-45970-00-98	3	10 1/2	10	R	SS				SOL3231-105-11							
	664-45970-00-98	3	10 1/4	11	R	SS				SOL3231-103-12							
	MAR-6YT30-02-12	3	10 1/8	12	R	SS				SOL3231-101-13							
40, 48	663-45956-01-EL	3	12 1/4	9	R	ALUM.	SOL3311-121-09										
50 (NO T50)	663-45947-02-EL	3	11 5/8	11	R	ALUM.	SOL3311-116-11										
55	663-45952-02-EL	3	11 3/4	12	R	ALUM.	SOL3311-114-12										
60 (-91)	663-45945-02-EL	3	11 1/8	13	R	ALUM.	SOL3311-111-13										
F40 (99+), F50 (99+)	663-45958-01-EL	3	11 1/4	14	R	ALUM.	SOL3311-111-14										
F60 (2002+)	663-45943-02-EL	3	11	15	R	ALUM.	SOL3311-110-15										
F30 (2001-05)	663-45949-01-EL	3	10 3/4	16	R	ALUM.	SOL3311-110-16										
13 Estrías	663-45941-01-EL	3	11	17	R	ALUM.	SOL3311-110-17										
13 tooth spline		3	11 7/8	10	R	SS				SOL3331-119-10							
13 Scalanuture		3	11 5/8	11	R	SS				SOL3331-116-11							
		3	11 3/8	12	R	SS				SOL3331-114-12							
		3	11 1/8	13	R	SS				SOL3331-111-13							
		3	11 1/8	14	R	SS				SOL3331-111-14							
40 HP		3	11 1/2	10	R	ALUM.	SOL3311-115-10-P										
Pasador		3	11 1/2	11	R	ALUM.	SOL3311-115-11-P										
Pin Drive		3	11 1/2	12	R	ALUM.	SOL3311-115-12-P										
Spinotto																	
60(92+), 70(84+)	6E5-45954-00-EL	3	14	11	R	ALUM.	SOL3411-140-11										
75(94+), 80(78-89)	6E5-45949-00-EL	3	13 5/8	13	R	ALUM.	SOL3411-138-13	SOL3413-133-13									
85(91-97), 90(84+)	6E5-45947-00-EL	3	13 1/8	13	L	ALUM.	SOL3412-138-13										
115(84+), 130(84+)	6E5-45947-00-EL	3	13 1/2	15	R	ALUM.	SOL3411-135-15	SOL3413-130-15									
F75(03+), F80(99+)	6E5-45945-00-EL	3	13 1/2	15	L	ALUM.	SOL3412-135-15										
F90(03+), F100(99+)	6E5-45945-00-EL	3	13 1/4	17	R	ALUM.	SOL3411-133-17	SOL3513-128-17									
F115(00+)	6E5-45941-00-EL	3	13 1/4	17	L	ALUM.	SOL3412-133-17										
T50(96+), T60(03+)	6E5-45941-00-EL	3	13	19	R	ALUM.	SOL3411-130-19	SOL3413-125-19									
15 Estrías	6E5-45943-00-EL	3	12 5/8	21	R	ALUM.	SOL3411-130-21	SOL3413-125-21									
15 tooth spline	688-45978-60-98	3	13 1/2	15	R	SS				SOL3431-135-15							
15 Scalanuture	688-45930-02-98	3	13	17	R	SS				SOL3431-133-17							
	688-45970-03-98	3	13	19	R	SS				SOL3431-130-19							
	688-45972-02-98	3	13	21	R	SS				SOL3431-130-21							
150(86+), 175(84+)	6G5-45941-00-98	3	15	15	R	ALUM.	SOL3511-150-15	SOL3513-148-15									
200(84+)	6G5-45952-00-98	3	15	15	L	ALUM.	SOL3512-150-15	SOL3514-148-15									
200VMAX(01+)	6G5-45947-01-98	3	14,8	17	R	ALUM.	SOL3511-148-17	SOL3513-145-17									
220(87-88)	6K1-45947-00-98	3	14,8	17	L	ALUM.	SOL3512-148-17	SOL3514-145-17									
225(86+)	6G5-45945-01-98	3	14,5	19	R	ALUM.	SOL3511-145-19	SOL3513-143-19									
250(90+)	6K1-45945-01-98	3	14,5	19	L	ALUM.	SOL3512-145-19	SOL3514-143-19									
225VMAX(01+)	6G5-45949-00-98	3	14,3	21	R	ALUM.	SOL3511-143-21	SOL3513-140-21									
300(04+),	-	3	14,3	21	L	ALUM.	SOL3512-143-21	SOL3514-140-21									
F150(04+)	6G5-45949-00-98	3	14,2	23	R	ALUM.	SOL3511-142-23										
F200(02+)	-	3	14,2	23	L	ALUM.	SOL3512-142-23										
F225(02+)	6G5-45941-00-98	3	15	15	R	SS				SOL3571-158-15	15 3/4	15	R				
F250(05+)	6G5-45952-00-98	3	15	15	L	SS				SOL3572-158-15	15 3/4	15	L				
F300(2003+)	6G5-45947-01-98	3	14,8	17	R	SS				SOL3571-155-17	15 1/2	17	R				
Cola dentro-fueraborda	6K1-45947-00-98	3	14,8	17	L	SS				SOL3572-155-17	15 1/2	17	L				
Intro-outboard drives	6G5-45945-01-98	3	14,5	19	R	SS				SOL3571-153-19	15 1/4	19	R				
Intro-Fuoribordo piede	6K1-45945-01-98	3	14,5	19	L	SS				SOL3572-153-19	15 1/4	19	L				
3.0L-7.4L	6G5-45949-00-98	3	14,3	21	R	SS				SOL3571-150-21	15	21	R				
	-	3	14,3	21	L	SS				SOL3572-150-21	15	21	L				
	6G5-45949-00-98	3	14,2	23	R	SS				SOL3571-148-23	14	23	R				
	-	3	14,2	23	L	SS				SOL3572-148-23	14	23	L				
										SOL3571-145-25	14	25	R				
										SOL3571-145-27	14	27	R				
	6G5-45970-02-98	3	15 1/4	15	R	SS				SOL3531-145-15							
	6K1-45970-01-98	3	15 1/4	15	L	SS				SOL3532-145-15							
	6G5-45978-03-98	3	13 3/4	17	R	SS				SOL3531-143-17							
	6K1-45978-02-98	3	13 3/4	17	L	SS				SOL3532-143-17							
	6G5-45974-03-98	3	13 3/4	19	R	SS				SOL3531-140-19							
	6K1-45974-02-98	3	13 3/4	19	L	SS				SOL3532-140-19							
	6G5-45972-02-98	3	13 3/4	21	R	SS				SOL3531-140-21							
	6K1-45972-01-98	3	13 3/4	21	L	SS				SOL3532-140-21							
	6G5-45976-01-98	3	13 3/8	23	R	SS				SOL3531-140-23							
	6K1-45976-00-98	3	13 3/8	23	L	SS				SOL3532-140-23							
	6G5-45930-00-98	3	13 3/8	25	R	SS											

B= PALAS / Blades / Pale
D= DIÁMETRO / Diametre / Diametro
P= PASO / Pich / Passo

R=ROTACIÓN / Rotation / Rotazione
(R) Derecha / Right / DX
(L) Izquierda / Left / SX

YAMAHA

RECAMBIOS
MARINOS S.L.

GUÍA DE NÚCLEOS HUB KIT APPLICATION CHAST GUIDA MOZZI



RUBEX

MODELO MODEL MODELLO	REF. KIT	MODELO HÉLICE PROPELLER TYPE MODELLO ELUCHE
F30 (4-Stroke) (2001-05); 40HP & 50HP (not T50), (1984+) 48HP (1995+); 55HP 1976-95; F40 (4-Stroke) (1999+); F50 (4-Stroke) (1995+); 60hp (1976-91); F60 (4-Stroke) (1999+) 13 Estrias / tooth spline / Scalanature	SOLRBX-117	C
T50 (1996-present) 15 Estrias / tooth spline / Scalanature	SOLRBX-108	D
60-100HP, including 4-stroke, (1984-present) 15 Estrias / tooth spline / Scalanature	SOLRBX-108	D
80-140HP, (1978-1983) 15 Estrias / tooth spline / Scalanature	SOLRBX-102	D
115HP, FS115, (4stroke), and 130HP, (1984-present) 15 Estrias / tooth spline / Scalanature	SOLRBX-103	D
150-175HP, (1978-1983) 15 Estrias / tooth spline / Scalanature	SOLRBX-102	E
150-300HP, (1984-present) 15 Estrias / tooth spline / Scalanature	SOLRBX-103	E
225 EFI (4stroke) 15 Estrias / tooth spline / Scalanature	SOLRBX-103	E
F300, F350 (300, 350HP, 4stroke V8 engine) 17 Estrias / tooth spline / Scalanature	SOLRBX-127	E+
Sterndrives, (1989-1993) 15 Estrias / tooth spline / Scalanature	SOLRBX-103	E

GUÍA HÉLICES ALUMINIO PROPELLERS ALUMINUM CHART GUIDA ELICHE ALLUMINIO

Modelo / Model / Modello C 30-75 H.P. 3 PALAS / 3 BLADE / 3 PALE					
B	D	P	R	Ref.	
3	12.1	9	R	SOL9311-121-09	
3	12	10	R	SOL9311-120-10	
3	11.6	11	R	SOL9311-116-11	
3	11.4	12	R	SOL9311-114-12	
3	11.1	13	R	SOL9311-111-13	
3	11.1	14	R	SOL9311-111-14	
3	11	15	R	SOL9311-110-15	

Modelo / Model / Modello E 135-350 H.P. 3 PALAS / 3 BLADE / 3 PALE					
B	D	P	R	Ref.	
3	15.5	11	R	SOL9511-155-11	
3	15.3	13	R	SOL9511-153-13	
3	16	13	R	SOL9511-160-13	
3	15	15	R	SOL9511-150-15	
3	15	15	L	SOL9511-150-15	
3	14.8	17	R	SOL9511-148-17	
3	14.8	17	L	SOL9511-148-17	
3	14.5	19	R	SOL9511-145-19	
3	14.5	19	L	SOL9511-145-19	
3	14.3	21	R	SOL9511-143-21	
3	14.3	21	L	SOL9511-143-21	

Modelo / Model / Modello D 40-14 H.P. 3 PALAS / 3 BLADE / 3 PALE					
B	D	P	R	Ref.	
3	14	9	R	SOL9411-140-09	
3	14	11	R	SOL9411-140-11	
3	13.75	13	R	SOL9411-138-12	
3	13.5	15	R	SOL9411-135-15	
3	13.25	17	R	SOL9411-133-17	
3	13.2	19	R	SOL9411-132-19	
3	13.2	21	R	SOL9411-132-21	

RUBEX



Hélice de aluminio con núcleo intercambiable (no incluido).
Aluminium interchangeable hub propellers (not included).
Eliche in alluminio con mozzo intercambiabile (non incluso).

GUÍA HÉLICES INOX. STAINLESS STEEL PROPELLERS APPLICATION CHART GUIDA ELICHE INOX

Modelo / Model / Modello **C** 30-75 H.P. 3 PALAS / 3 BLADE / 3 PALE

B	D	P	R	Ref.
3	11 5/8	11	R	SOL9331-116-11
3	11 3/8	12	R	SOL9331-114-12
3	11 1/8	13	R	SOL9331-111-13
3	11 1/8	14	R	SOL9331-111-14
3	11	15	R	SOL9331-110-15

Modelo / Model / Modello **D** 40-14 H.P. 3 PALAS / 3 BLADE / 3 PALE

B	D	P	R	Ref.
3	13 3/4	13	R	SOL9431-138-13
3	13 3/4	13	L	SOL9432-138-13
3	13 1/2	15	R	SOL9431-135-15
3	13 1/2	15	L	SOL9432-135-15
3	13 1/4	17	R	SOL9431-133-17
3	13 1/4	17	L	SOL9432-133-17
3	13	19	R	SOL9431-130-19
3	13	19	L	SOL9432-130-19
3	13	21	R	SOL9431-130-21

Modelo / Model / Modello **E** 90-140 H.P. 3 PALAS / 3 BLADE / 3 PALE

B	D	P	R	Ref.
3	14 1/2	15	R	SOL9531-145-15
3	14 1/2	15	L	SOL9532-145-15
3	14 1/4	17	R	SOL9531-143-17
3	14 1/4	17	L	SOL9532-143-17
3	14	19	R	SOL9531-140-19
3	14	19	L	SOL9532-140-19
3	14	21	R	SOL9531-140-21
3	14	21	L	SOL9532-140-21
3	14	23	R	SOL9531-140-23
3	14	23	L	SOL9532-140-23

Modelo / Model / Modello **E** 135-350 H.P. 3 PALAS / 3 BLADE / 3 PALE

B	D	P	R	Ref.
3	15 3/4	15	R	SOL9571-158-15
3	15 3/4	15	L	SOL9572-158-15
3	15 1/2	17	R	SOL9571-155-17
3	15 1/2	17	L	SOL9572-155-17
3	15 1/4	19	R	SOL9571-153-19
3	15 1/4	19	L	SOL9572-153-19
3	15	21	R	SOL9571-153-21
3	15	21	L	SOL9572-153-21
3	14 3/4	23	R	SOL9571-148-23
3	14 3/4	23	L	SOL9572-148-23
3	14 1/2	25	R	SOL9571-145-25
3	14 1/2	25	L	SOL9572-145-25

RUBEX



Hélice de acero inox. con núcleo intercambiable (no incluido).
Stainless steel interchangeable hub propellers (not included).
Eliche di acciaio inox con mozzo intercambiabile (nonn incluso).

YAMAHA

**RECAMBIOS
MARINOS s.L.**